



US00D498519S

(12) **United States Design Patent**
Mayer

(10) **Patent No.:** **US D498,519 S**

(45) **Date of Patent:** **** Nov. 16, 2004**

(54) **LAVATORY CONSOLE**

D455,475 S * 4/2002 Jones et al. D23/286
D456,065 S 4/2002 Jones et al.

(75) **Inventor:** **Robert H. Mayer**, Delray Beach, FL (US)

* cited by examiner

(73) **Assignee:** **Deco Lav, Inc.**, Deerfield, FL (US)

Primary Examiner—Robert A. Delehanty
(74) *Attorney, Agent, or Firm*—Fleit, Kain, Gibbons, Gutman, Bongini & Bianco; Paul D. Bianco; Martin Fleit

(**) **Term:** **14 Years**

(57) **CLAIM**

(21) **Appl. No.:** **29/201,512**

The ornamental design for a lavatory console, as shown and described.

(22) **Filed:** **Mar. 16, 2004**

(51) **LOC (7) Cl.** **23-02**

(52) **U.S. Cl.** **D23/286**

(58) **Field of Search** D23/270–273,
D23/286, 303, 308; 4/662–666, 619, 630–631,
637–638, 654, 650–652, 661; D6/480, 484,
485, 436

DESCRIPTION

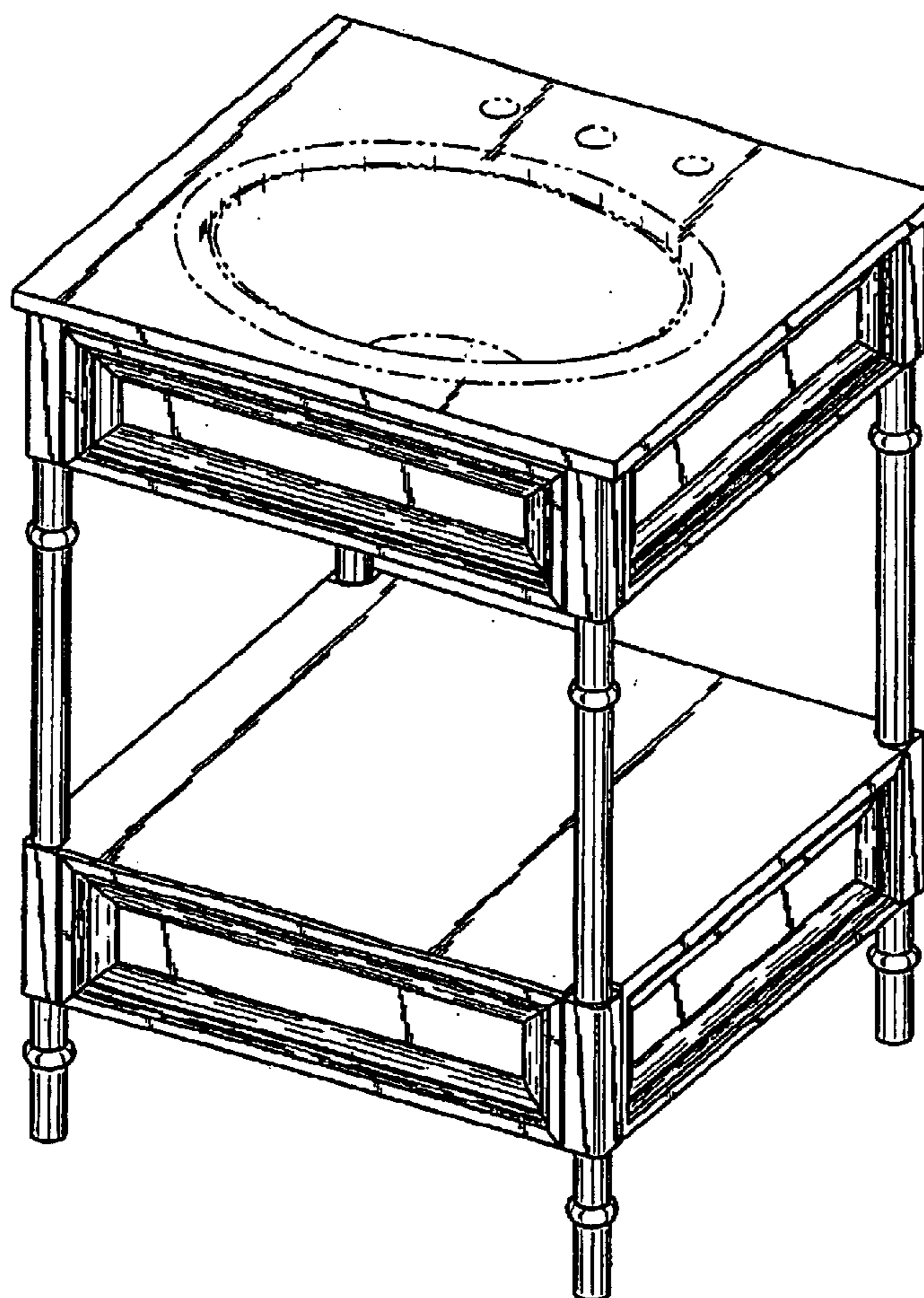
FIG. 1 is front perspective view of the lavatory console of the subject invention;
FIG. 2 is a front view thereof;
FIG. 3 is a rear view thereof;
FIG. 4 is a right side view thereof, the left side being a mirror image of the right side shown; and,
FIG. 5 is a top view thereof.
The broken line representations are for illustrative purposes only and form no part of the claimed design.

(56) **References Cited**

U.S. PATENT DOCUMENTS

D367,107 S 2/1996 Kohler D23/293.1
D372,820 S * 8/1996 Martin D6/484
D446,575 S 8/2001 Ferrer Beltran D23/292

1 Claim, 3 Drawing Sheets



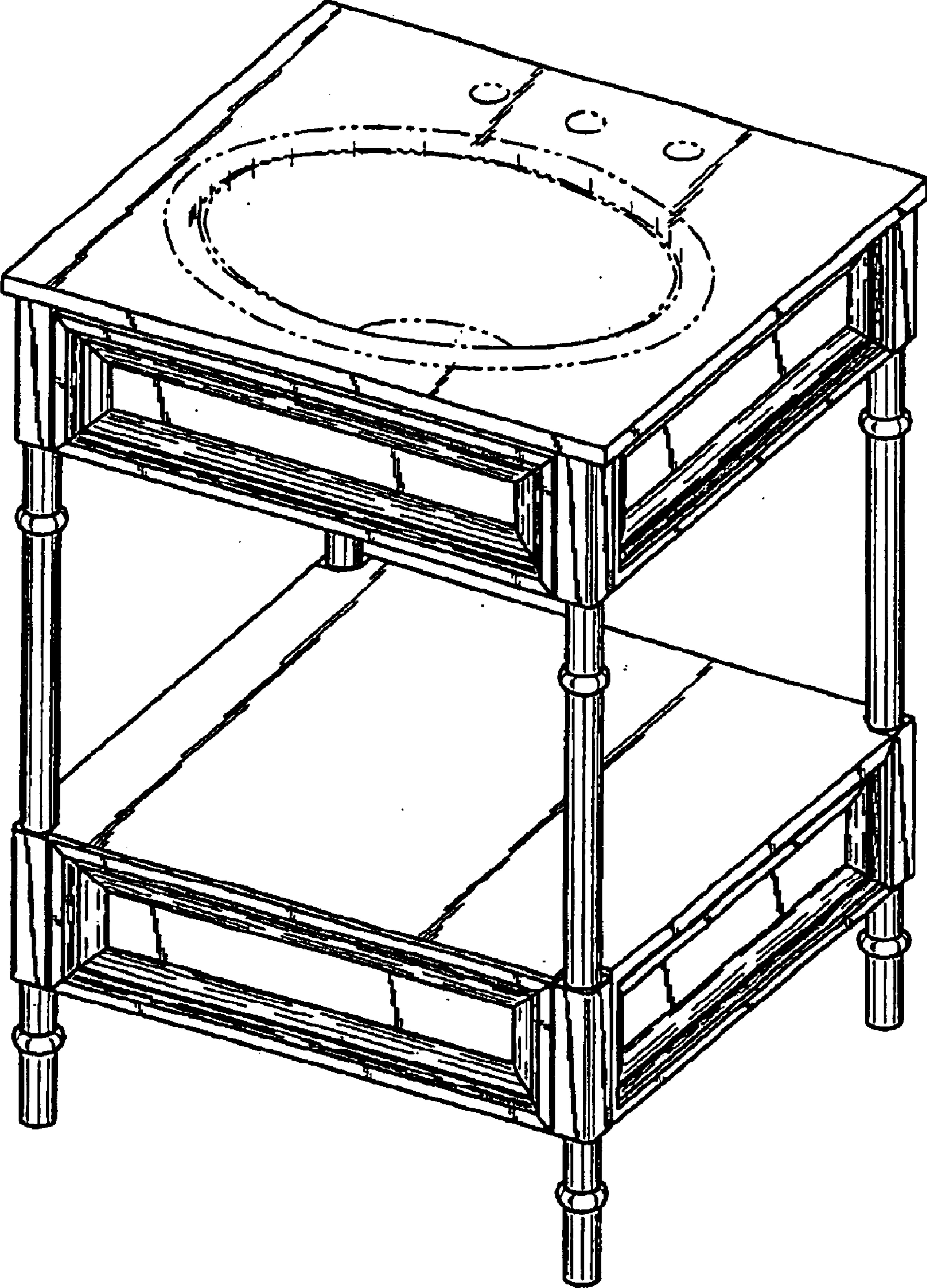


Fig. 1

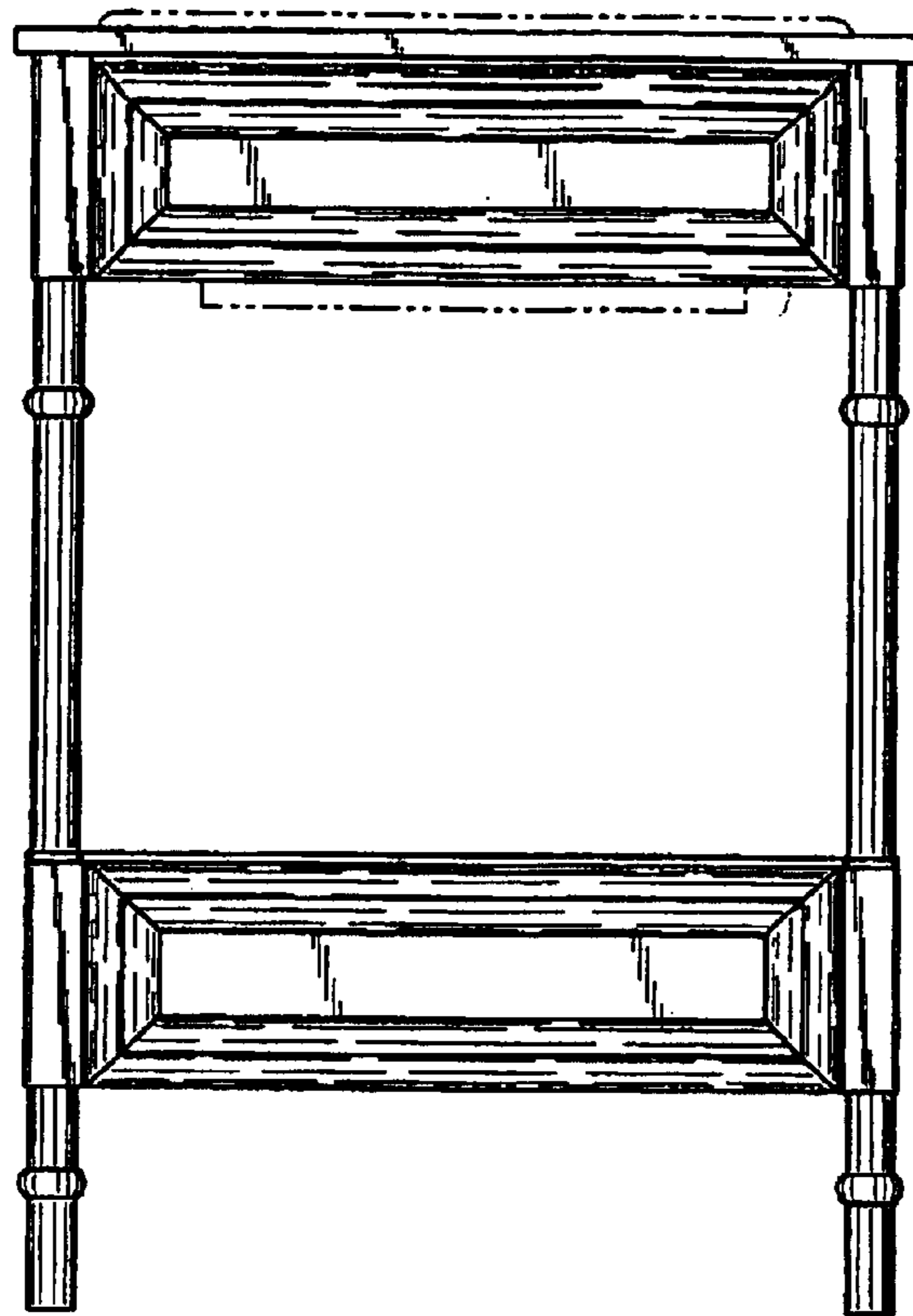


Fig. 2

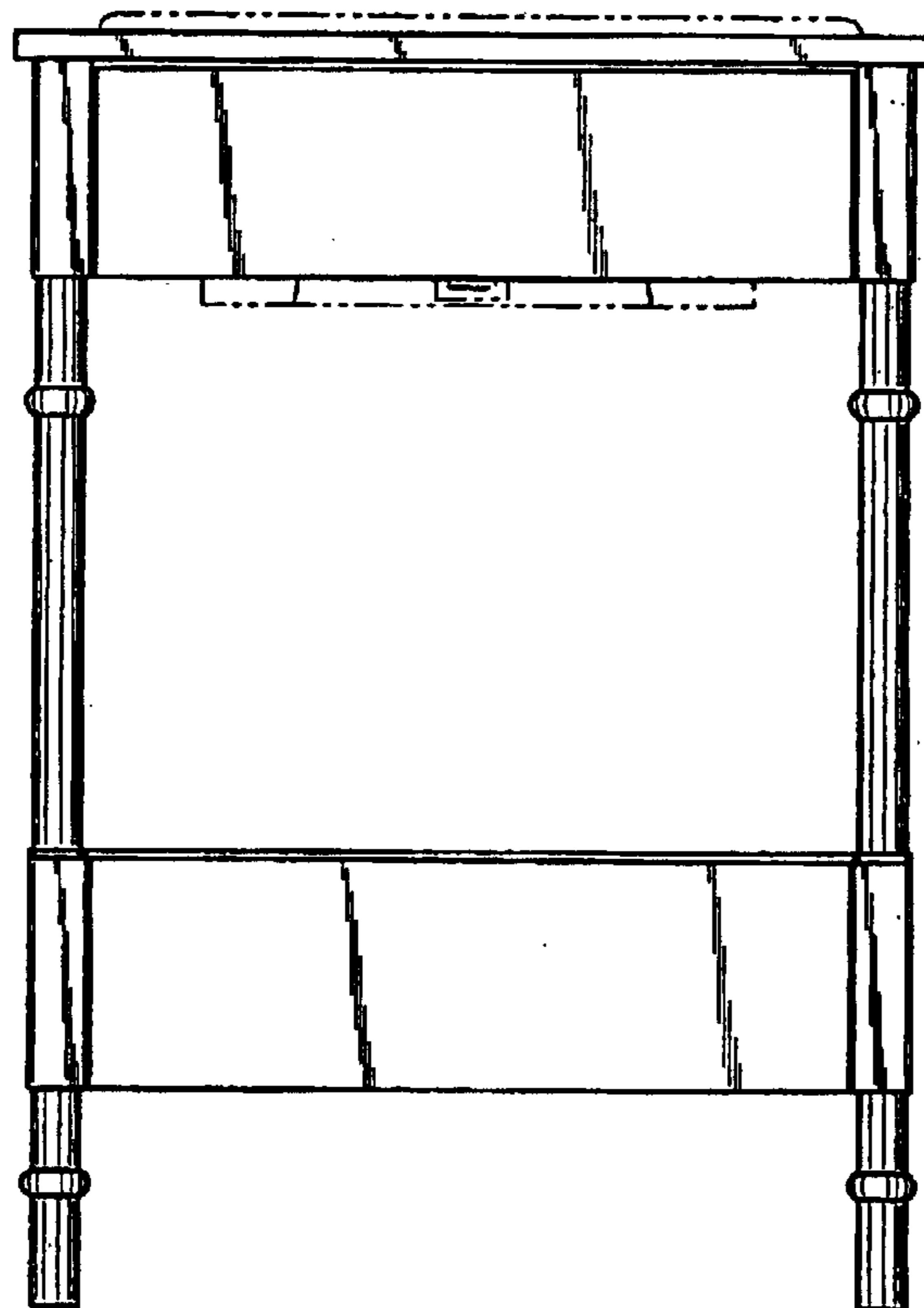


Fig. 3

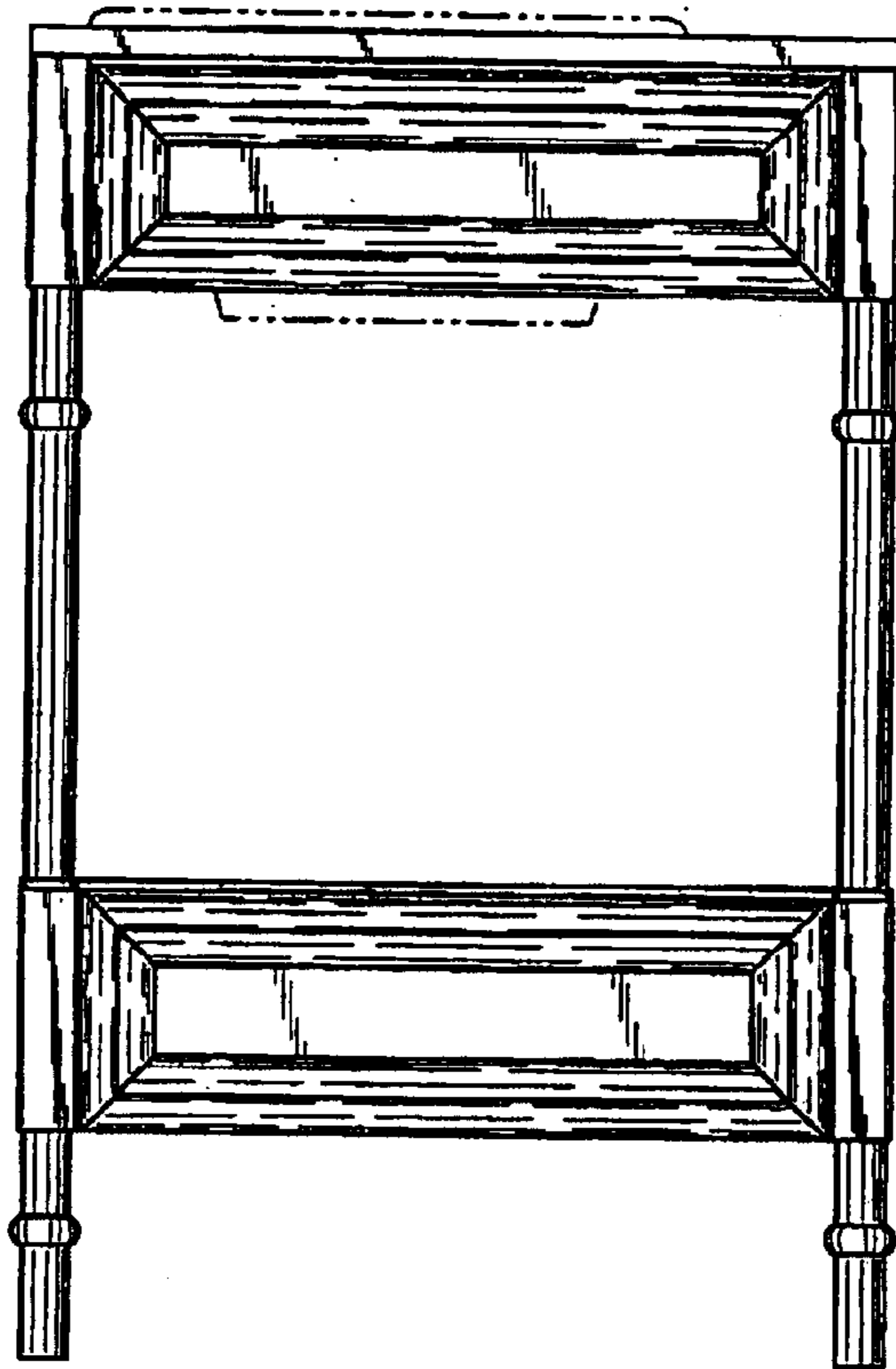


Fig. 4

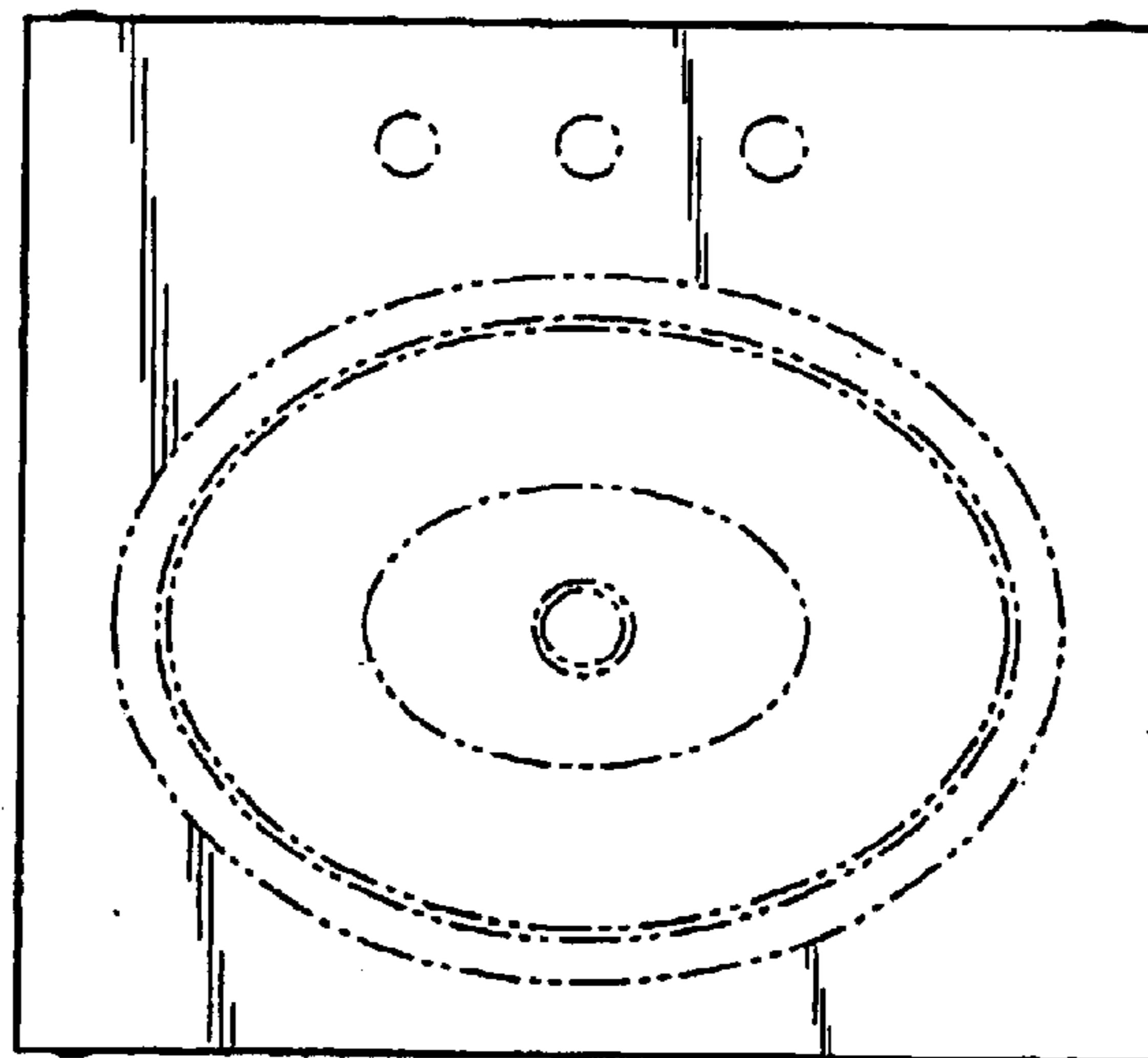


Fig. 5