

US00D498518S

(12) **United States Design Patent** (10) **Patent No.:** **US D498,518 S**  
**Plath** (45) **Date of Patent:** **\*\* Nov. 16, 2004**

(54) **VALVE WITH TWO MOUNTING HOLES**

(75) **Inventor:** **Victor A. Plath**, Nunica, MI (US)

(73) **Assignee:** **Haldex Brake Corporation**, Kansas City, MO (US)

(\*\*) **Term:** **14 Years**

(21) **Appl. No.:** **29/199,235**

(22) **Filed:** **Feb. 11, 2004**

**Related U.S. Application Data**

(63) Continuation of application No. 10/214,036, filed on Aug. 7, 2002.

(51) **LOC (7) Cl.** ..... **23-01**

(52) **U.S. Cl.** ..... **D23/245; D23/233**

(58) **Field of Search** ..... **D23/233-237, D23/244-249; 267/64.16, 64.17, 64.28, 114, 123; 280/6.15, 6.151, 6.157, 6.158, 6.159; 188/190, 195, 205 R; 251/54, 77**

(56) **References Cited**

**U.S. PATENT DOCUMENTS**

1,555,199 A	9/1925	Gouirand	
2,790,650 A	4/1957	Boschi	280/124
2,905,430 A	9/1959	Deist	251/54
2,910,305 A	10/1959	Marette et al.	280/124
2,948,549 A	8/1960	Schultz	280/124
2,964,311 A	12/1960	Stelzer	267/65
3,083,059 A	3/1963	Bisantz	298/17
3,104,114 A	9/1963	Vogel	280/6.1
3,563,270 A	2/1971	Denny	137/625.21
3,598,424 A	* 8/1971	Crouch et al.	267/64.11
3,635,460 A	* 1/1972	Shilton et al.	267/64.16
3,836,161 A	* 9/1974	Buhl	280/6.153
4,756,548 A	7/1988	Kaltenthaler et al.	280/702
4,809,957 A	3/1989	Schonfeld et al.	267/64.11
4,974,861 A	12/1990	Itoh et al.	280/6.1
4,976,104 A	12/1990	Morris et al.	60/412
5,048,867 A	9/1991	Gradert	280/840
5,161,579 A	* 11/1992	Anderson, Jr.	137/627.5
5,161,817 A	11/1992	Daum et al.	280/714

5,211,449 A	5/1993	Amtsfeld	303/9.66
5,375,819 A	12/1994	Galazin et al.	267/64.16
5,472,227 A	12/1995	Schönfeld et al.	280/714
5,499,845 A	3/1996	Geiger et al.	280/840
5,560,591 A	10/1996	Trudeau et al.	267/64.16
5,651,555 A	7/1997	O'Reilly et al.	280/6.1
5,682,922 A	* 11/1997	Galazin et al.	137/627.5
5,860,450 A	1/1999	Trudeau et al.	137/627.5
D409,725 S	* 5/1999	Ito et al.	D23/235
5,934,320 A	* 8/1999	O'Reilly et al.	137/625.21
6,089,551 A	7/2000	Haviland et al.	267/64.16
6,152,176 A	* 11/2000	Lin	137/625.21
6,161,583 A	* 12/2000	Morris	137/625.21
6,253,402 B1	* 7/2001	Lin	5/713
6,298,878 B1	* 10/2001	Asano et al.	137/625.21
D482,432 S	* 11/2003	Matsumoto	D23/262
6,742,542 B1	* 6/2004	Dierks	137/636

**FOREIGN PATENT DOCUMENTS**

DE	1144125	2/1963
FR	2 483 337	12/1981
FR	2 687 350	8/1993
WO	WO 95/09093	4/1995
WO	WO 95/29823	11/1995

\* cited by examiner

*Primary Examiner*—Nelson C. Holtje

(74) *Attorney, Agent, or Firm*—St. Onge Steward Johnston & Reens LLC

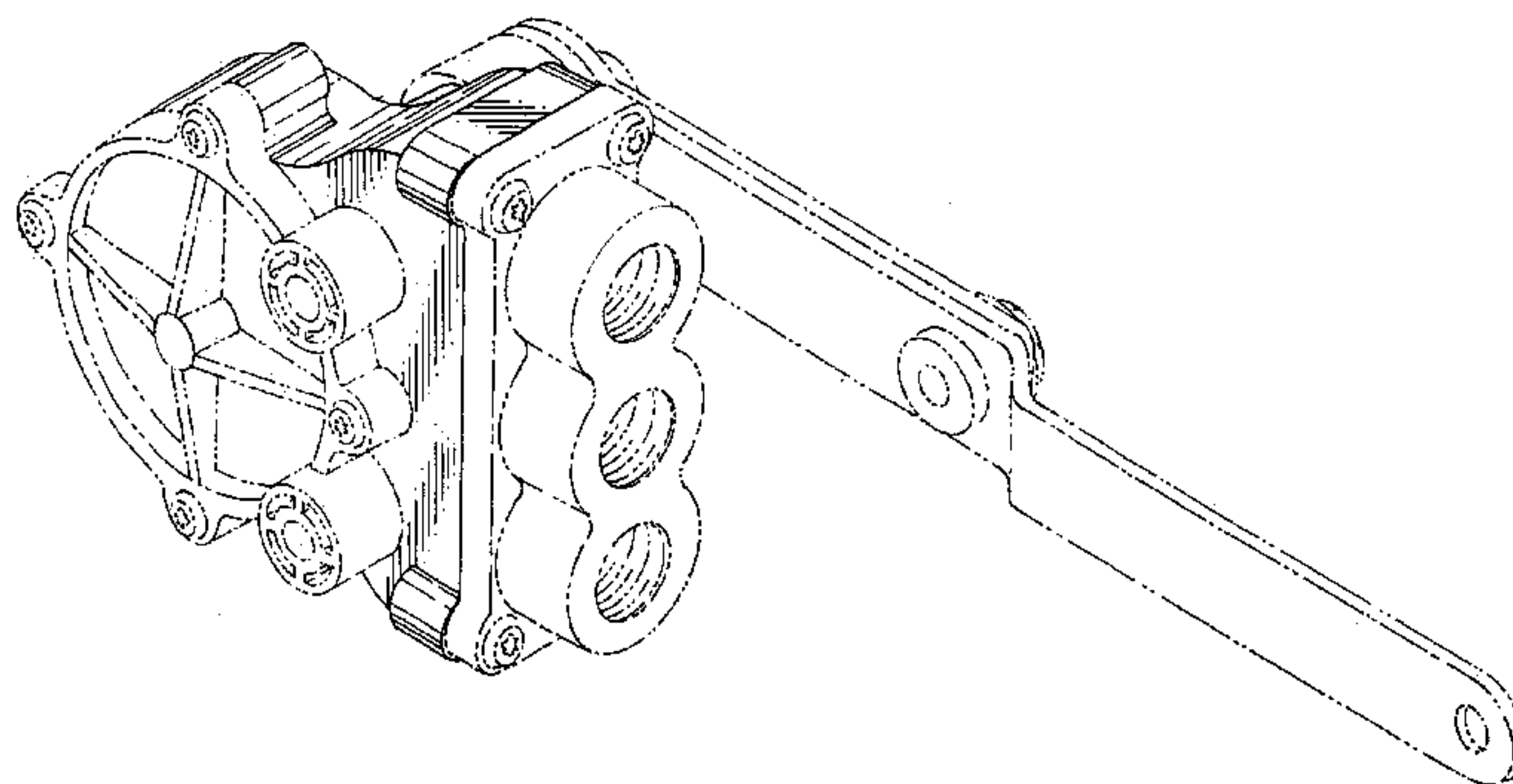
(57) **CLAIM**

I claim the ornamental design for the valve with two mounting holes, as shown and described in the drawings.

**DESCRIPTION**

FIG. 1 is a perspective view of a valve with two mounting holes in accordance with the new design; FIG. 2 is a back plan view thereof; FIG. 3 is a front plan view thereof; FIG. 4 is a right side view thereof; FIG. 5 is a left side view thereof; and, FIG. 6 is an upper side view thereof. The broken lines showing s are for illustrative purposes only and form no part of the claimed design.

**1 Claim, 4 Drawing Sheets**



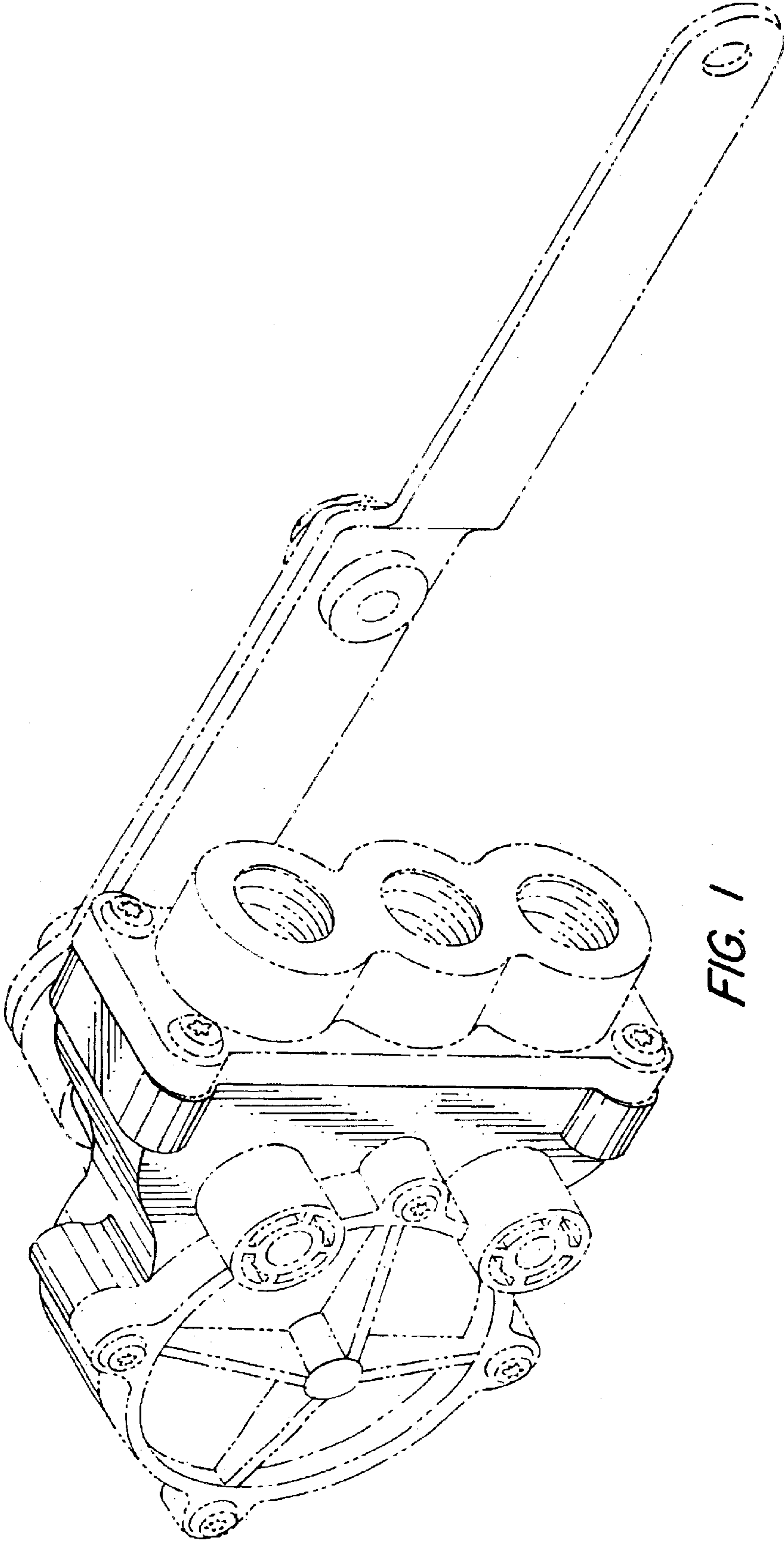
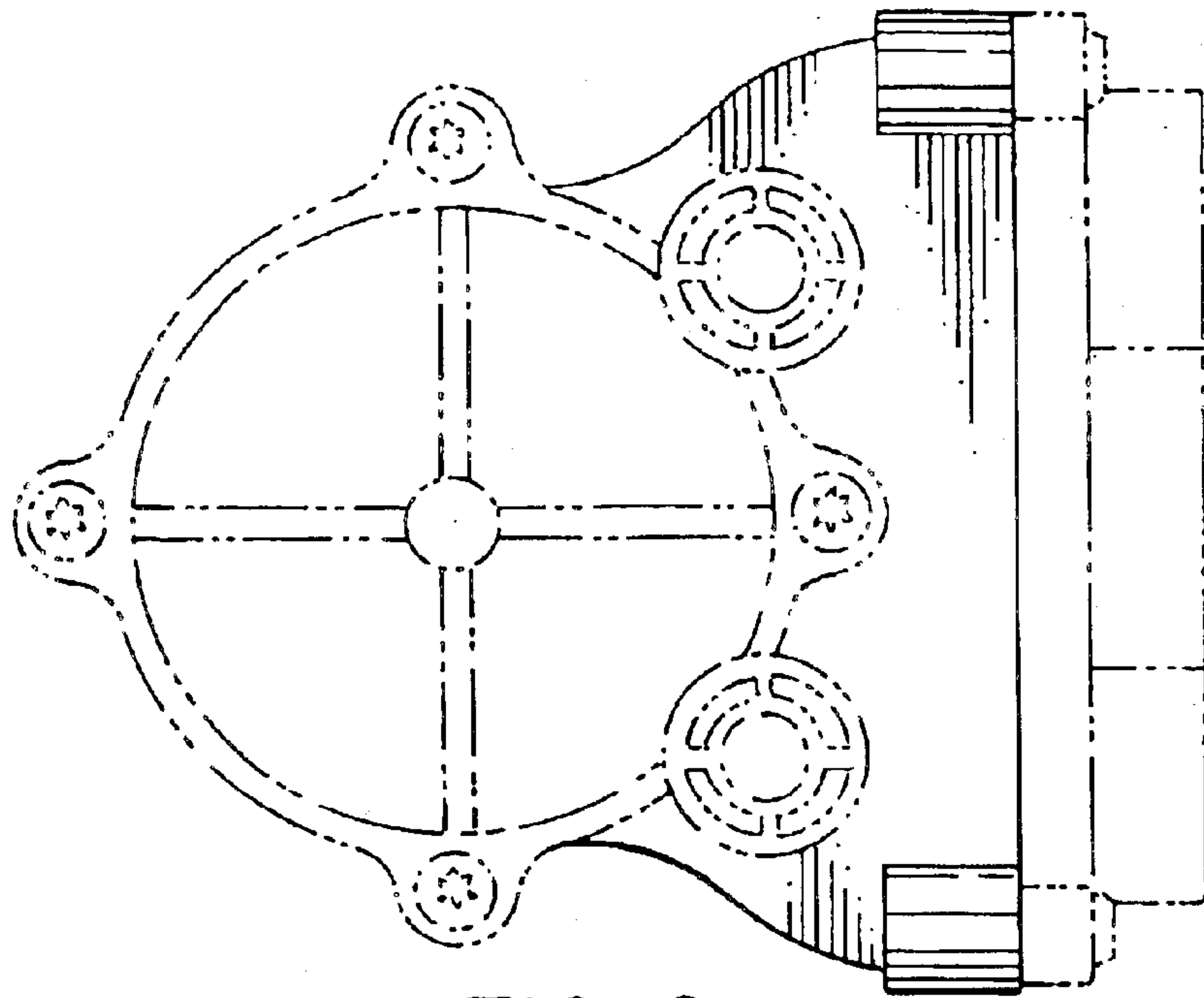
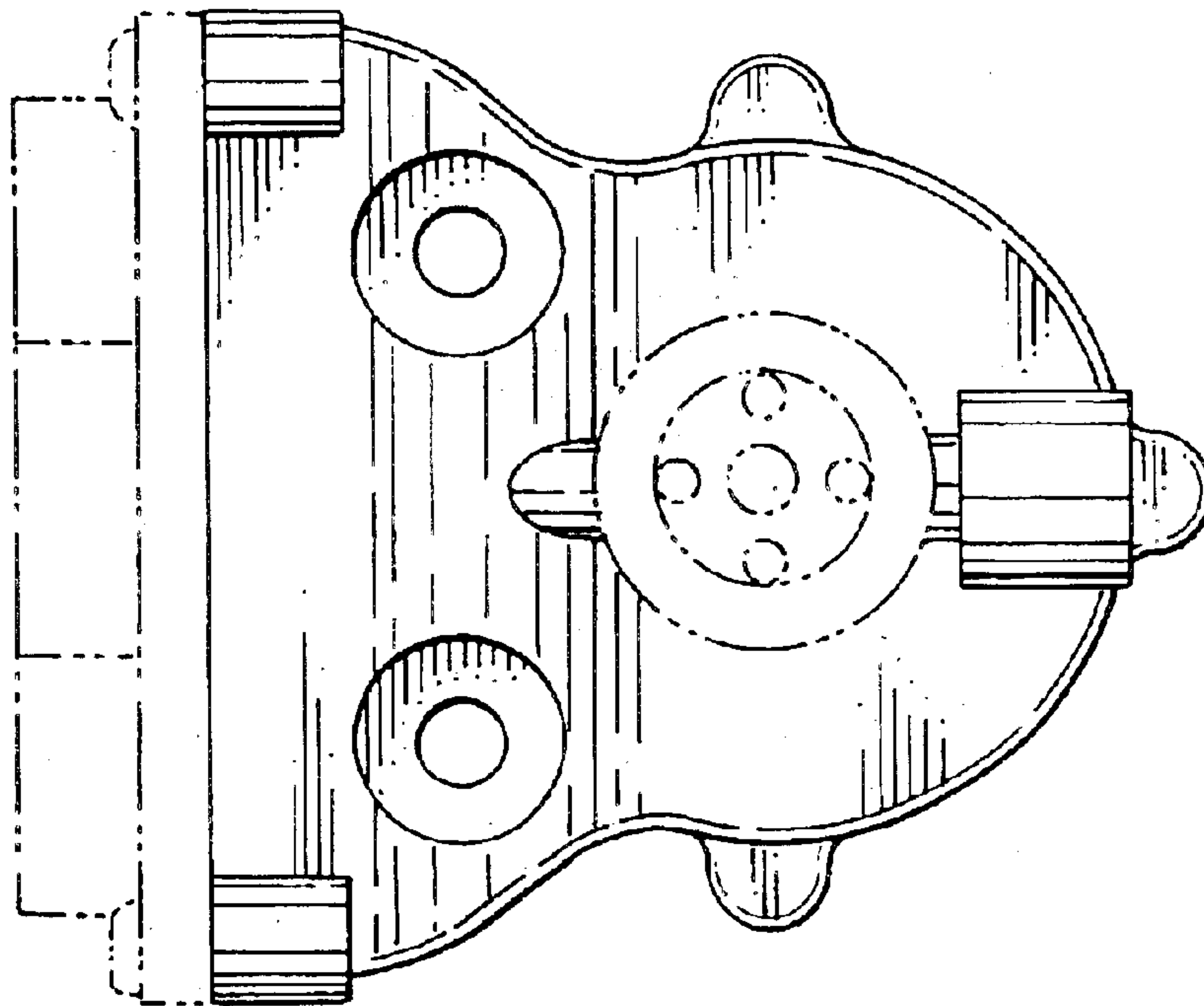


FIG. 1



*FIG. 2*



*FIG. 3*

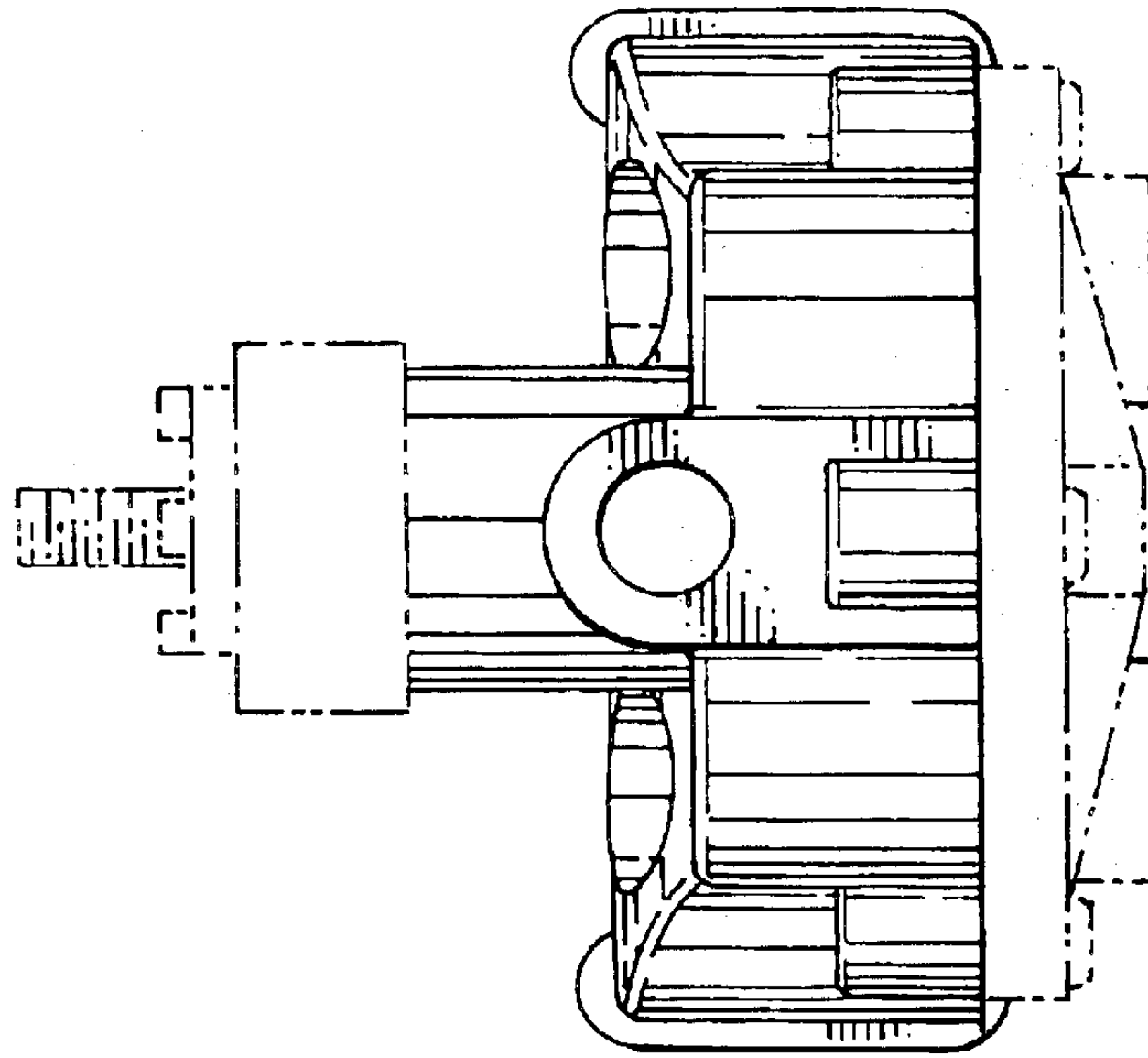


FIG. 4

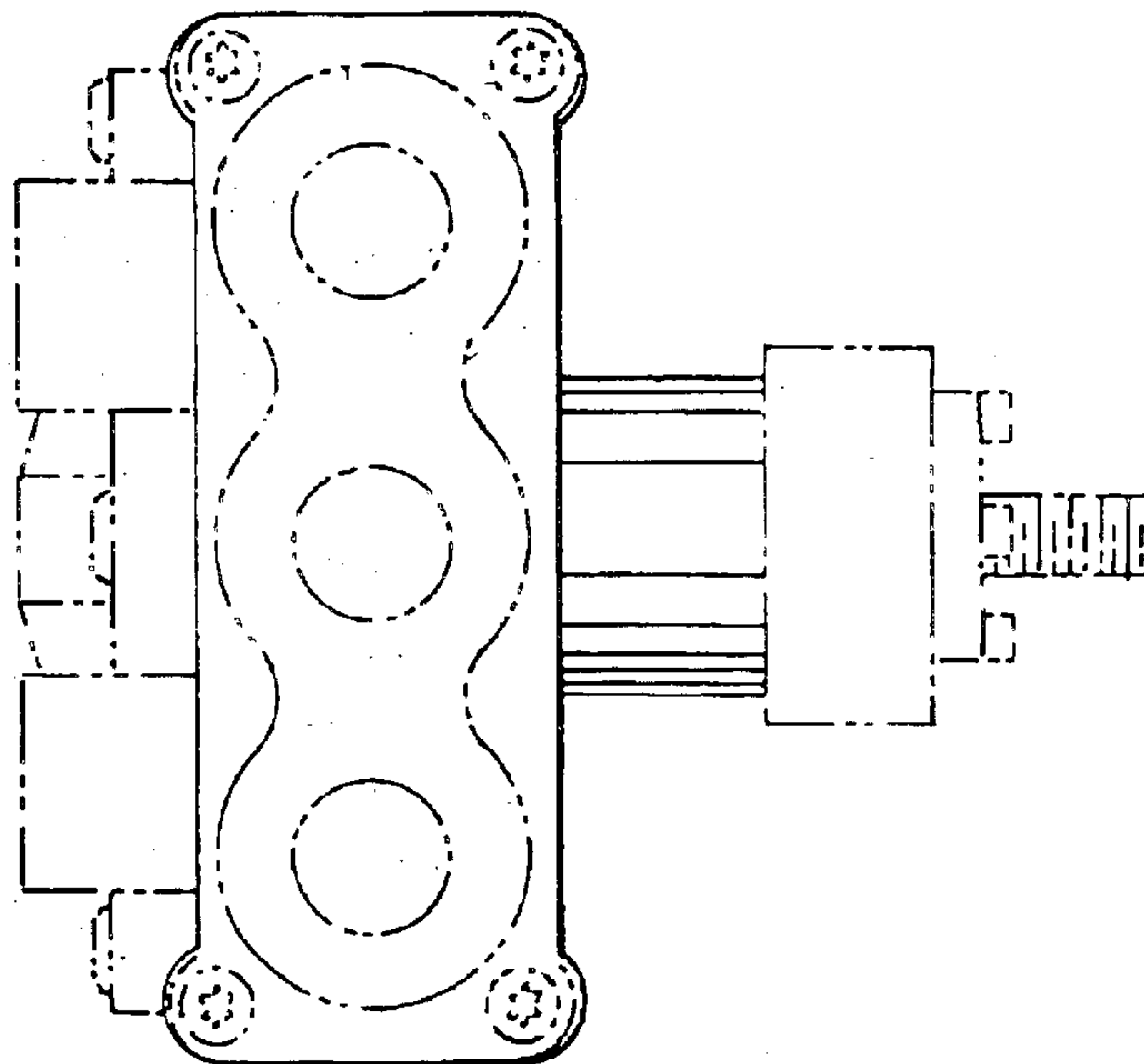
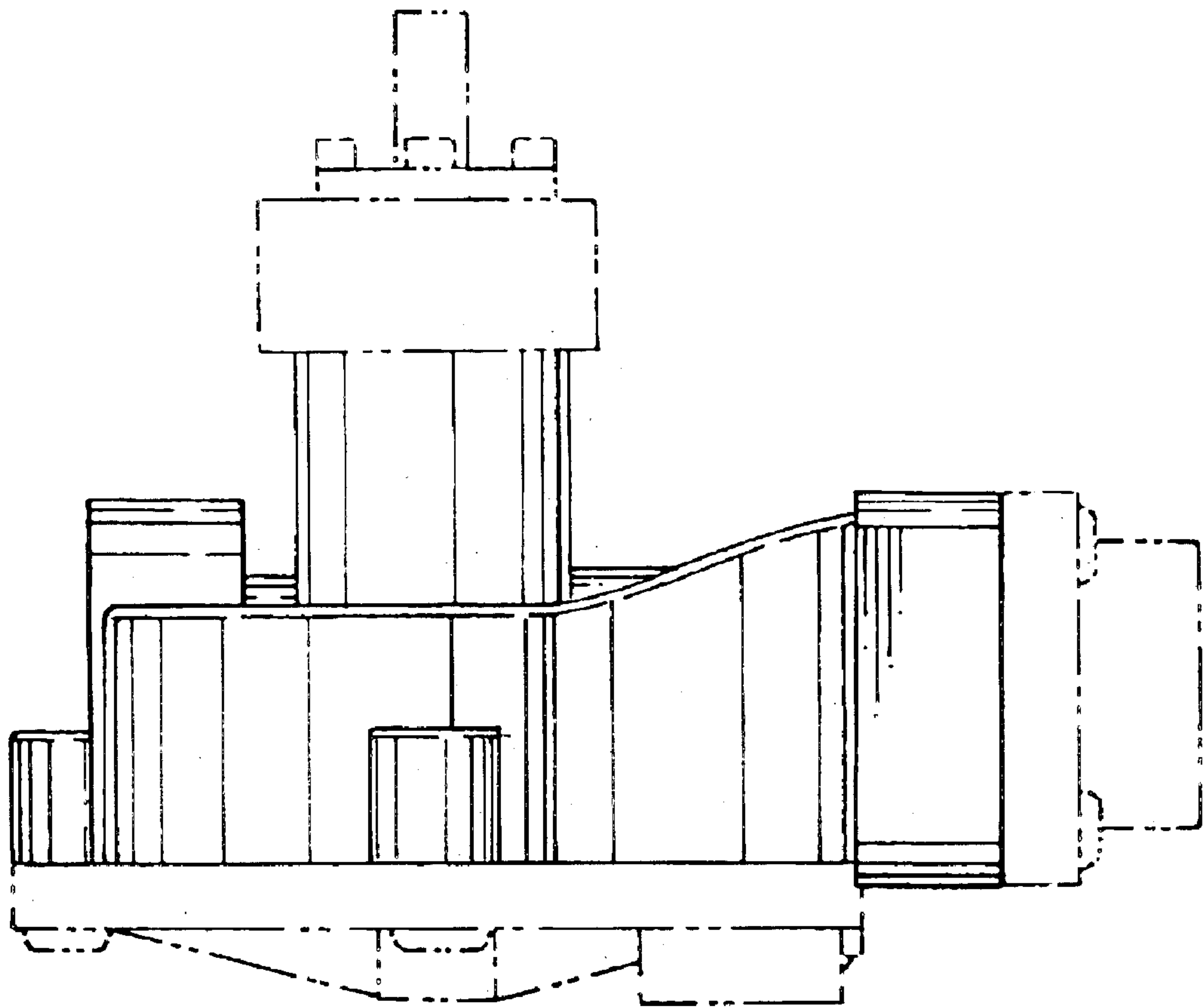


FIG. 5



*FIG. 6*