



US00D498517S

(12) **United States Design Patent** (10) **Patent No.:** **US D498,517 S**
Citterio (45) **Date of Patent:** **** Nov. 16, 2004**

(54) **SANITARY FITTING**

(75) Inventor: **Antonio Citterio**, Milan (IT)

(73) Assignee: **Hansgrohe AG**, Schiltach (DE)

(**) Term: **14 Years**

(21) Appl. No.: **29/178,352**

(22) Filed: **Mar. 25, 2003**

(30) **Foreign Application Priority Data**

Sep. 25, 2002 (DE) 402 08 048

(51) **LOC (7) Cl.** **23-01**

(52) **U.S. Cl.** **D23/245; D23/254**

(58) **Field of Search** **D23/233-254;**
137/801; 4/675-678; D8/353

(56) **References Cited**

U.S. PATENT DOCUMENTS

D284,687 S	*	7/1986	Doman et al.	D23/249
D300,238 S	*	3/1989	Kohler et al.	D23/249
D319,294 S	*	8/1991	Kohler et al.	D23/254
D421,099 S	*	2/2000	Mullenmeister	D23/254
D425,604 S	*	5/2000	Fleischmann	D23/254
D441,059 S	*	4/2001	Fleischmann	D23/254
D458,668 S	*	6/2002	Mullenmeister	D23/254
D459,445 S	*	6/2002	Mullenmeister	D23/254

OTHER PUBLICATIONS

“Rubinetteria BANDINI” catalog, 1 page, Mar., 2002.
“Rubinetteria BANDINI” catalog, 2 pages, Mar., 2002.
“HANSA für das Bad” catalog, pp. 40 and 41, 1999.
“GROHEART” catalog, pp. 64 and 65, Mar., 2001.
KLUDI brochure, pp. 46 and 47, Aug., 2000.
FONTE water house, brochure, one page, Mar., 2002.

* cited by examiner

Primary Examiner—Nelson C. Holtje

(74) *Attorney, Agent, or Firm*—Duane Morris LLP

(57) **CLAIM**

The ornamental design for a sanitary fitting, as shown and described.

DESCRIPTION

FIG. 1: is a side perspective view of the sanitary fitting showing my new design;

FIG. 2: is a rear elevation view thereof;

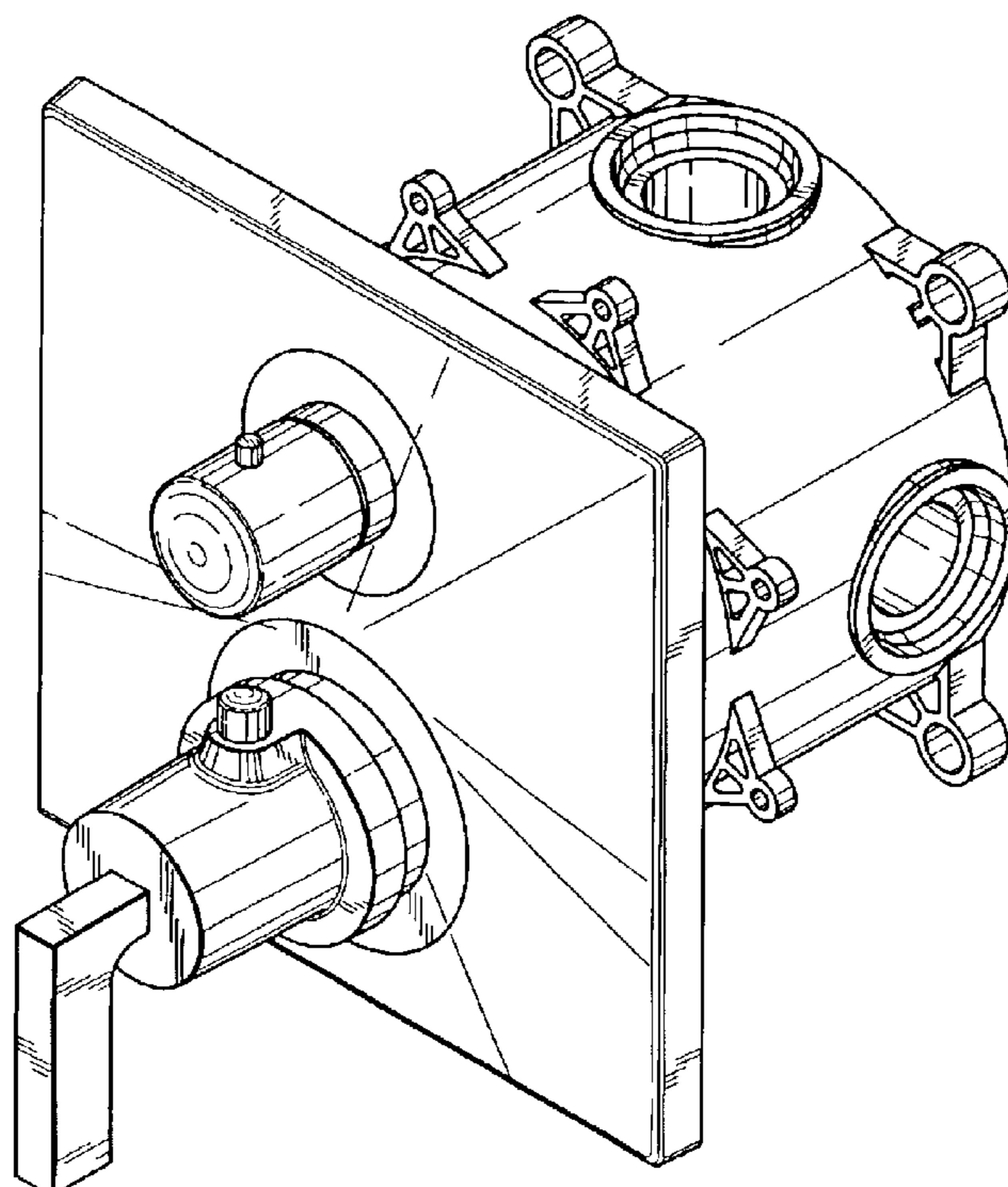
FIG. 3: is a side elevation view thereof (the opposite side being a mirror image);

FIG. 4: is a front elevation view thereof;

FIG. 5: is a top plan view thereof; and,

FIG. 6: is a bottom plan view thereof.

1 Claim, 3 Drawing Sheets



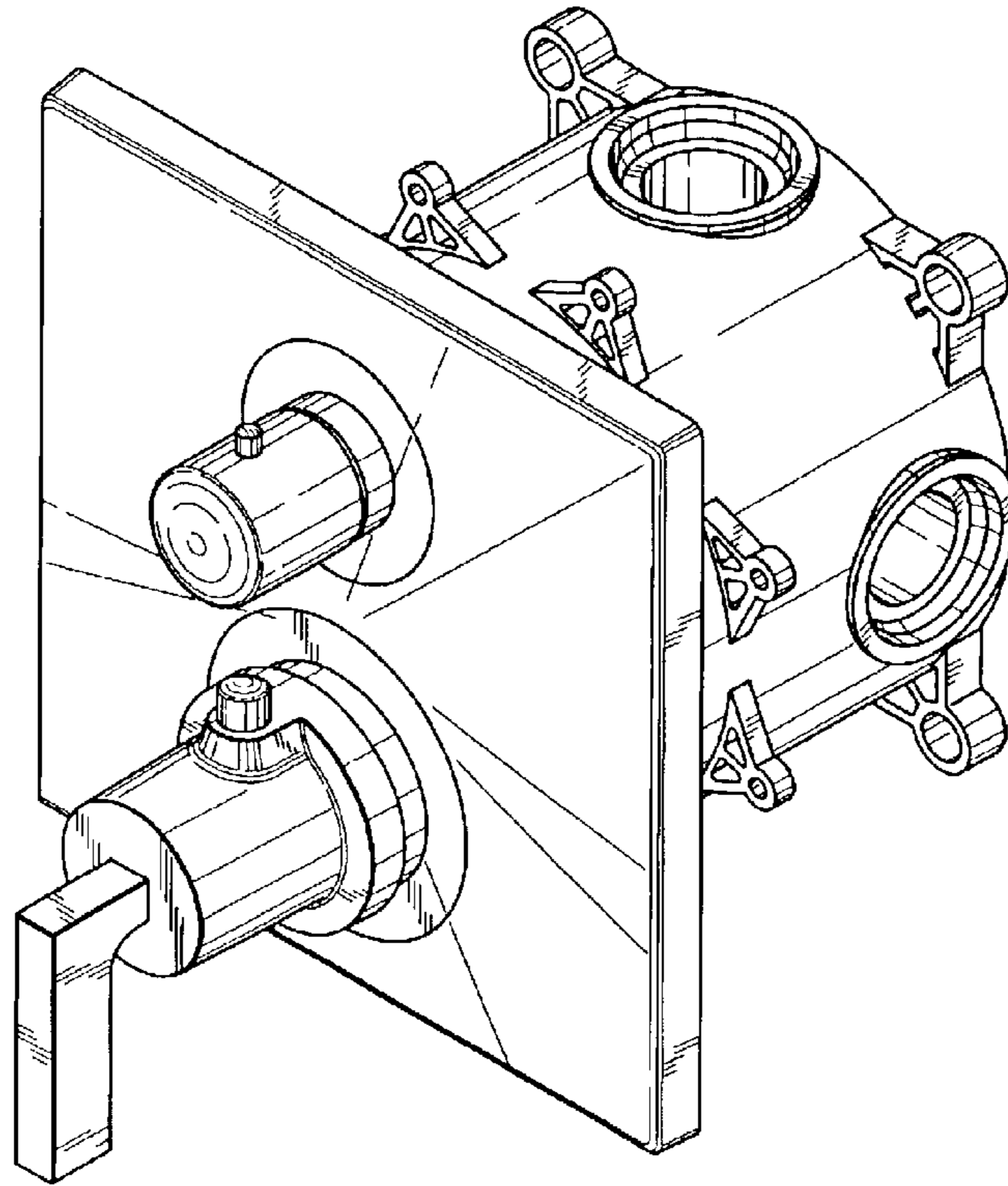


FIG. 1

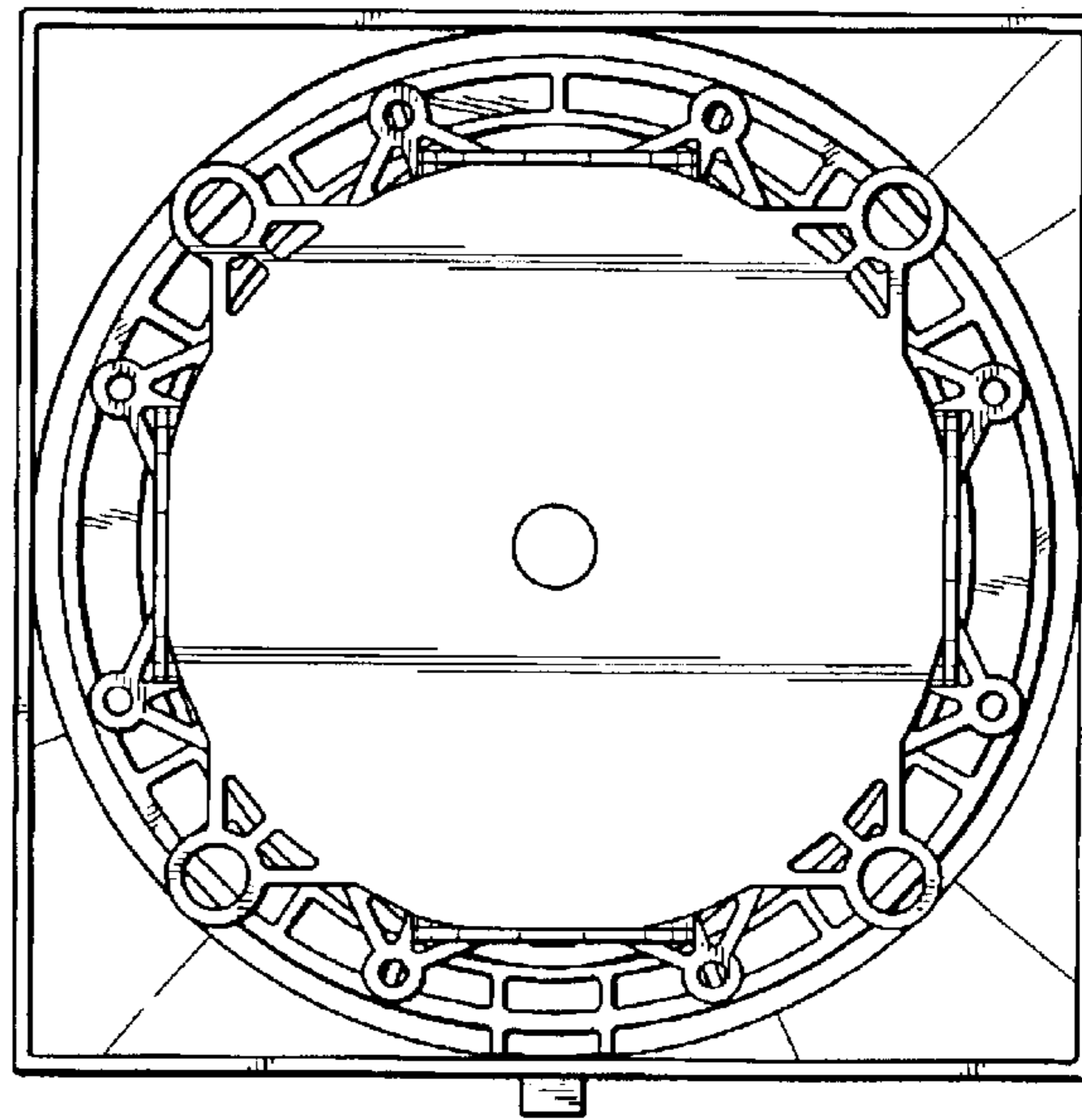


FIG. 2

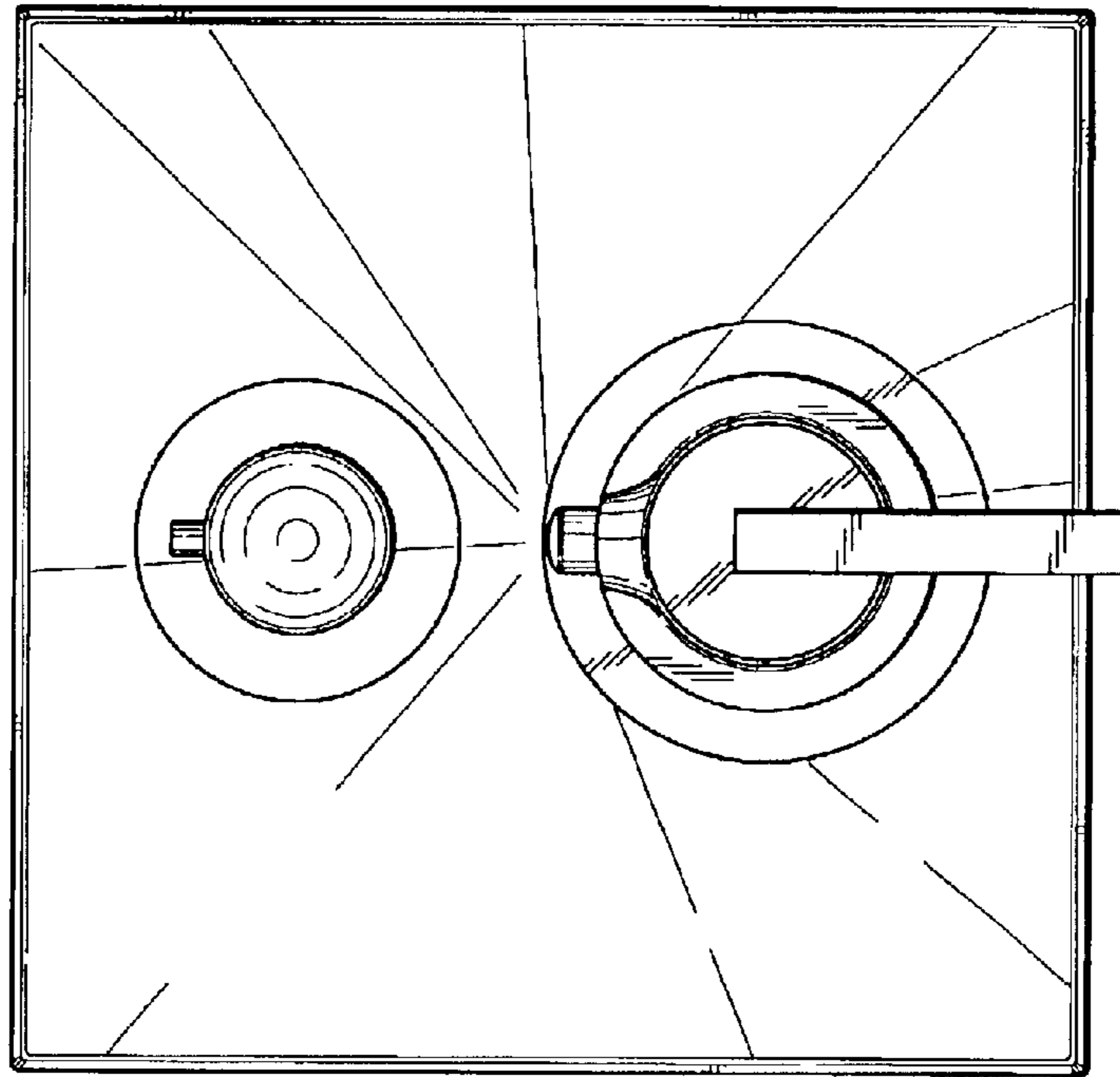


FIG. 4

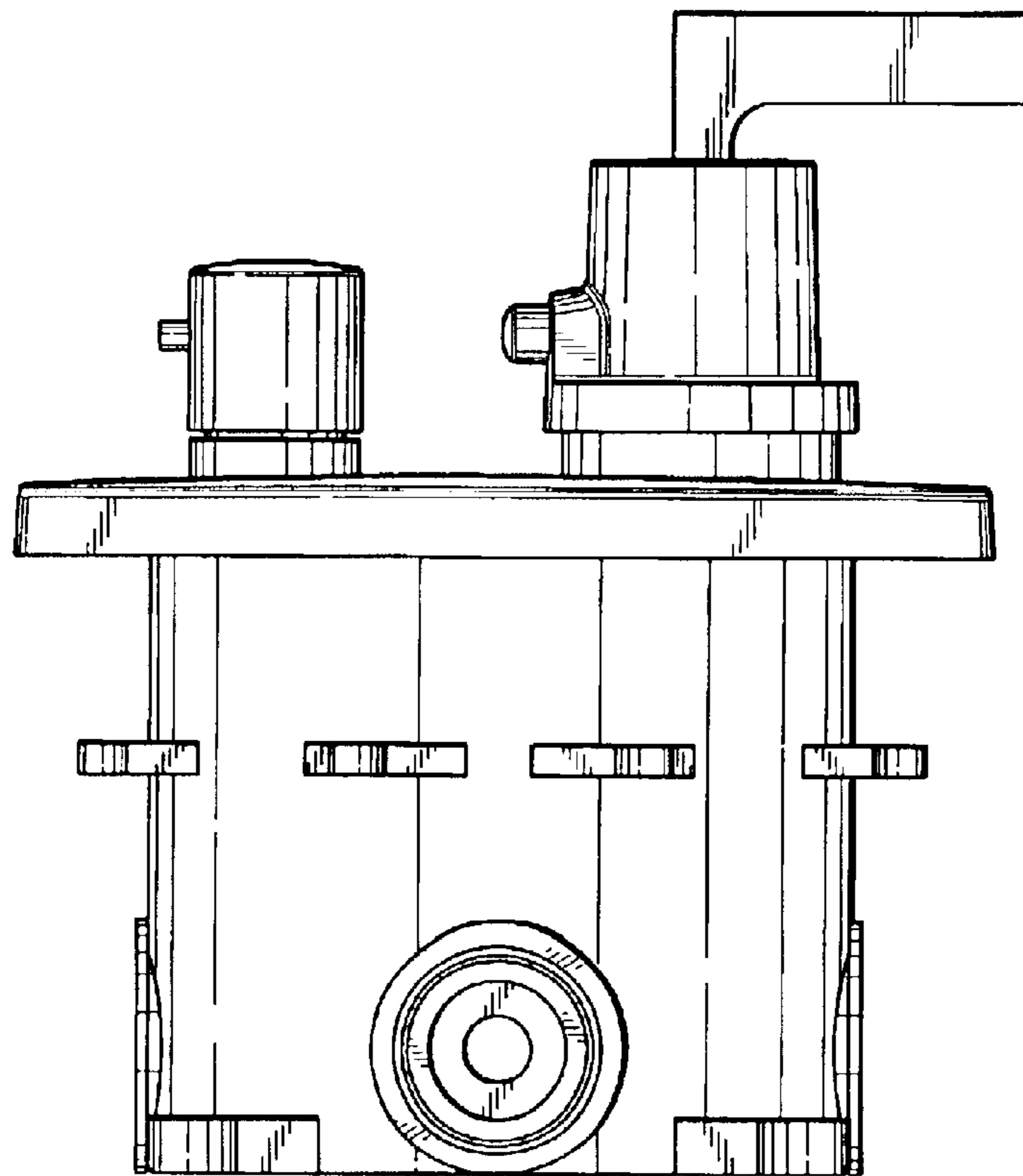


FIG. 3

