

US00D498513S

(12) **United States Design Patent**
Hudman

(10) **Patent No.: US D498,513 S**

(45) **Date of Patent: ** Nov. 16, 2004**

(54) **LAWN SPRINKLER**

D465,260 S * 11/2002 Chen D23/214

(75) **Inventor: Phillip Hudman, Centerville, UT (US)**

* cited by examiner

(73) **Assignee: Orbit Irrigation Products, Inc., N. Salt Lake, UT (US)**

Primary Examiner—Robin V. Taylor

(74) *Attorney, Agent, or Firm*—Thorpe North & Western

(**) **Term: 14 Years**

(57) **CLAIM**

The ornamental design for a lawn sprinkler, as shown and described.

(21) **Appl. No.: 29/185,631**

(22) **Filed: Jul. 1, 2003**

DESCRIPTION

(51) **LOC (7) Cl. 23-01**

FIG. 1 is an elevated, perspective view of the lawn sprinkler in accordance with my invention;

(52) **U.S. Cl. D23/214**

FIG. 2 is a front elevation view thereof;

(58) **Field of Search D23/213, 214, D23/219, 221; 239/273, 275, 276**

FIG. 3 is a back elevation view thereof;

FIG. 4 is a left side elevation view thereof;

FIG. 5 is a right side elevation view thereof;

FIG. 6 is a top plan view thereof; and,

FIG. 7 is a bottom plan view thereof.

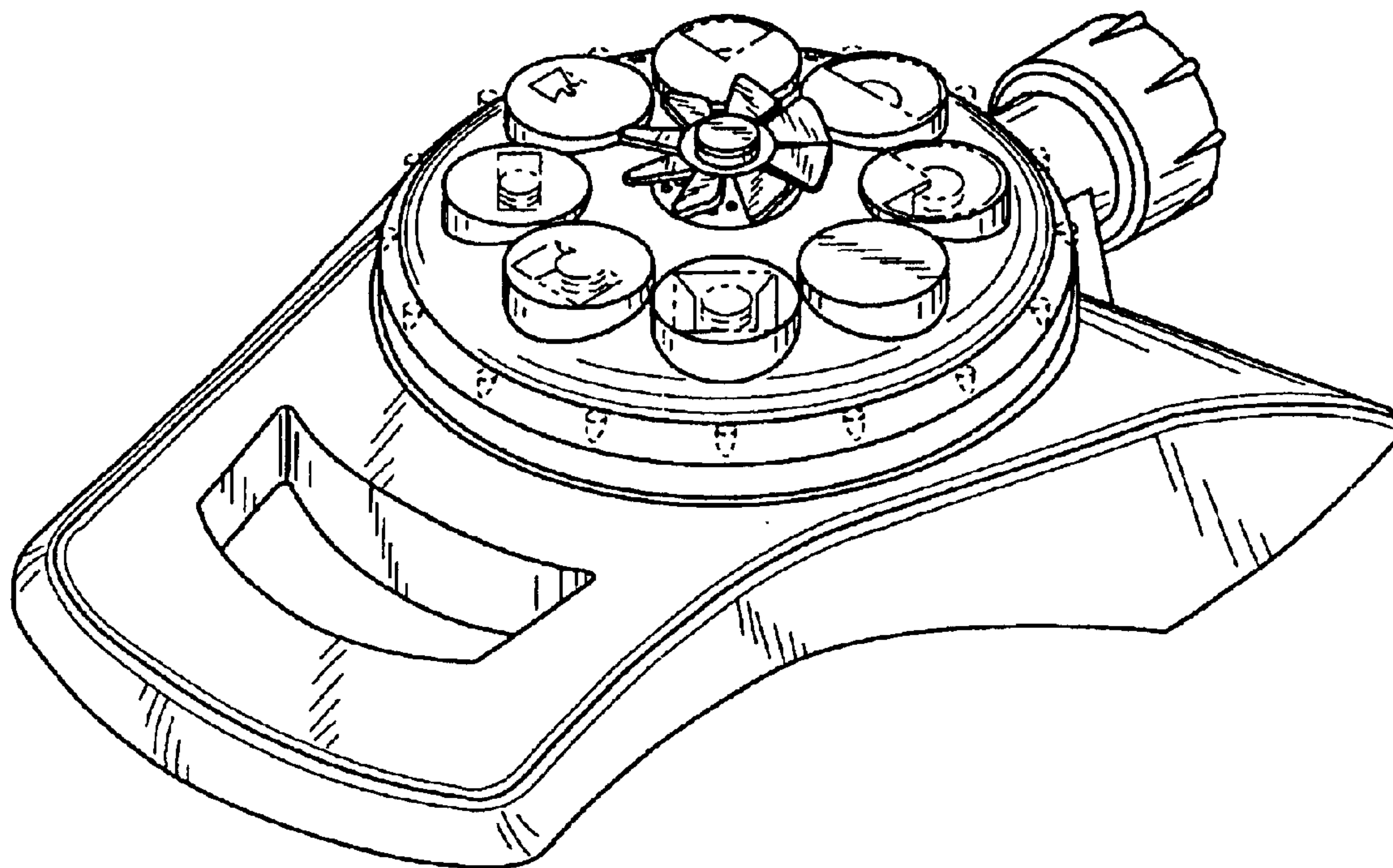
The broken lines shown in FIGS. 1-7 are for illustrative purposes only and form no part of the claimed design.

(56) **References Cited**

U.S. PATENT DOCUMENTS

D305,792 S	*	1/1990	Hastings et al.	D23/214
D315,192 S	*	3/1991	Clivio	D23/214
D374,914 S	*	10/1996	Wang	D23/214
D383,830 S	*	9/1997	Guo	D23/214

1 Claim, 4 Drawing Sheets



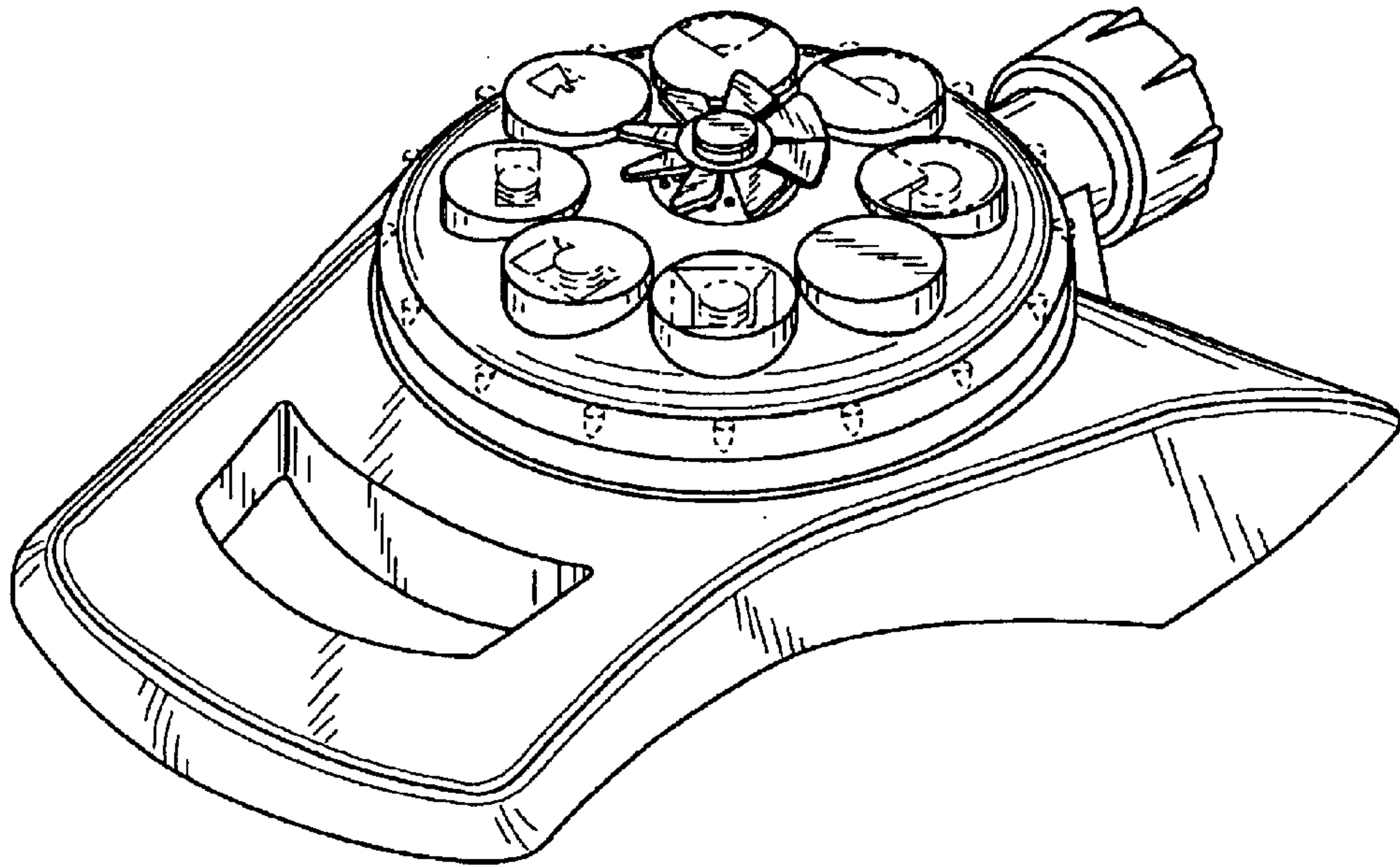


FIG. 1

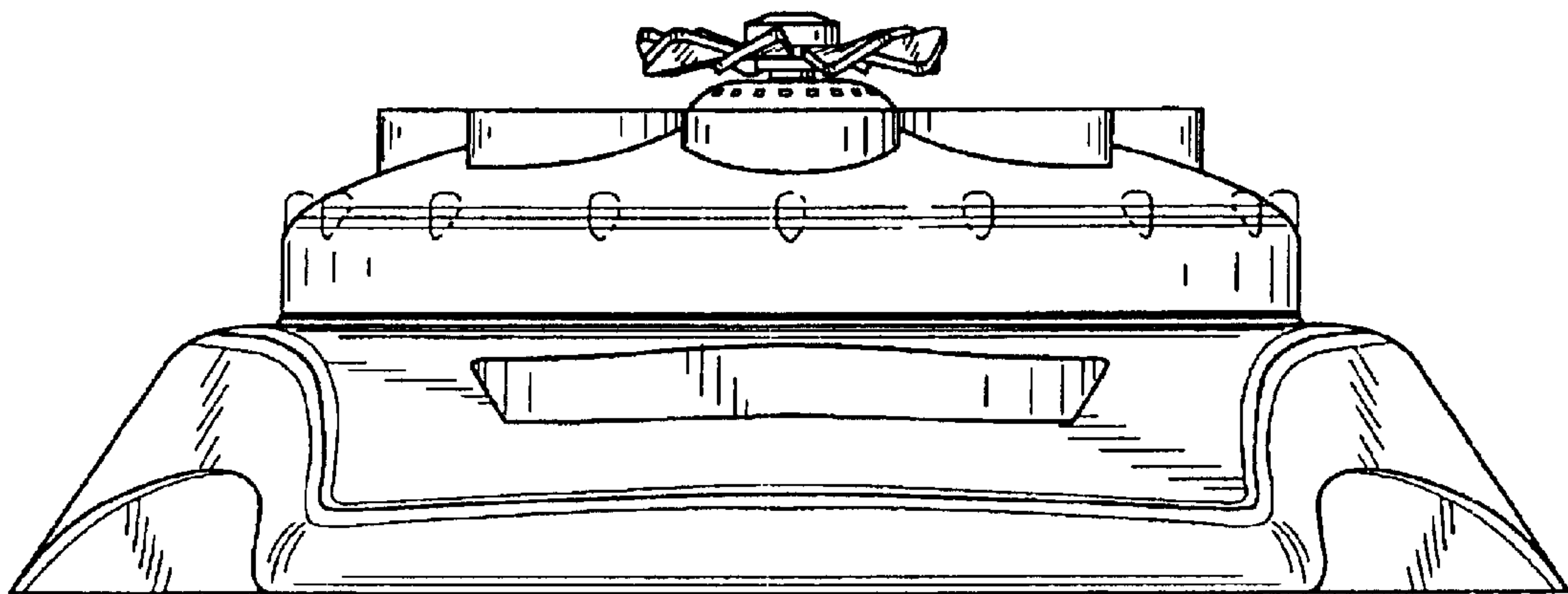


FIG. 2

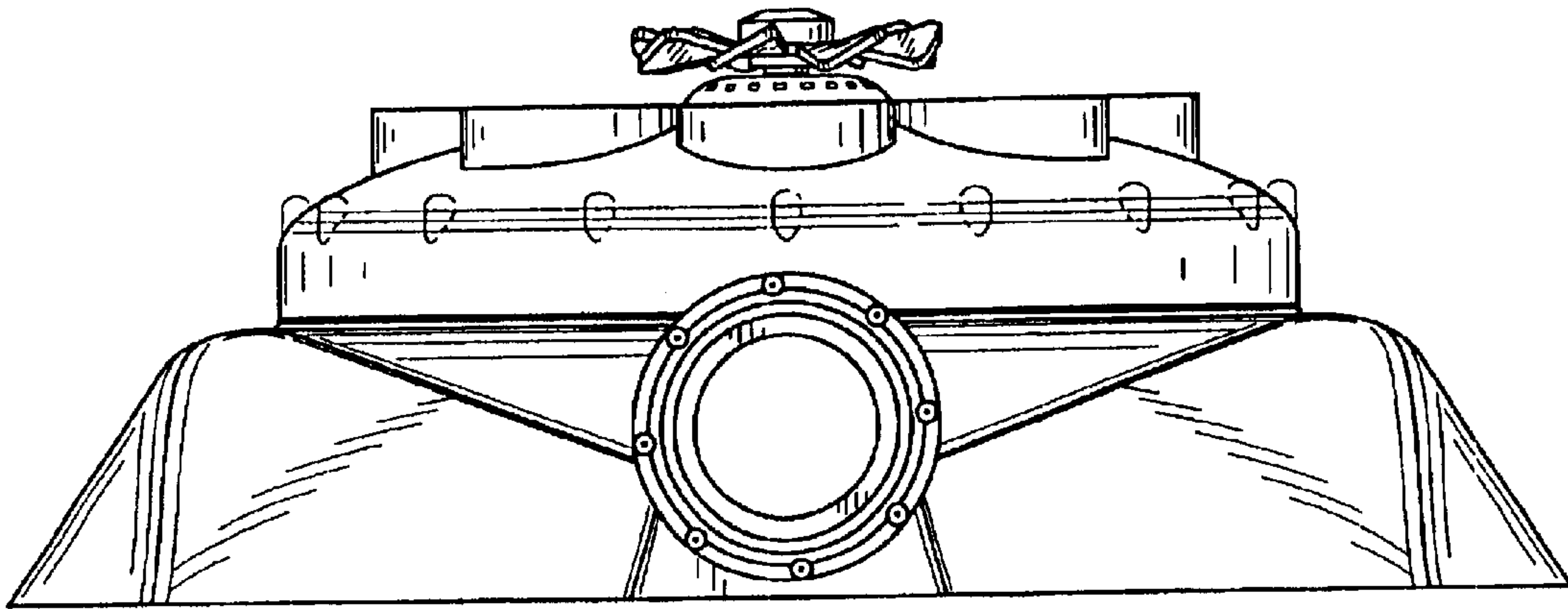


FIG. 3

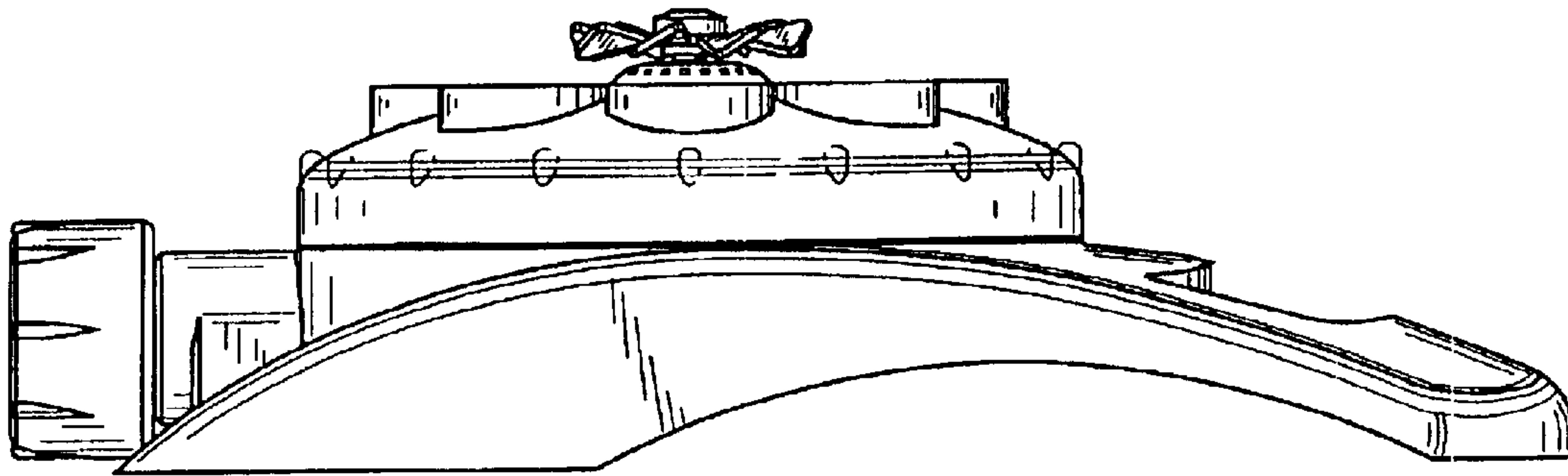


FIG. 4

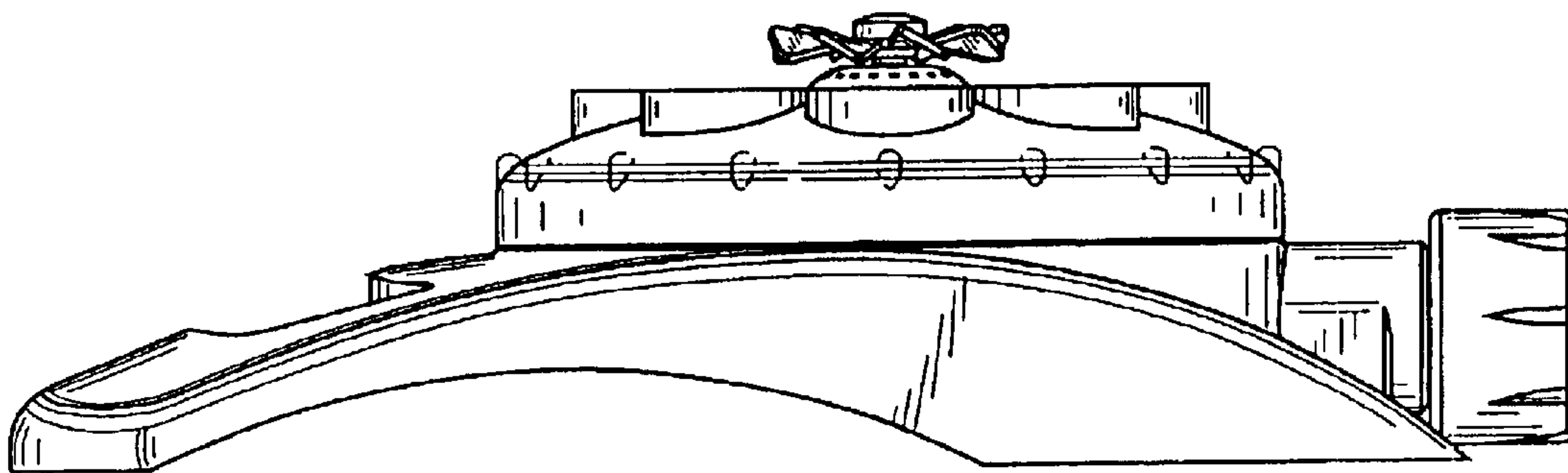


FIG. 5

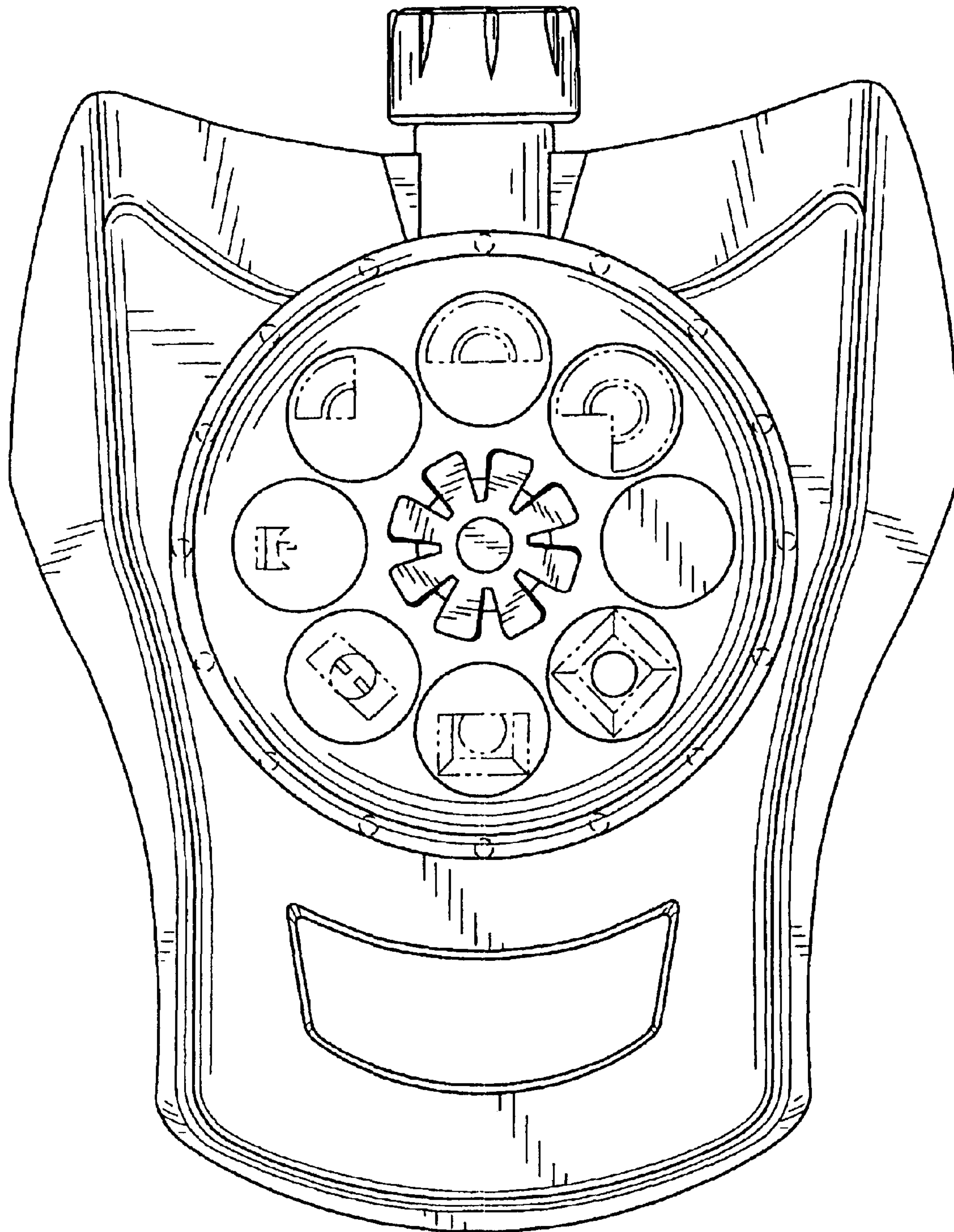


FIG. 6

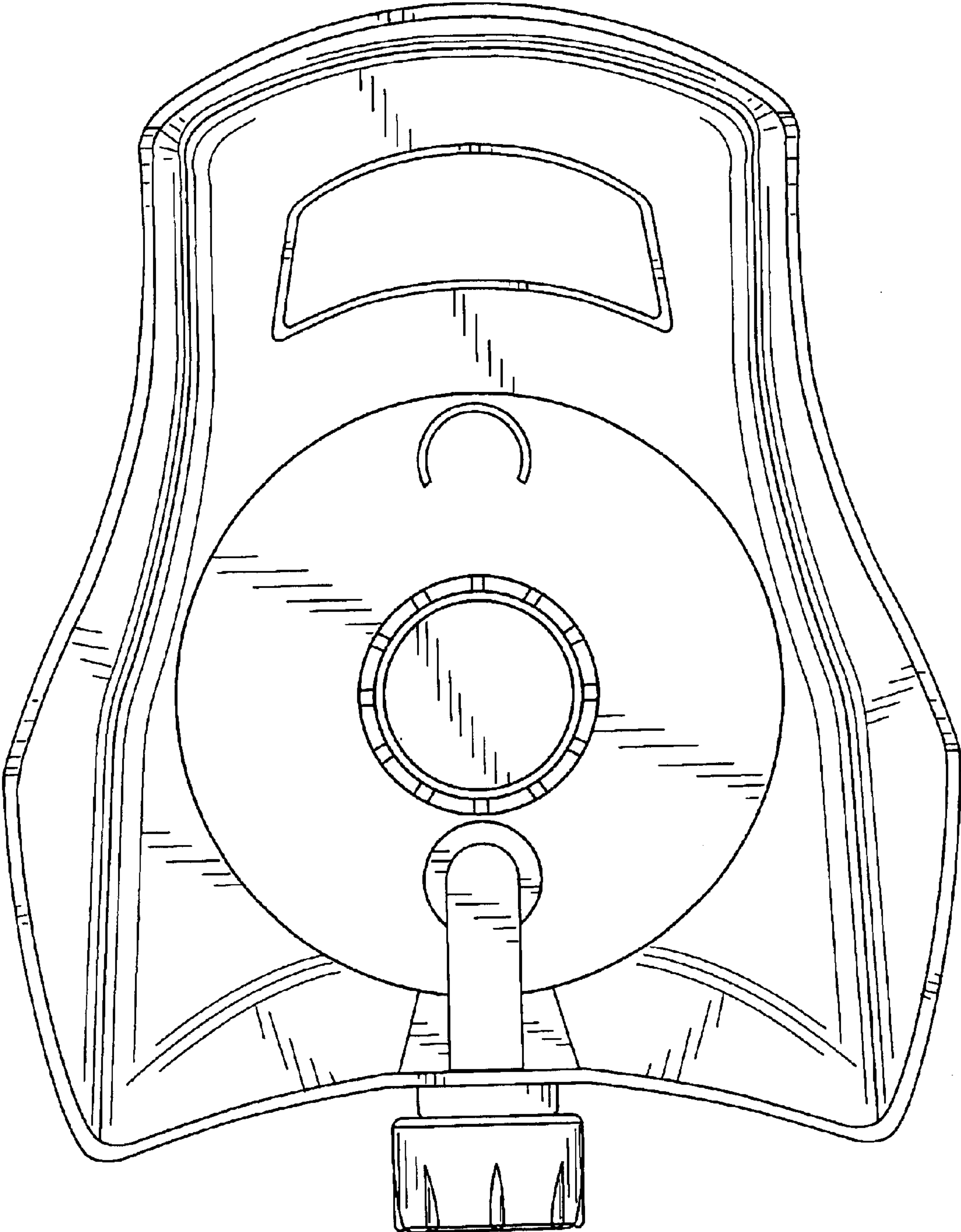


FIG. 7