

US00D498512S

(12) **United States Design Patent** (10) **Patent No.:** **US D498,512 S**  
**Warren et al.** (45) **Date of Patent:** **\*\* Nov. 16, 2004**

(54) **WATER FILTER**  
(75) **Inventors:** **William Warren**, Shaker Heights, OH (US); **Gordon Lewis**, Needham, MA (US); **Robert Rizzari**, Billerica, MA (US); **Louis F. Genatossio**, Shrewsbury, MA (US)

4,885,081 A 12/1989 Oliver  
4,918,426 A 4/1990 Butts  
4,934,597 A 6/1990 Crutcher  
4,980,073 A 12/1990 Woodruff

(List continued on next page.)

**FOREIGN PATENT DOCUMENTS**

(73) **Assignee:** **Clear Flow Corporation**, Needham, MA (US)

EP 0 537 528 A1 4/1993  
GB 2093005 8/1982  
JP 57-016823 8/1983  
JP 58-187666 11/1983  
JP 62-180176 8/1987  
JP 62-155380 10/1987  
JP 07-116657 5/1995  
JP 09-144913 6/1997  
JP 09-168708 6/1997  
JP 09-253424 9/1997  
JP 09-253533 9/1997  
JP 09-264436 10/1997

(List continued on next page.)

(\*\*) **Term:** **14 Years**

(21) **Appl. No.:** **29/185,841**

(22) **Filed:** **Jul. 3, 2003**

(51) **LOC (7) Cl.** ..... **23-01**

(52) **U.S. Cl.** ..... **D23/209**

(58) **Field of Search** ..... D23/207, 209;  
210/460, 418, 428, 449

**OTHER PUBLICATIONS**

(56) **References Cited**

**U.S. PATENT DOCUMENTS**

,527,451 A 10/1894 Richards  
2,568,181 A 9/1951 Zimmerman  
2,955,712 A 10/1960 Gutkowski  
3,443,753 A 5/1969 McDonnell  
3,746,171 A 7/1973 Thomsen  
3,853,761 A 12/1974 McClory  
4,107,046 A 8/1978 Corder  
4,147,631 A 4/1979 Deines et al.  
4,151,092 A 4/1979 Grimm  
4,172,796 A 10/1979 Corder  
D256,944 S 9/1980 Fox  
4,359,384 A 11/1982 Brane  
4,379,053 A 4/1983 Brane  
4,489,616 A 12/1984 Priddy  
4,504,389 A 3/1985 Rundzaitis  
4,681,677 A 7/1987 Kuh  
4,686,037 A 8/1987 Lang  
4,698,164 A 10/1987 Ellis  
D296,925 S 7/1988 Groezinger  
4,769,135 A 9/1988 Norton  
4,770,768 A 9/1988 Lang  
4,772,386 A 9/1988 Grout

www.torayvino.com web page dated Jun. 6, 2003 along with a translation into English, 15 pages.  
www.purwater.com web page dated Aug. 22, 2003, 11 pages.  
pur advertisement, 2 pages.

*Primary Examiner*—Robin V. Taylor  
(74) *Attorney, Agent, or Firm*—Woodling, Krost and Rust

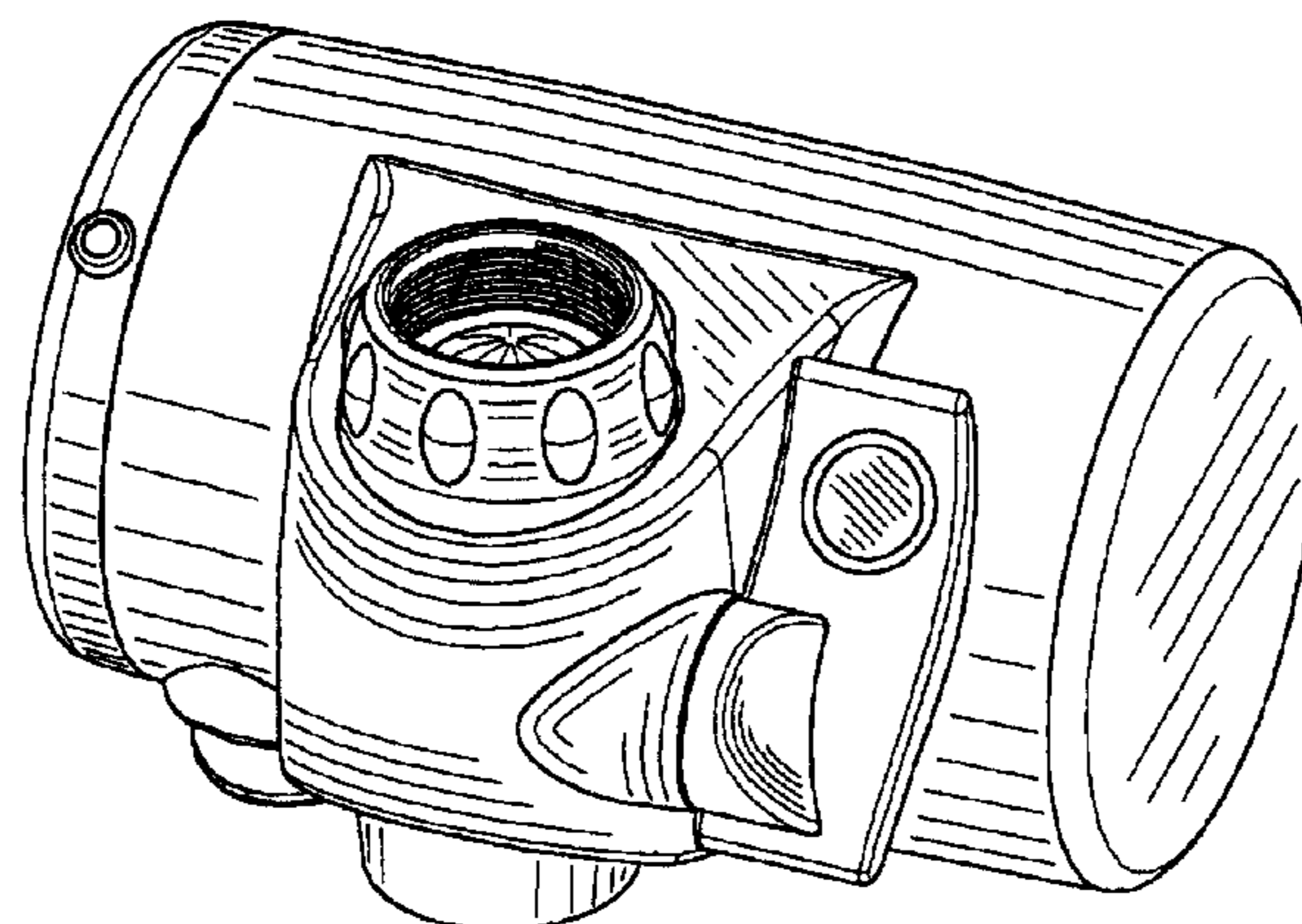
(57) **CLAIM**

The ornamental design for a water filter, as shown and described.

**DESCRIPTION**

FIG. 1 is a perspective view of our design.  
FIG. 2 is a front view of our design.  
FIG. 3 is a left side view of our design.  
FIG. 4 is a right side view of our design.  
FIG. 5 is a top view of our design.  
FIG. 6 is a bottom view of our design; and,  
FIG. 7 is a rear view of our design.

**1 Claim, 4 Drawing Sheets**



# US D498,512 S

Page 2

## U.S. PATENT DOCUMENTS

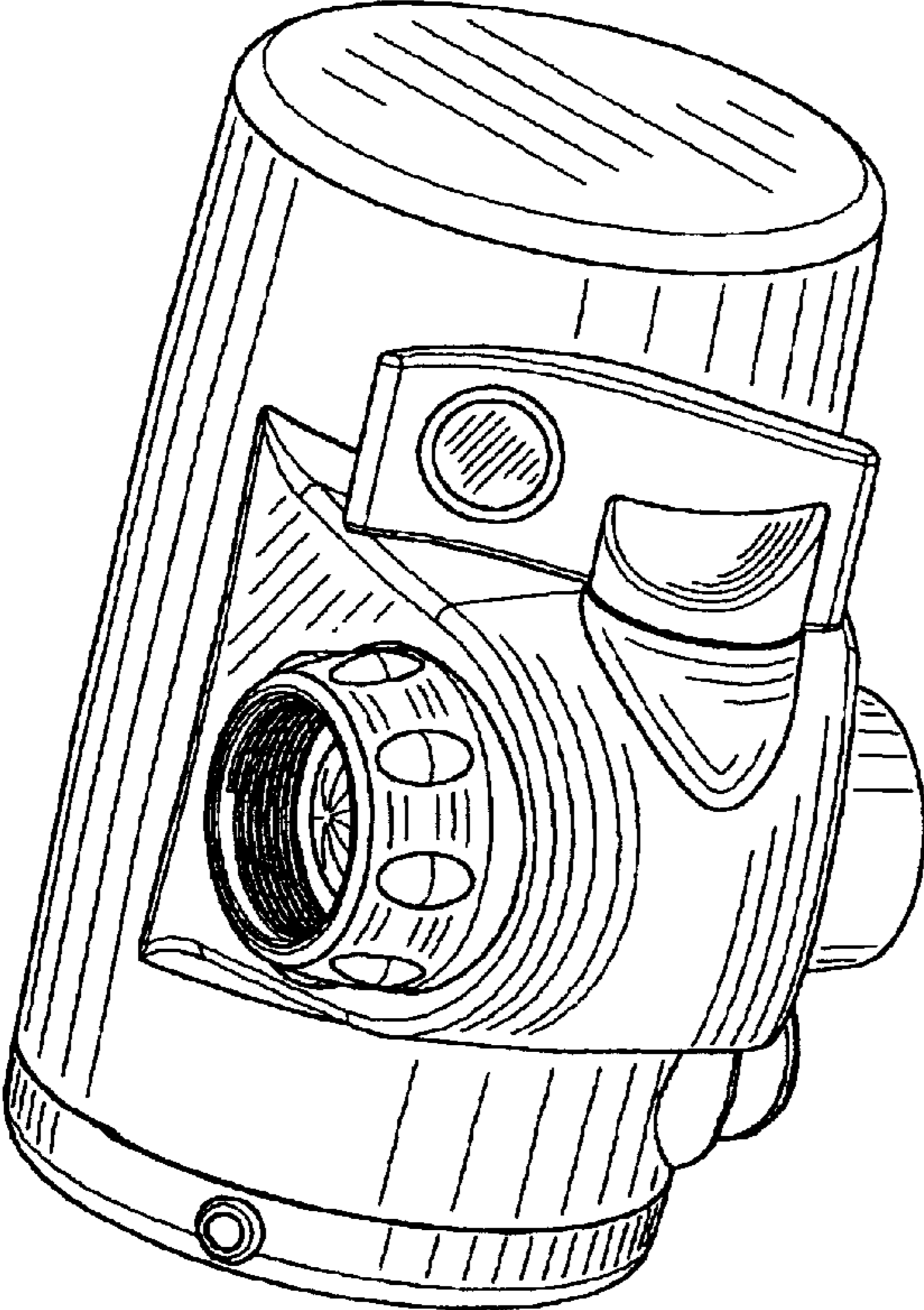
5,017,286 A 5/1991 Heiligman  
5,050,772 A 9/1991 Brane  
5,065,901 A 11/1991 Brane  
5,086,144 A 2/1992 Ozkahyaoglu  
5,099,870 A 3/1992 Moore  
5,108,606 A 4/1992 Maglio  
D328,333 S 7/1992 Casberg  
D328,942 S \* 8/1992 Igami et al. .... D23/209  
5,151,179 A 9/1992 Bach  
5,160,038 A 11/1992 Harada  
5,164,082 A 11/1992 Lin  
5,192,436 A 3/1993 Sasaki  
5,248,417 A 9/1993 Reid  
5,254,242 A 10/1993 Van Der Meer  
5,256,287 A 10/1993 Underwood  
5,273,650 A 12/1993 Vermes  
5,279,748 A 1/1994 Hackett  
5,328,609 A 7/1994 Magnusson  
5,337,956 A 8/1994 Crutcher  
5,340,478 A 8/1994 Strand  
5,525,214 A 6/1996 Hembree  
5,527,451 A 6/1996 Hembree  
5,536,394 A 7/1996 Lund  
5,580,447 A 12/1996 Platter  
D377,515 S 1/1997 Hembree  
5,622,618 A 4/1997 Brane  
5,652,008 A 7/1997 Heiligman  
RE35,667 E 11/1997 Heiligman  
5,685,981 A 11/1997 Koslow  
5,705,067 A 1/1998 Sumi  
5,753,118 A 5/1998 Yang  
5,785,844 A 7/1998 Lund

D398,369 S \* 9/1998 Hayes et al. .... D23/209  
D398,703 S 9/1998 Hayes  
5,833,849 A \* 11/1998 Primdahl ..... 210/232  
5,935,426 A 8/1999 Giordano  
5,976,362 A 11/1999 Wadsworth  
5,976,432 A 11/1999 Yang  
5,989,425 A 11/1999 Yonezawa  
6,093,313 A 7/2000 Bovaird  
6,106,705 A 8/2000 Giordano  
6,123,837 A 9/2000 Wadsworth  
6,149,801 A 11/2000 Giordano  
D438,592 S \* 3/2001 Gaston et al. .... D23/209  
D441,834 S 5/2001 McGrath  
6,241,103 B1 6/2001 Hembree  
6,241,880 B1 6/2001 Yahr  
6,251,274 B1 6/2001 Shepherd  
6,284,129 B1 9/2001 Giordano  
D453,952 S \* 2/2002 Gaston et al. .... D23/209  
6,482,325 B1 11/2002 Corlett  
6,517,707 B2 2/2003 Giordano  
6,517,720 B1 2/2003 Aldred  
6,571,960 B2 6/2003 Williamson et al.

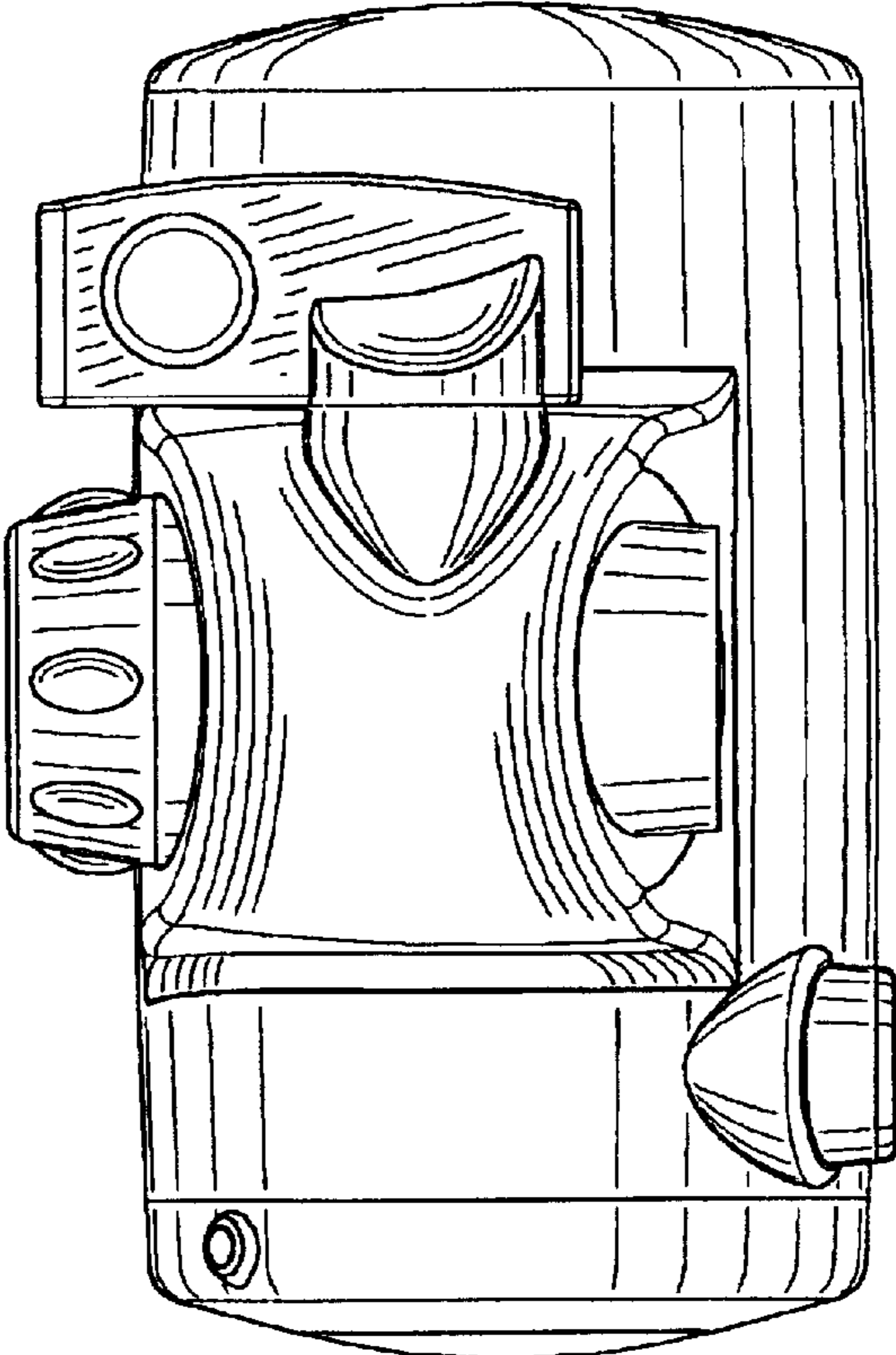
## FOREIGN PATENT DOCUMENTS

JP 09-264441 10/1997  
JP 11-217858 8/1999  
JP 11-270720 10/1999  
JP 2000-210661 8/2000  
JP 2000-304141 11/2000  
JP 2001-162113 6/2001  
JP 2003-15616 5/2003  
JP 2003-156160 5/2003

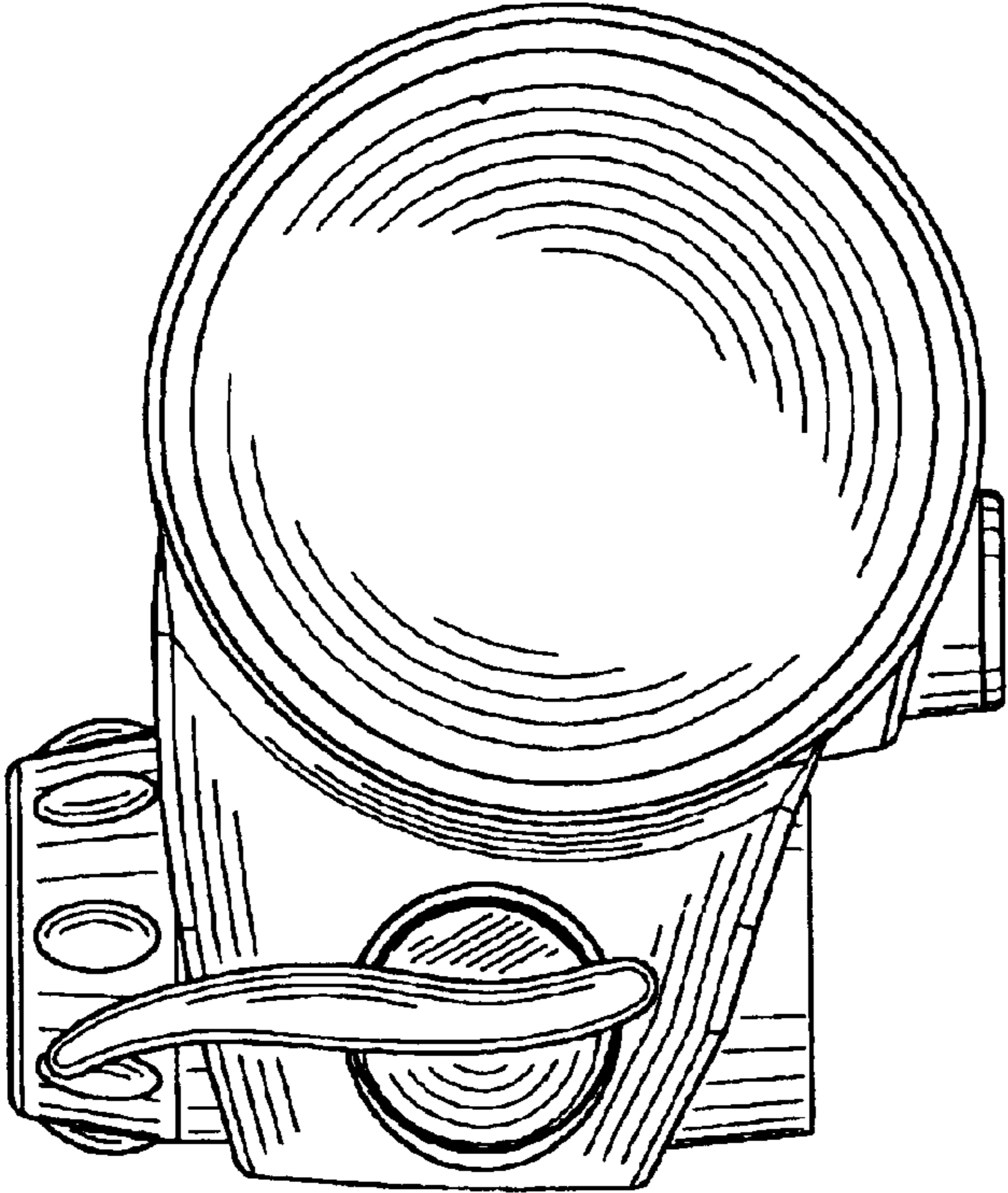
\* cited by examiner



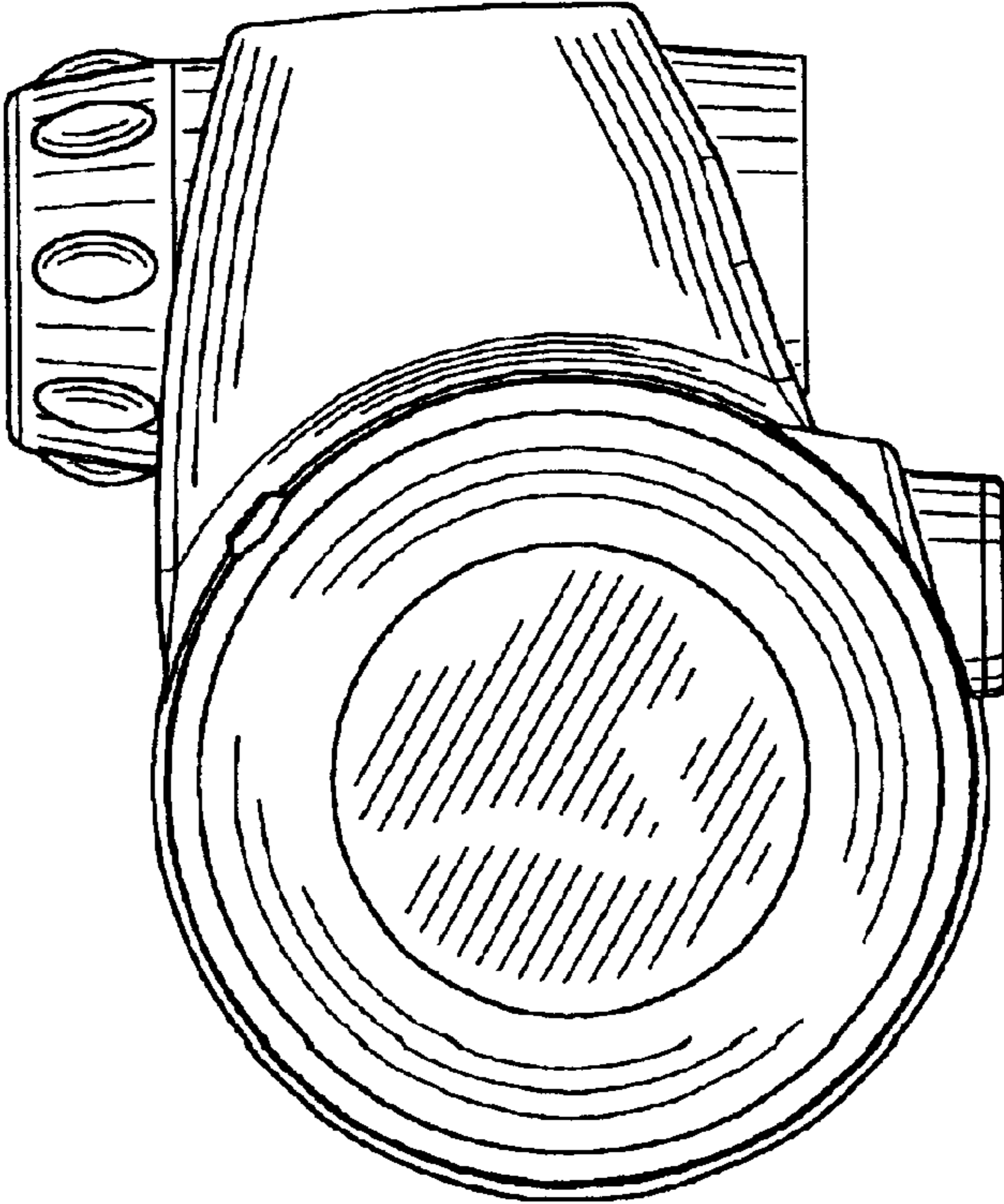
**FIG. 1**



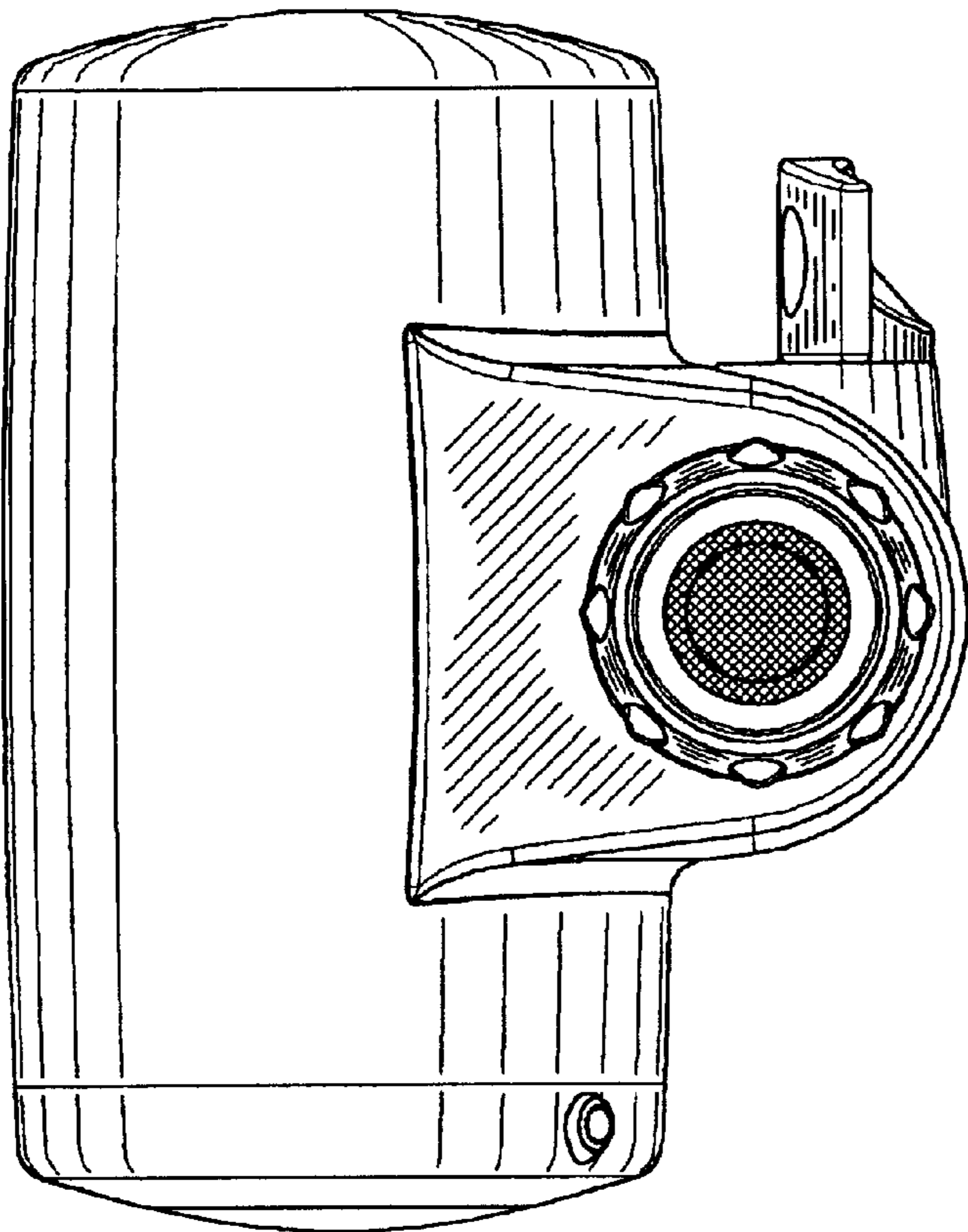
**FIG. 2**



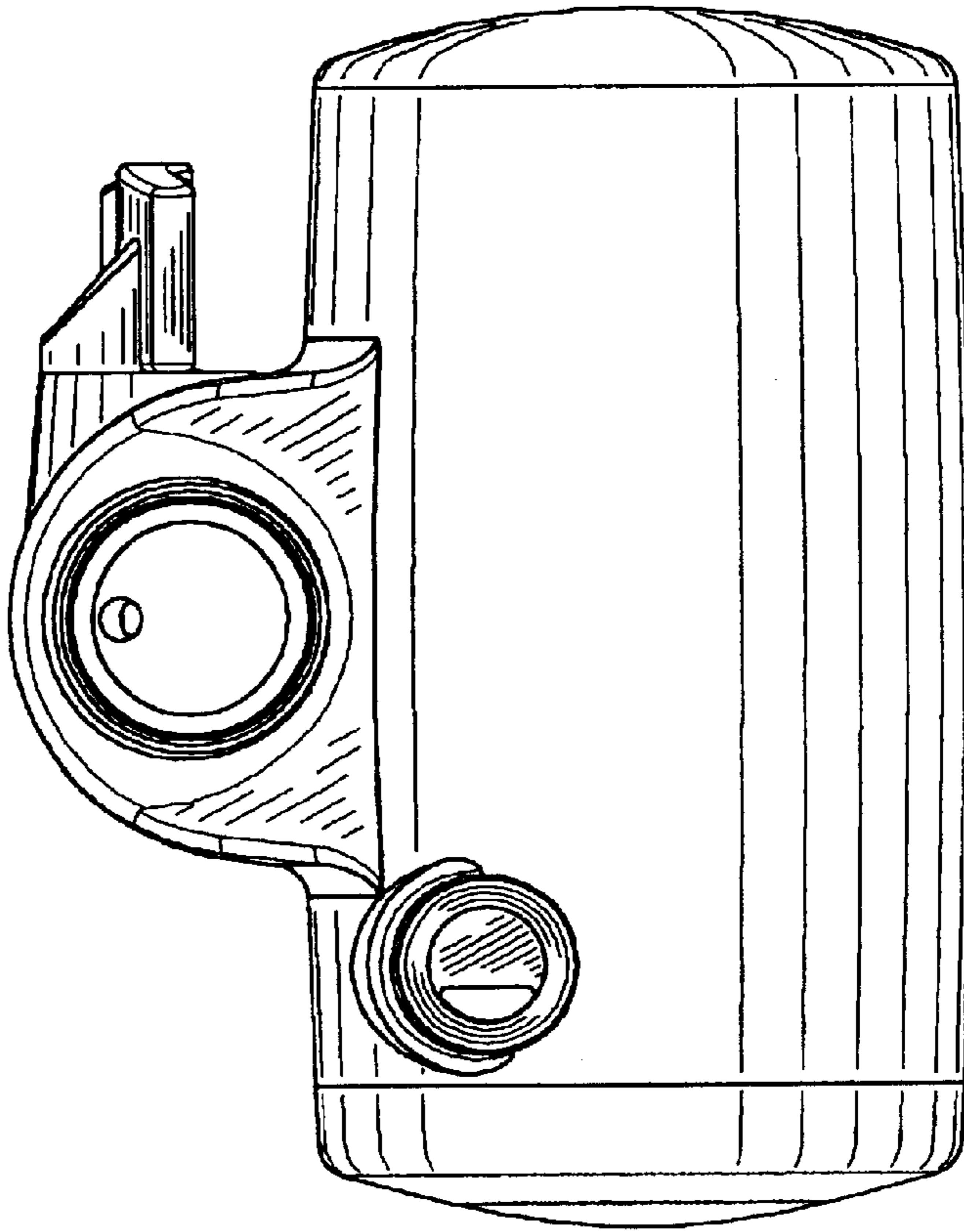
**FIG. 4**



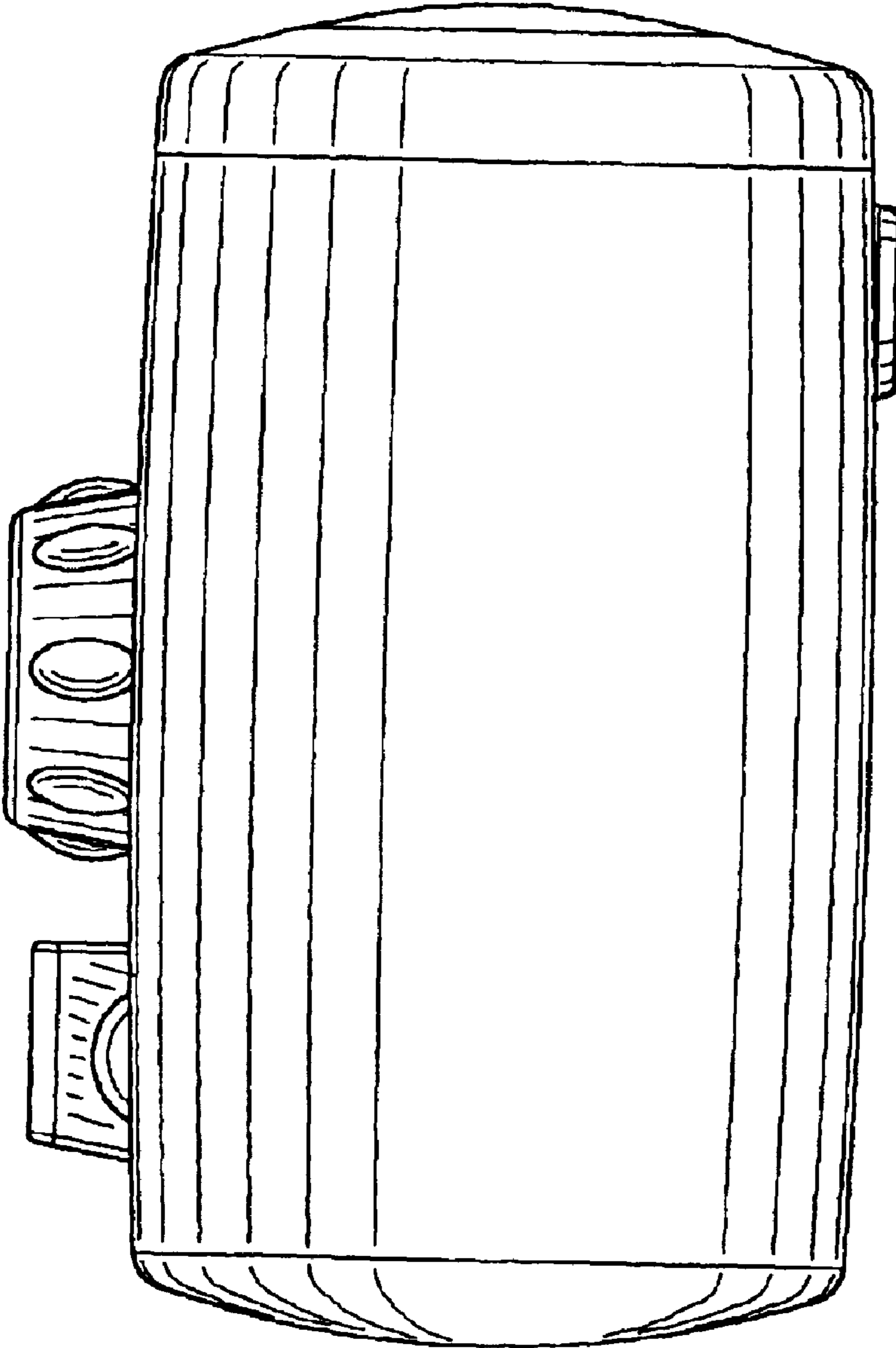
**FIG. 3**



**FIG. 5**



**FIG. 6**



**FIG. 7**