

US00D498507S

(12) **United States Design Patent**  
**Gamble**

(10) **Patent No.:** **US D498,507 S**

(45) **Date of Patent:** **\*\* Nov. 16, 2004**

(54) **GOLF CLUB HEAD**

(76) **Inventor:** **Christopher L. Gamble**, P.O. Box  
9154, Canoga Park, CA (US) 91309

(\*\*) **Term:** **14 Years**

(21) **Appl. No.:** **29/166,806**

(22) **Filed:** **Sep. 3, 2002**

(51) **LOC (7) Cl.** ..... **21-02**

(52) **U.S. Cl.** ..... **D21/752; D21/736**

(58) **Field of Search** ..... **D21/736-746,**  
**D21/733, 752; 473/324, 327-331, 340-344,**  
**251-256**

(56) **References Cited**

**U.S. PATENT DOCUMENTS**

D245,720 S \* 9/1977 Romero ..... D21/733  
D401,301 S \* 11/1998 Cherevko ..... D21/733

\* cited by examiner

*Primary Examiner*—Mitchell Siegel

(74) *Attorney, Agent, or Firm*—Gregory J. Nelson

(57) **CLAIM**

I claim the ornamental design for a golf club head, as shown and described.

**DESCRIPTION**

FIG. 1 is a front perspective view showing the golf club head of my design;

FIG. 2 is a front view thereof;

FIG. 3 is a rear view thereof;

FIG. 4 is a top view thereof;

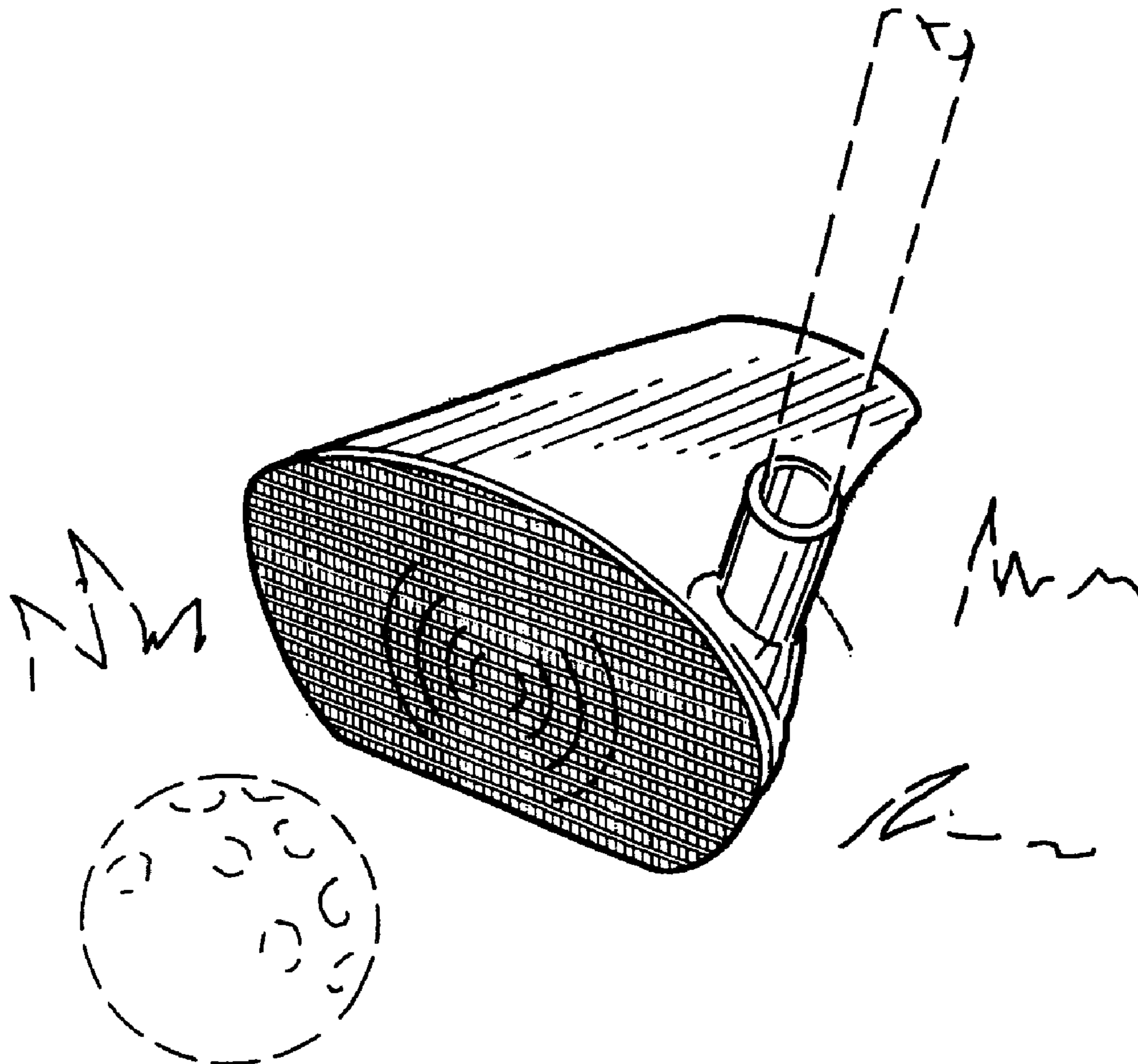
FIG. 5 is a bottom view thereof;

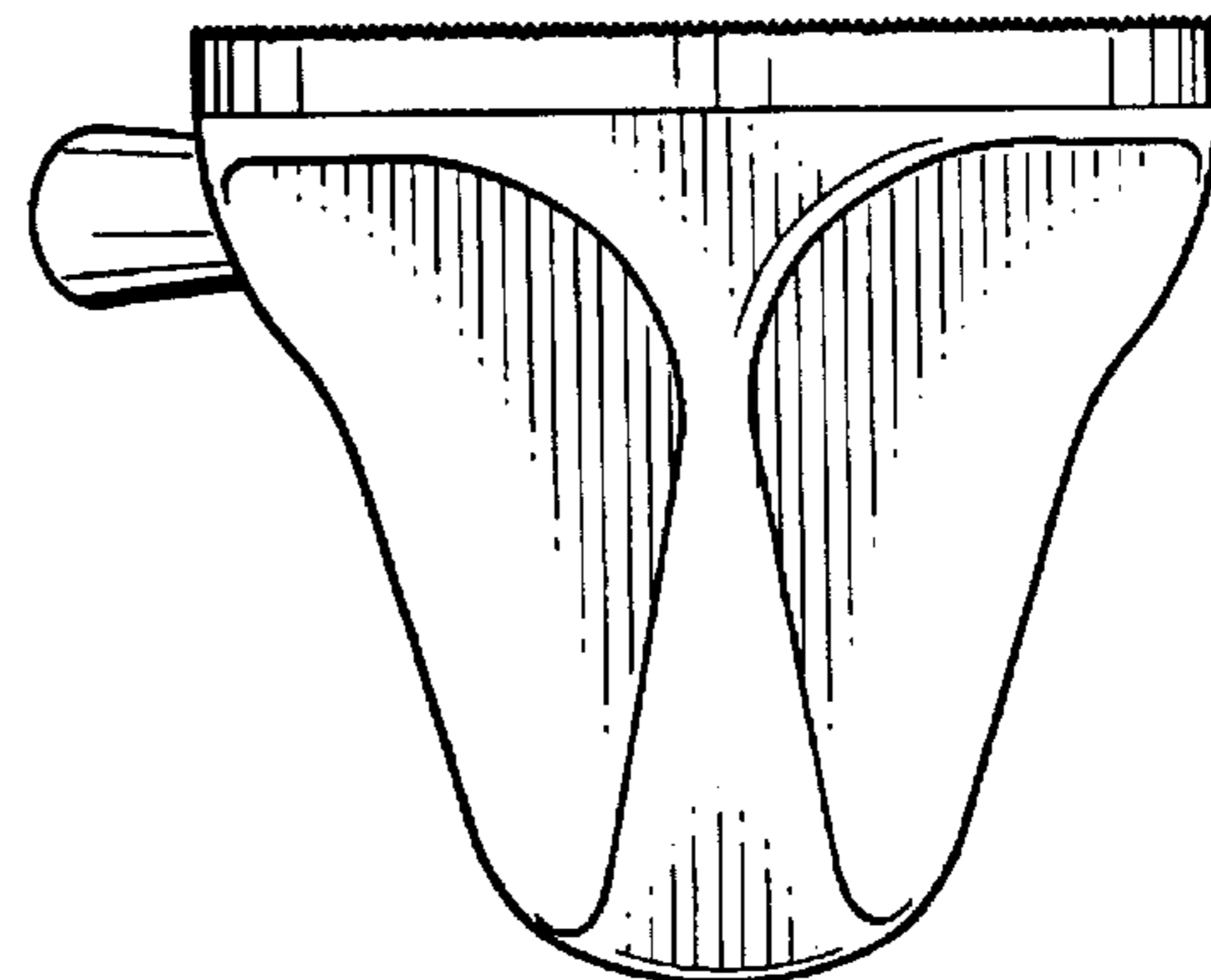
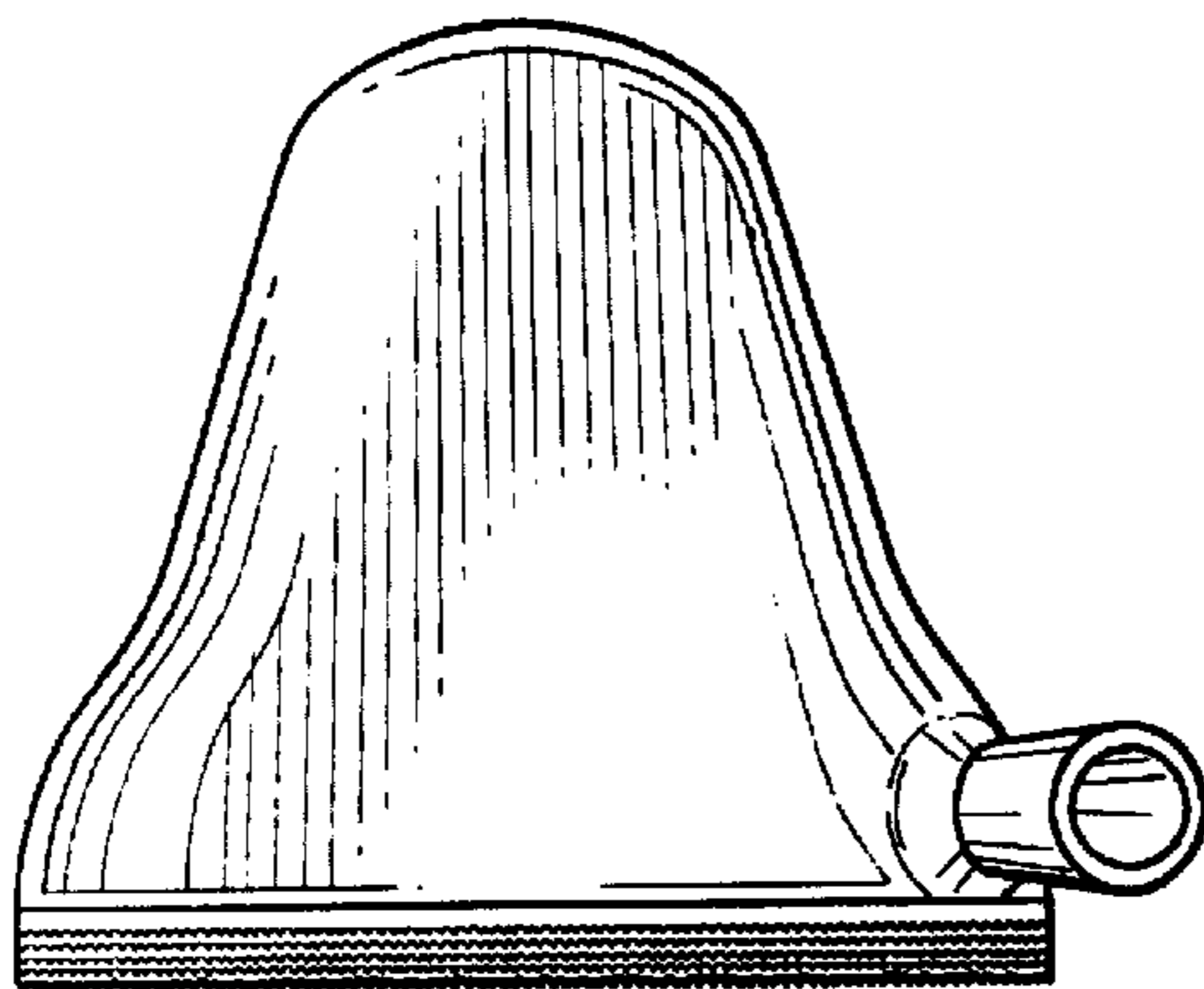
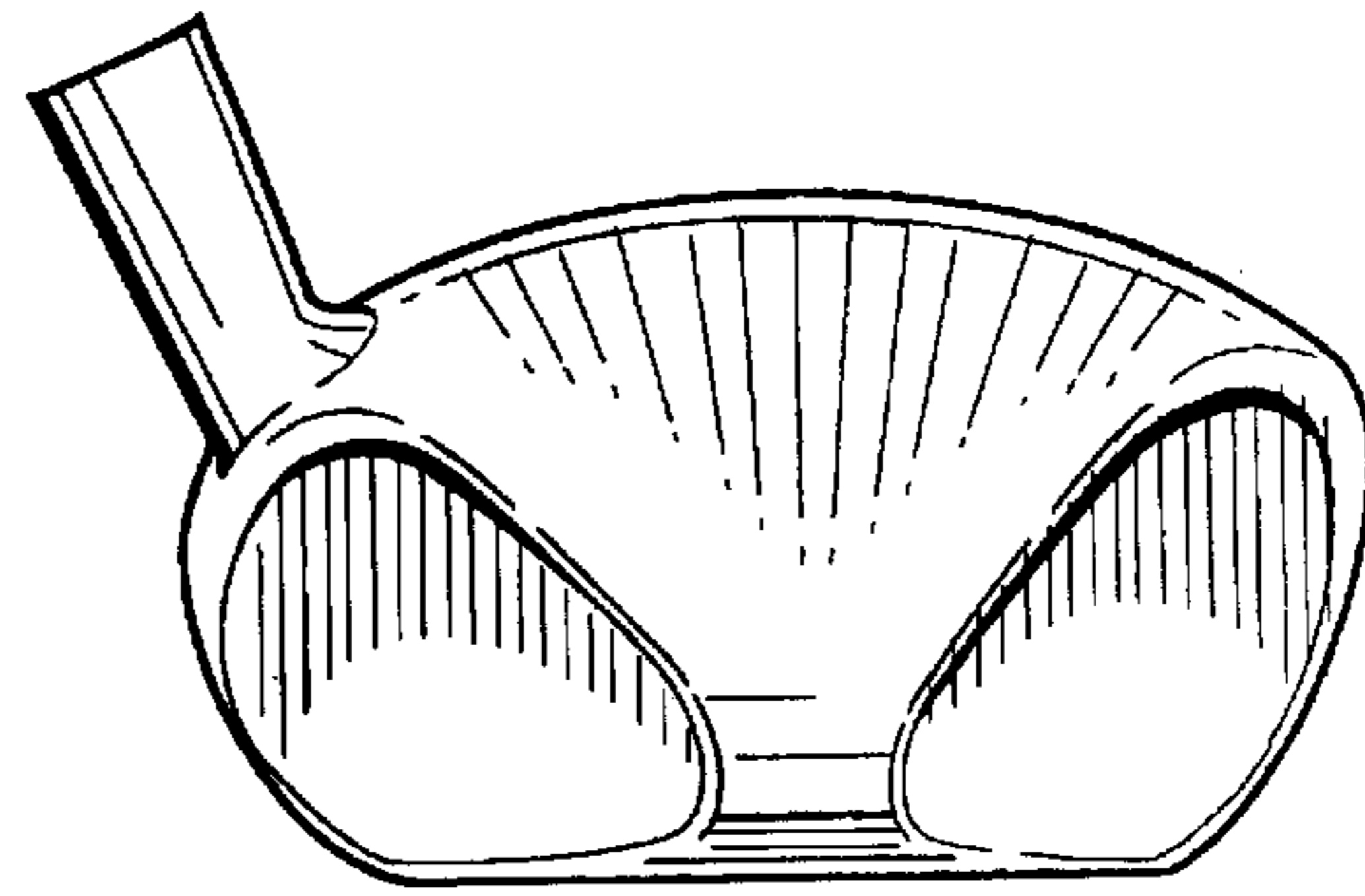
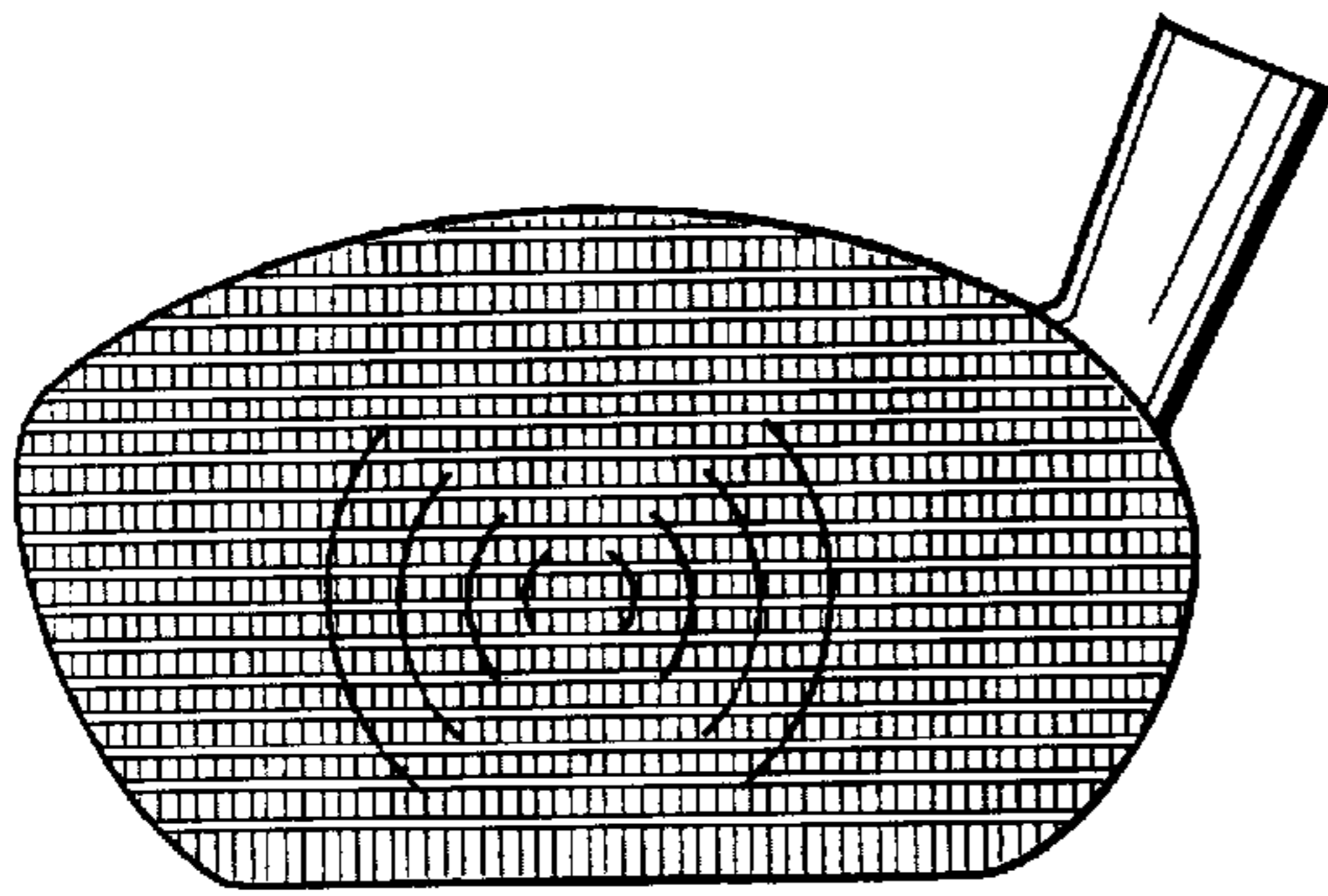
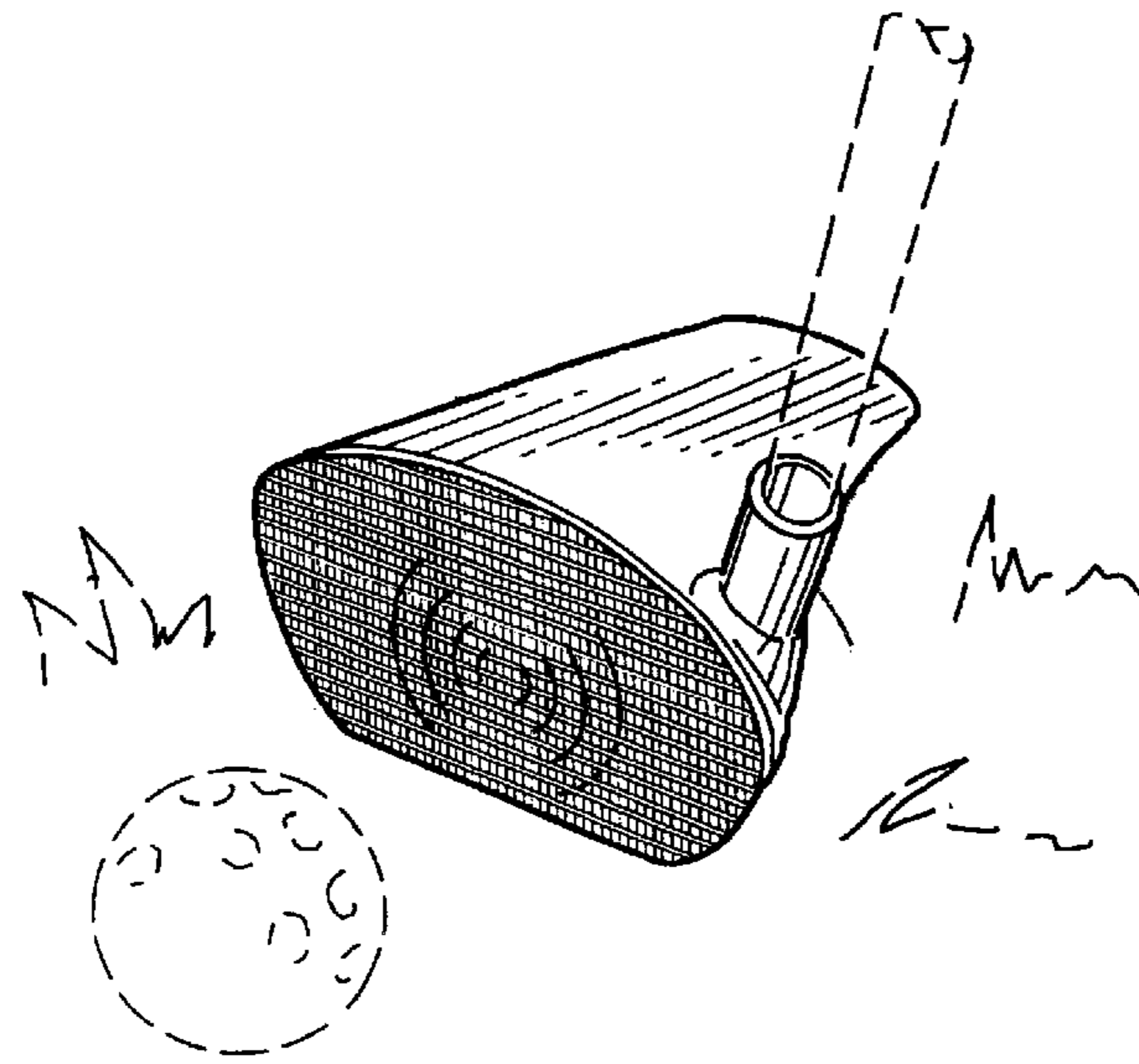
FIG. 6 is a view looking from the toe of the club head; and,

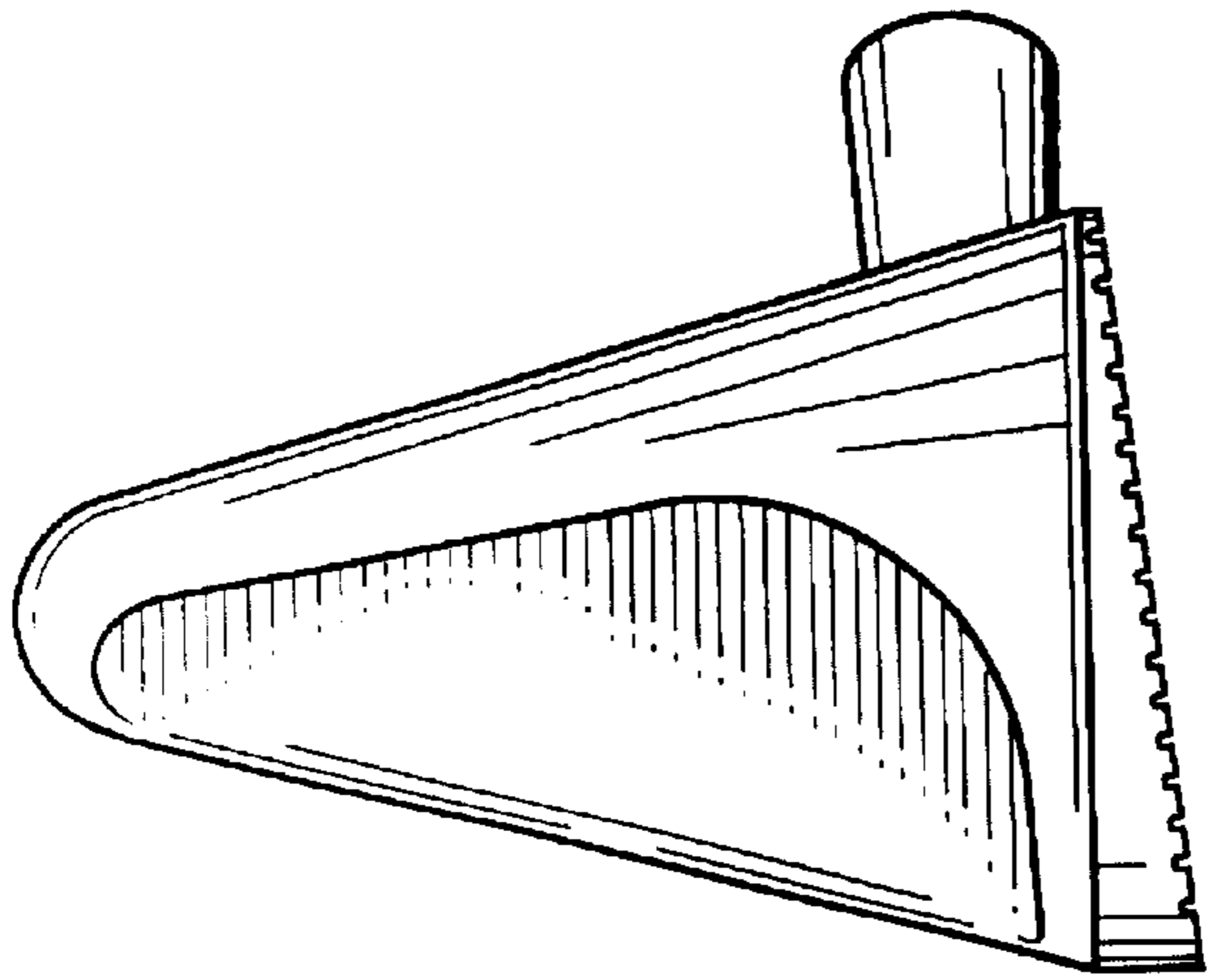
FIG. 7 is a view looking from the heel of the golf club head.

The broken line showing is for illustrative purposes only and forms no part of the claimed design.

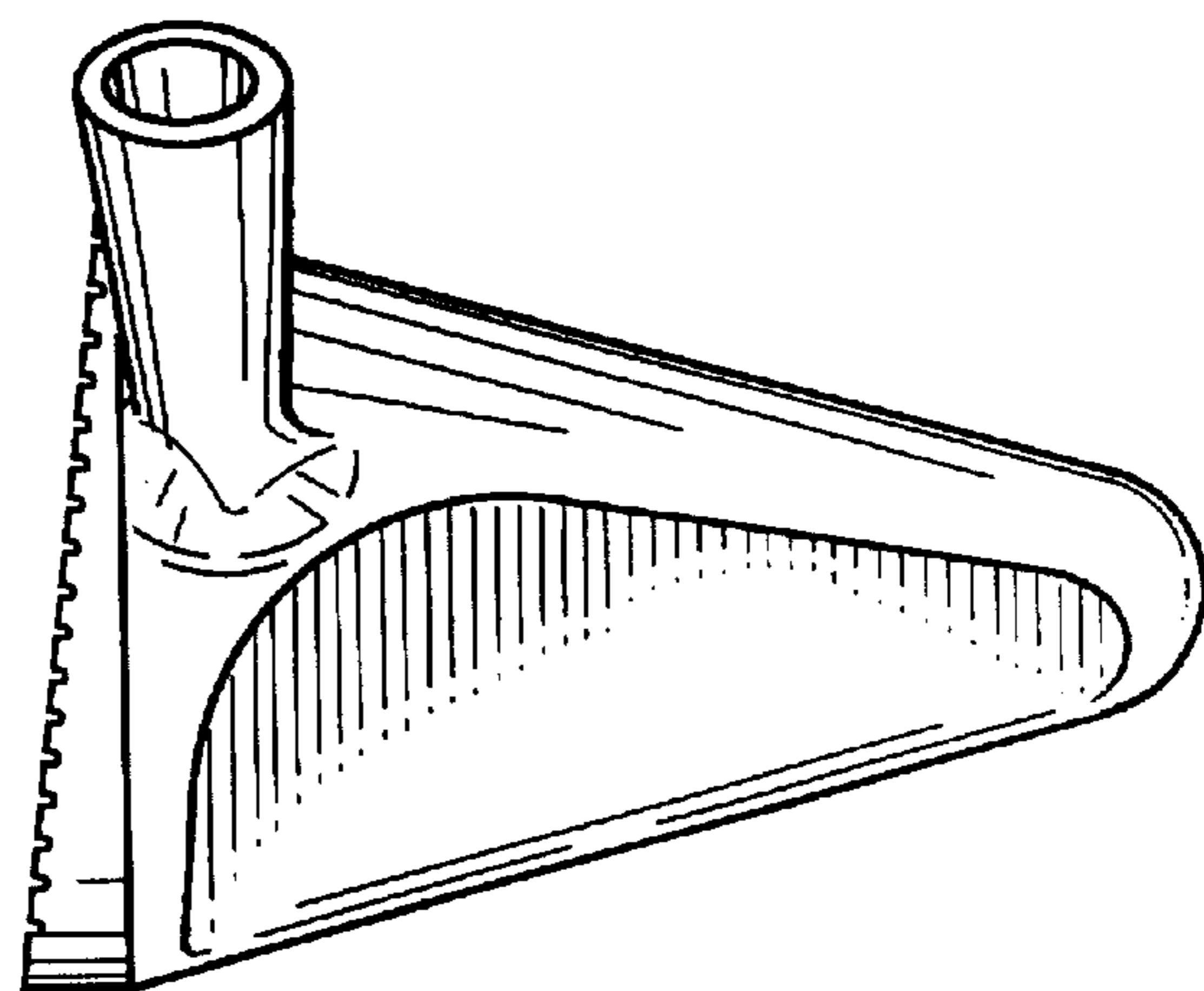
**1 Claim, 2 Drawing Sheets**







**FIG. 6.**



**FIG. 7.**