



US00D498501S

(12) **United States Design Patent**
Stoddard et al.

(10) **Patent No.:** **US D498,501 S**
(45) **Date of Patent:** **** Nov. 16, 2004**

(54) **FLAG DISPENSER**

(75) Inventors: **John Philip Stoddard**, Ben Lomond,
CA (US); **Michael John Nuttall**,
Portola Valley, CA (US); **Jennifer Ellen**
Davis-Wilson, Redwood City, CA (US)

(73) Assignee: **Thomas Direct Sales, Inc.**, Clifton, NJ
(US)

(**) Term: **14 Years**

(21) Appl. No.: **29/200,490**

(22) Filed: **Feb. 26, 2004**

(51) **LOC (7) Cl.** **19-02**

(52) **U.S. Cl.** **D19/86; D19/75; D19/95**

(58) **Field of Search** D19/65, 75, 78,
D19/86, 89, 92, 95, 99, 100; D9/353; D6/515,
518; 220/796; 221/33, 34, 44, 45, 46, 52,
61, 63, 281, 282; 206/214, 215

(56) **References Cited**

U.S. PATENT DOCUMENTS

1,440,046 A * 12/1922 Ziplinsky 220/796
4,796,781 A * 1/1989 Windorski 221/45
D302,832 S * 8/1989 King D19/75
D305,671 S * 1/1990 King D19/75

4,986,440 A * 1/1991 Windorski 221/52 X
D316,112 S * 4/1991 Windorski D19/86
5,080,255 A * 1/1992 Windorski 221/45
5,794,815 A * 8/1998 Carlson et al. 221/45

* cited by examiner

Primary Examiner—Martie K. Holtje

(74) *Attorney, Agent, or Firm*—Carr & Ferrell LLP

(57) **CLAIM**

The ornamental design for a flag dispenser, as shown and described.

DESCRIPTION

FIG. 1 is a perspective view of the flag dispenser showing top, front, and right sides of our new design;

FIG. 2 is a top view of the flag dispenser of FIG. 1;

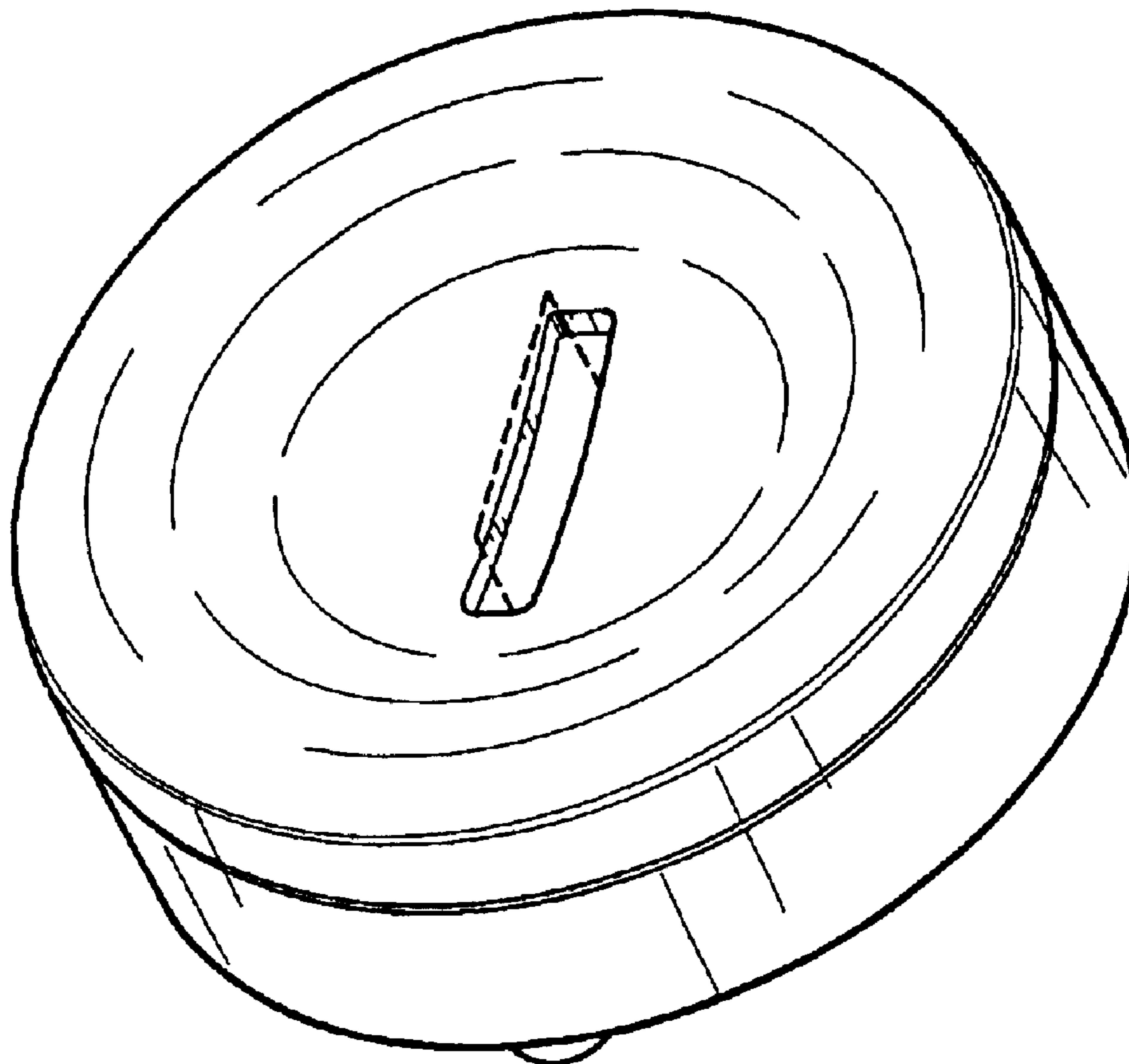
FIG. 3 is a front view of the flag dispenser of FIG. 1, the rear view being a mirror image of the front view;

FIG. 4 is a right side view of the flag dispenser of FIG. 1, the left side view being a mirror image of the right side view; and,

FIG. 5 is a bottom view of the flag dispenser of FIG. 1.

FIGS. 1-4 having broken lines illustrating a flag being dispensed. Broken lines showing the flag being dispensed are for illustrative purposes only and form no part of the claimed design.

1 Claim, 2 Drawing Sheets



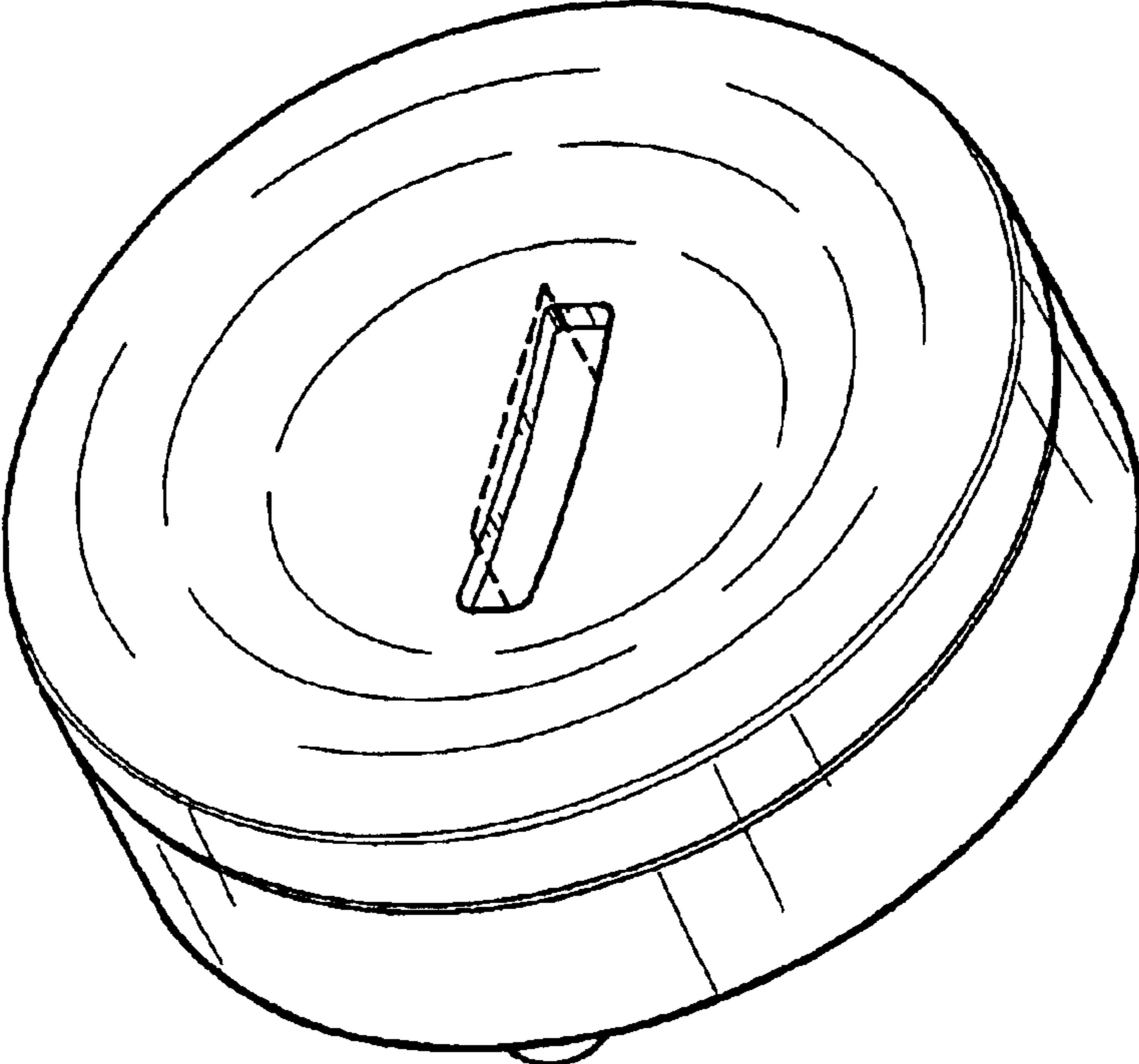


FIG. 1

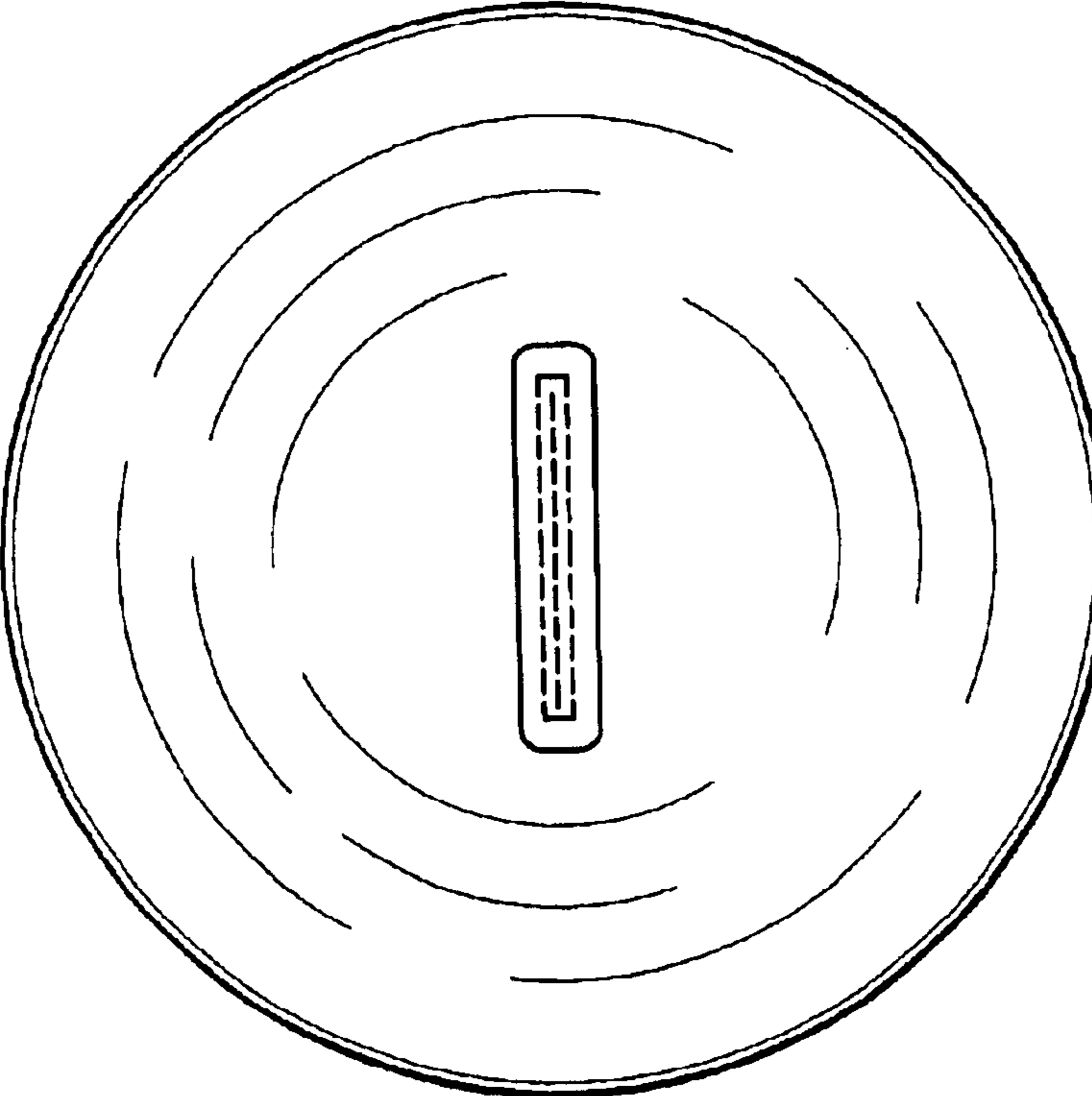


FIG. 2

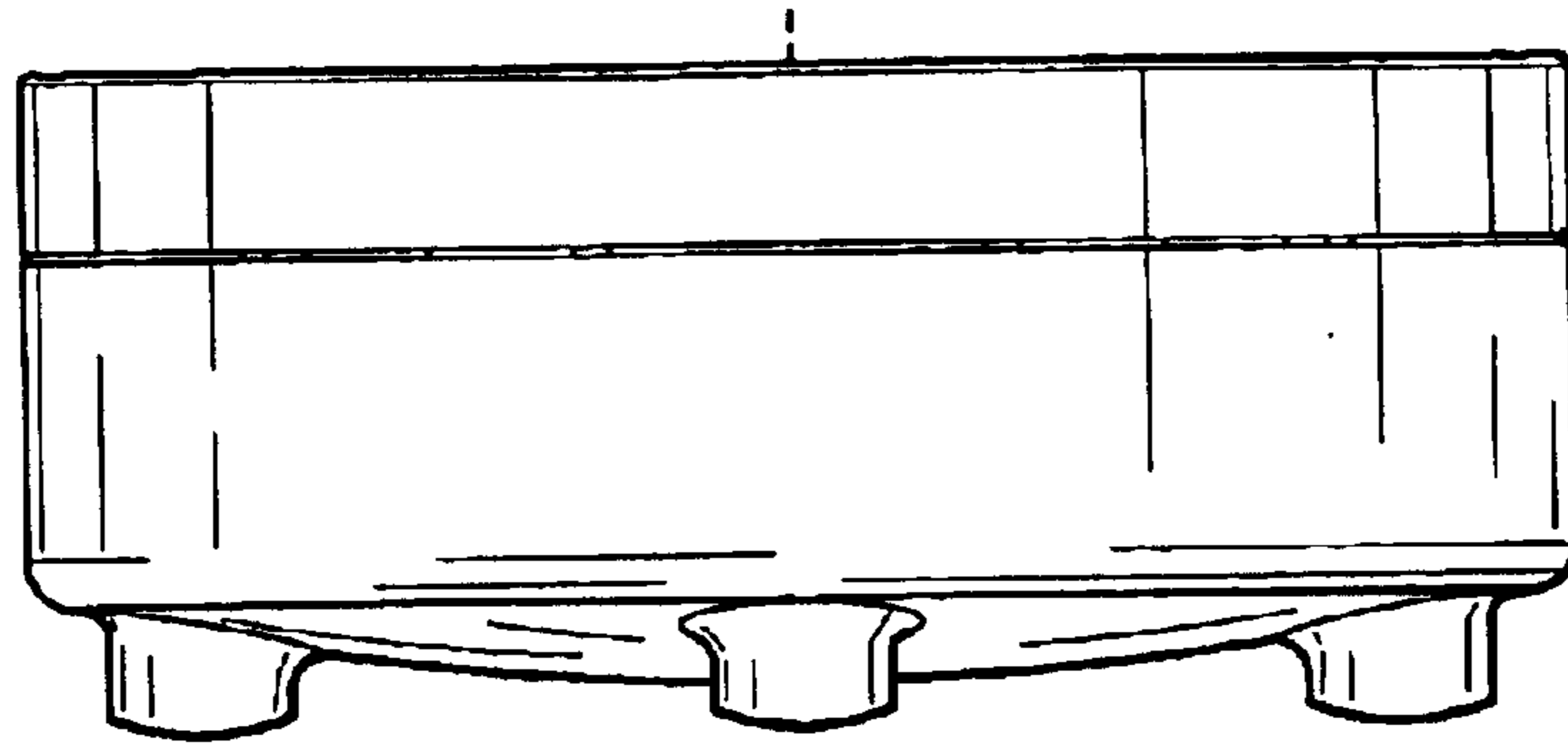


FIG. 3

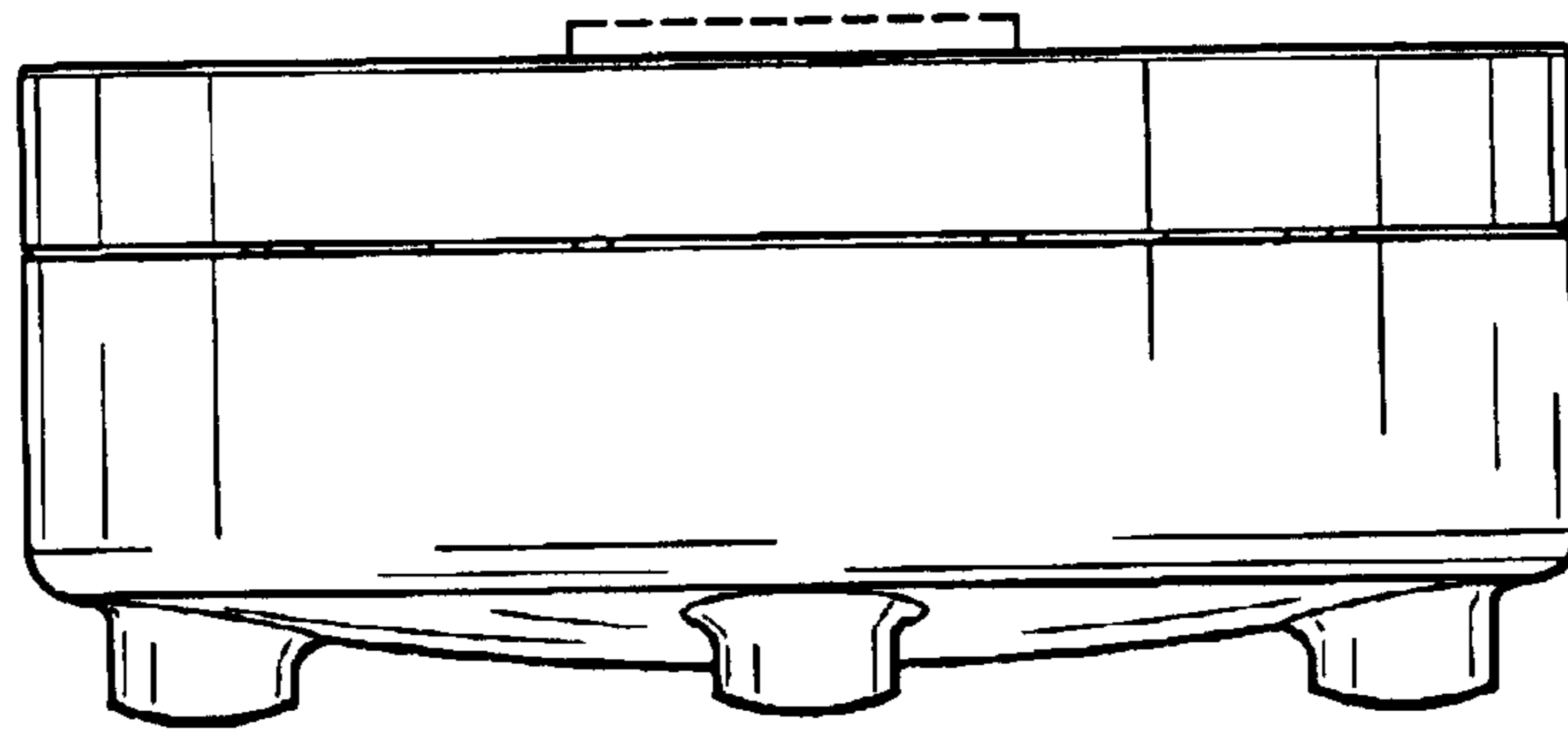


FIG. 4

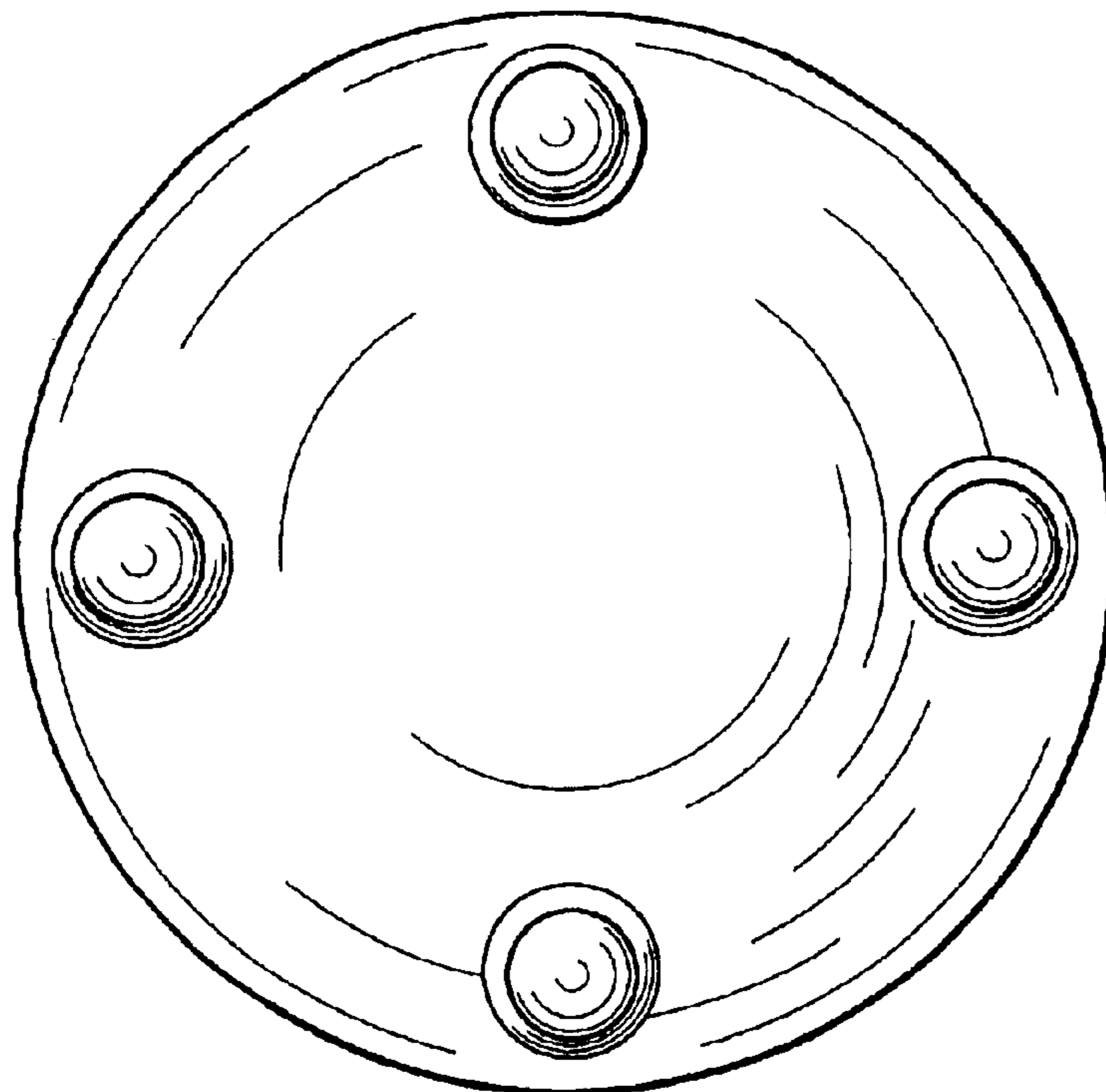


FIG. 5