



US00D498500S

(12) **United States Design Patent** (10) **Patent No.:** **US D498,500 S**
Stoddard et al. (45) **Date of Patent:** **** Nov. 16, 2004**

(54) **PAPERCLIP CONTAINER**
 (75) Inventors: **John Philip Stoddard**, Ben Lomond, CA (US); **Michael John Nuttall**, Portola Valley, CA (US); **Jennifer Ellen Davis-Wilson**, Redwood City, CA (US)

5,069,339 A * 12/1991 Hsu 206/340
 5,097,947 A * 3/1992 Hsu 206/214
 D340,744 S * 10/1993 Van Eijben D19/75
 6,216,856 B1 * 4/2001 Park 206/214
 D462,998 S * 9/2002 Slater et al. D19/85
 D488,836 S * 4/2004 Ghim D19/90

(73) Assignee: **Thomas Direct Sales, Inc.**, Clifton, NJ (US)

* cited by examiner

(**) Term: **14 Years**

Primary Examiner—Martie K. Holtje
 (74) *Attorney, Agent, or Firm*—Carr & Ferrell LLP

(21) Appl. No.: **29/200,471**

(22) Filed: **Feb. 26, 2004**

(57) **CLAIM**

The ornamental design for a paperclip container, as shown and described.

(51) **LOC (7) Cl.** **19-02**
 (52) **U.S. Cl.** **D19/75; D19/95**
 (58) **Field of Search** D19/35, 36, 65, D19/75, 79, 77, 92, 93, 95, 99, 100; 206/214, 224, 371, 338, 340, 350, 561, 818; 221/27, 42, 154, 211, 212, 312 C; 215/6, 12.1

DESCRIPTION

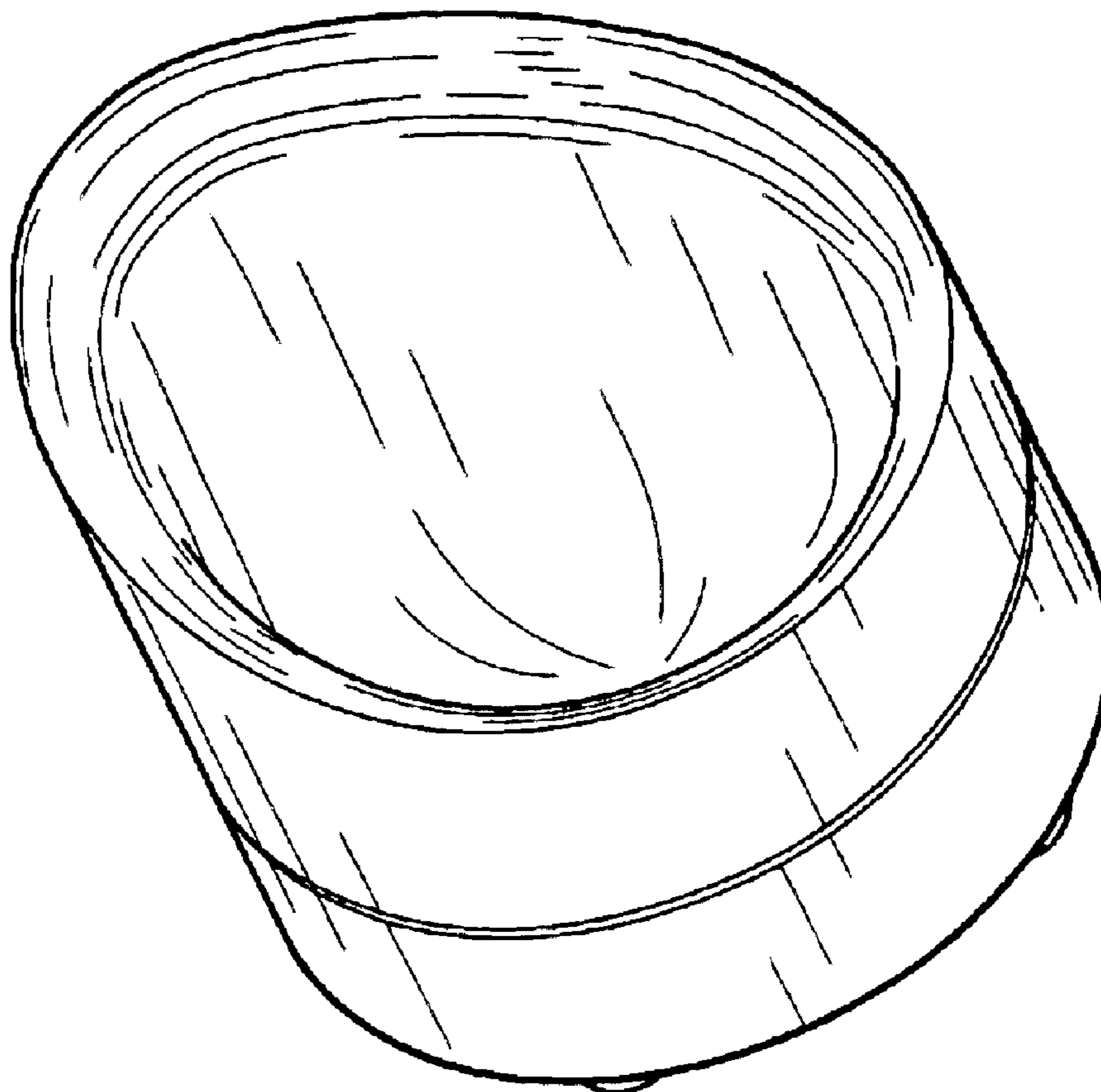
FIG. 1 is a perspective view of the paperclip container showing top, front, and left sides of our new design; FIG. 2 is a top view of the paperclip container of FIG. 1; FIG. 3 is a right side view of the paperclip container of FIG. 1, the left side being a mirror image of the right side view; FIG. 4 is a front view of the paperclip container of FIG. 1; FIG. 5 is a rear view of the paperclip container of FIG. 1; and, FIG. 6 is a bottom view of the paperclip container of FIG. 1.

(56) **References Cited**

U.S. PATENT DOCUMENTS

3,269,528 A * 8/1966 Leedy 206/338
 D231,139 S * 4/1974 Stahel D19/85
 D302,832 S * 8/1989 King D19/75

1 Claim, 2 Drawing Sheets



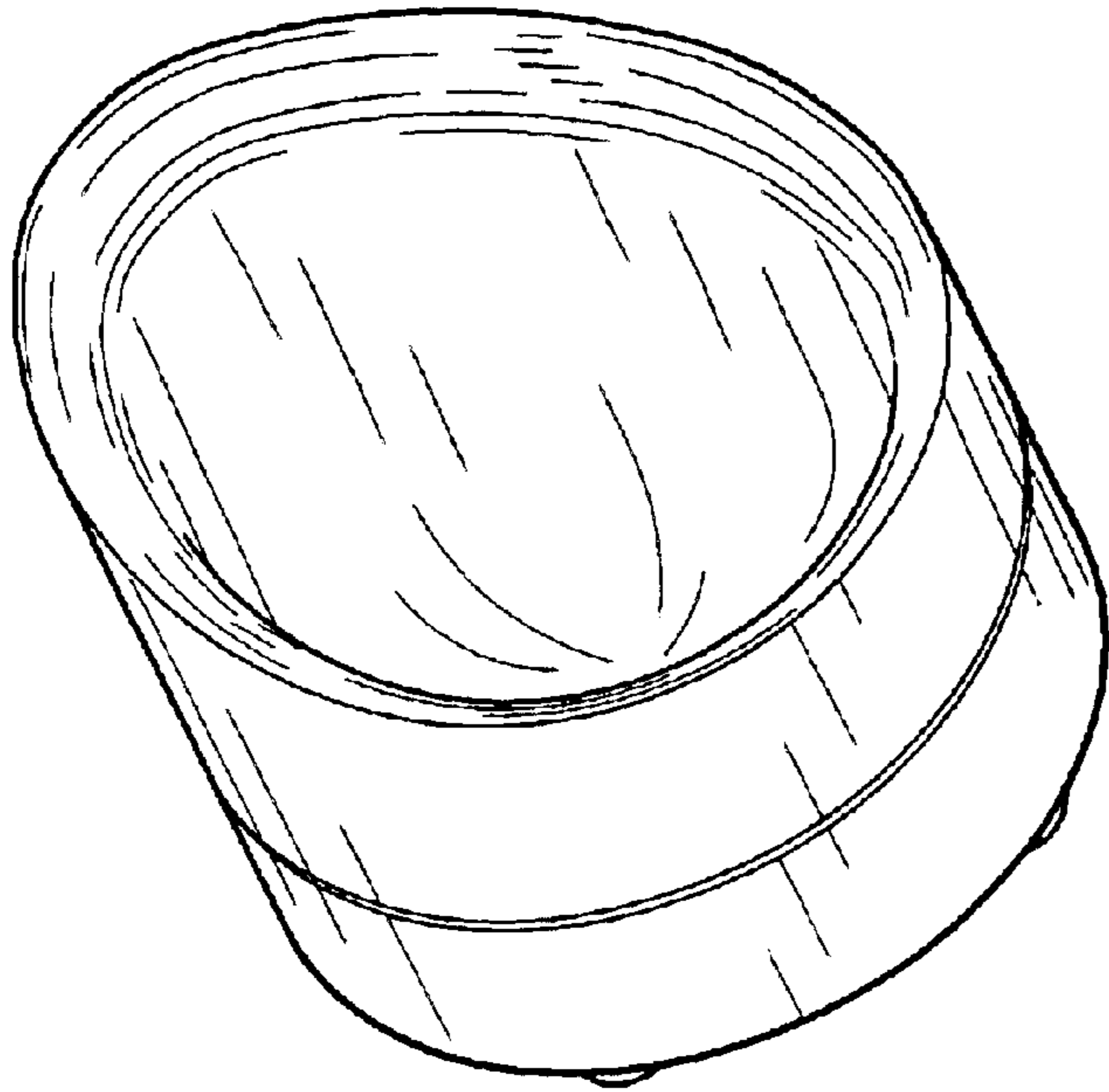


FIG. 1

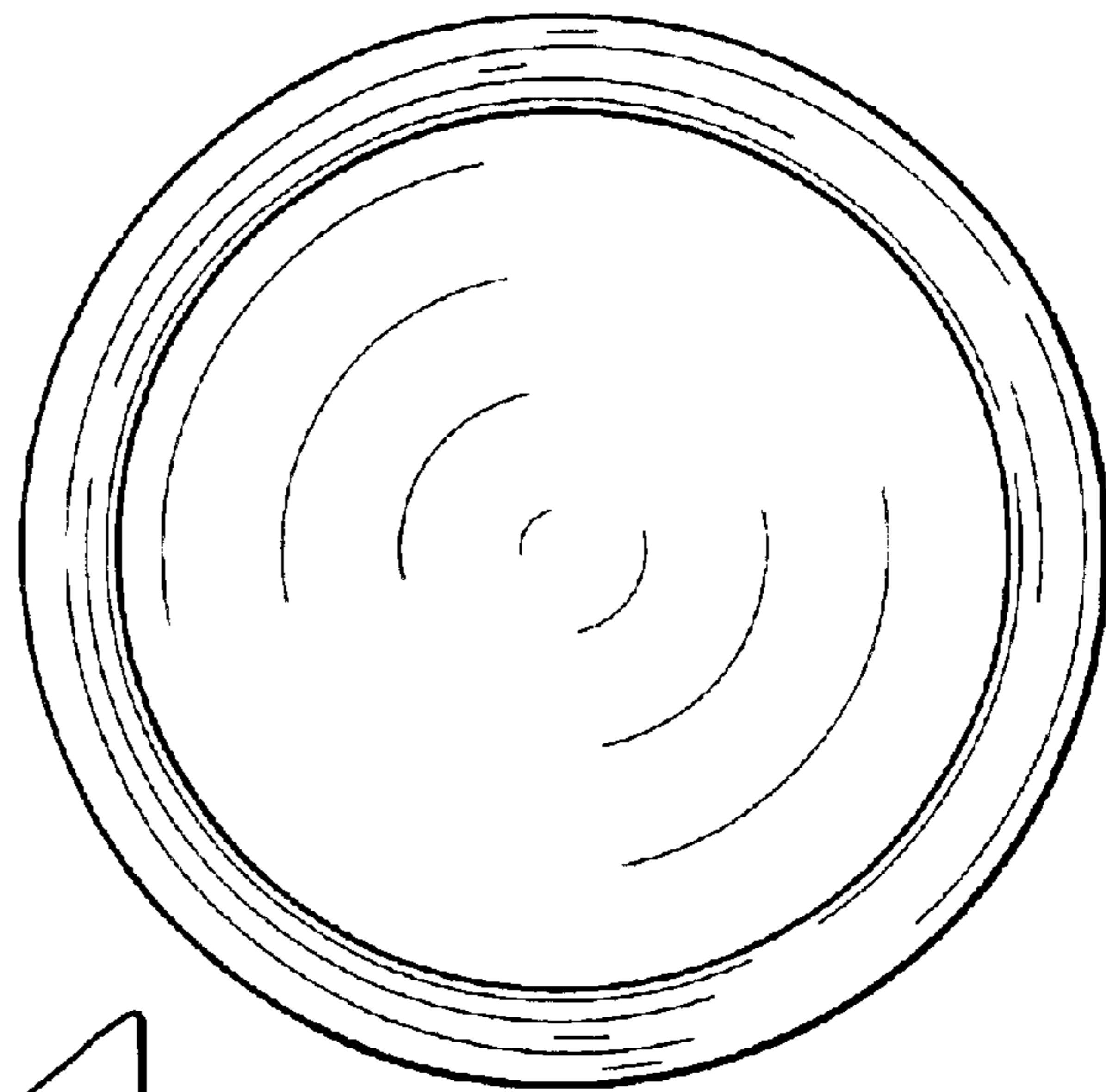


FIG. 2

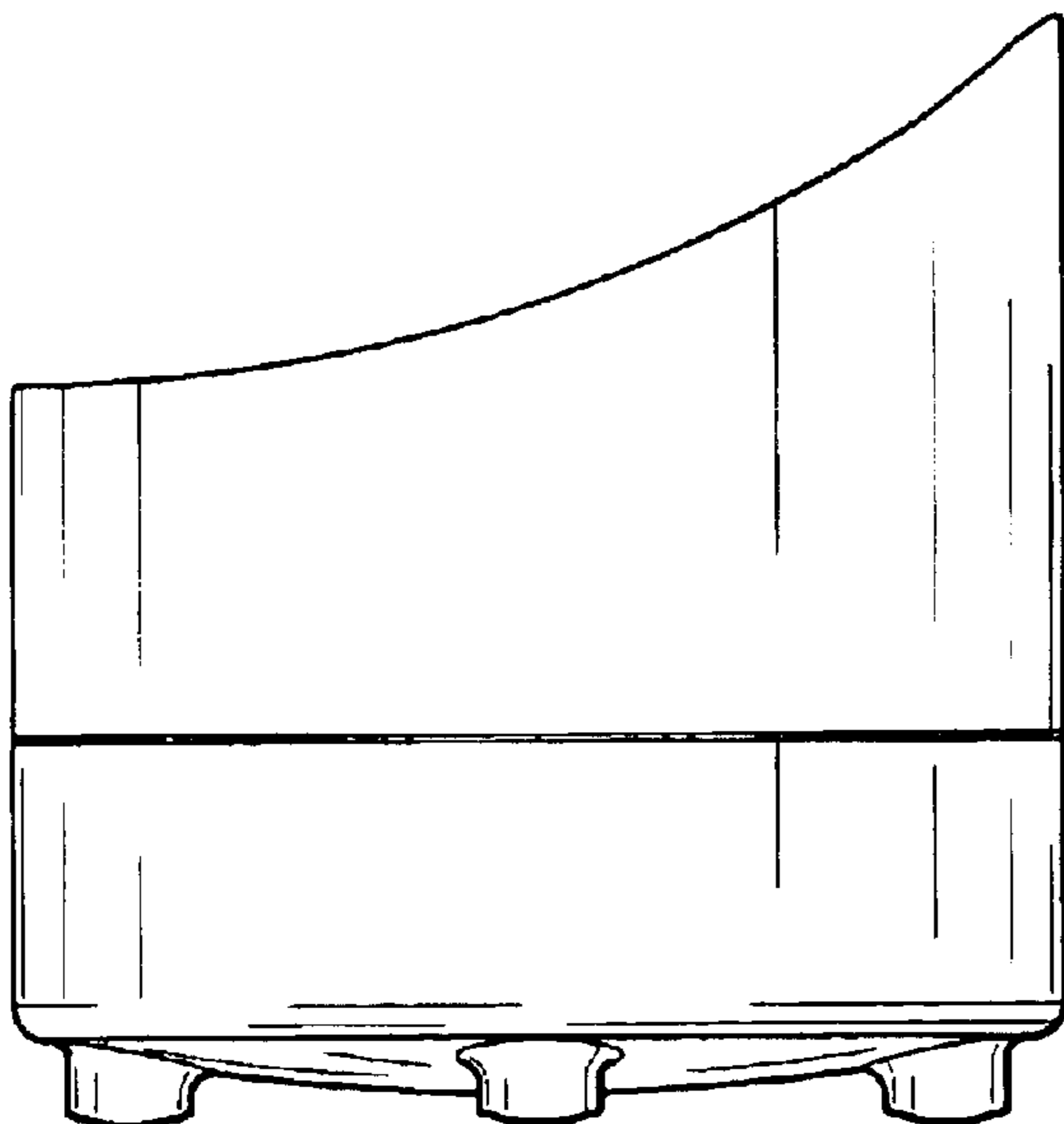


FIG. 3

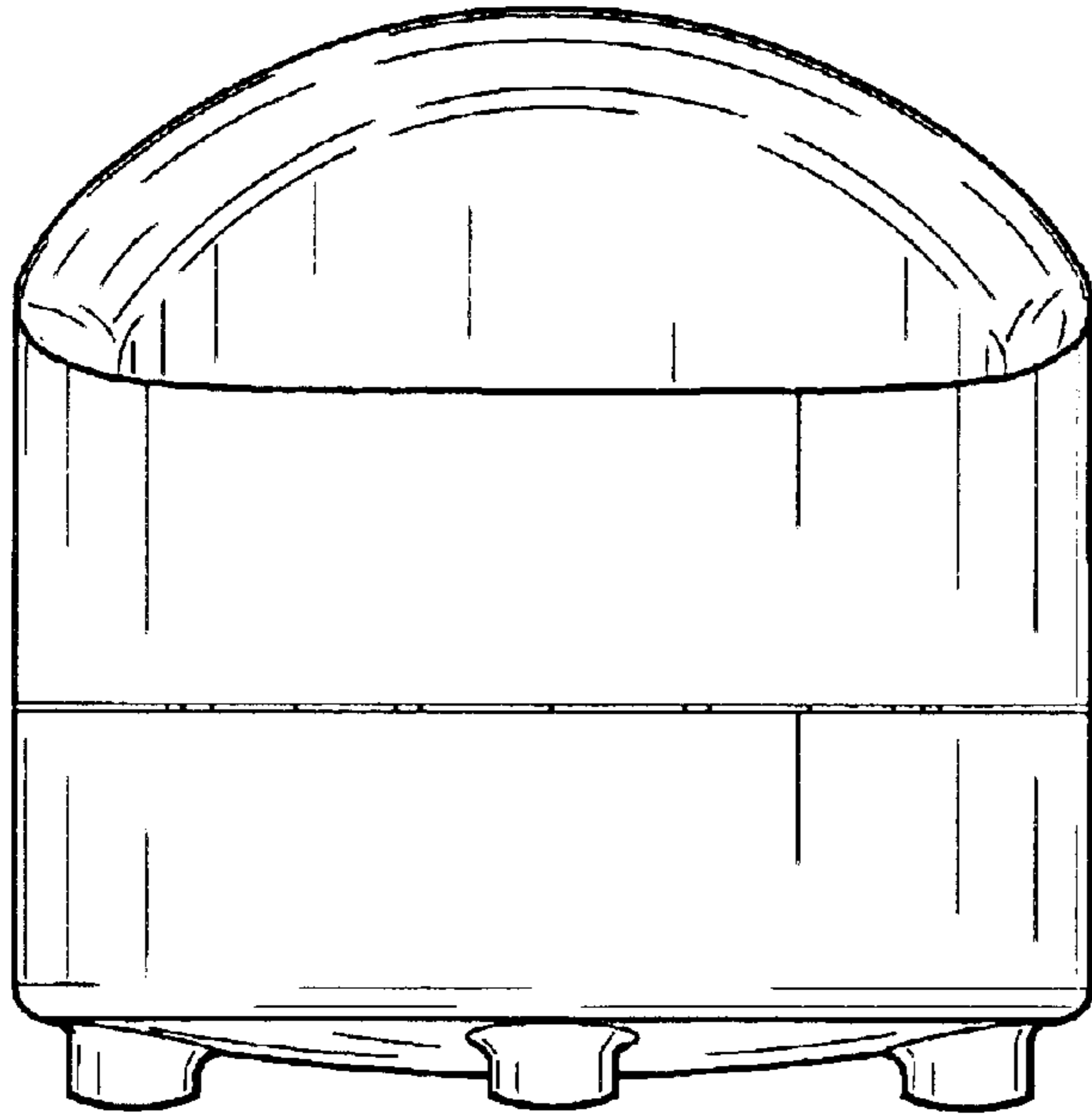


FIG. 4

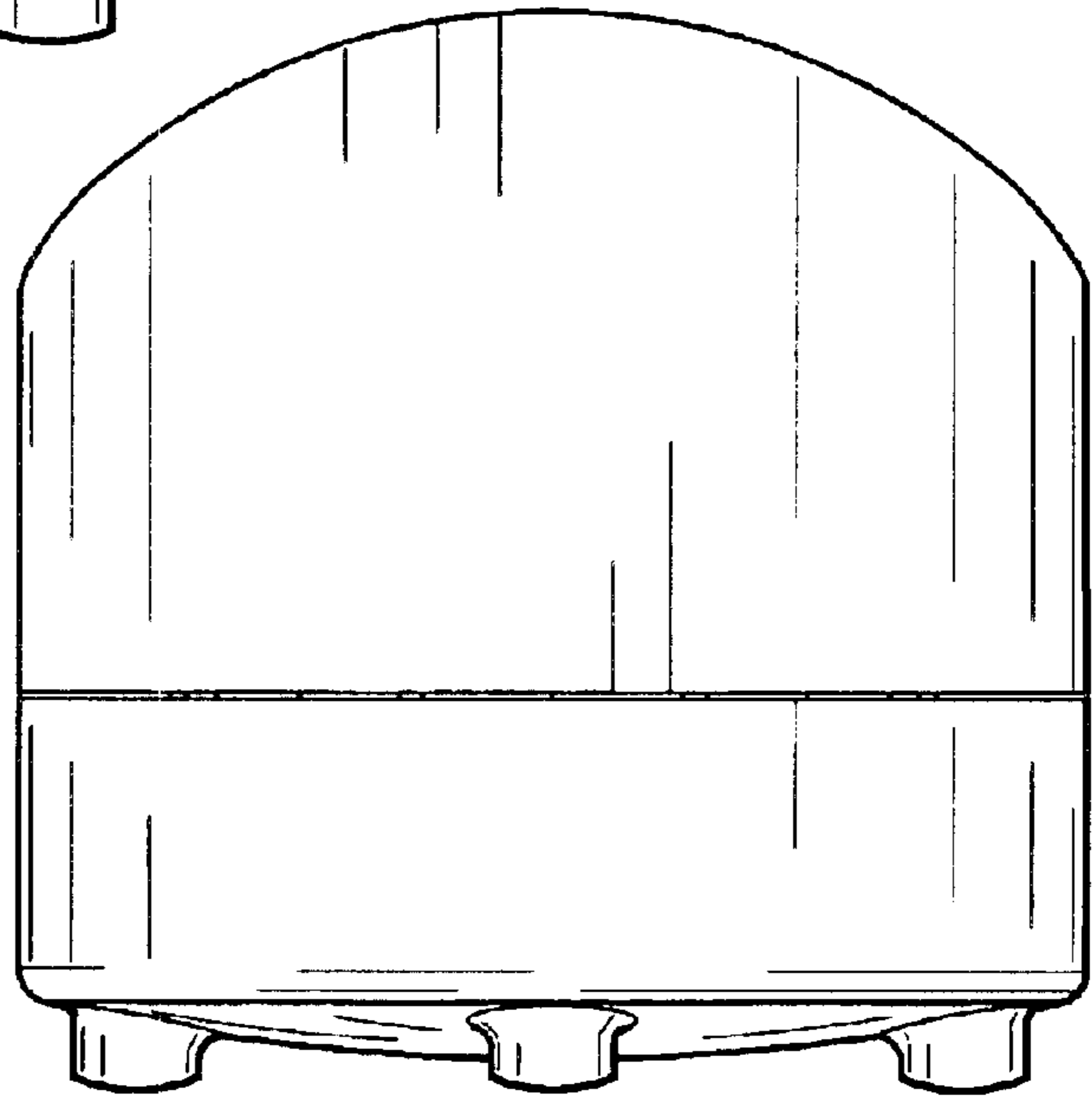


FIG. 5

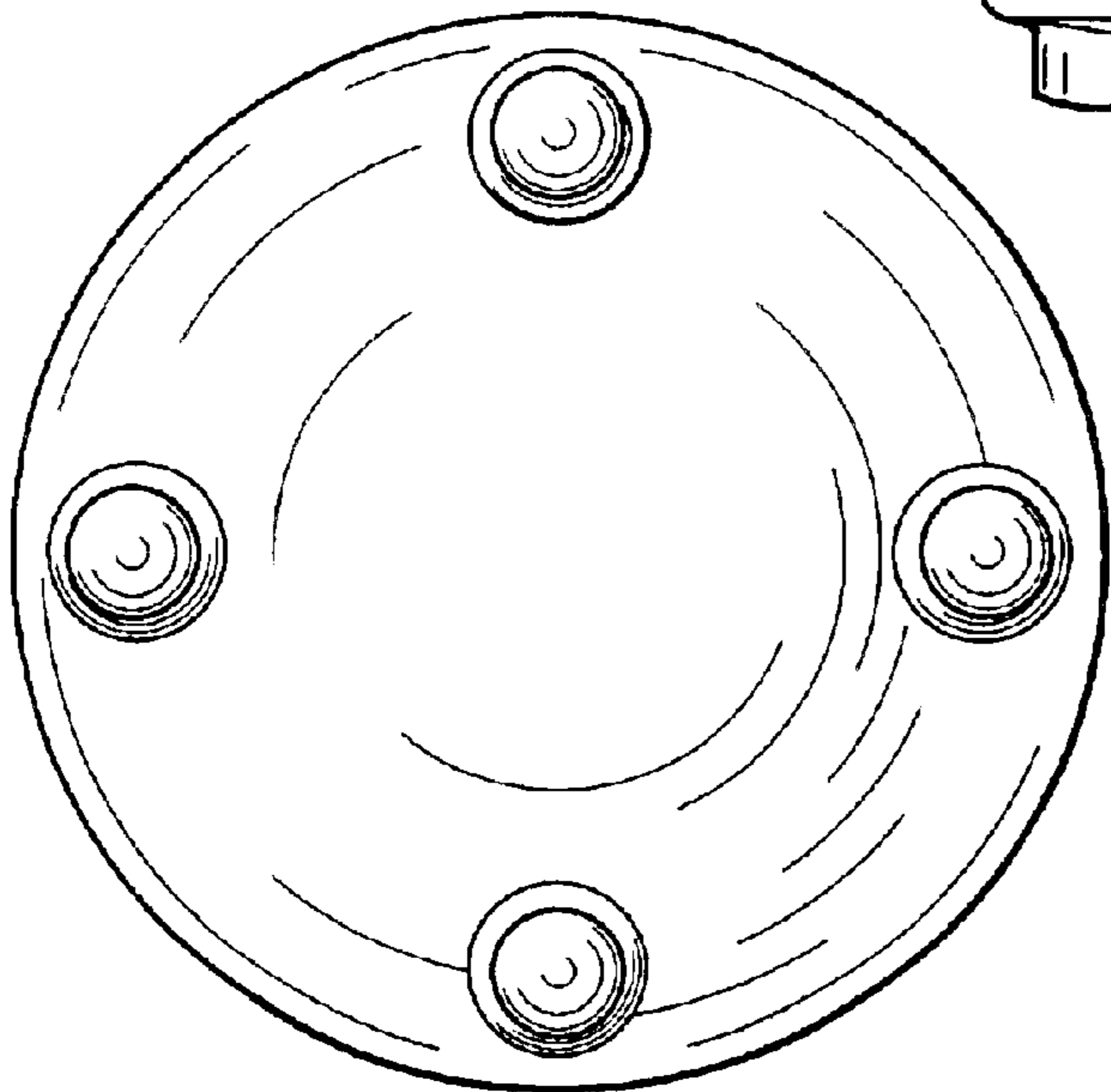


FIG. 6