

US00D498497S

(12) **United States Design Patent** (10) **Patent No.:** **US D498,497 S**  
**Lo** (45) **Date of Patent:** **\*\* Nov. 16, 2004**

(54) **CLIP**  
(75) **Inventor:** **Yui-Ming Lo, Kowloon (CN)**  
(73) **Assignee:** **Good Time Industries Co., Ltd., Kowloon (HK)**  
(\*\*) **Term:** **14 Years**  
(21) **Appl. No.:** **29/197,831**  
(22) **Filed:** **Jan. 21, 2004**  
(51) **LOC (7) Cl.** ..... **19-02**  
(52) **U.S. Cl.** ..... **D19/65; D19/90; D8/395**  
(58) **Field of Search** ..... **D8/395, 394; D19/34, D19/65, 75, 86, 88, 90, 91, 99, 100; 248/441.1, 442.2, 451-453; 24/67 R, 67.1-67.9, 67.11, 501, 507, 510, 511, 489, 499, 545-549, 562, 563**

(56) **References Cited**  
**U.S. PATENT DOCUMENTS**  
522,227 A \* 7/1894 McDonald ..... 24/67.5  
D132,430 S \* 5/1942 Rosenberg ..... D19/65

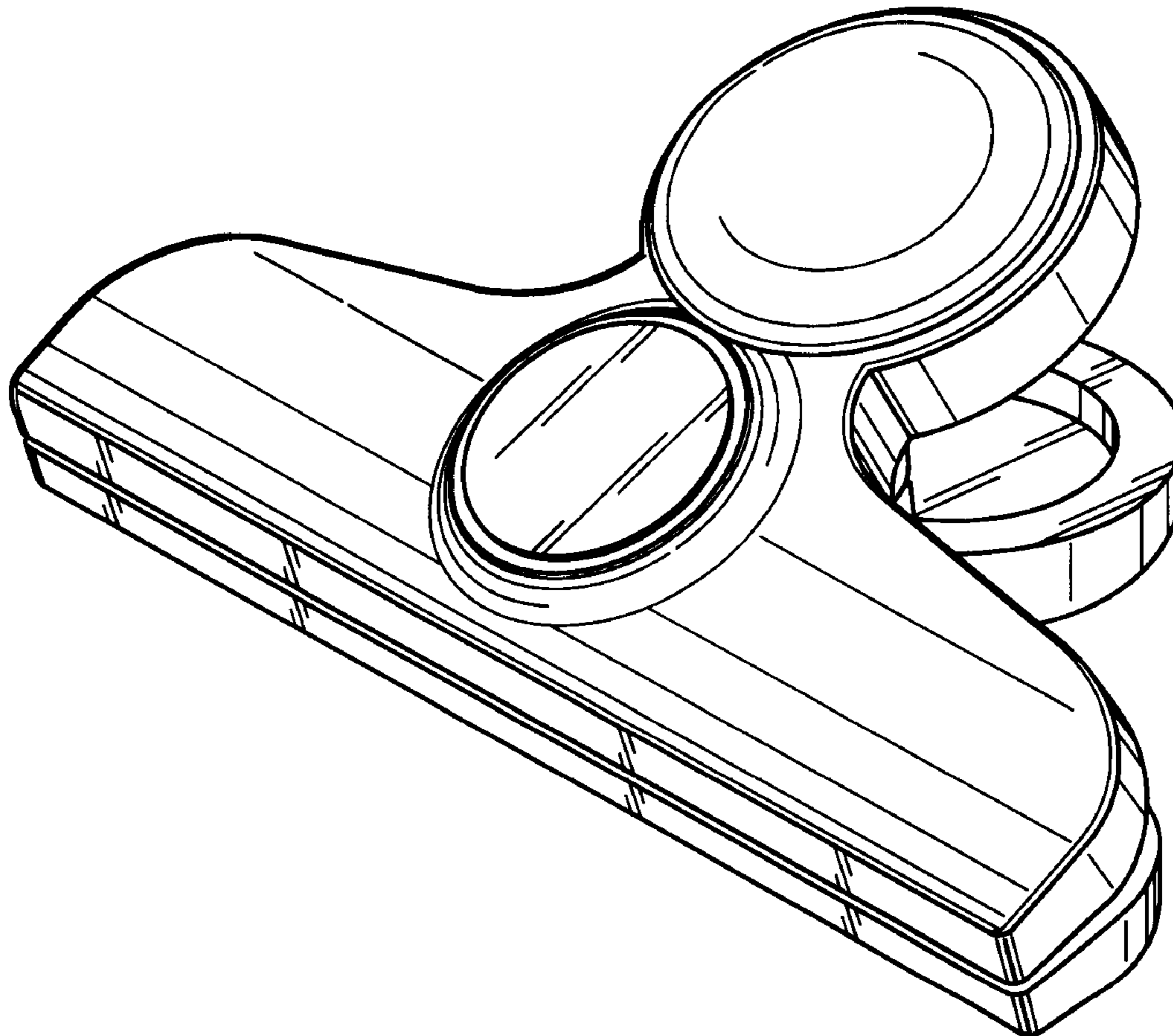
D137,065 S \* 1/1944 Rosenberg ..... D19/65  
2,548,389 A \* 4/1951 Neikirk ..... 24/67.5  
D274,127 S \* 6/1984 Einhorn et al. .... D8/395  
D310,323 S \* 9/1990 Kiyokane ..... D8/395  
D325,047 S \* 3/1992 Chou ..... D19/65  
5,802,677 A \* 9/1998 Dorman et al. .... 24/501 X

\* cited by examiner  
*Primary Examiner*—Martie K. Holtje  
(74) *Attorney, Agent, or Firm*—Alix, Yale & Ristas, LLP

(57) **CLAIM**  
The ornamental design for a clip, as shown and described.

**DESCRIPTION**  
FIG. 1 is a perspective view of a clip showings my new design;  
FIG. 2 is a front elevational view thereof;  
FIG. 3 is a left side elevational view thereof;  
FIG. 4 is a bottom plan view thereof;  
FIG. 5 is a rear view thereof;  
FIG. 6 is a right side elevational view thereof; and,  
FIG. 7 is a top plan view thereof.

**1 Claim, 3 Drawing Sheets**



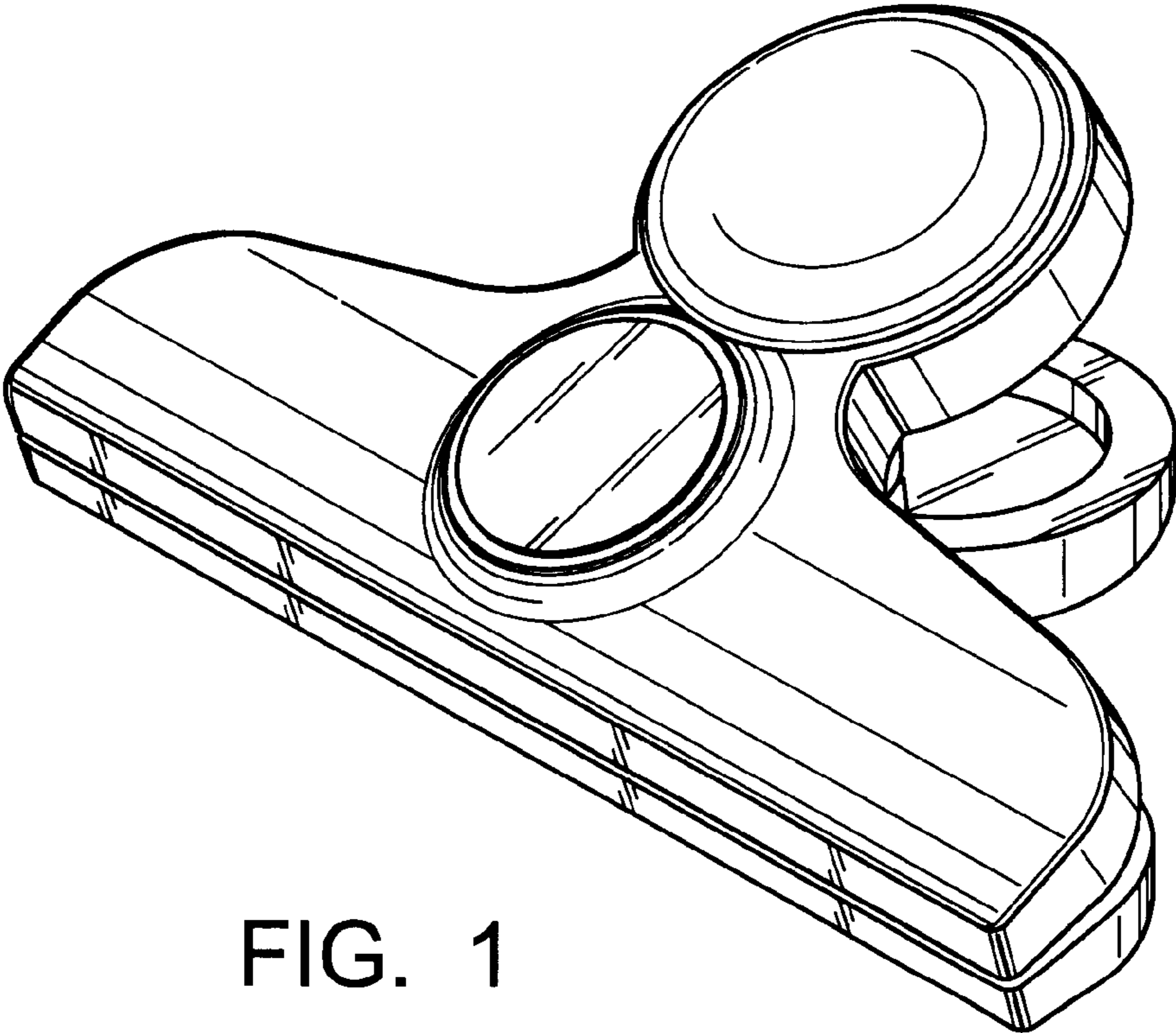


FIG. 1

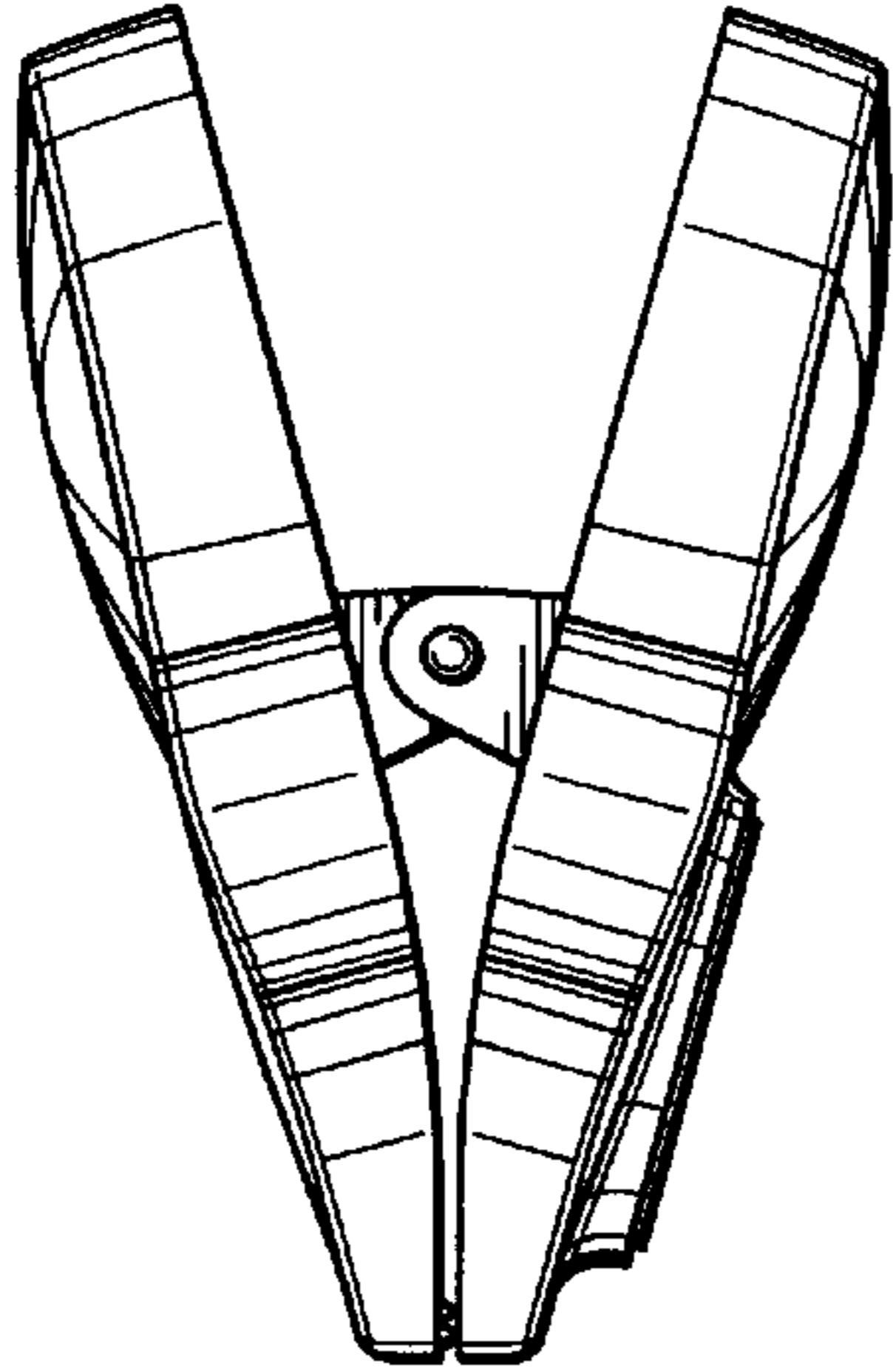


FIG. 3

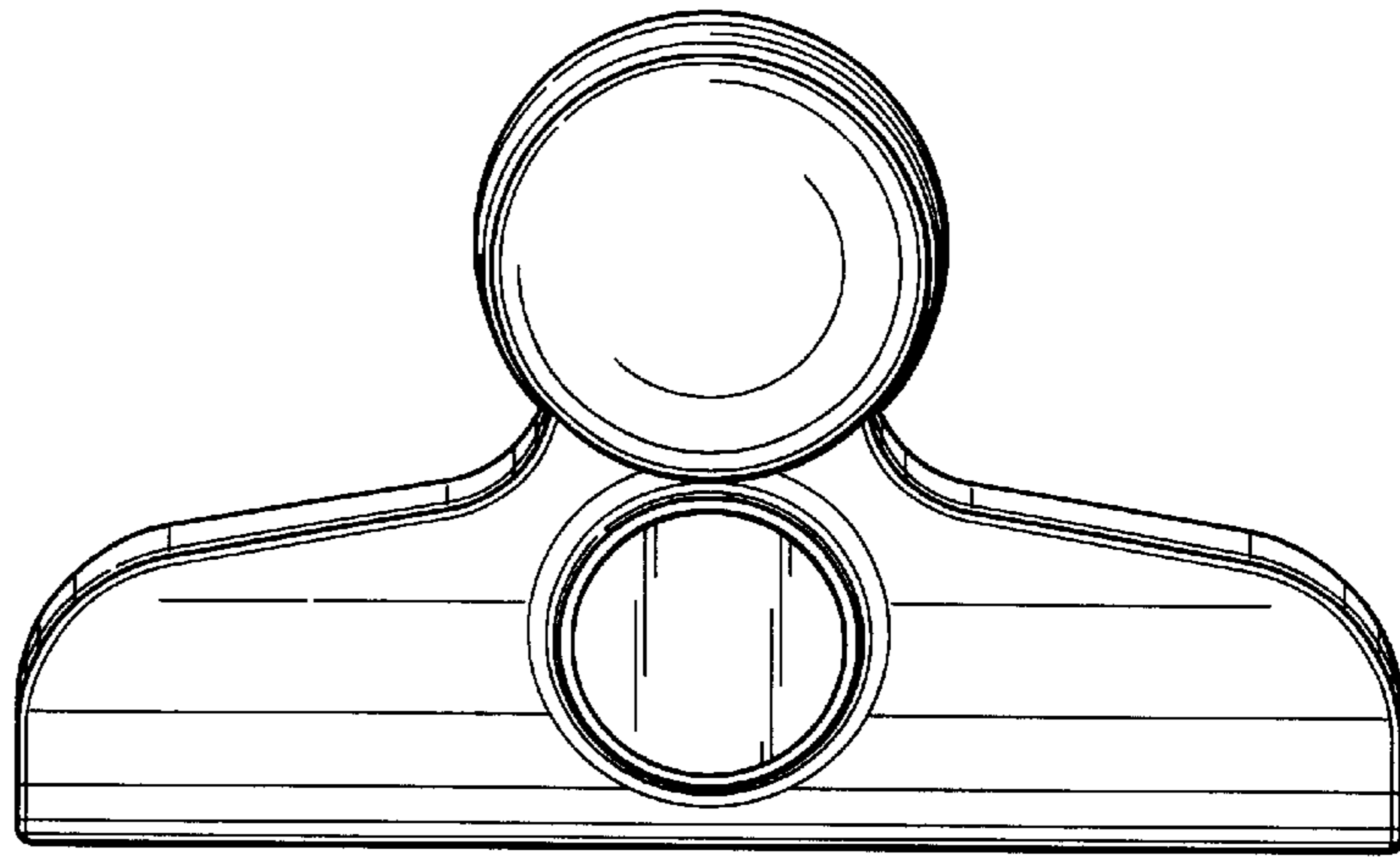


FIG. 2

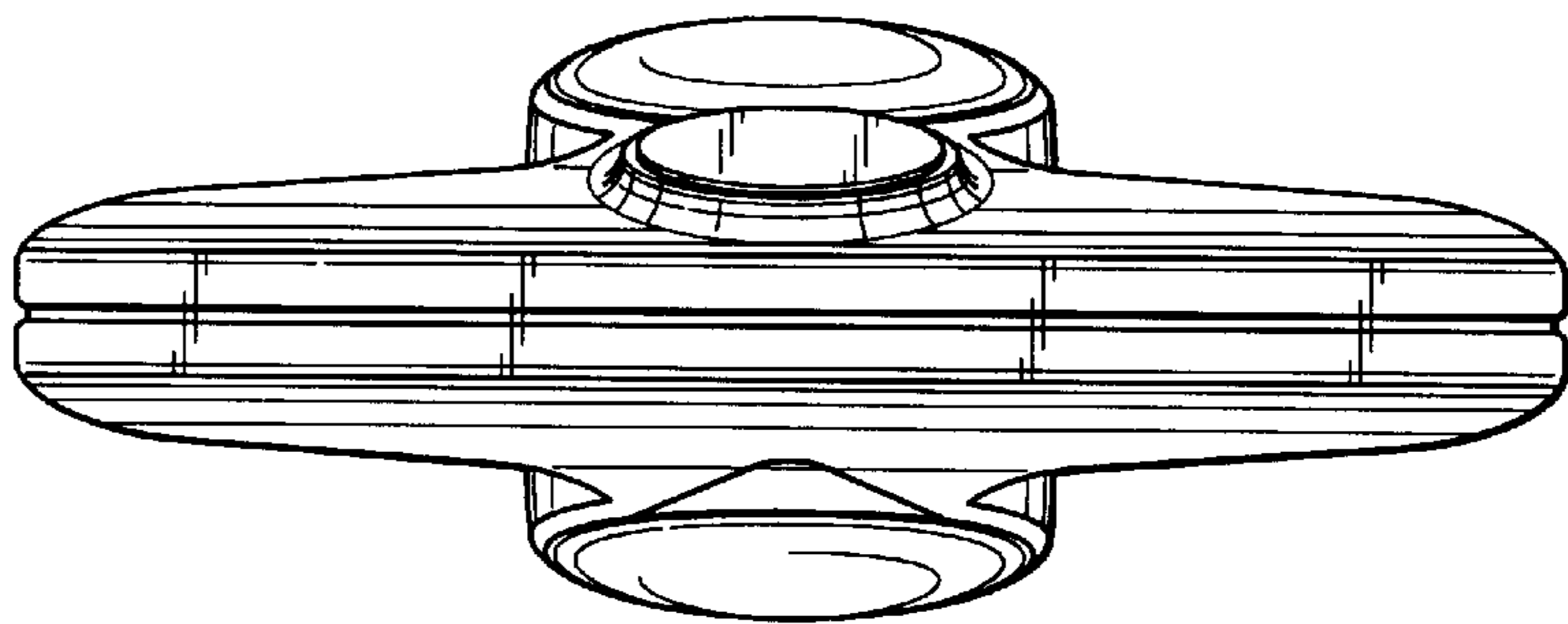


FIG. 4

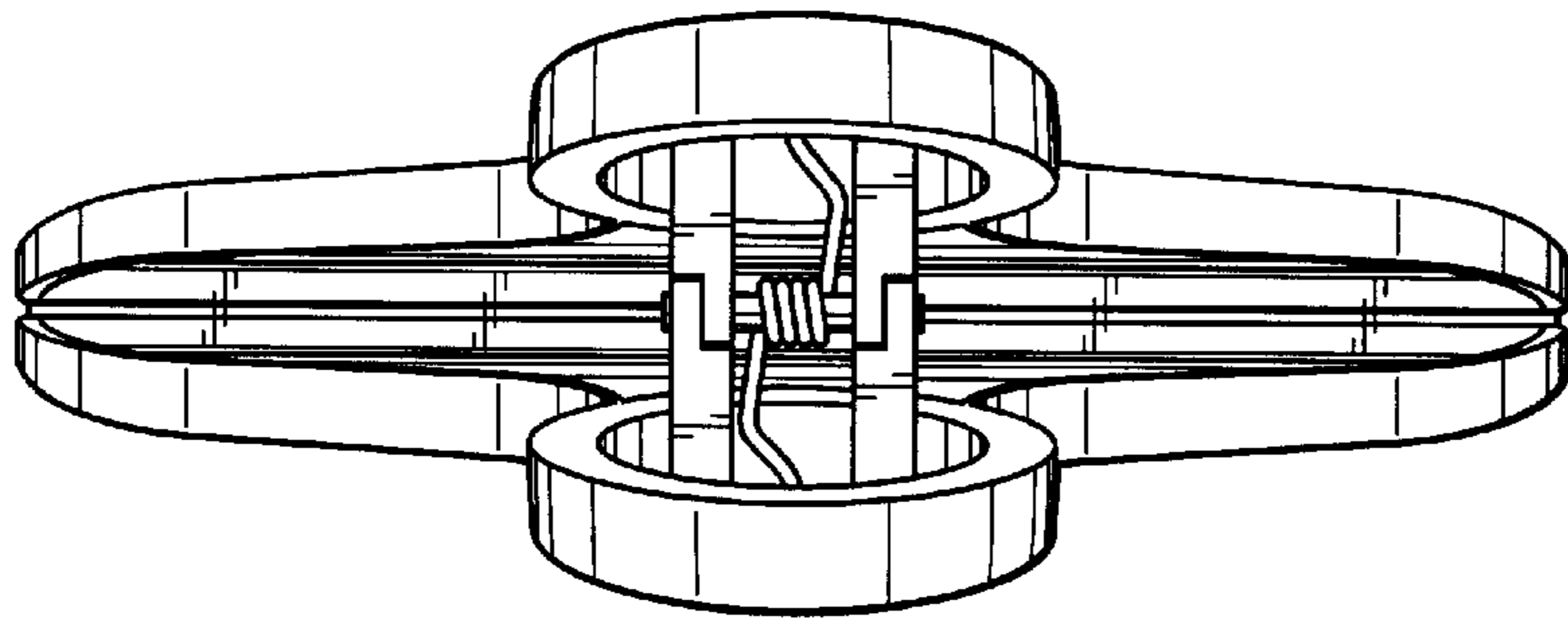


FIG. 7

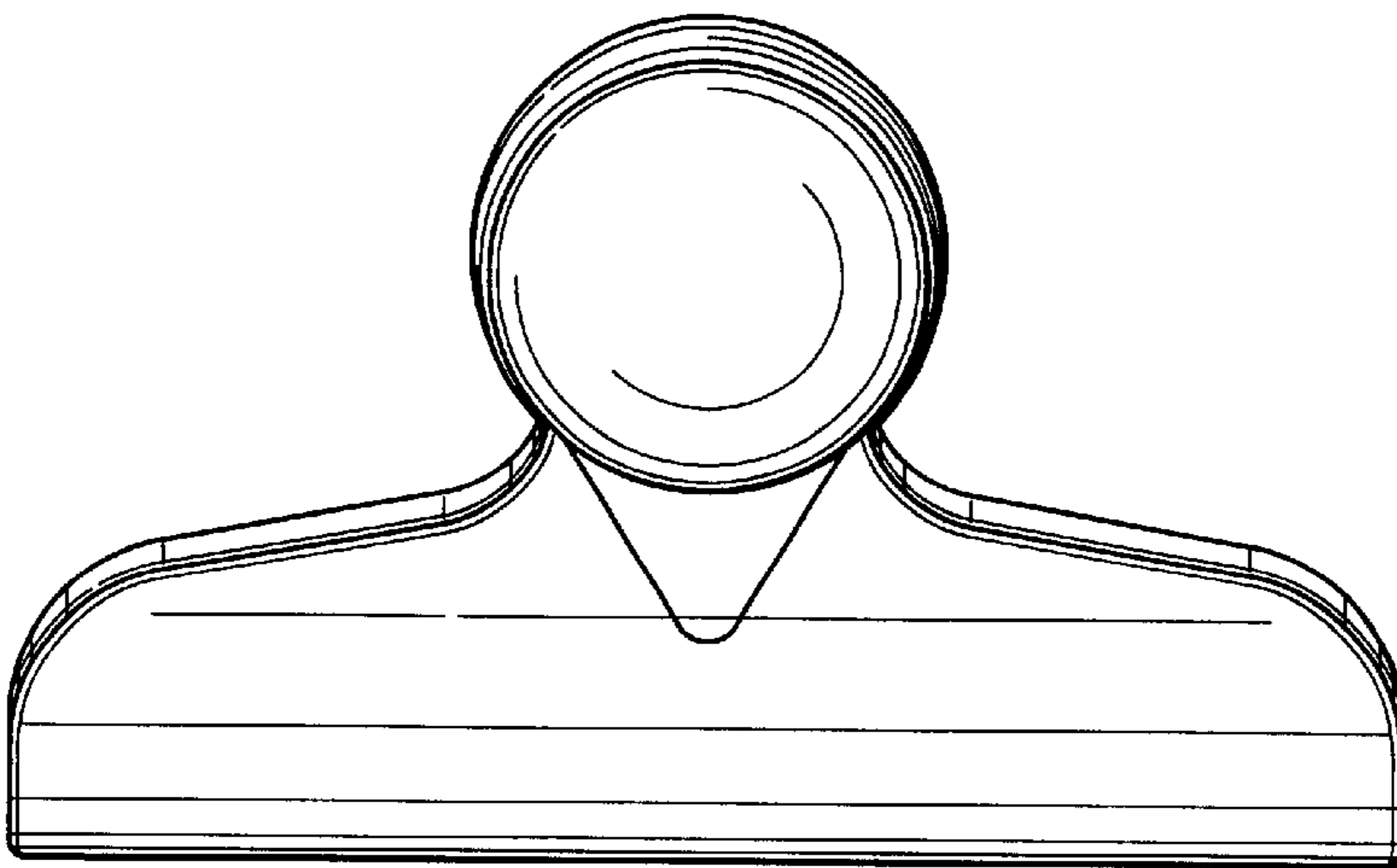


FIG. 5

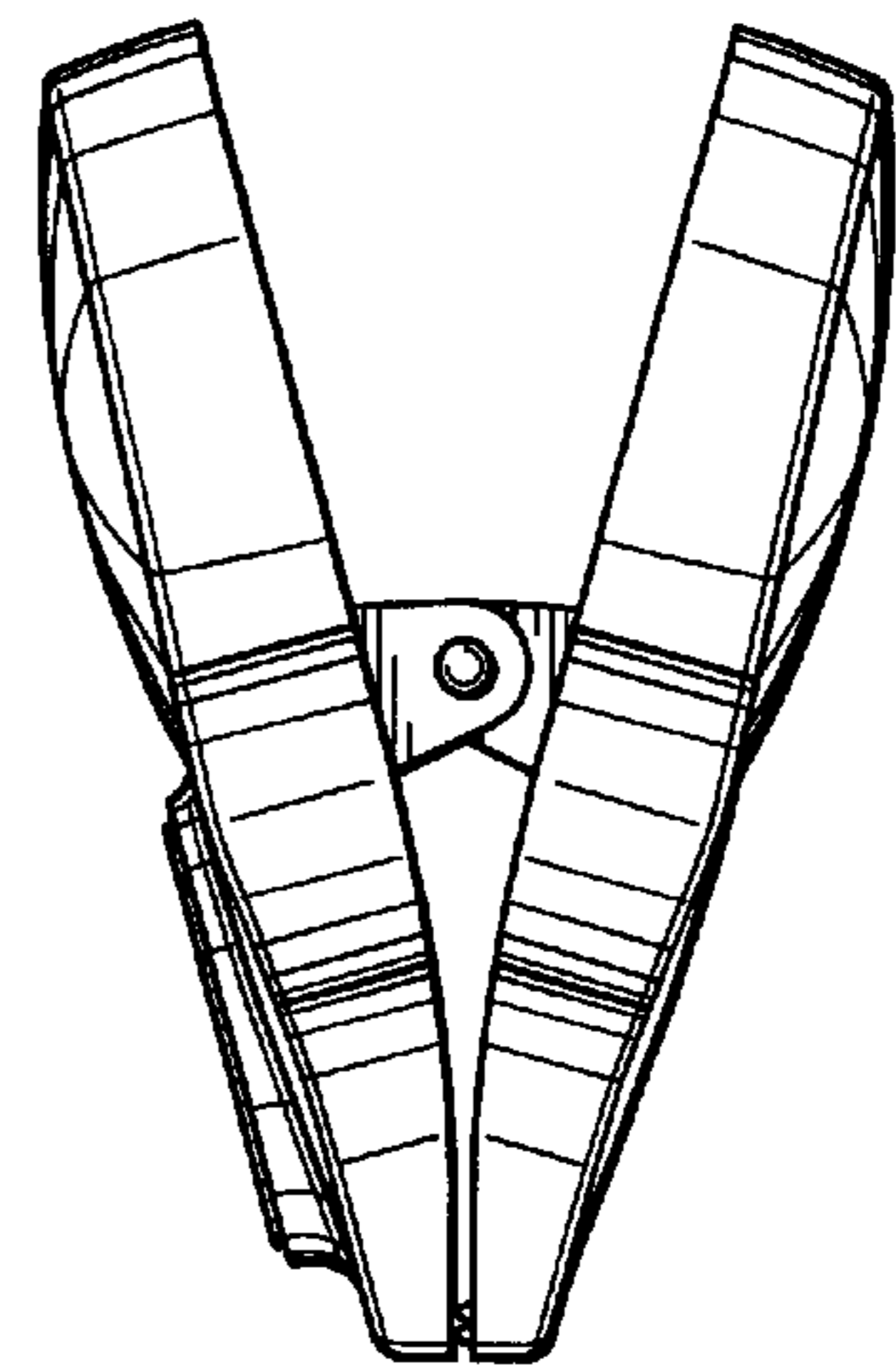


FIG. 6