

US00D498495S

(12) **United States Design Patent** (10) **Patent No.:** **US D498,495 S**
Kuo (45) **Date of Patent:** **** Nov. 16, 2004**

(54) **BALL-POINT PEN TOP**

(75) Inventor: **Rui-Feng Kuo, Shu-Lin (TW)**

(73) Assignee: **Rui Feng Stationery Co., Ltd., Taipei Hsien (TW)**

(**) Term: **14 Years**

(21) Appl. No.: **29/202,113**

(22) Filed: **Mar. 26, 2004**

(51) **LOC (7) Cl.** **19-06**

(52) **U.S. Cl.** **D19/54; D19/42; D19/46**

(58) **Field of Search** **D19/35, 36, 41-51, D19/53-58, 81-85; D11/107, 109; 40/334, 335; 401/99-103, 104-106, 107-110, 111-117, 1, 52, 195**

(56) **References Cited**

U.S. PATENT DOCUMENTS

D21,815 S	*	8/1892	How	D11/107
D29,532 S	*	10/1898	Woglom	D11/109
D48,558 S	*	2/1916	Lehmberg	D19/107
1,655,365 A	*	1/1928	Gurtov	40/334
2,502,328 A	*	3/1950	Kuhn	40/334
2,745,198 A	*	5/1956	Nelson	40/334

D317,324 S	*	6/1991	Chuang	D19/57
D360,432 S	*	7/1995	Arsenault	D19/42
6,129,470 A	*	10/2000	Fang	401/52
D484,539 S	*	12/2003	Bodino	D19/54
D484,540 S	*	12/2003	Bodino	D19/57
D485,299 S	*	1/2004	Bodino	D19/51

* cited by examiner

Primary Examiner—Martie K. Holtje

(74) *Attorney, Agent, or Firm*—Harrison & Egbert

(57) **CLAIM**

I claim the ornamental design for a ball-point pen top, as shown and described.

DESCRIPTION

FIG. 1 is an upper perspective view of the ball-point pen top showing my design.

FIG. 2 is a front view thereof;

FIG. 3 is a back view thereof;

FIG. 4 is a side view thereof;

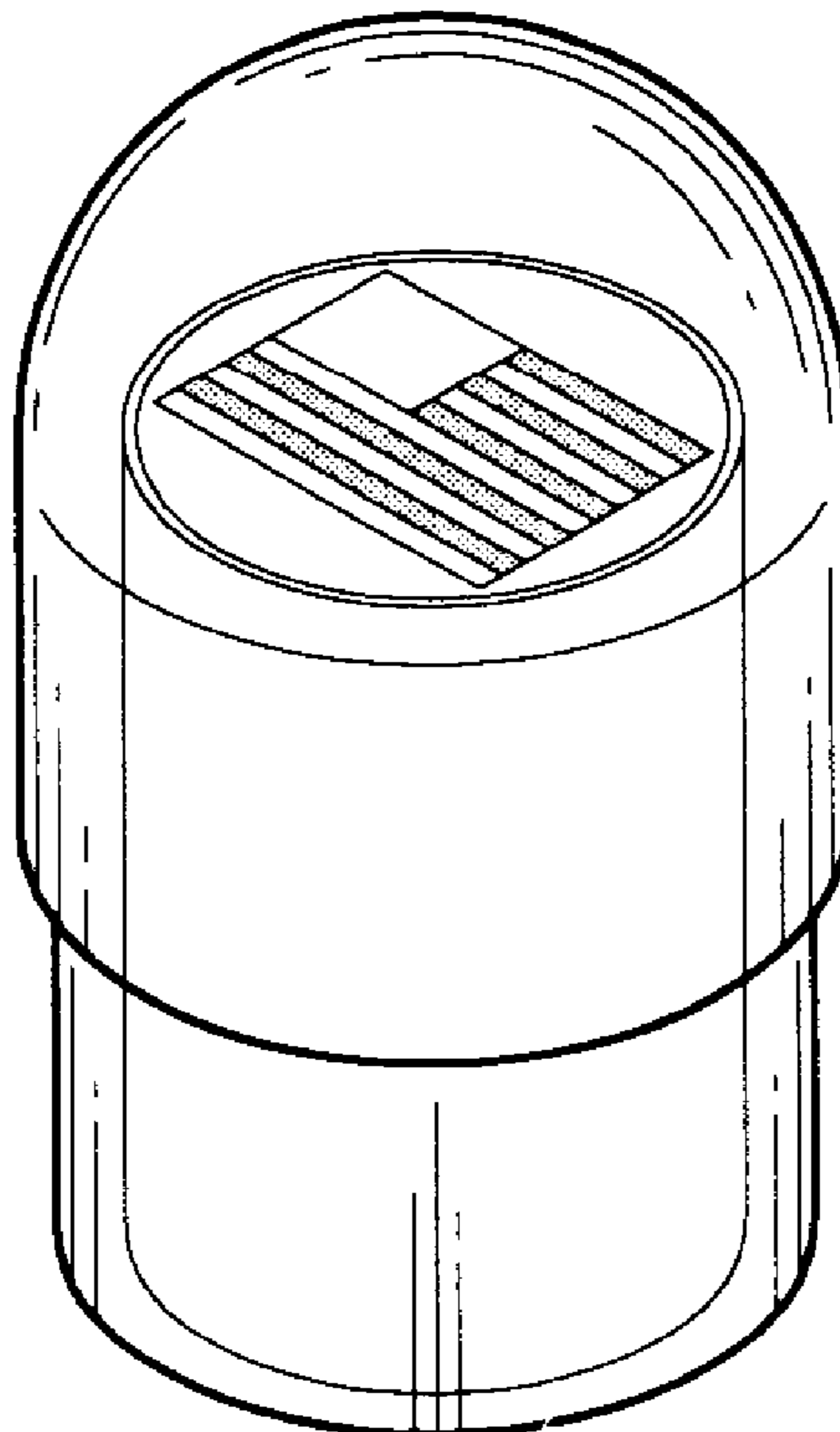
FIG. 5 is an opposite side view thereof;

FIG. 6 is a top view thereof;

FIG. 7 is a bottom view thereof; and,

FIG. 8 is a cross-sectional view taken in the direction of arrows 8—8 in FIG. 6.

1 Claim, 5 Drawing Sheets



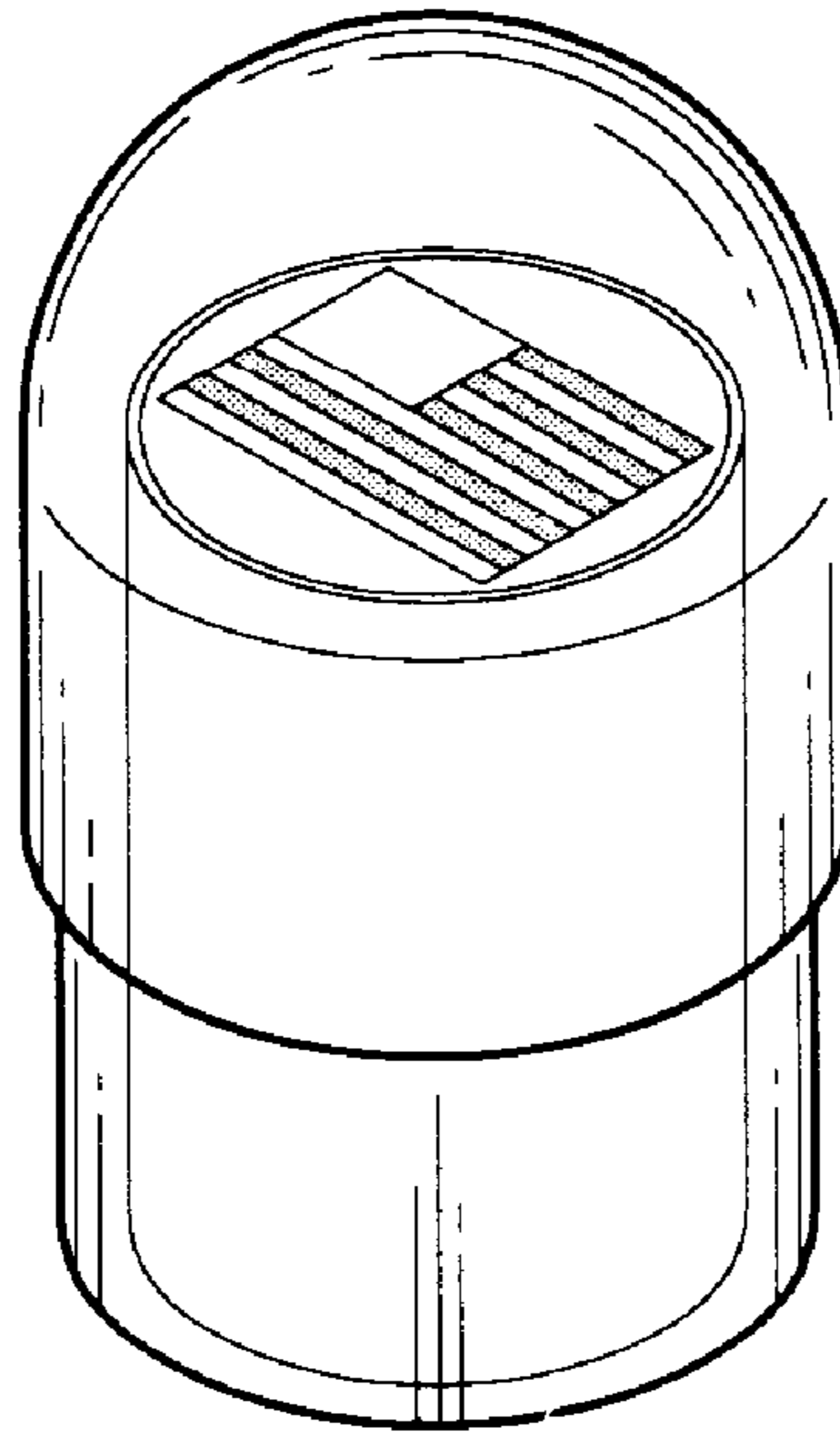


FIG.1

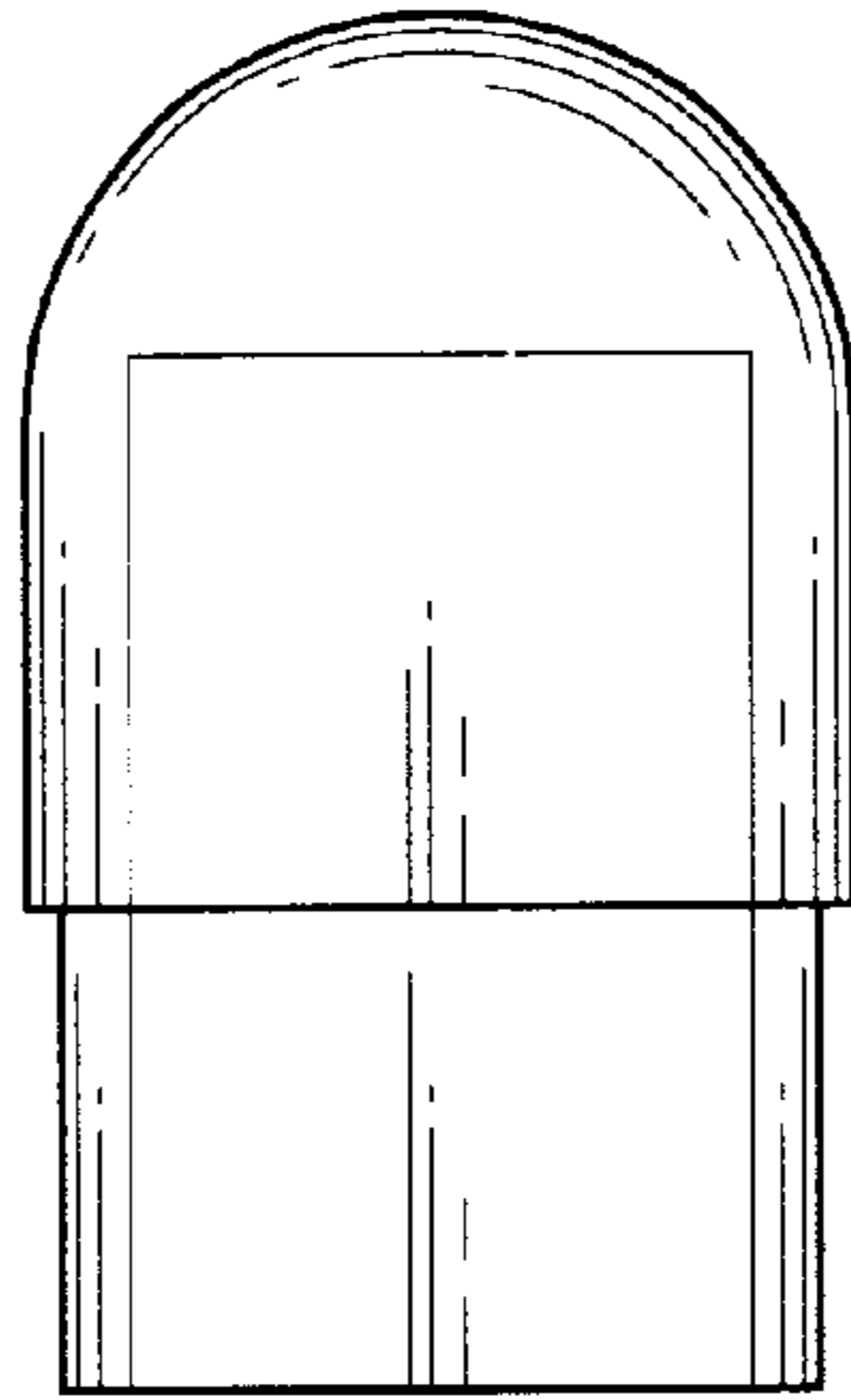


FIG. 2

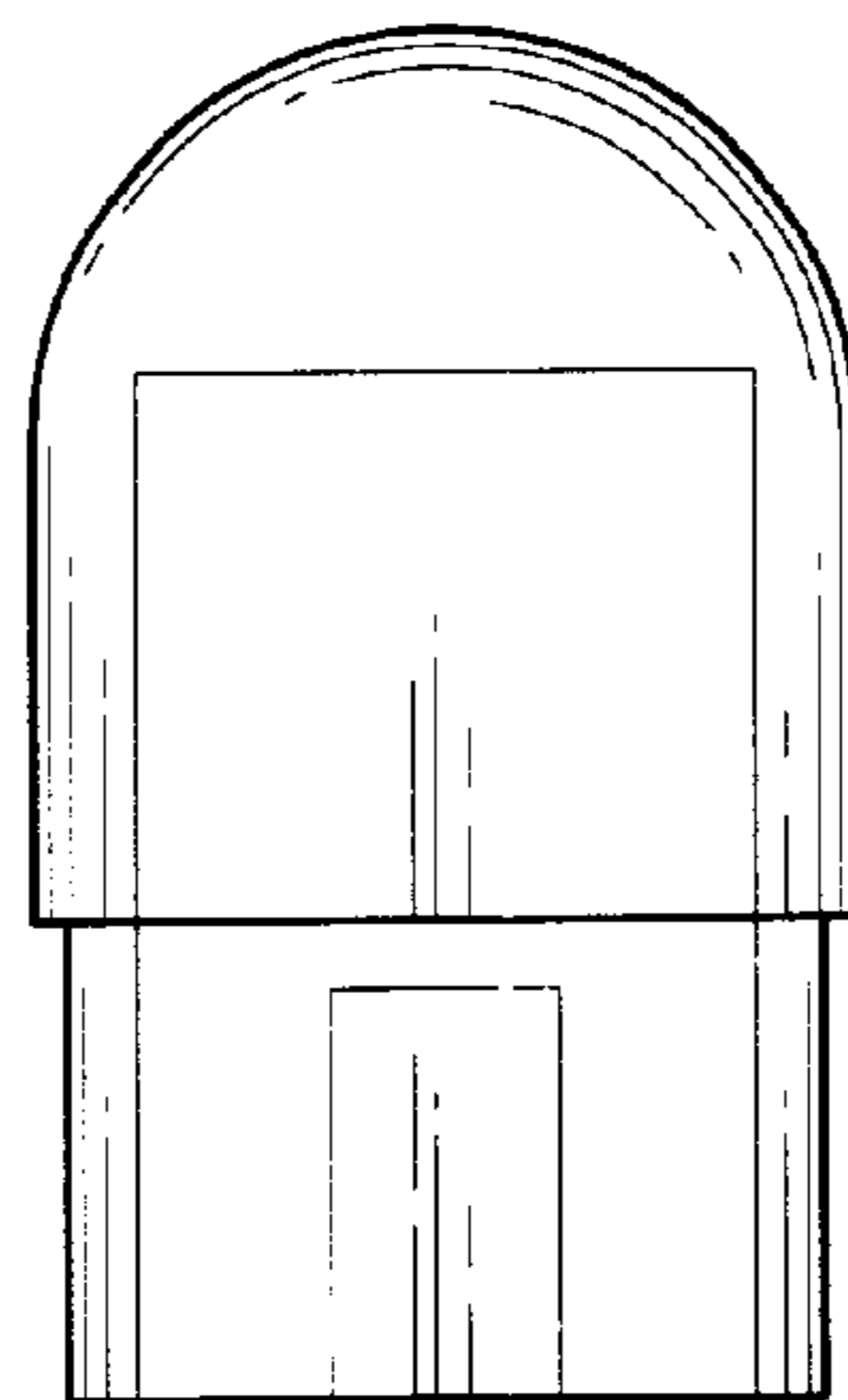


FIG. 3

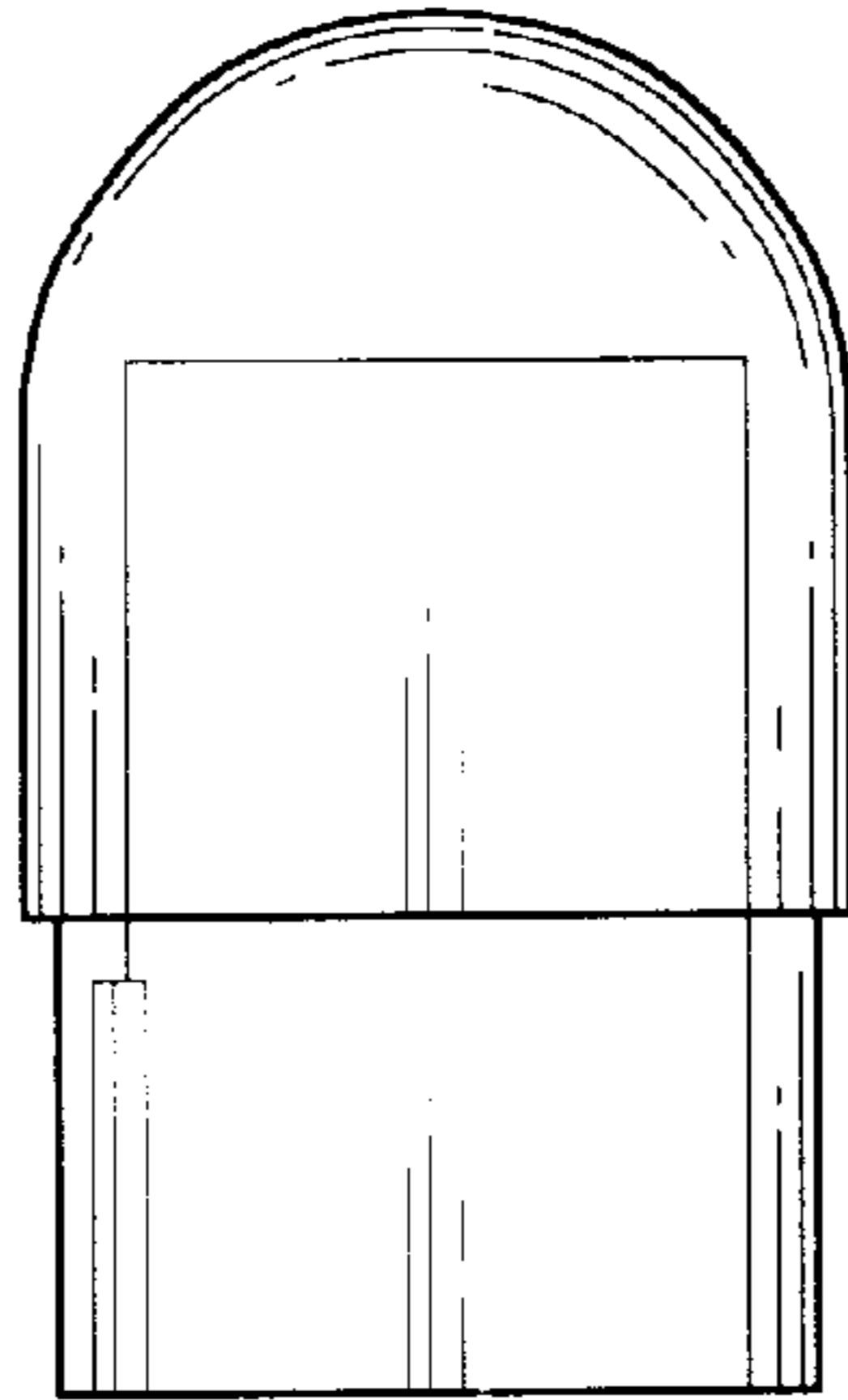


FIG. 4

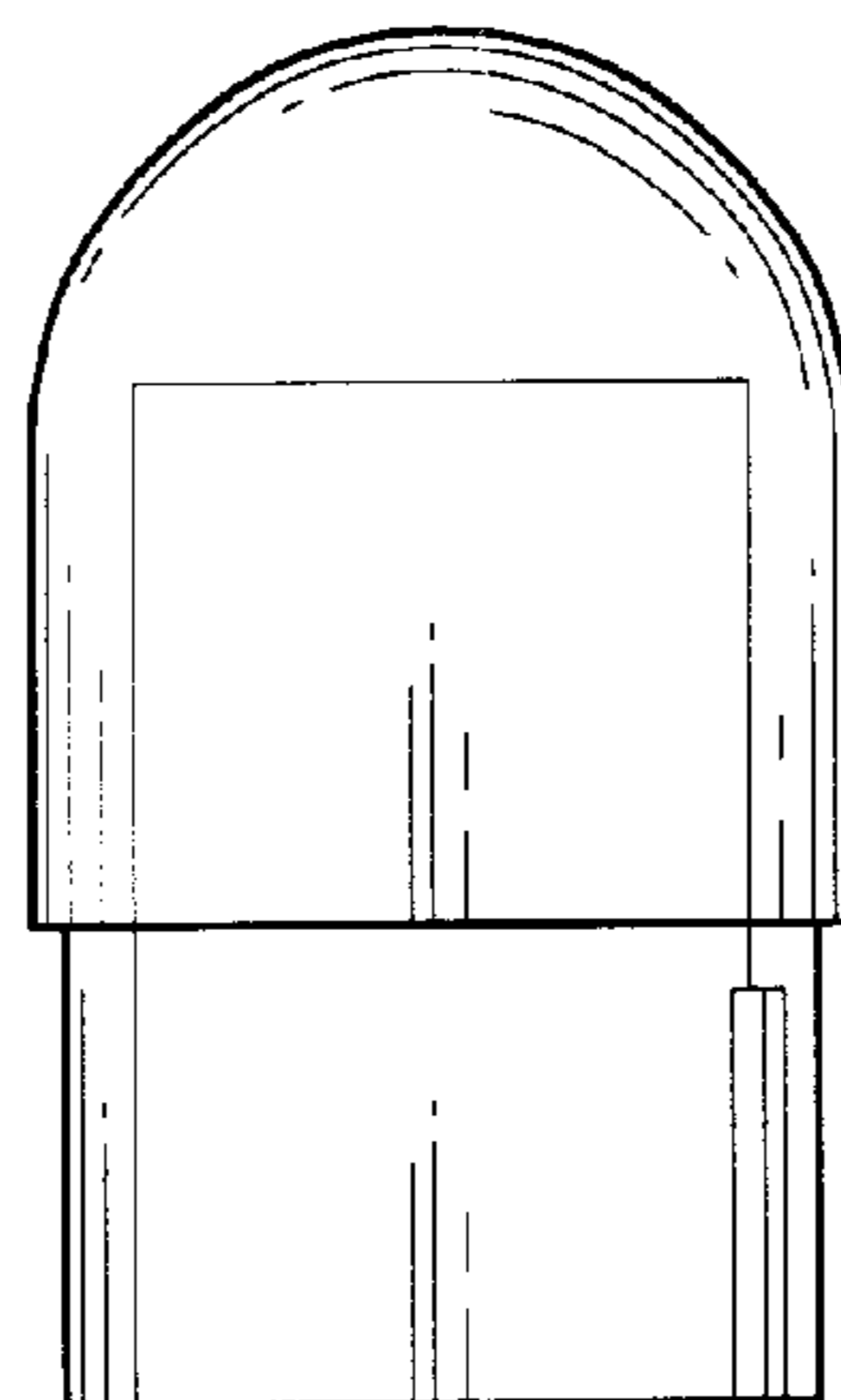


FIG. 5

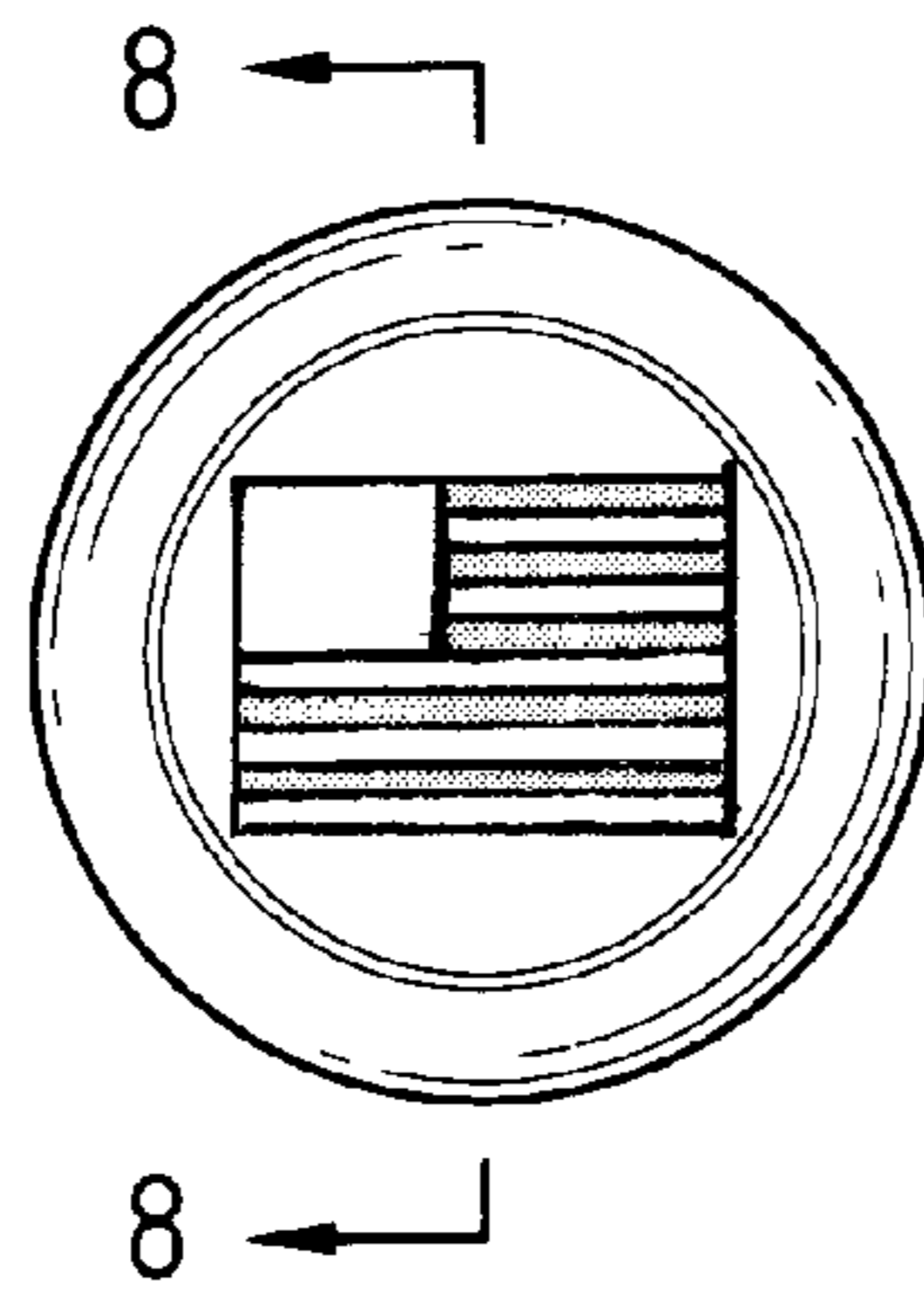


FIG. 6

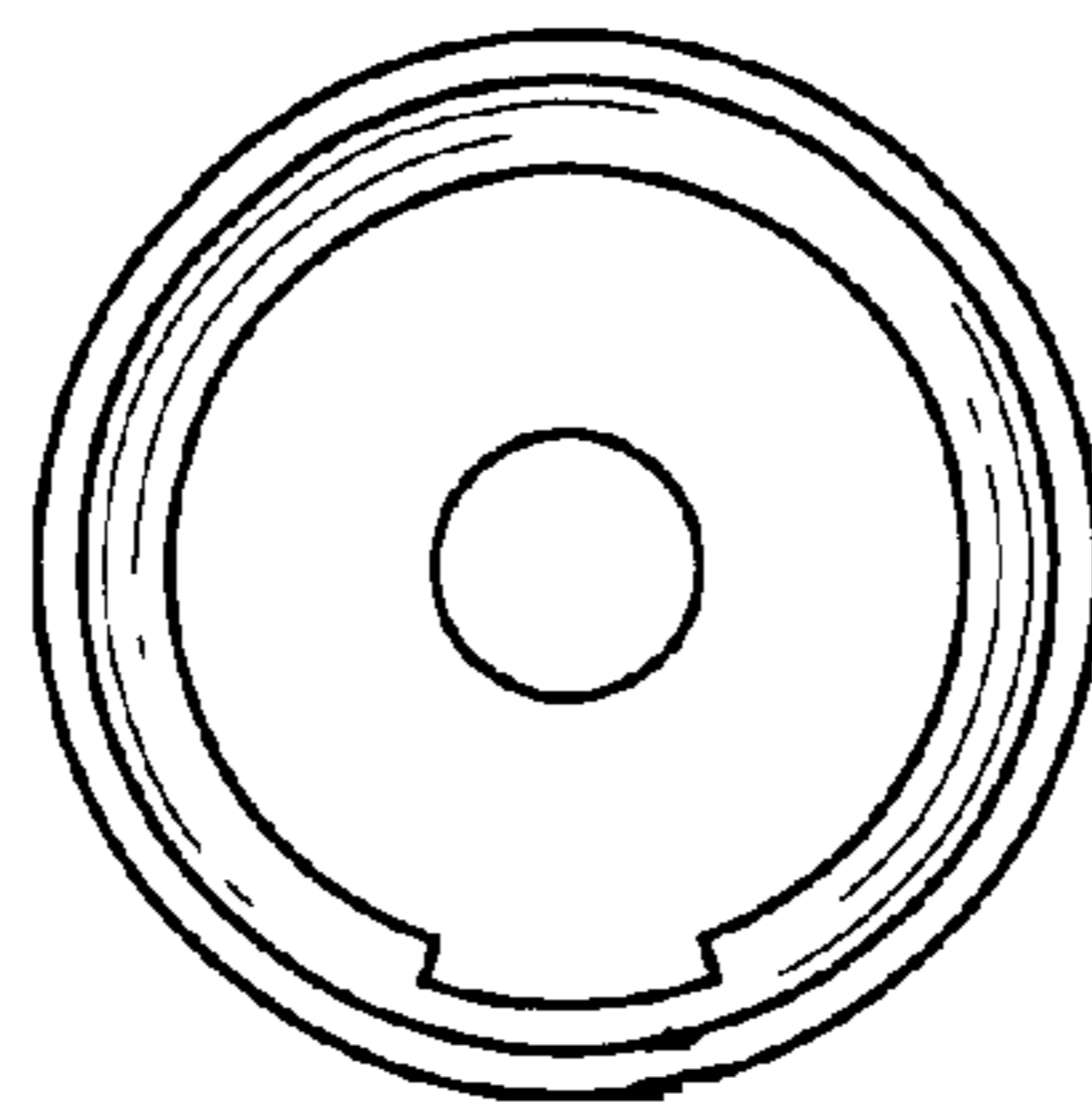


FIG. 7

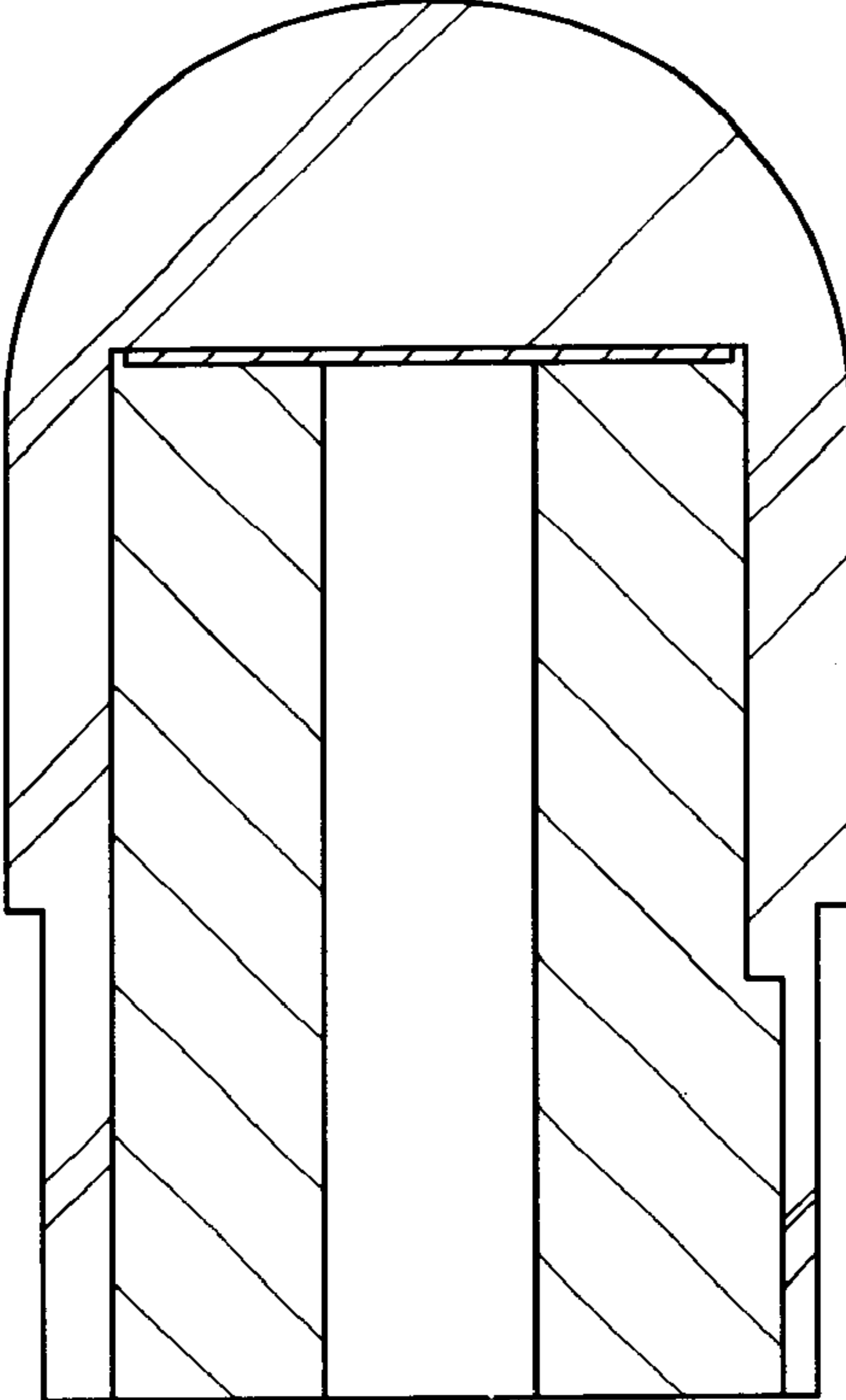


FIG.8