

US00D498494S

(12) **United States Design Patent**
Conklin et al.

(10) **Patent No.:** **US D498,494 S**

(45) **Date of Patent:** **** Nov. 16, 2004**

(54) **WRITING INSTRUMENT**

(75) Inventors: **Melanie Lyn Conklin**, Chicago, IL
(US); **Jean Ellen Kiple**, Lake Villa, IL
(US)

(73) Assignee: **Sanford L.P.**, Freeport, IL (US)

(**) Term: **14 Years**

(21) Appl. No.: **29/201,974**

(22) Filed: **Mar. 24, 2004**

(51) **LOC (7) Cl.** **19-06**

(52) **U.S. Cl.** **D19/51; D19/56**

(58) **Field of Search** D19/35, 36, 41-51,
D19/53-58, 81-85; 401/18-21, 29-34,
99-102, 103-106, 107-110, 111-117, 209

(56) **References Cited**

U.S. PATENT DOCUMENTS

- 3,075,497 A * 1/1963 Tate D19/51 X
- 3,092,080 A * 6/1963 Lovejoy 401/99
- D395,448 S * 6/1998 Chevalier D19/51
- D403,705 S * 1/1999 Izushima et al. D19/51
- D423,576 S * 4/2000 Stevens et al. D19/43
- D450,347 S * 11/2001 Keda D19/51

- D487,775 S * 3/2004 Keda D19/56 X
- D489,087 S * 4/2004 Kent D19/43

* cited by examiner

Primary Examiner—Martie K. Holtje

(74) *Attorney, Agent, or Firm*—Marshall, Gerstein & Borun
LLP

(57) **CLAIM**

The ornamental design for a “writing instrument,” as shown
and described.

DESCRIPTION

FIG. 1 is a perspective view showing our new design;
FIG. 2 is a front elevational view of the writing instrument
of FIG. 1;
FIG. 3 is a left side elevational view of the writing instru-
ment of FIG. 1, the right side elevational view being a mirror
image thereof;
FIG. 4 is a rear elevational view of the writing instrument of
FIG. 1;
FIG. 5 is a top plan view of the writing instrument of FIG.
1; and,
FIG. 6 is a bottom plan view of the writing instrument of
FIG. 1.

1 Claim, 2 Drawing Sheets

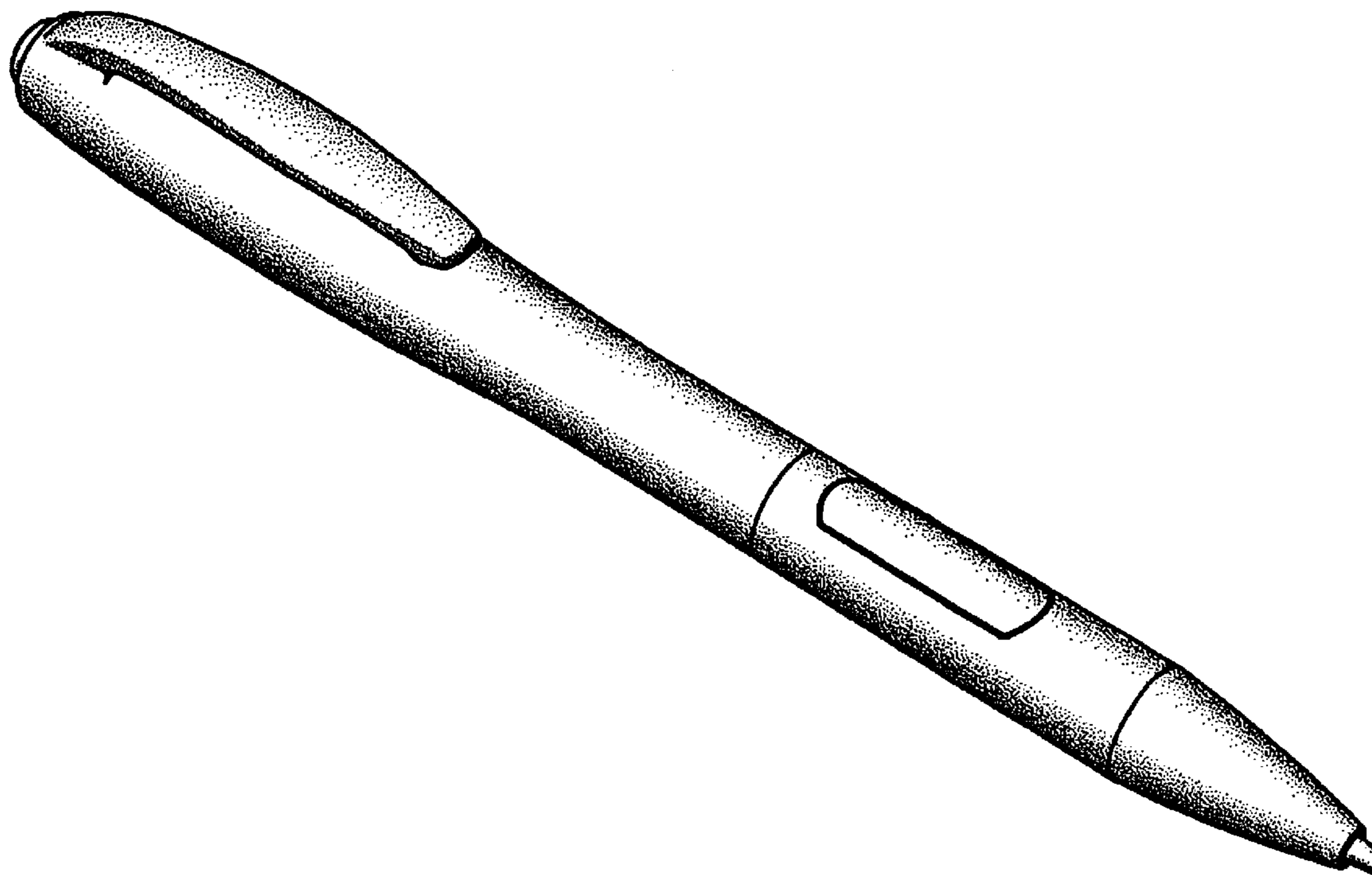


FIG. 1

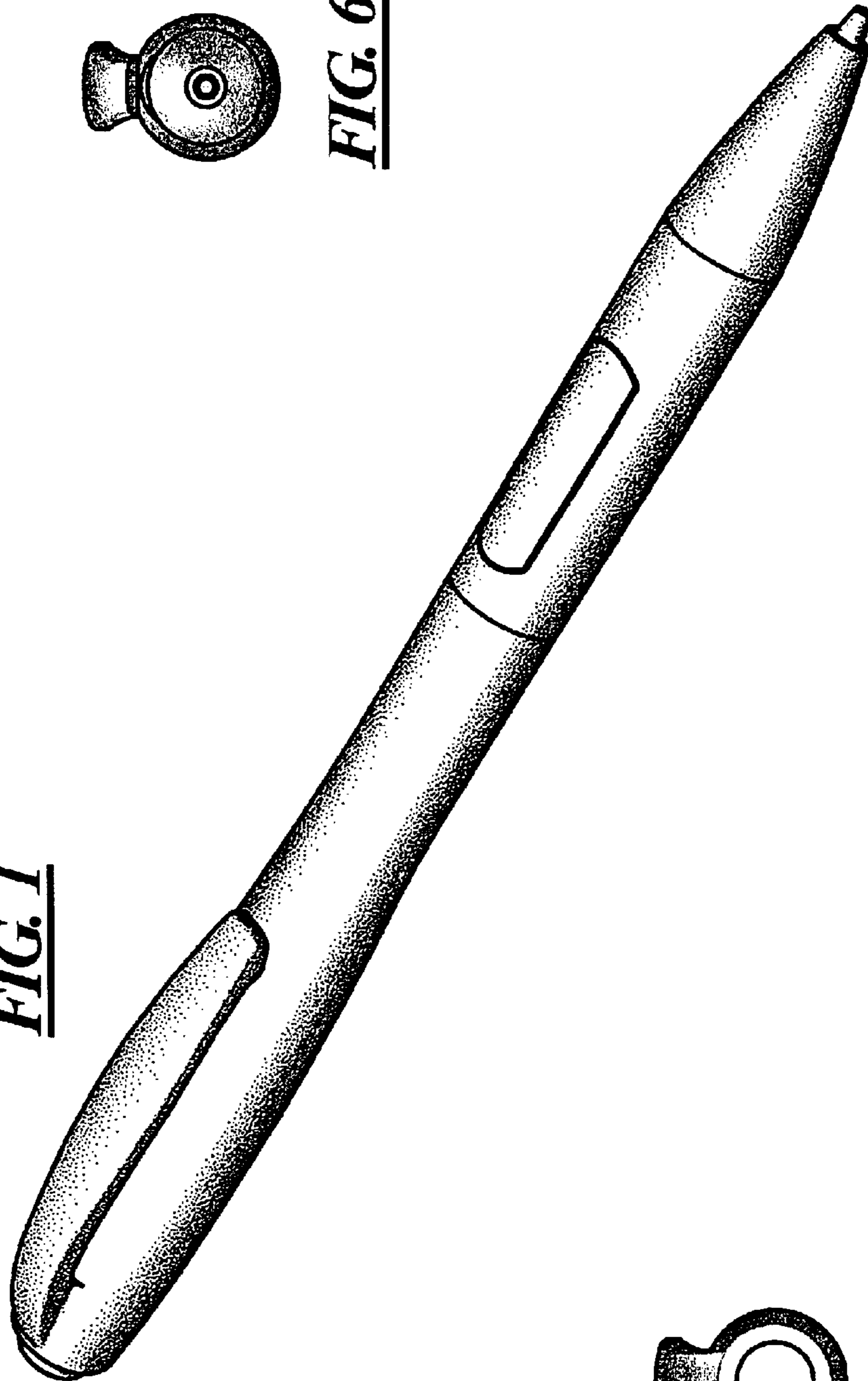


FIG. 6

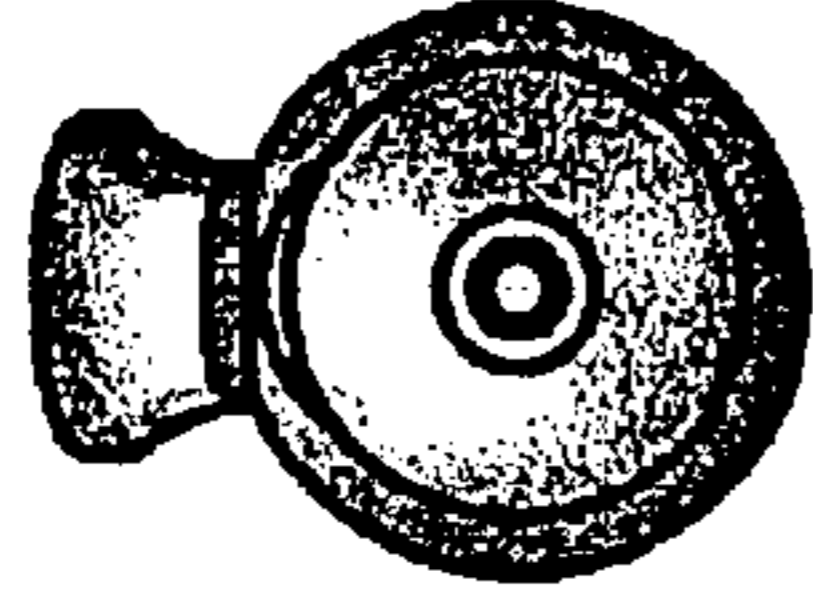


FIG. 5

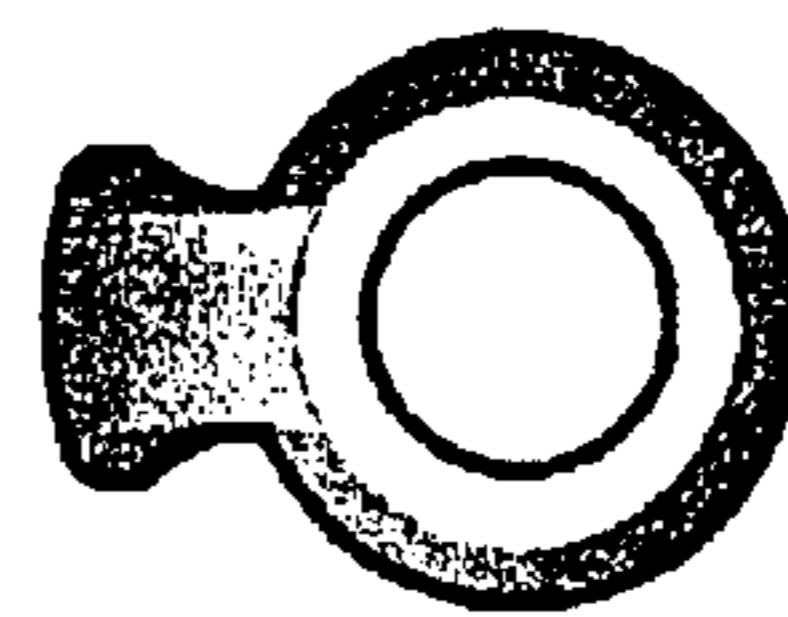


FIG. 2

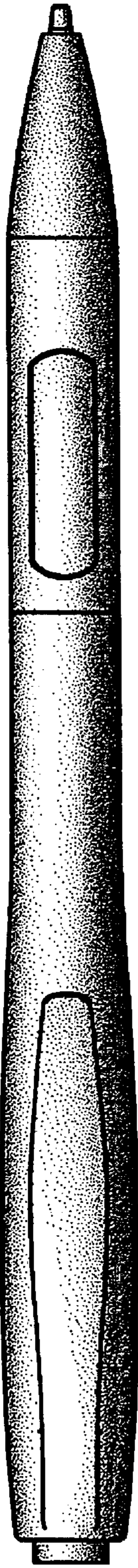


FIG. 3

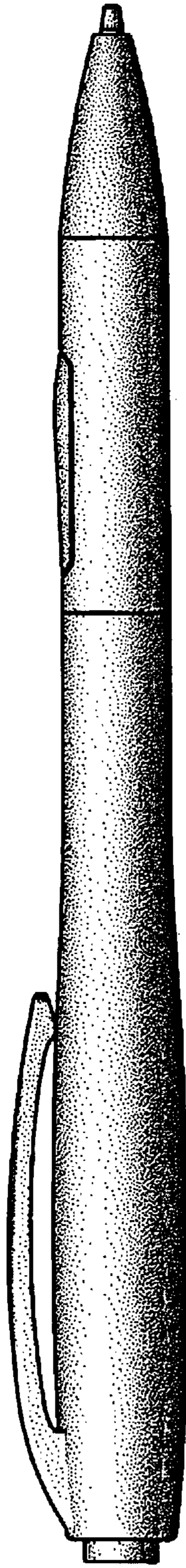


FIG. 4

