

US00D498493S

(12) **United States Design Patent**
Togawa

(10) **Patent No.:** **US D498,493 S**

(45) **Date of Patent:** **** Nov. 16, 2004**

(54) **WRITING INSTRUMENT**

(75) Inventor: **Keiko Togawa**, Tokyo (JP)

(73) Assignee: **Zebra Co., Ltd.**, Tokyo (JP)

(**) Term: **14 Years**

(21) Appl. No.: **29/196,919**

(22) Filed: **Jan. 7, 2004**

(30) **Foreign Application Priority Data**

Jul. 7, 2003 (JP) 2003-019457

(51) **LOC (7) Cl.** **19-06**

(52) **U.S. Cl.** **D19/36; D19/43; D19/50;**
D19/55; D19/56

(58) **Field of Search** **D19/35, 36, 41-51,**
D19/53-58, 81-85; 401/6, 7, 88, 18-21,
29-34, 52, 98, 202, 196, 198, 213, 243-247,
260-262

(56) **References Cited**

U.S. PATENT DOCUMENTS

D91,976 S	*	4/1934	Deli	D8/104
D110,467 S	*	7/1938	Sanders	D19/48
2,457,217 A	*	12/1948	Ernst	401/34
D271,115 S	*	10/1983	Luntz	D19/47
D277,682 S	*	2/1985	Luntz	D19/47

4,509,875 A	*	4/1985	Shintani	401/34
D306,316 S	*	2/1990	Shintani	D19/36
D363,947 S	*	11/1995	Kimura	D19/36
D391,292 S	*	2/1998	Kuo	D19/47
D404,069 S	*	1/1999	Hasegawa	D19/36

* cited by examiner

Primary Examiner—Martie K. Holtje

(74) *Attorney, Agent, or Firm*—Brooks Kushman P.C.

(57) **CLAIM**

The ornamental design for a writing instrument, as shown and described.

DESCRIPTION

FIG. 1 is a left side elevational view of a writing instrument showing my new design;
 FIG. 2 is a bottom plan view thereof;
 FIG. 3 is a top plan view thereof;
 FIG. 4 is a front elevational view thereof;
 FIG. 5 is a rear elevational view thereof;
 FIG. 6 is a cross-sectional view thereof, taken in the direction of arrows 6—6 in FIG. 2;
 FIG. 7 is a front elevational view of the body thereof, with the cap members removed for ease of illustration;
 FIG. 8 is a bottom plan view on an enlarged scale; and,
 FIG. 9 is a top plan view on an enlarged scale.

1 Claim, 2 Drawing Sheets

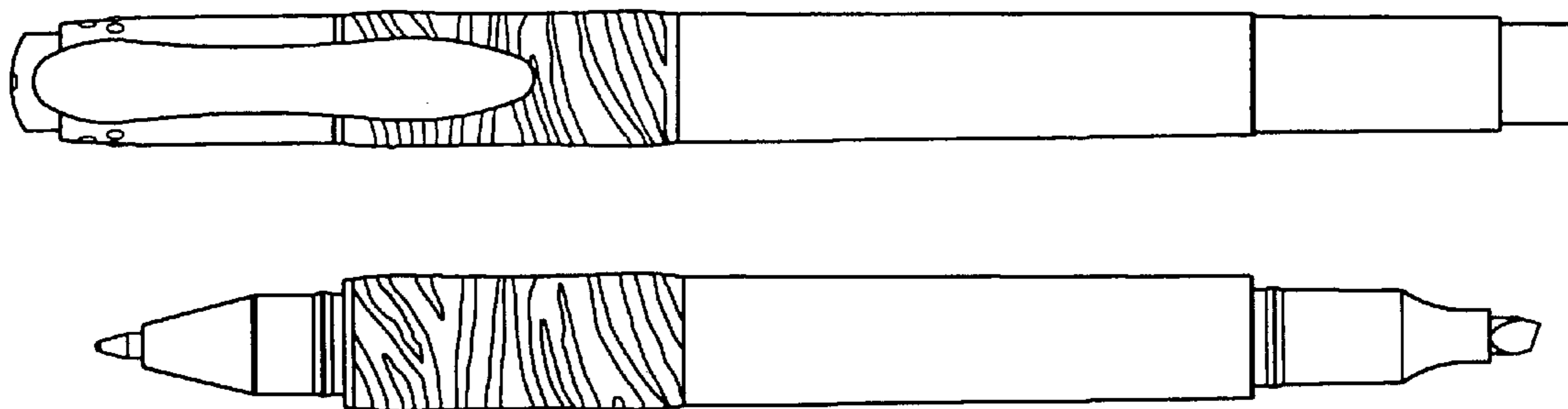


Fig. 1

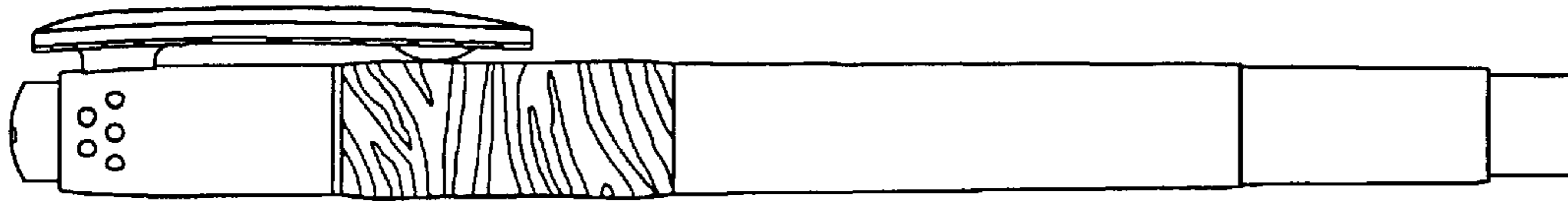


Fig. 2

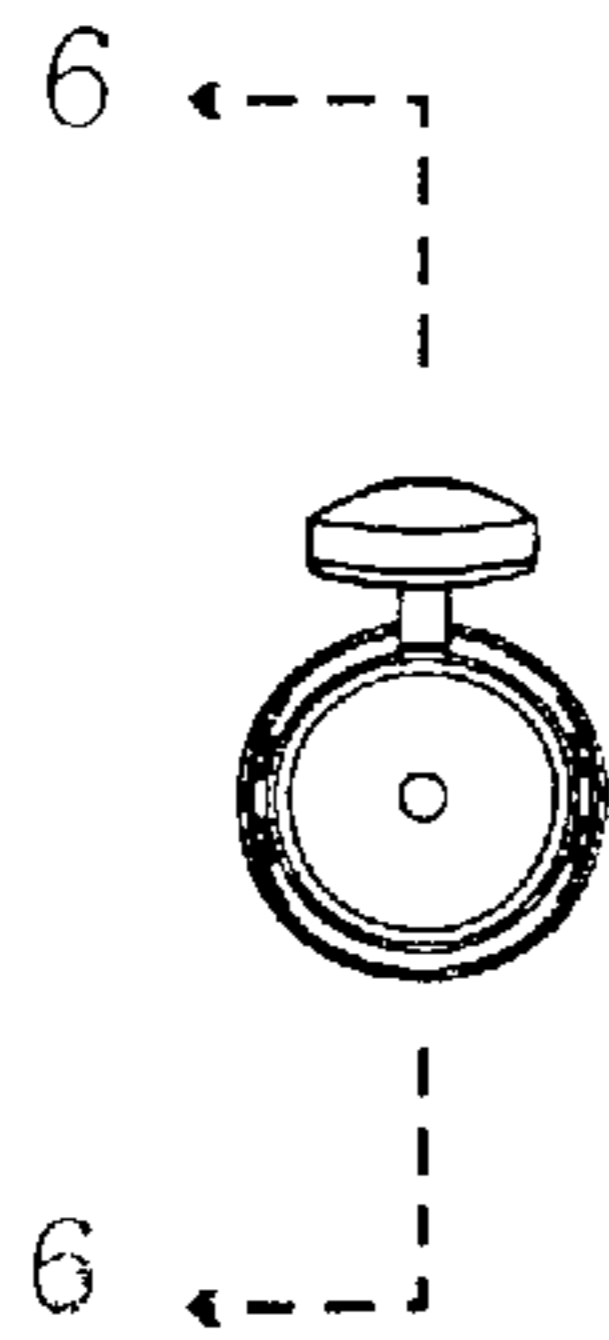


Fig. 3

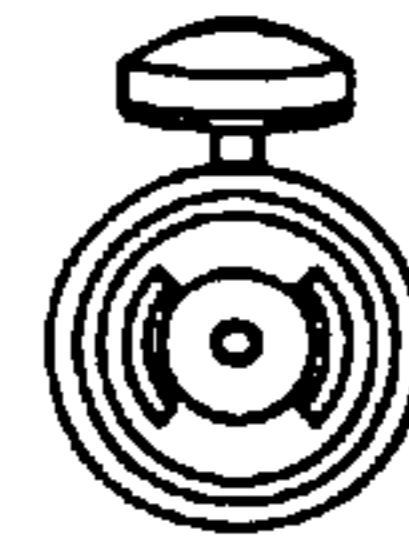


Fig. 4



Fig. 5



Fig. 6

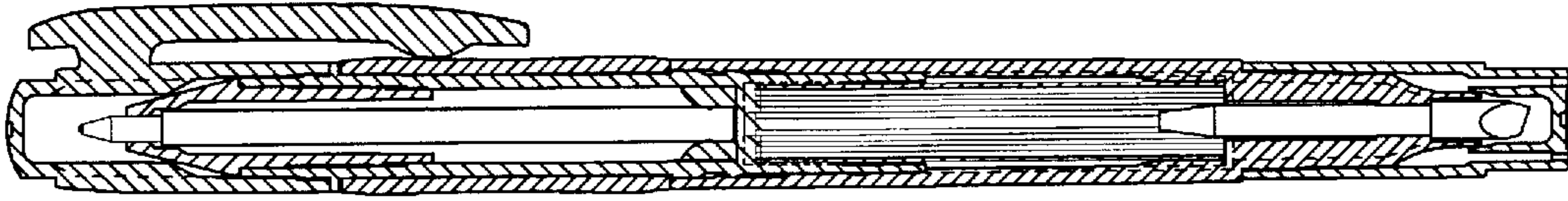


Fig. 7



Fig. 8

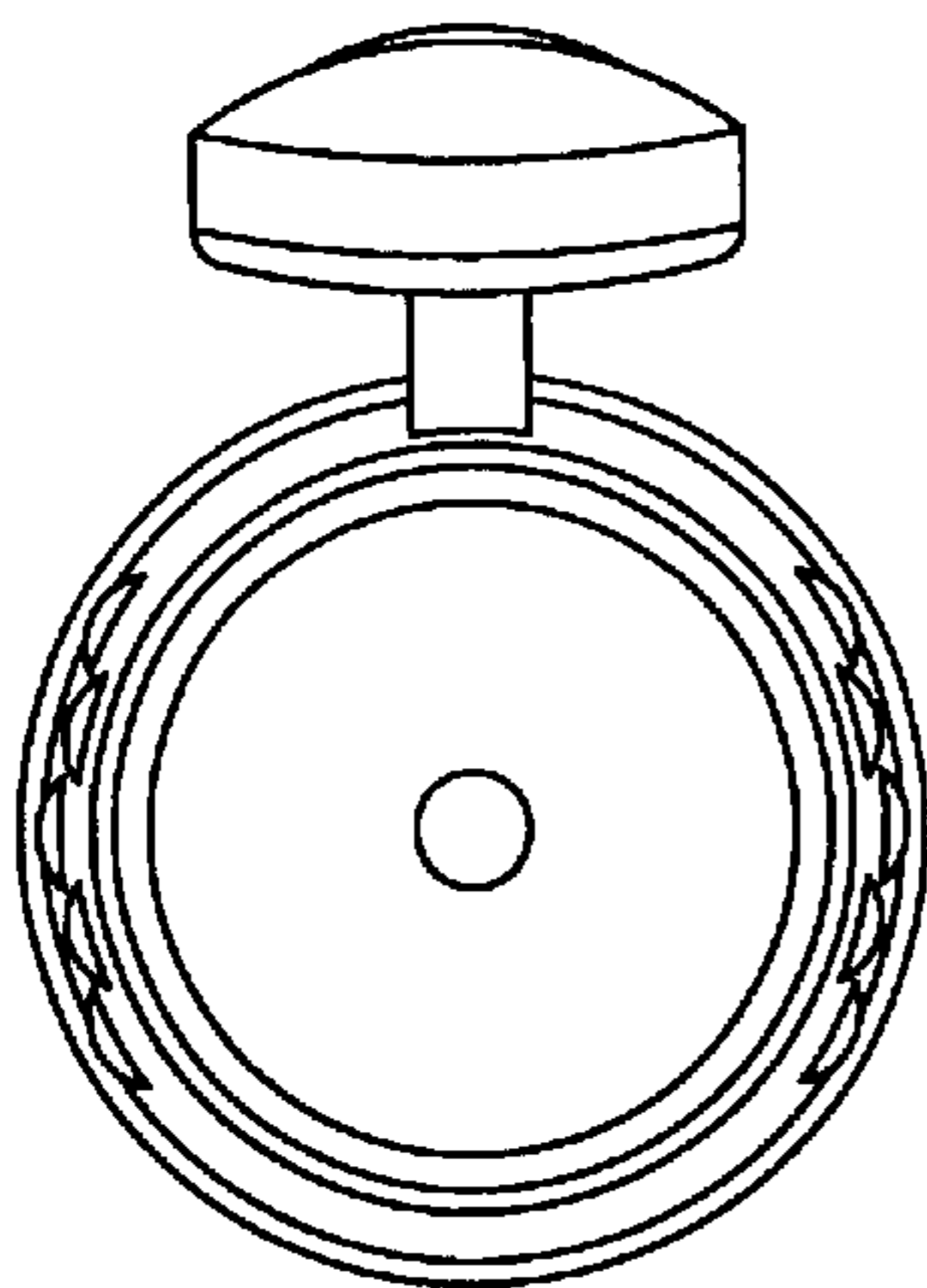


Fig. 9

