



US00D498492S

(12) **United States Design Patent**
Miyauchi et al.

(10) **Patent No.:** **US D498,492 S**

(45) **Date of Patent:** **** Nov. 16, 2004**

(54) **DISPLAY UNIT FOR PRINTER**

(75) Inventors: **Hiroto Miyauchi**, Nagano-ken (JP);
Saeko Inoue, Nagano-ken (JP); **Wataru Suzuki**, Nagano-ken (JP); **Keisuke Inoue**, Nagano-ken (JP)

(73) Assignee: **Seiko Epson Corporation**, Tokyo (JP)

(**) Term: **14 Years**

(21) Appl. No.: **29/180,666**

(22) Filed: **Apr. 29, 2003**

(30) **Foreign Application Priority Data**

Oct. 31, 2002 (JP) 2002-029878

(51) **LOC (7) Cl.** **18-02**

(52) **U.S. Cl.** **D18/50**

(58) **Field of Search** D18/19, 36-39,
D18/50, 54-54.1, 55; D14/420-426, 428,
462-470; 400/691-694, 613, 613.1-613.4,
690.1-690.4

(56) **References Cited**

U.S. PATENT DOCUMENTS

D263,719 S * 4/1982 McConnell D18/38
D267,723 S * 1/1983 Hara D18/38
D273,119 S * 3/1984 Noonan D18/53
D275,108 S * 8/1984 Noonan D18/38

D312,267 S * 11/1990 Biggs et al. D18/39
5,049,929 A * 9/1991 Anderson et al. D18/39
D344,973 S * 3/1994 Penke et al. D18/39
D366,272 S * 1/1996 Okamoto et al. D18/38
D369,382 S * 4/1996 Matsunaga et al. D18/55
D377,944 S * 2/1997 Seki et al. D18/39
D425,108 S * 5/2000 Kabumoto et al. D18/38

* cited by examiner

Primary Examiner—Cathy Anne MacCormac

(74) *Attorney, Agent, or Firm*—Sughrue Mion, PLLC

(57) **CLAIM**

The ornamental design for a display unit for printer, as shown and described.

DESCRIPTION

FIG. 1 is a perspective view of the top, front and right side of a display unit for printer showing our new design; FIG. 2 is a front elevational view thereof; FIG. 3 is a rear elevational view thereof; FIG. 4 is a left side elevational view thereof; FIG. 5 is a right side elevational view thereof; FIG. 6 is a top plan view thereof; FIG. 7 is a bottom plan view thereof; and, FIG. 8 is a perspective view similar to FIG. 1 as shown mounted on a printer.

The portion shown in broken lines is for illustrative purposes only and forms no part of the claimed design.

1 Claim, 5 Drawing Sheets

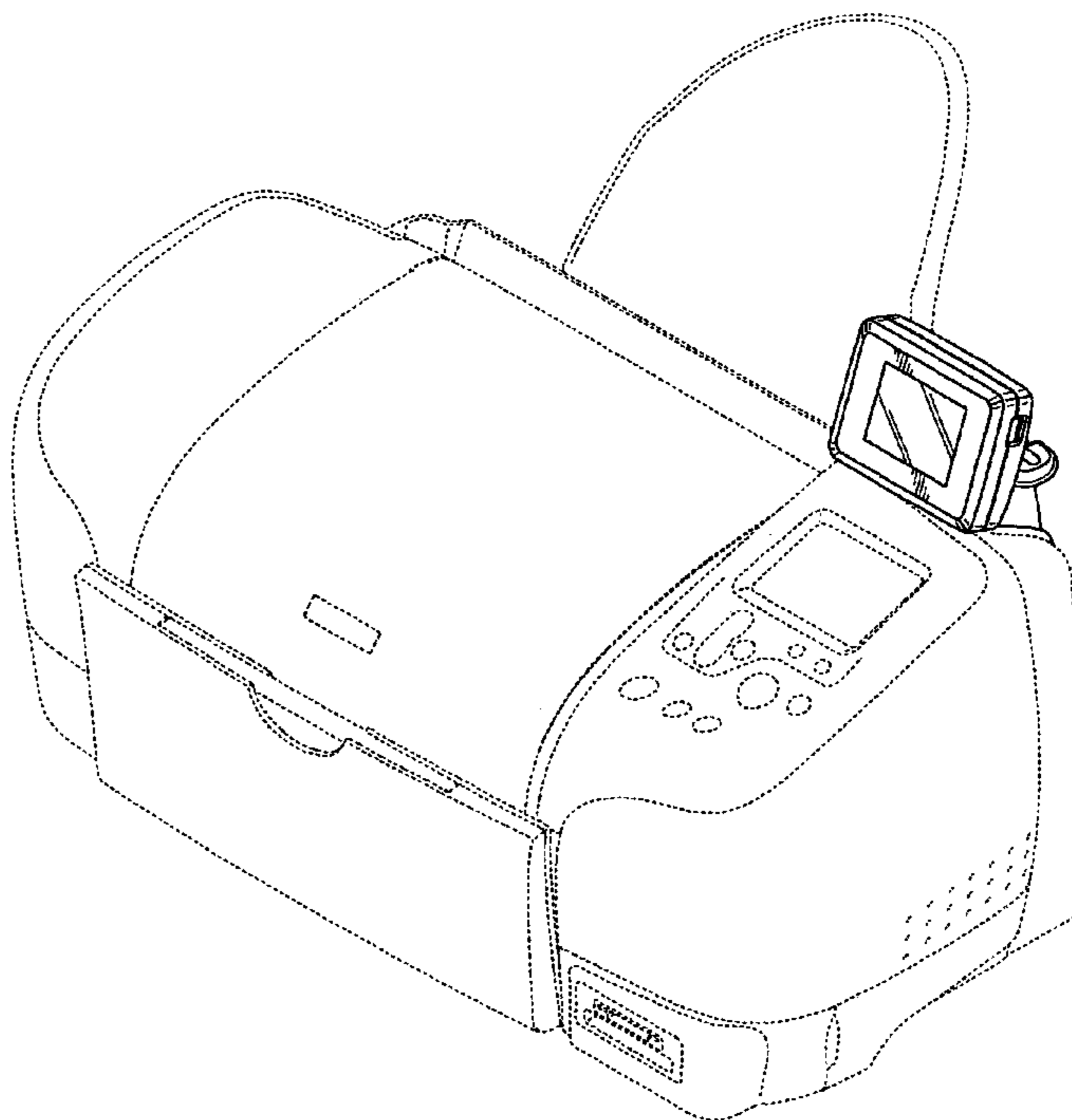
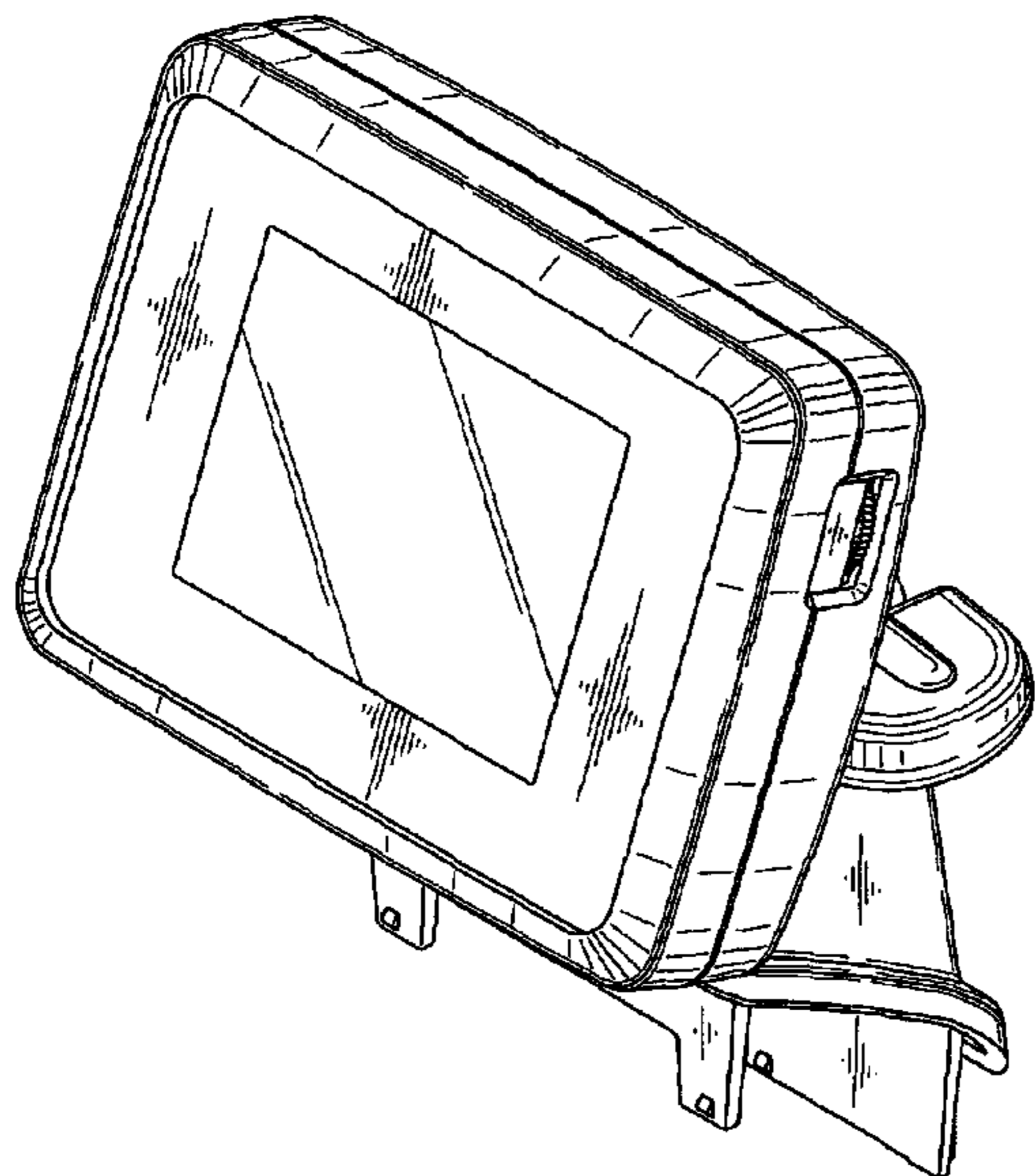


FIG. 1

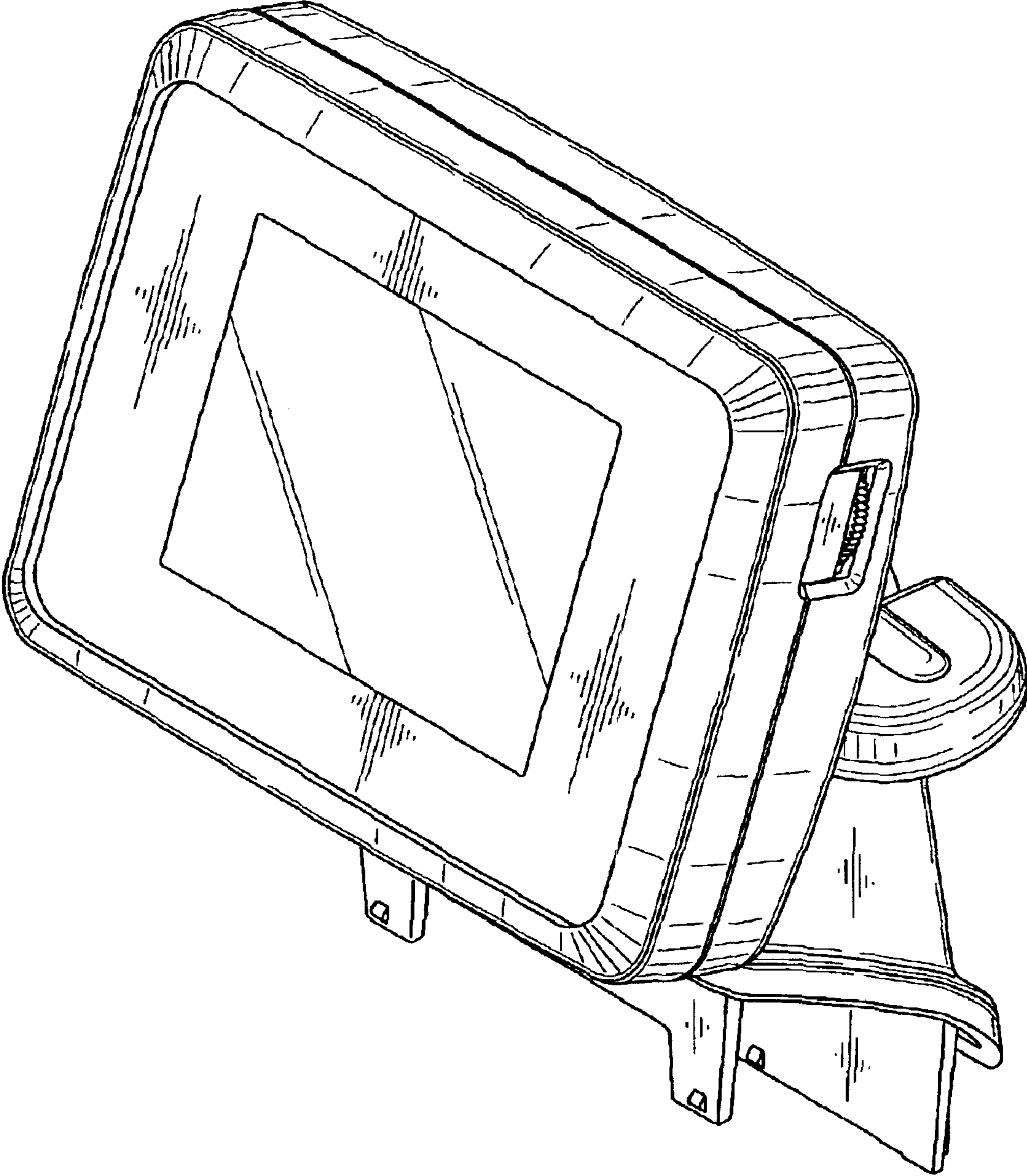


FIG. 3

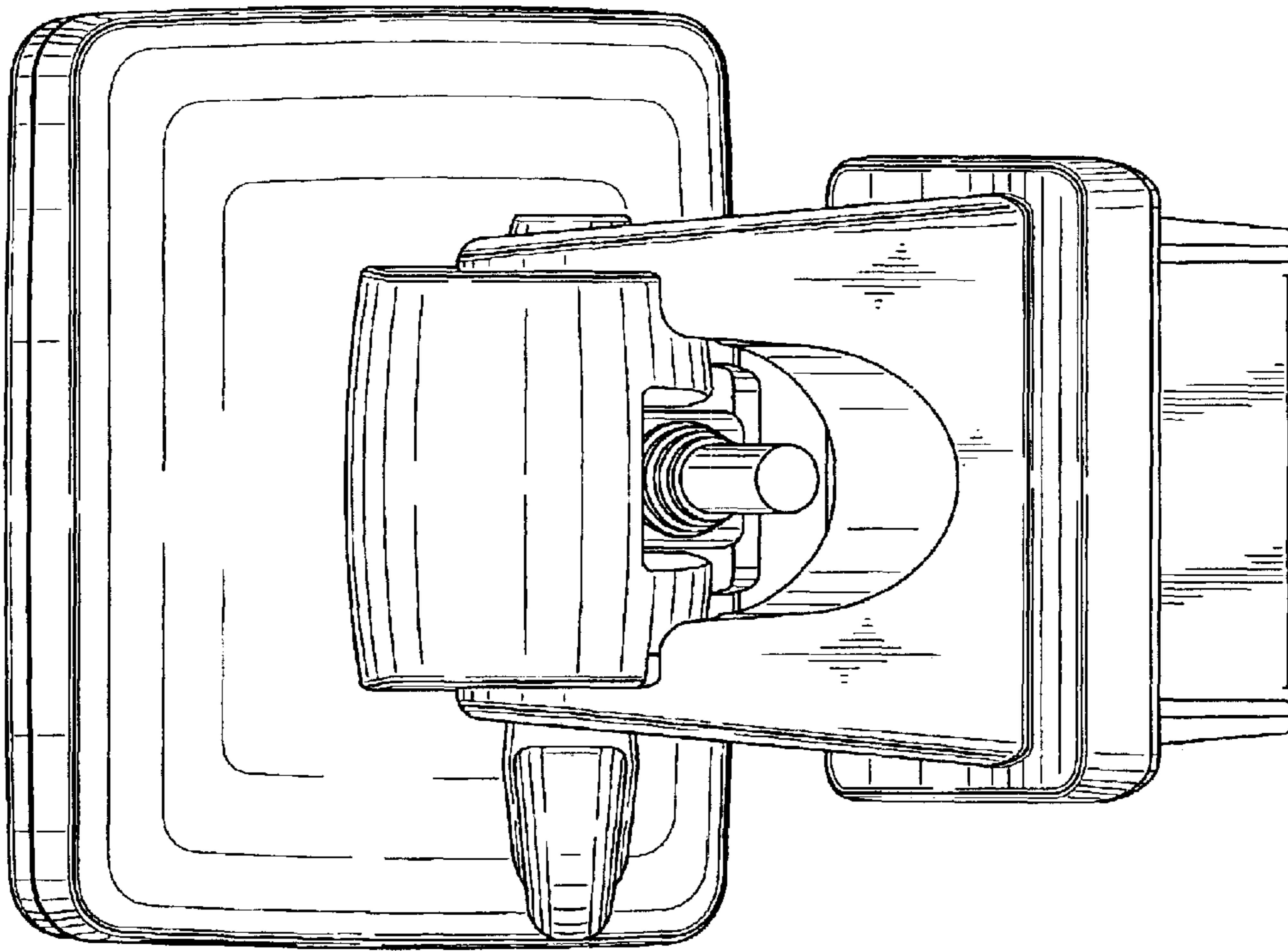


FIG. 2

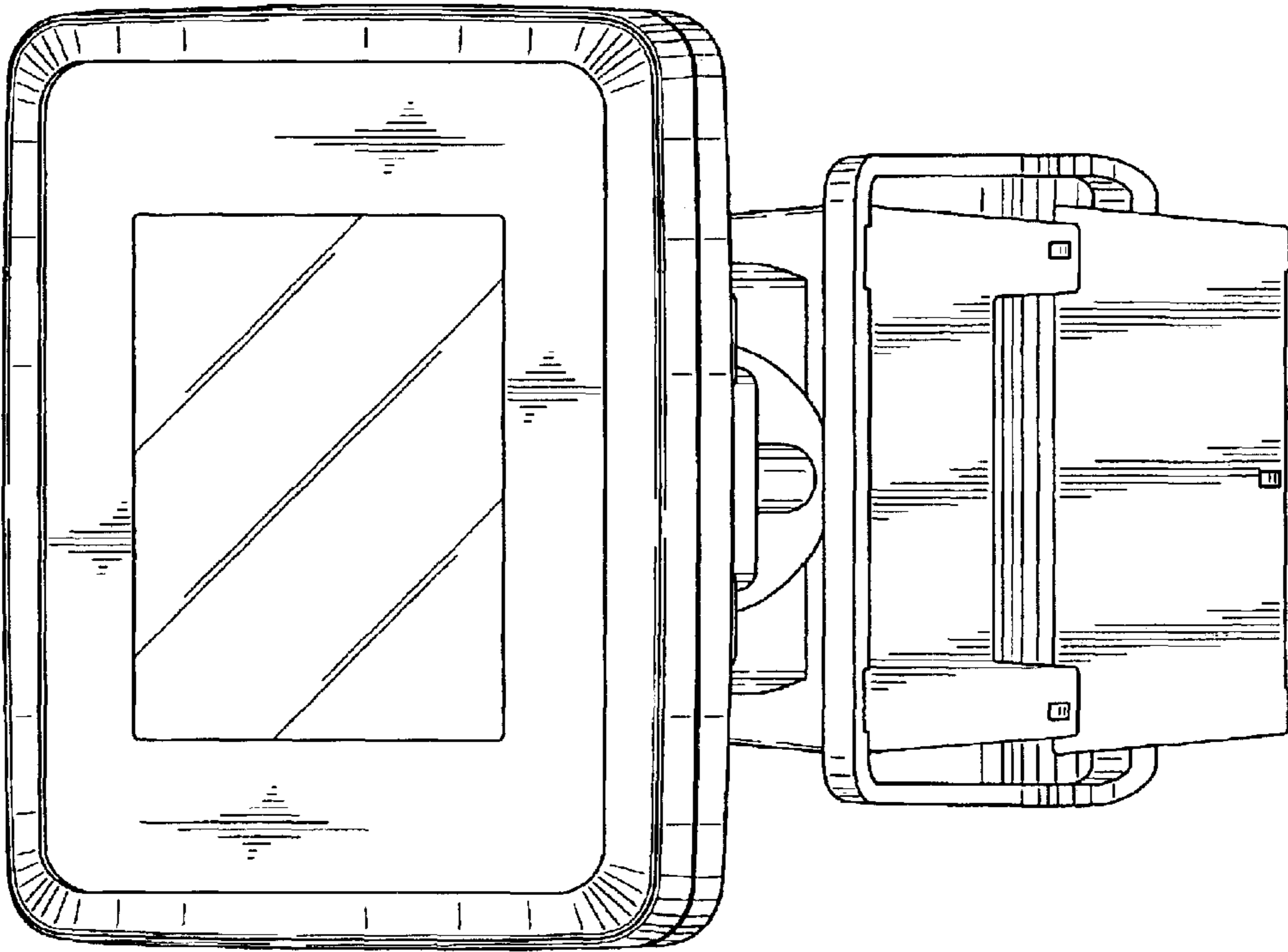


FIG. 5

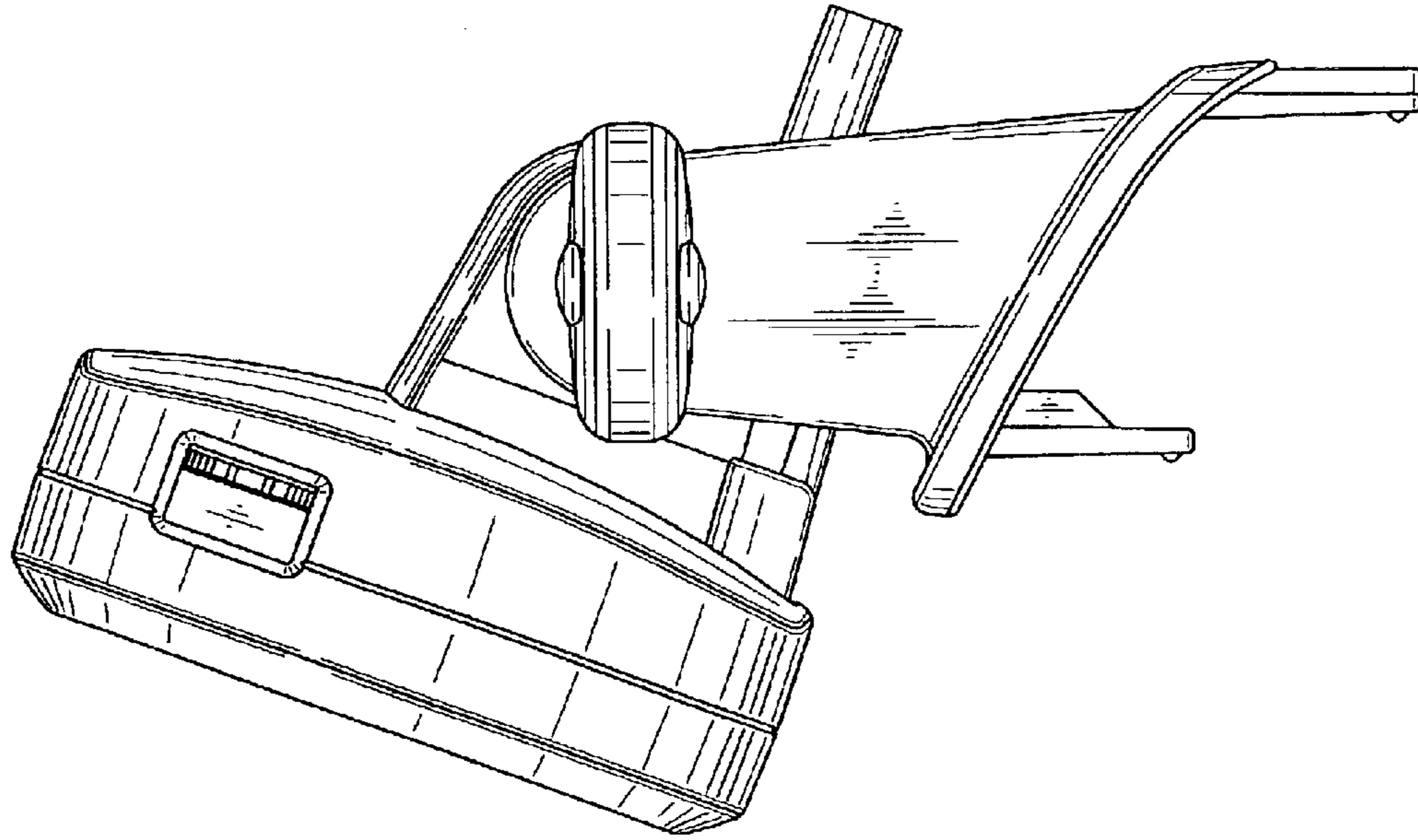


FIG. 4

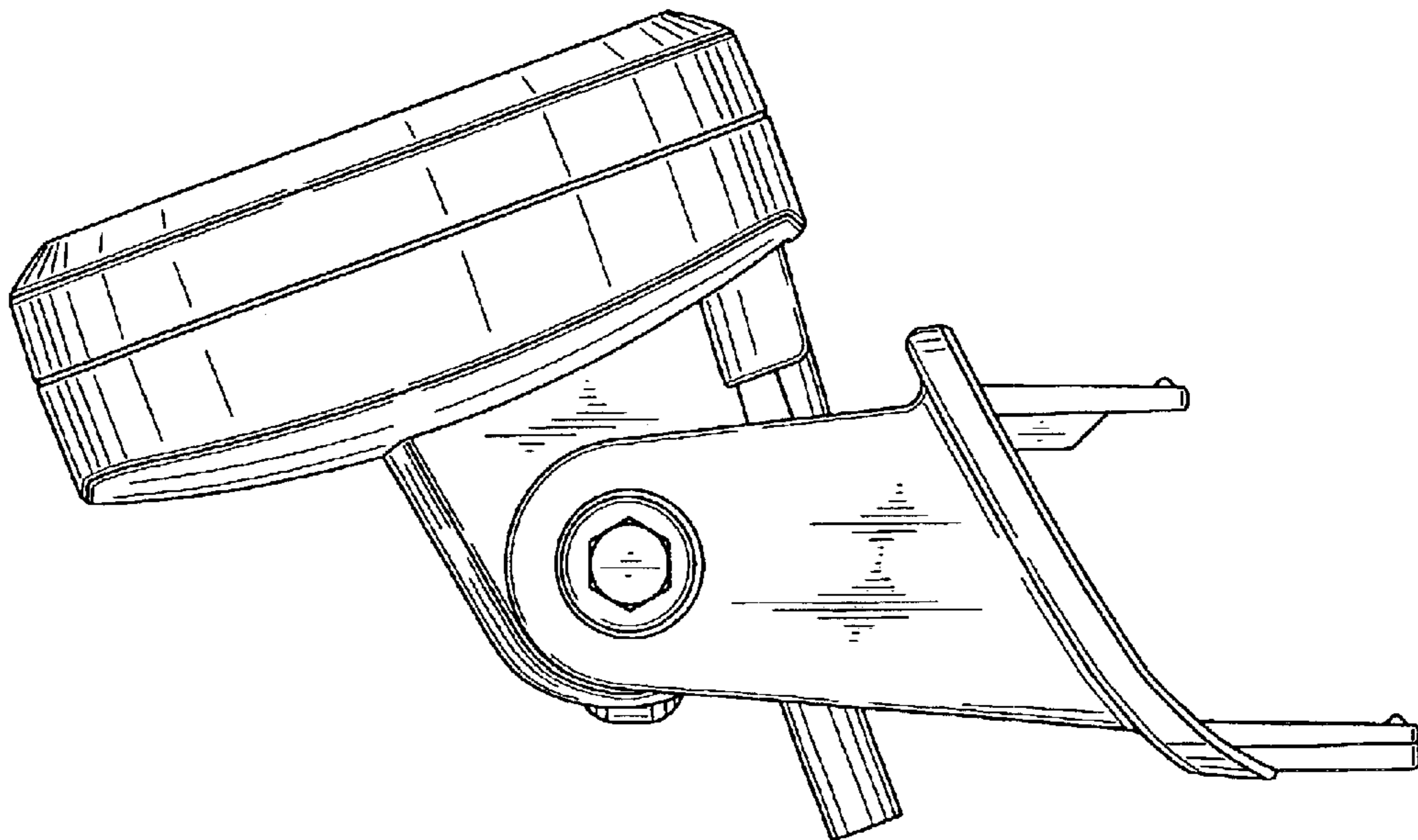


FIG. 6

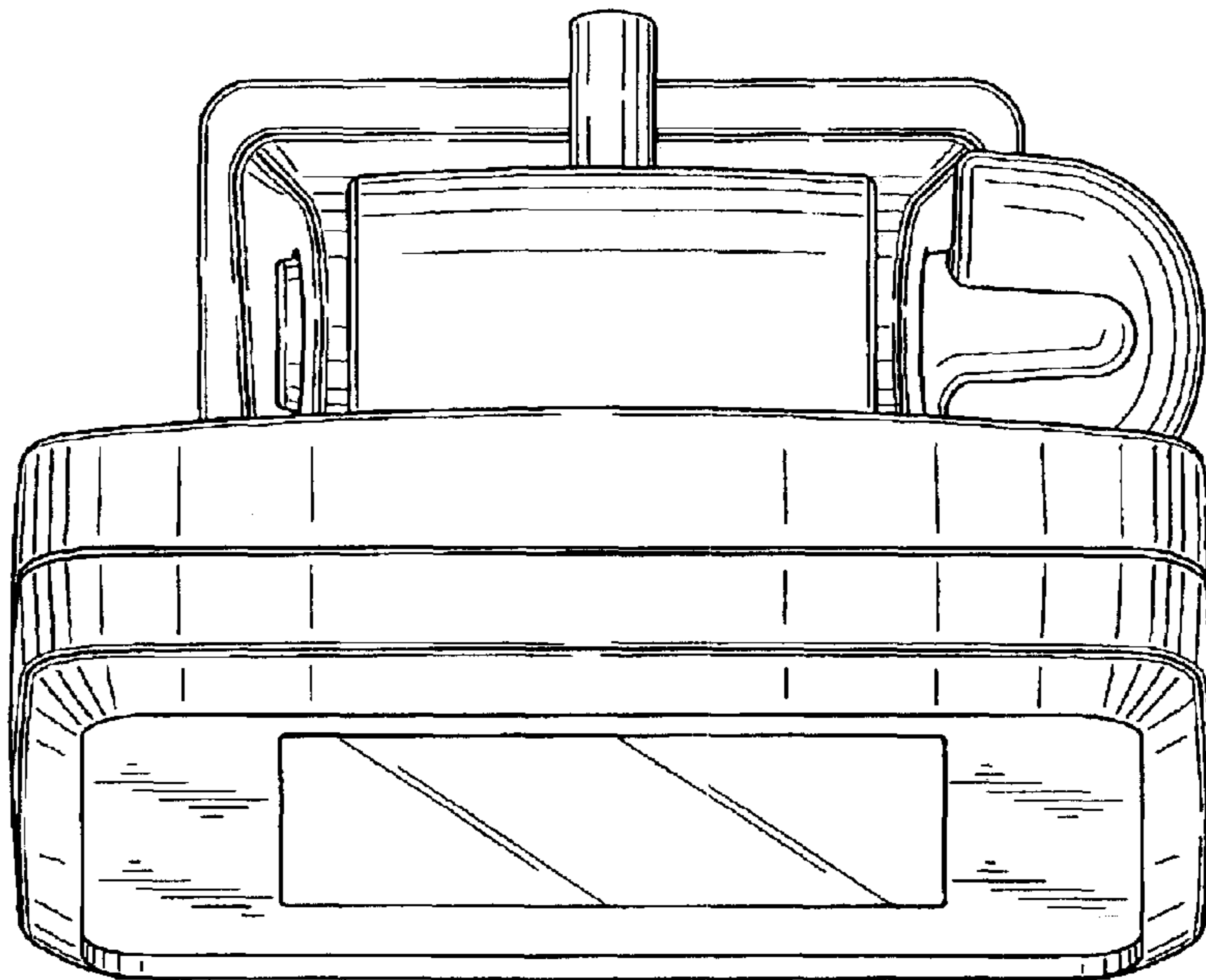


FIG. 7

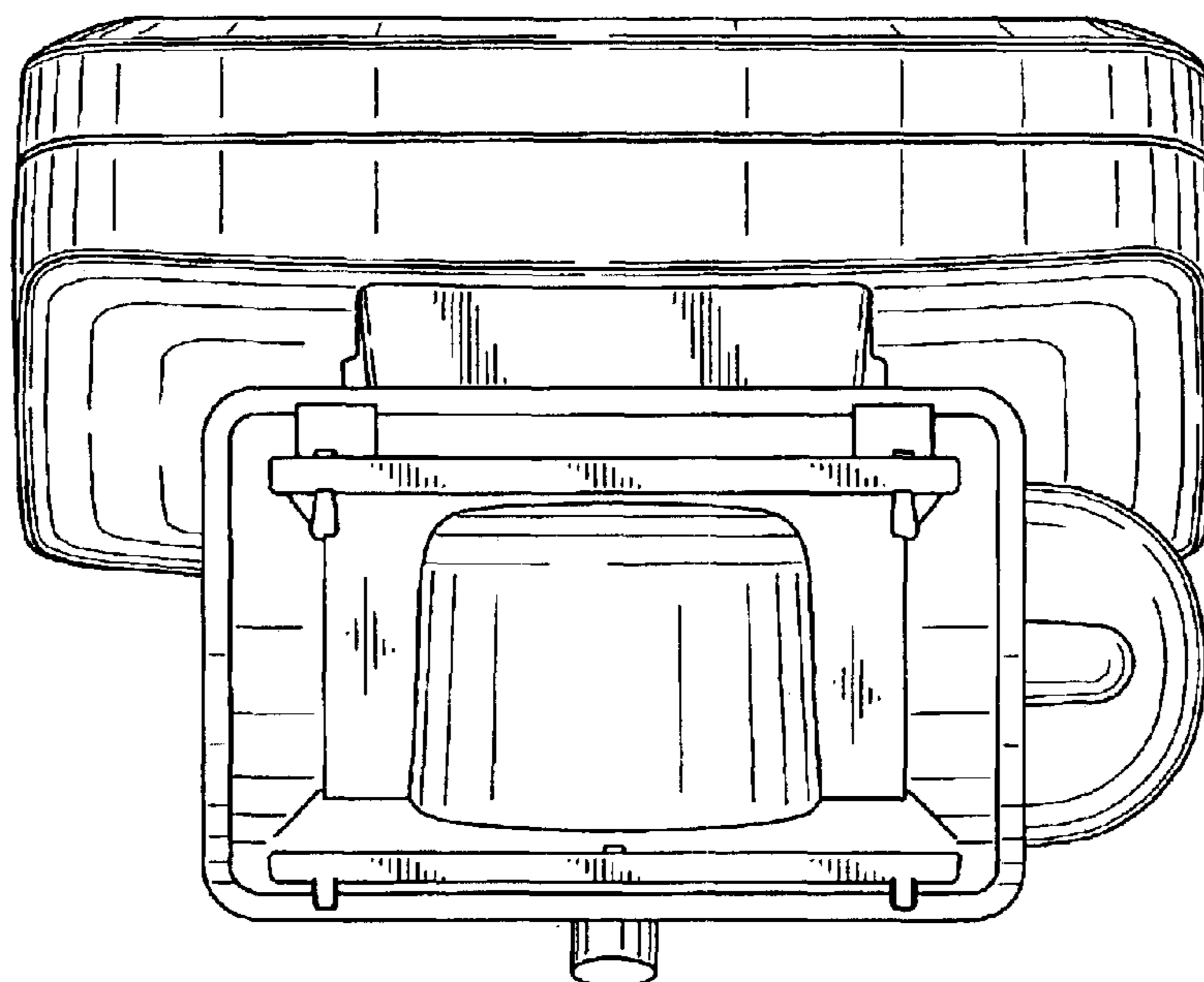


FIG. 8

