

US00D498491S

(12) **United States Design Patent**
Ohki et al.

(10) **Patent No.:** **US D498,491 S**

(45) **Date of Patent:** **** Nov. 16, 2004**

(54) **LENS COVER FOR A PROJECTOR**

6,568,813 B1 * 5/2003 Haba et al. 353/119
D480,408 S * 10/2003 Kawashima D16/230
D492,338 S * 6/2004 Ooshima D16/230

(75) Inventors: **Yuji Ohki**, Tokyo (JP); **Atsushi Shigemura**, Tokyo (JP); **Masakazu Iwamoto**, Tokyo (JP); **Shuji Shibuki**, Mitaka (JP)

* cited by examiner

Primary Examiner—Adir Aronovich

(73) Assignee: **Casio Keisanki Kabushiki Kaisha**, Tokyo (JP)

(74) *Attorney, Agent, or Firm*—Frishauf, Holtz, Goodman & Chick, P.C.

(**) Term: **14 Years**

(57) **CLAIM**

The ornamental design for lens cover for a projector, as shown and described.

(21) Appl. No.: **29/187,452**

DESCRIPTION

(22) Filed: **Jul. 31, 2003**

(30) **Foreign Application Priority Data**

May 29, 2003 (JP) 2003-015093

(51) **LOC (7) Cl.** **16-02**

(52) **U.S. Cl.** **D16/235; D16/230**

(58) **Field of Search** D16/205, 208,
D16/213, 221, 225, 230, 231, 234, 235;
D21/514; 352/34, 342; 353/101, 115, 119,
122

FIG. 1 is a front, right, top side perspective view of a lens cover for a projector showing our new design;
FIG. 2 is a front elevational view thereof;
FIG. 3 is a rear elevational view thereof;
FIG. 4 is a left side view thereof;
FIG. 5 is a right side view thereof;
FIG. 6 is a top plan view thereof;
FIG. 7 is a bottom plan view thereof;
FIG. 8 is a front, right, top side perspective view showing a state in which the lens cover is moved to an open position;
FIG. 9 is a front elevational view thereof; and,
FIG. 10 is a top plan view thereof.

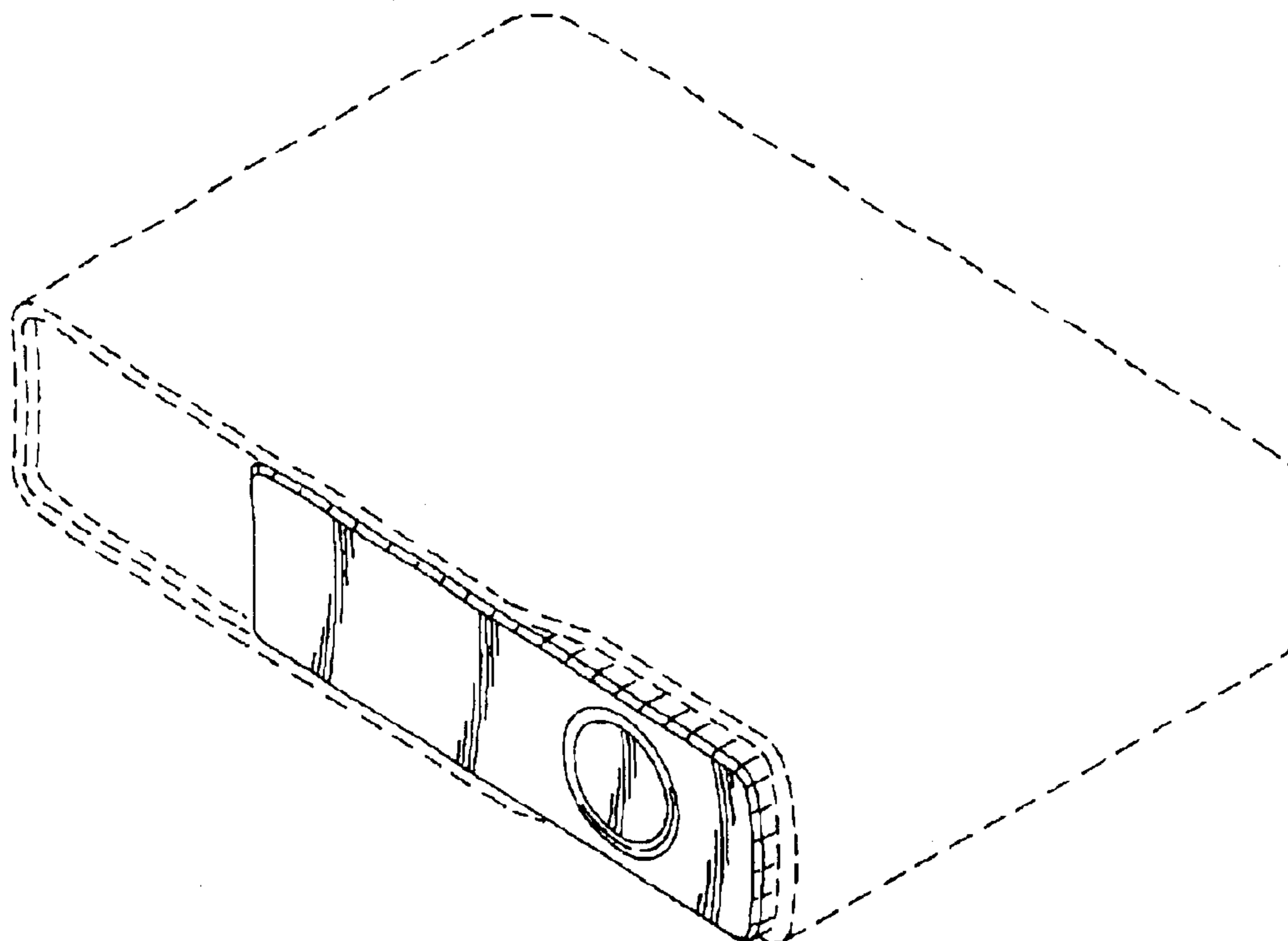
The broken line showing of the projector is for illustrative purposes only and forms no part of the claimed design.

(56) **References Cited**

U.S. PATENT DOCUMENTS

D439,594 S * 3/2001 Komatsu et al. D16/231
D467,604 S * 12/2002 Niitsu D16/230
D472,570 S * 4/2003 Takahashi D16/230

1 Claim, 4 Drawing Sheets



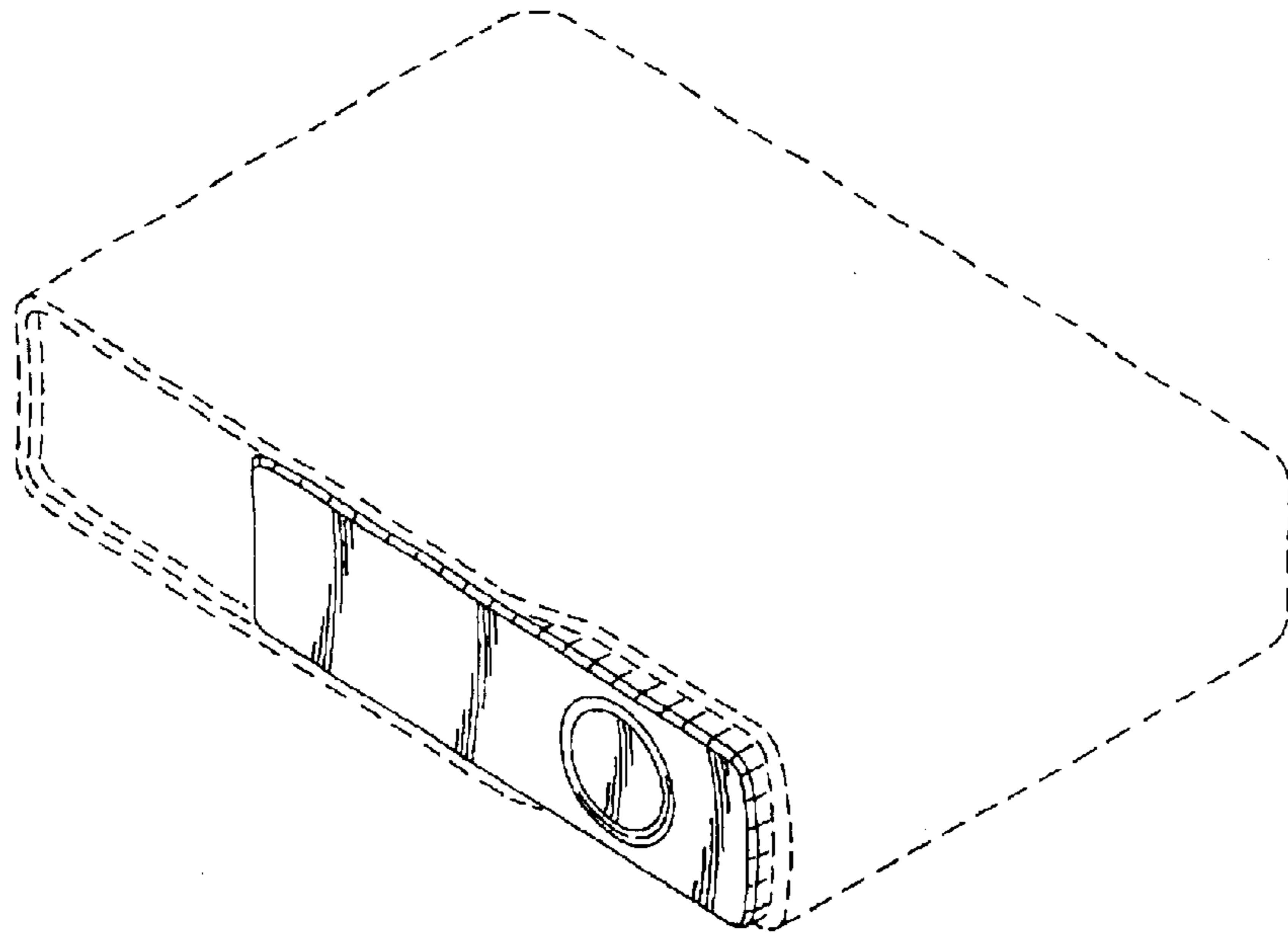


FIG. 1

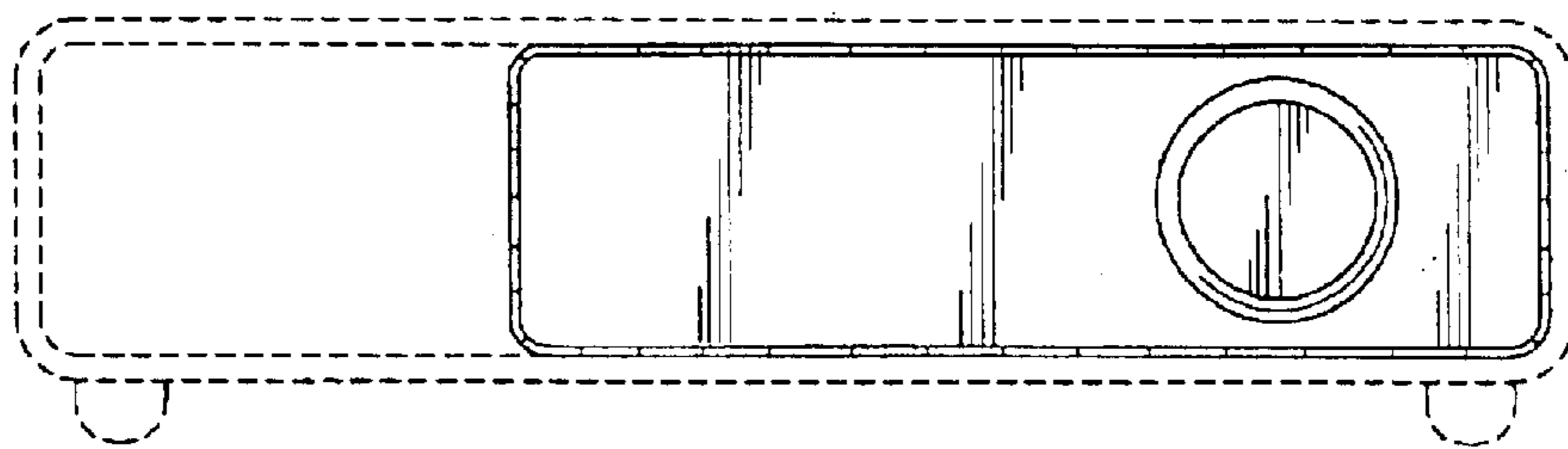


FIG. 2



FIG. 3



FIG. 4

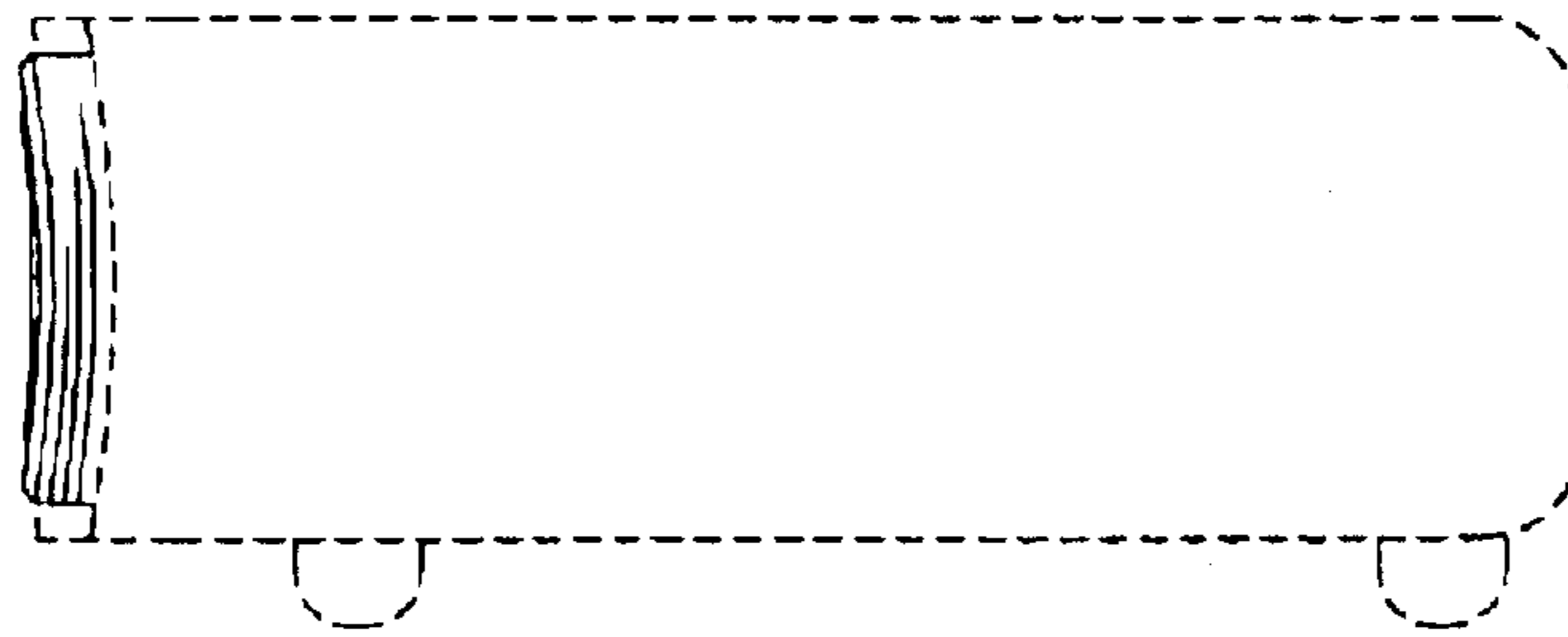


FIG. 5

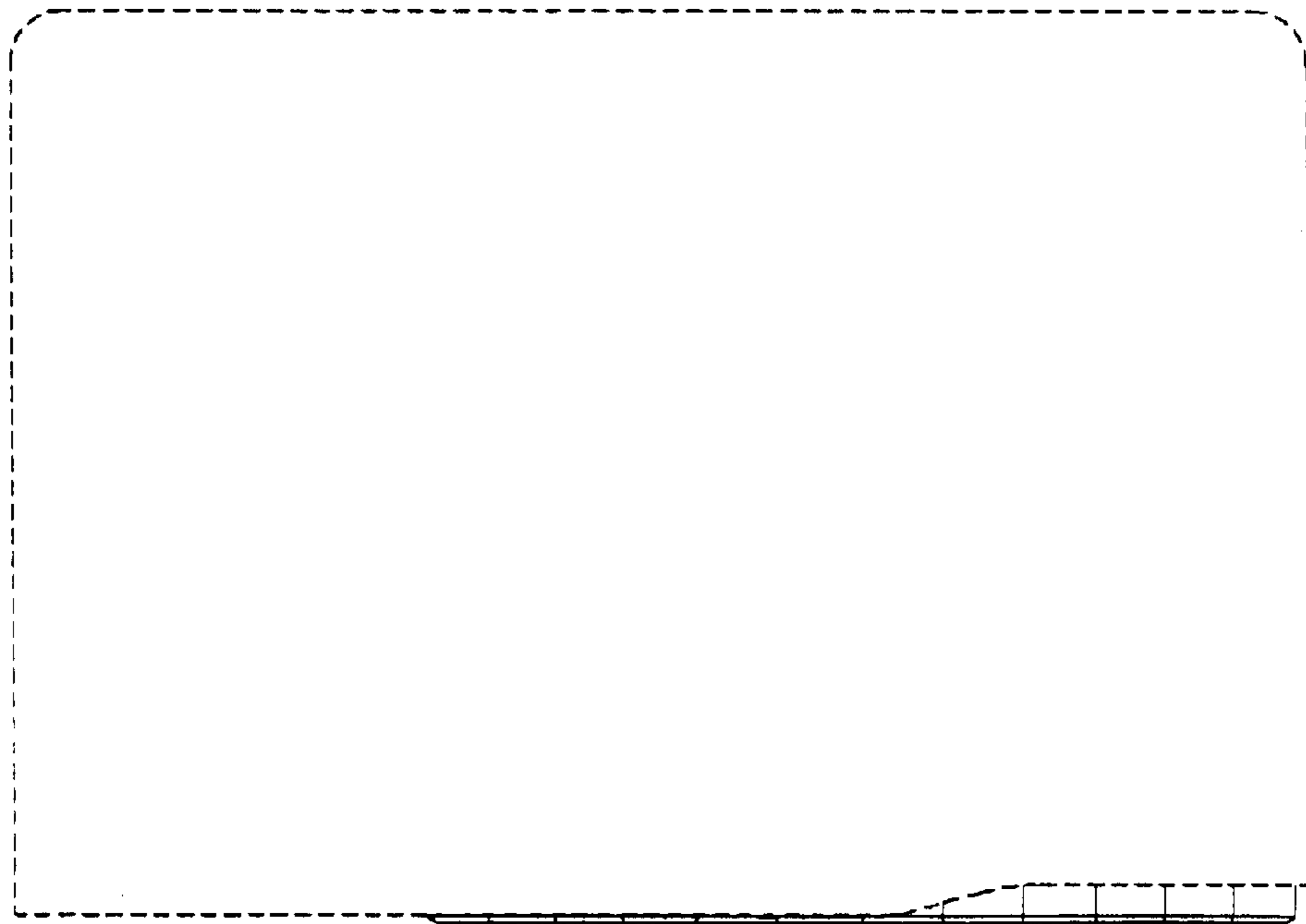


FIG. 6

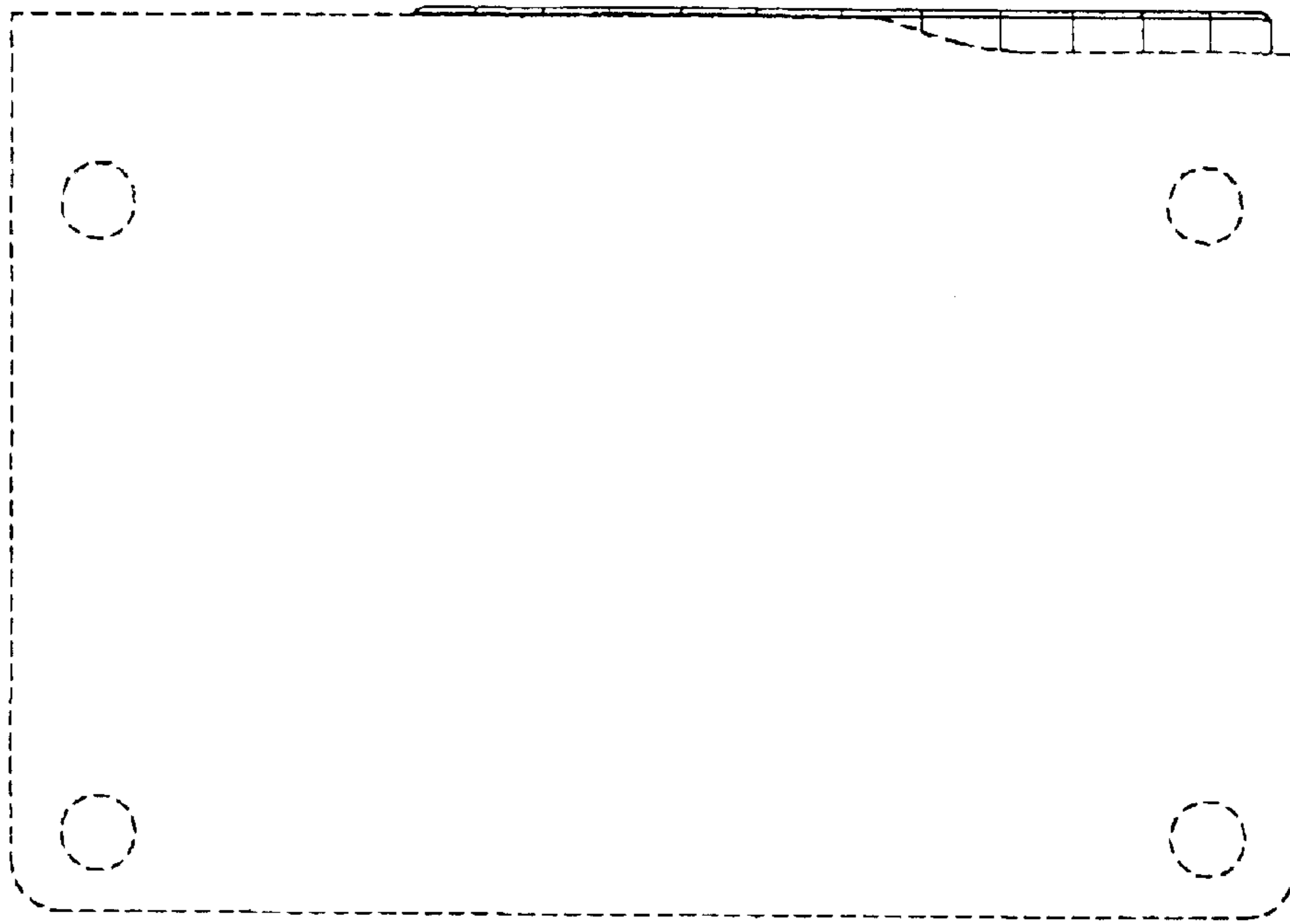


FIG. 7

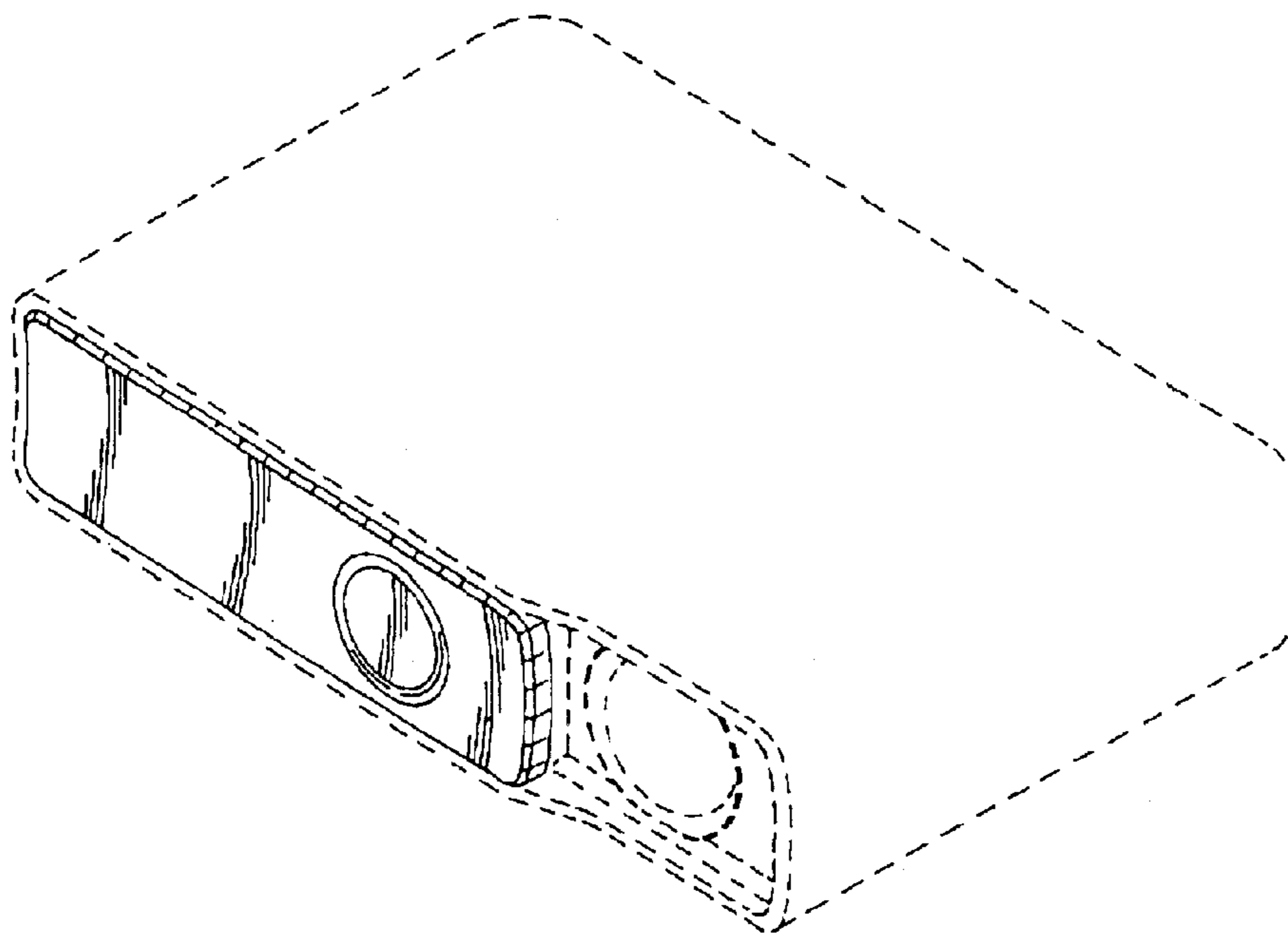


FIG. 8

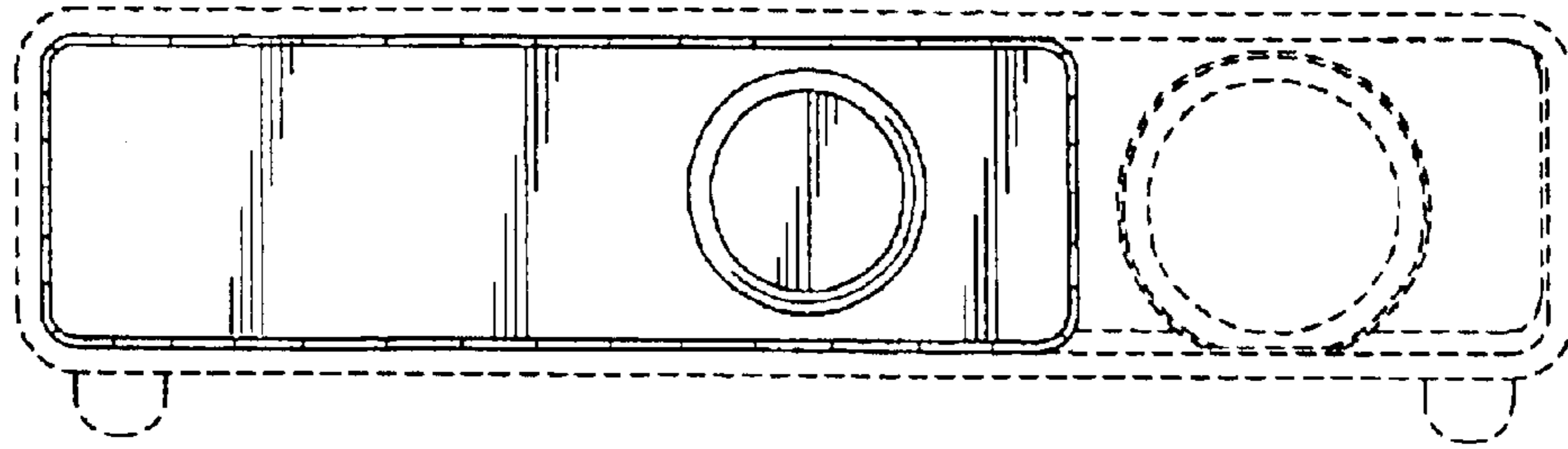


FIG. 9

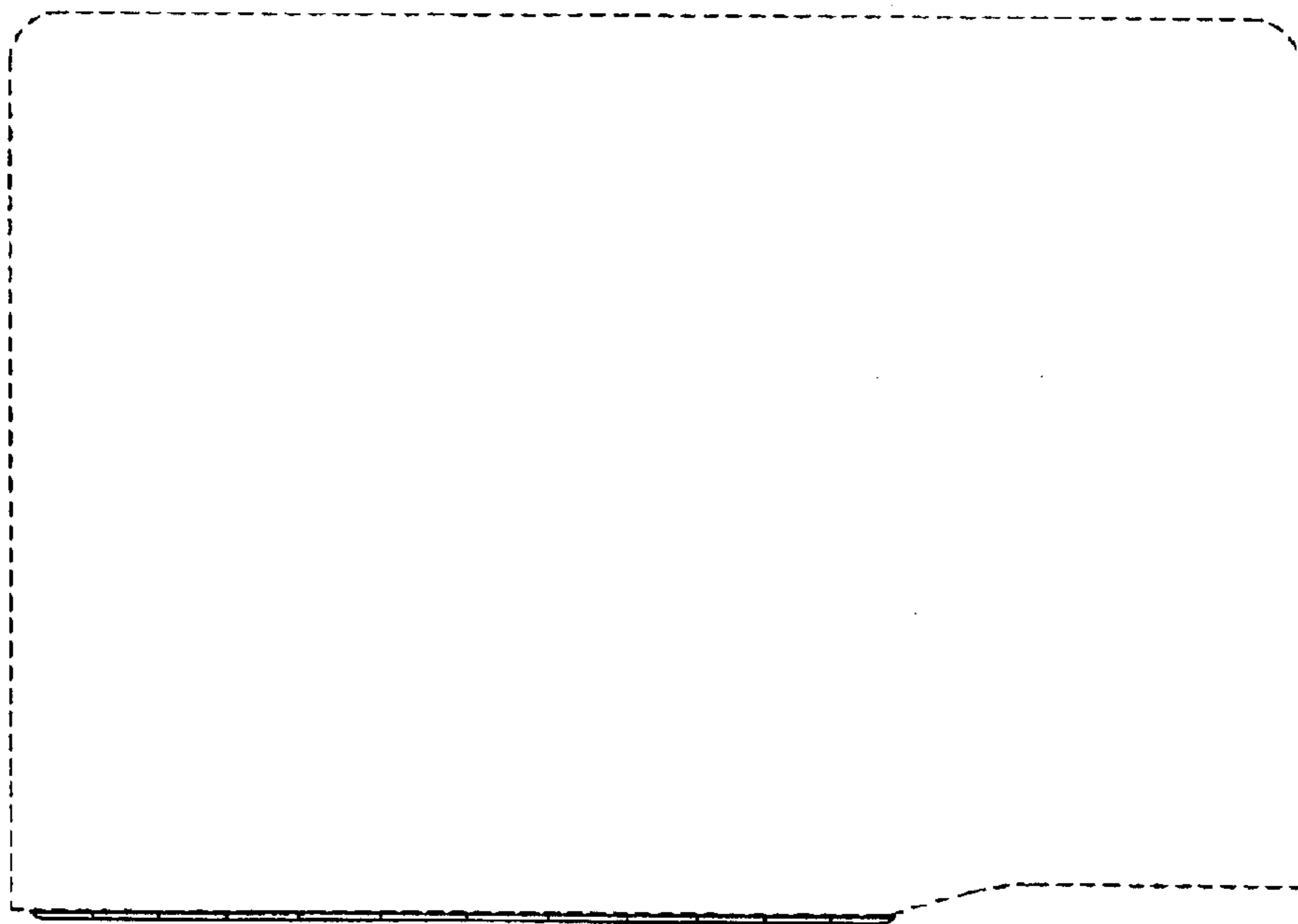


FIG. 10