

US00D498489S

(12) **United States Design Patent**
Oross

(10) **Patent No.:** **US D498,489 S**

(45) **Date of Patent:** **** Nov. 16, 2004**

(54) **PROJECTOR**

(75) **Inventor:** **Glen A. Oross, Corvallis, OR (US)**

(73) **Assignee:** **Hewlett-Packard Development Company, L.P., Houston, TX (US)**

(**) **Term:** **14 Years**

(21) **Appl. No.:** **29/183,043**

(22) **Filed:** **Jun. 3, 2003**

(51) **LOC (7) Cl.** **16-02**

(52) **U.S. Cl.** **D16/230; D16/225**

(58) **Field of Search** **D16/200, 205, D16/221, 225, 230, 231, 234; D21/514; 353/115, 119, 122**

(56) **References Cited**

U.S. PATENT DOCUMENTS

- D387,795 S * 12/1997 Sakamoto D16/231
- D400,903 S * 11/1998 Miyagawa et al. D16/225
- D450,076 S * 11/2001 Fujimaki D16/230

- D454,360 S * 3/2002 Shimizu et al. D16/230
- D464,074 S * 10/2002 Miyazaki D16/230
- D472,570 S * 4/2003 Takahashi D16/230
- 6,568,813 B1 * 5/2003 Haba et al. 353/119
- 6,616,282 B2 * 9/2003 Ozawa 353/119

* cited by examiner

Primary Examiner—Adir Aronovich

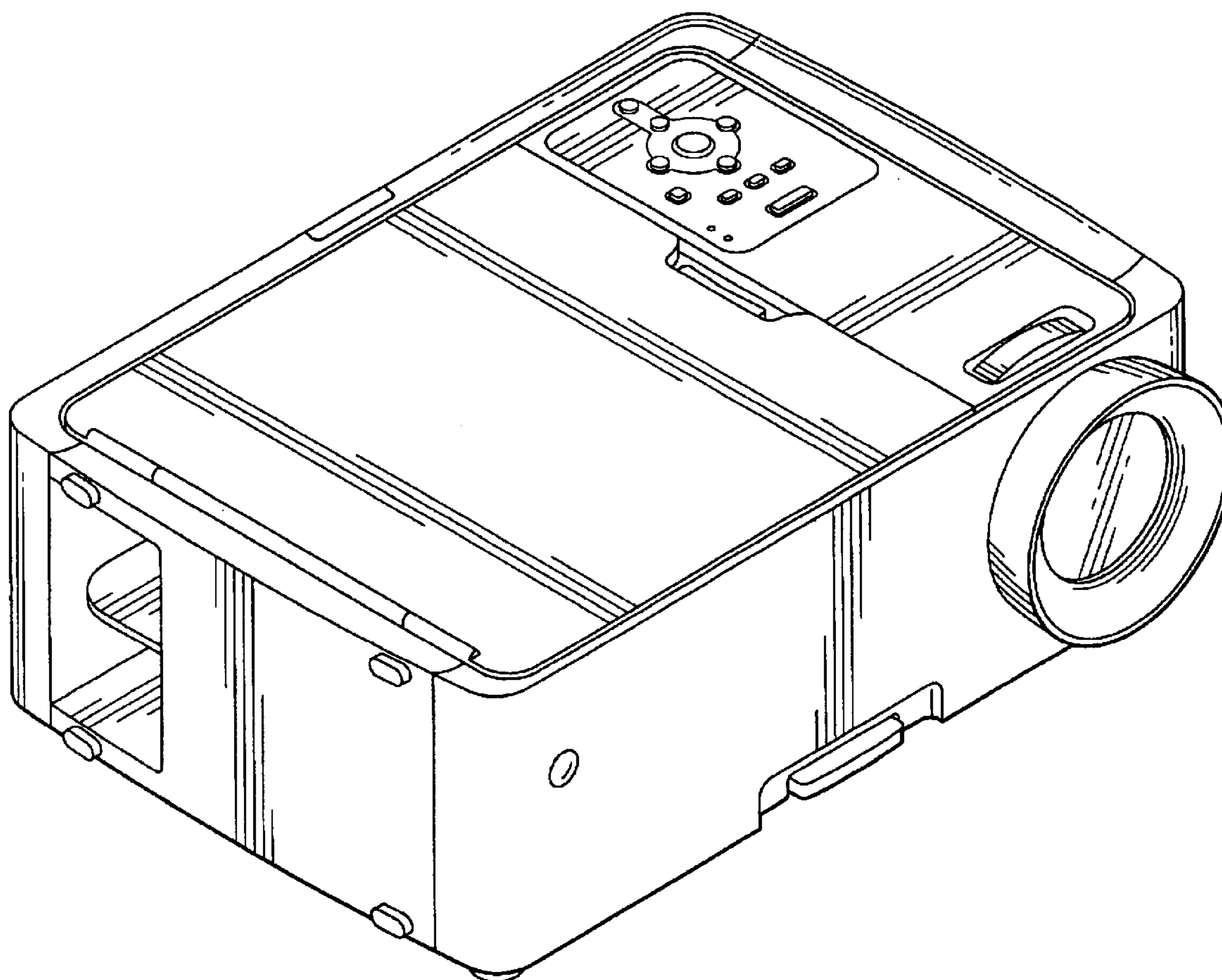
(57) **CLAIM**

The ornamental design for a projector, as shown and described.

DESCRIPTION

FIG. 1 is an isometric view of a projector according to an embodiment of the invention;
 FIG. 2 is a front view thereof;
 FIG. 3 is a back view thereof;
 FIG. 4 is a left-side view thereof;
 FIG. 5 is a right-side view thereof;
 FIG. 6 is a top view thereof; and,
 FIG. 7 is a bottom view thereof.

1 Claim, 5 Drawing Sheets



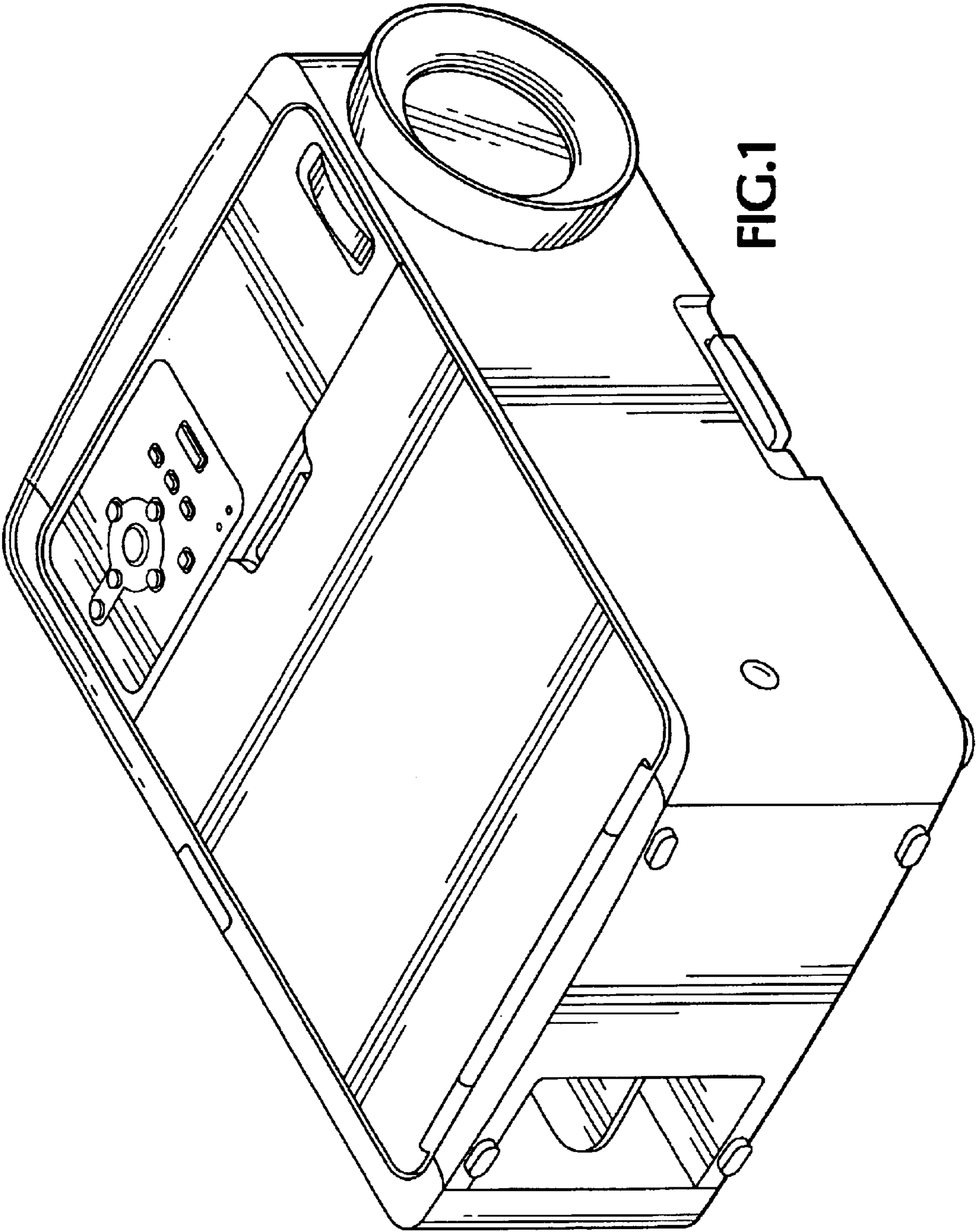
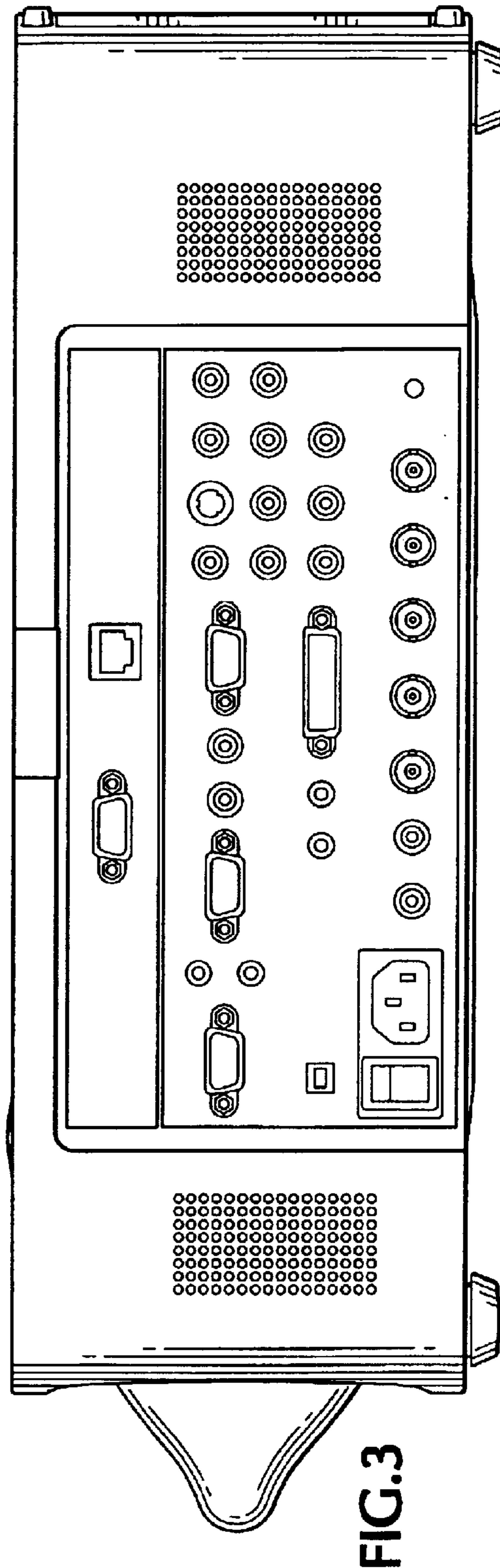
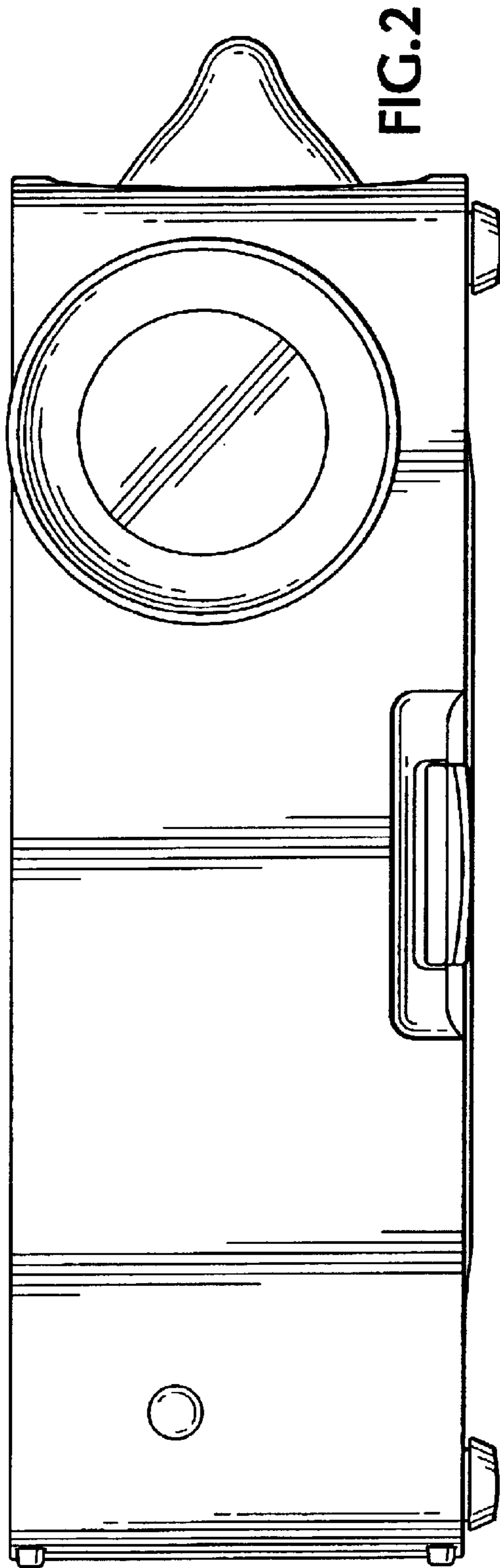


FIG.1



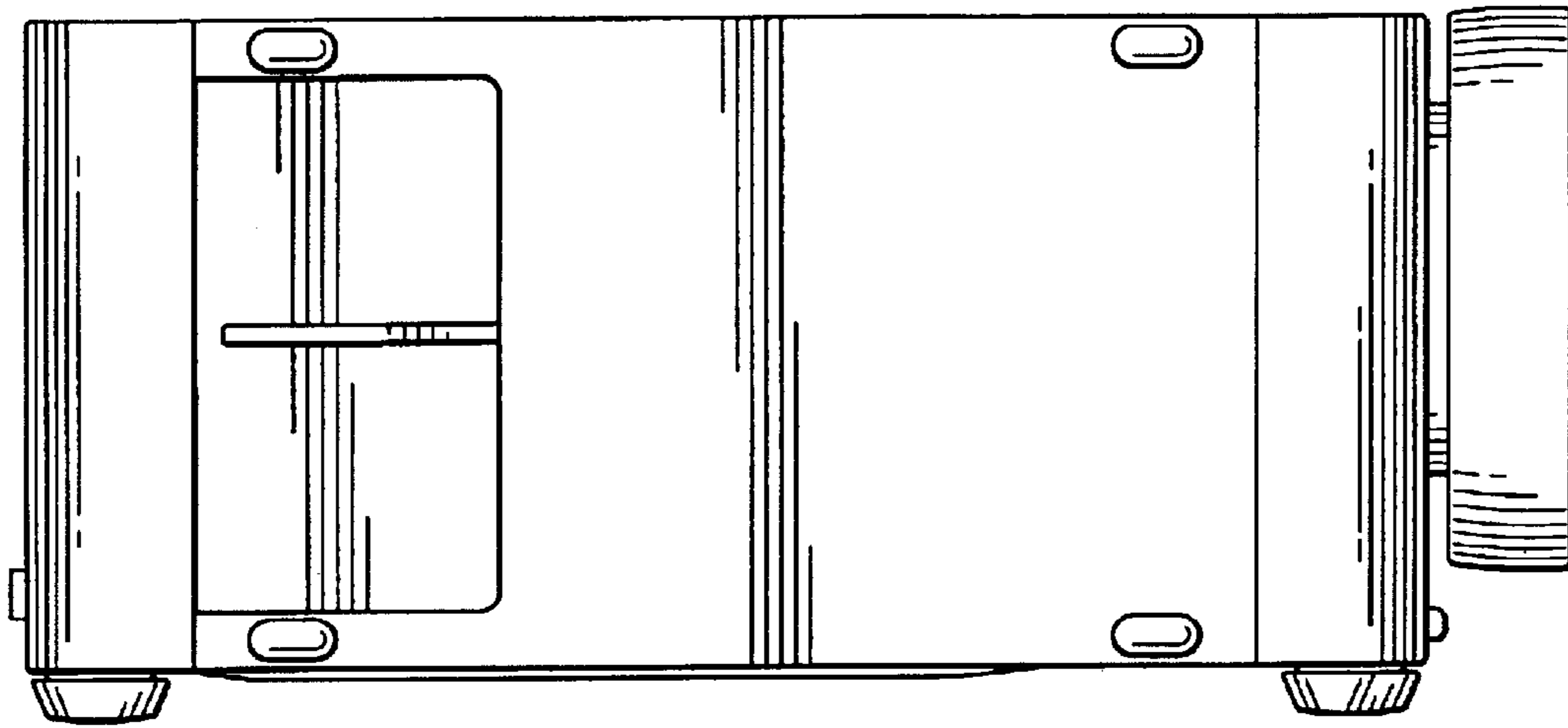


FIG.4

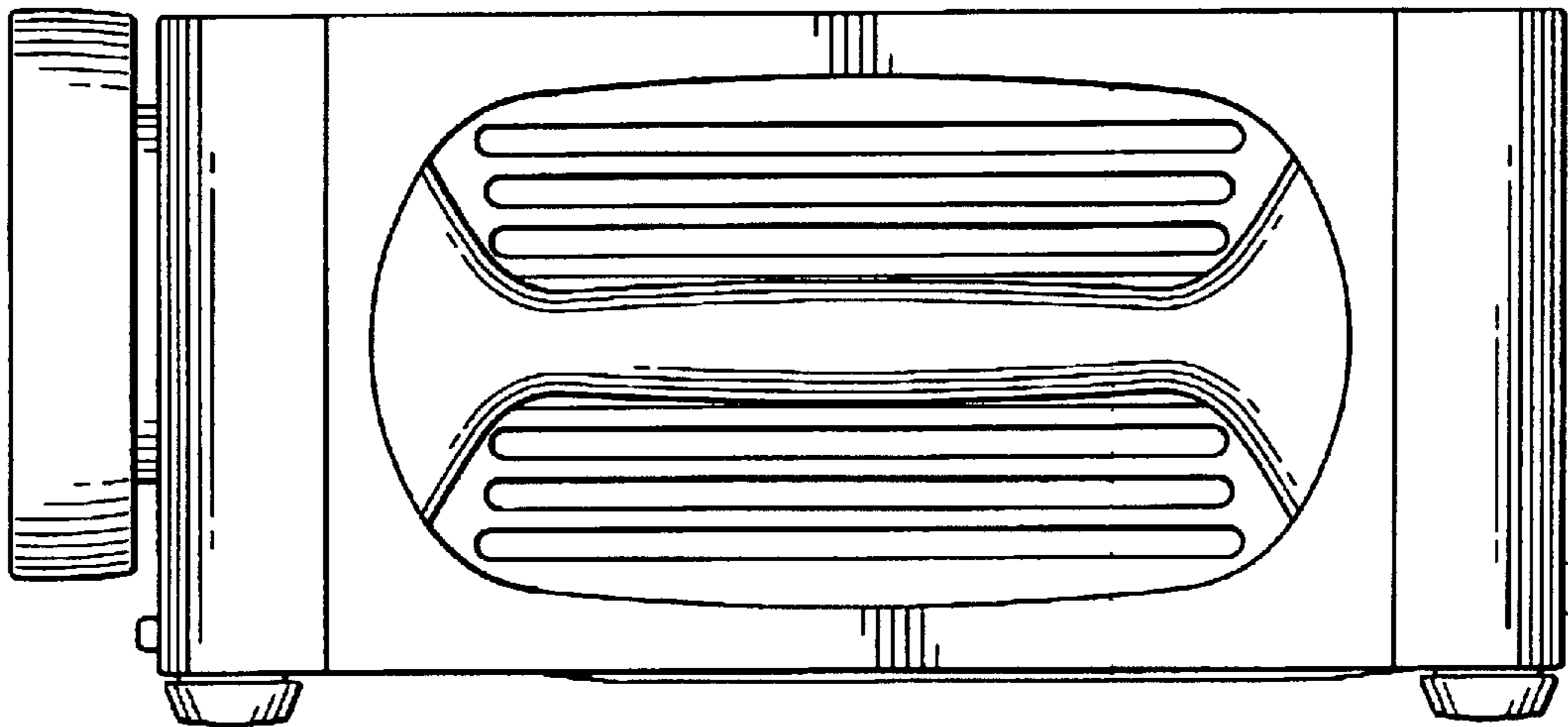


FIG.5

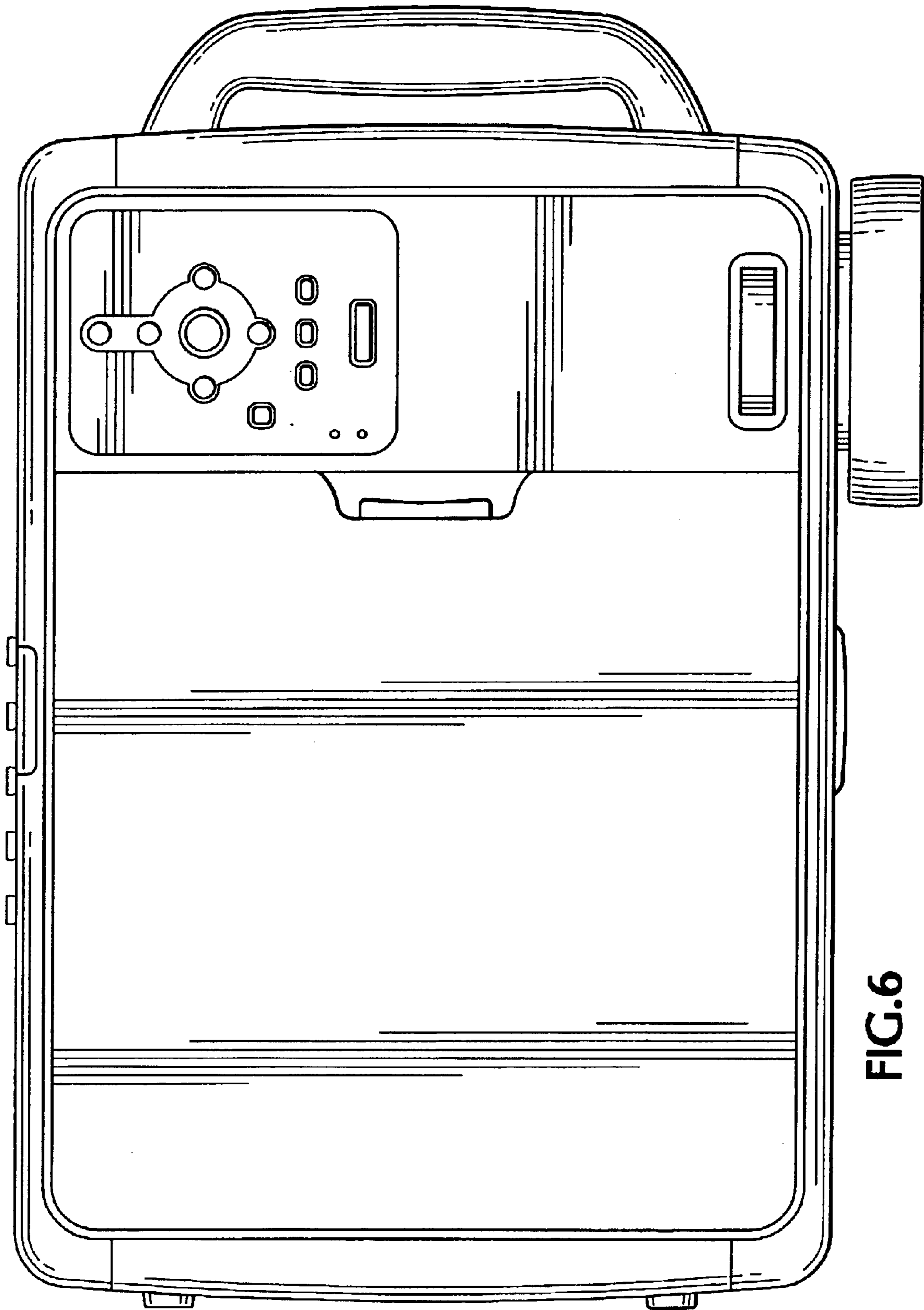


FIG.6

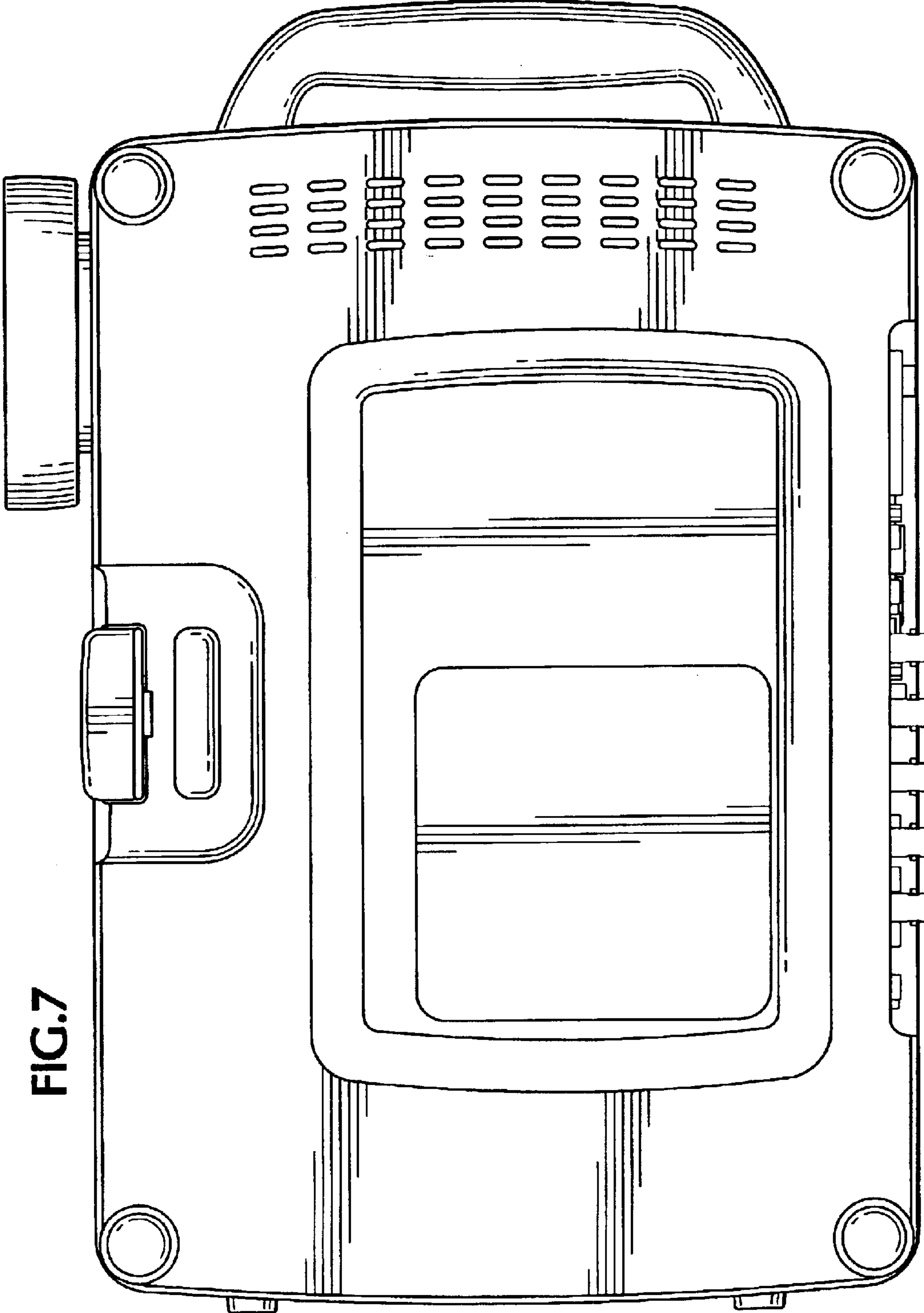


FIG.7