

US00D498488S

(12) **United States Design Patent**  
**Oota et al.**

(10) **Patent No.:** **US D498,488 S**

(45) **Date of Patent:** **\*\* Nov. 16, 2004**

(54) **PROJECTOR**

(75) Inventors: **Yukihiko Oota**, Tokyo (JP); **Kiyotaka Fujita**, Tokyo (JP); **Takayuki Yoshimoto**, Tokyo (JP)

(73) Assignee: **NEC Viewtechnology, Ltd.**, Tokyo (JP)

(\*\*) **Term:** **14 Years**

(21) Appl. No.: **29/187,868**

(22) Filed: **Aug. 11, 2003**

(30) **Foreign Application Priority Data**

Feb. 12, 2003 (JP) ..... 2003-003188

(51) **LOC (7) Cl.** ..... **16-02**

(52) **U.S. Cl.** ..... **D16/225**

(58) **Field of Search** ..... D16/205, 208,  
D16/213, 221, 225, 229, 230, 231, 234;  
D21/514; 353/115, 119, 122

(56) **References Cited**

**U.S. PATENT DOCUMENTS**

D215,969 S \* 11/1969 Anderson ..... D16/229

D289,769 S \* 5/1987 Geissler ..... D16/229  
5,876,105 A \* 3/1999 Rodriguez, Jr. .... 353/119  
6,231,191 B1 \* 5/2001 Shiraishi et al. .... 353/119  
D460,777 S \* 7/2002 Oka ..... D16/230

\* cited by examiner

*Primary Examiner*—Adir Aronovich

(74) *Attorney, Agent, or Firm*—Sughrue Mion, PLLC

(57) **CLAIM**

The ornamental design for a projector, as shown.

**DESCRIPTION**

FIG. 1 is a perspective view of the top, front and right side of a projector showing our new design, FIG. 2 is a front elevational view thereof; FIG. 3 is a rear elevational view thereof; FIG. 4 is a left side elevational view thereof; FIG. 5 is a right side elevational view thereof; FIG. 6 is a top plan view thereof; and, FIG. 7 is a bottom plan view thereof.

**1 Claim, 4 Drawing Sheets**

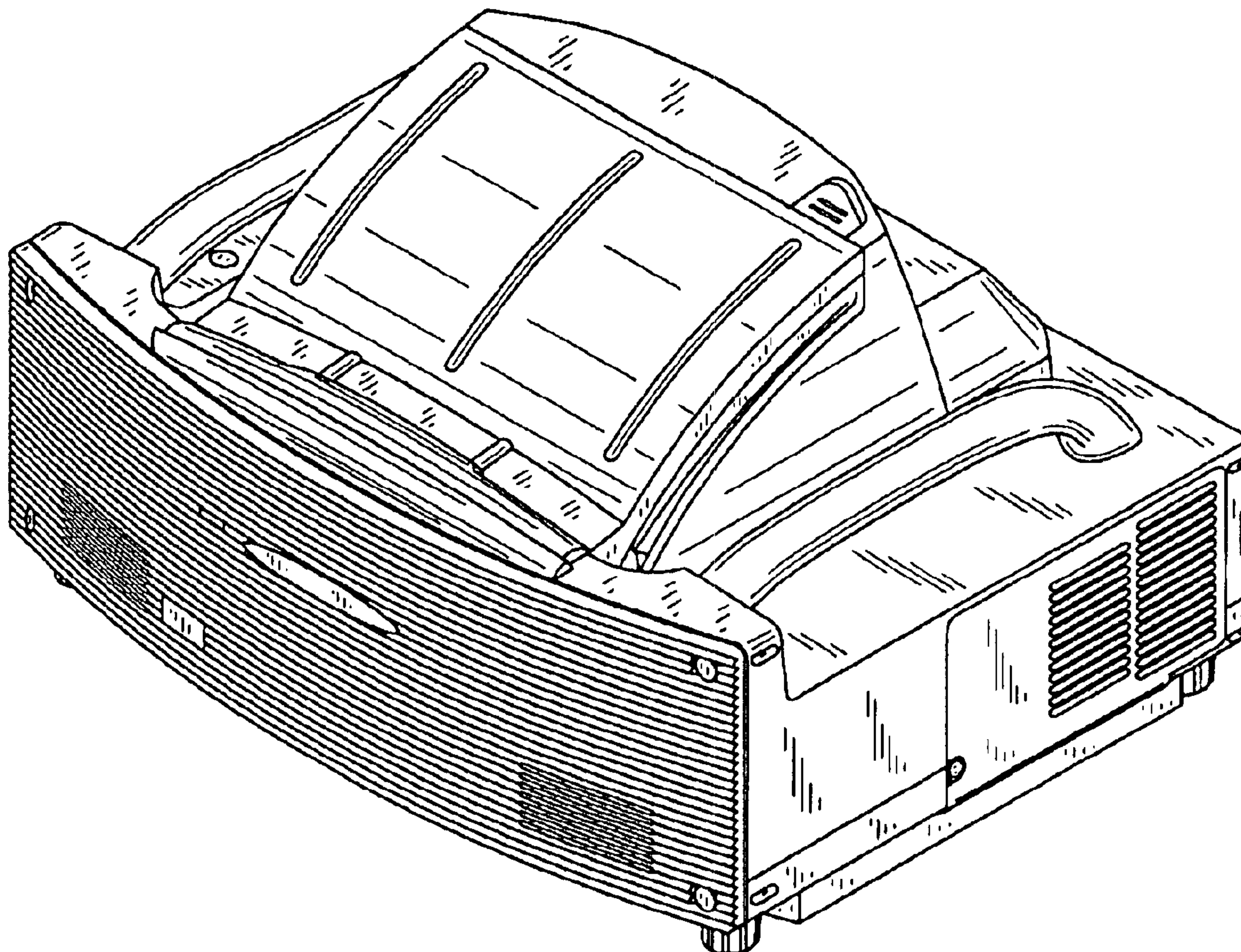


FIG. 1

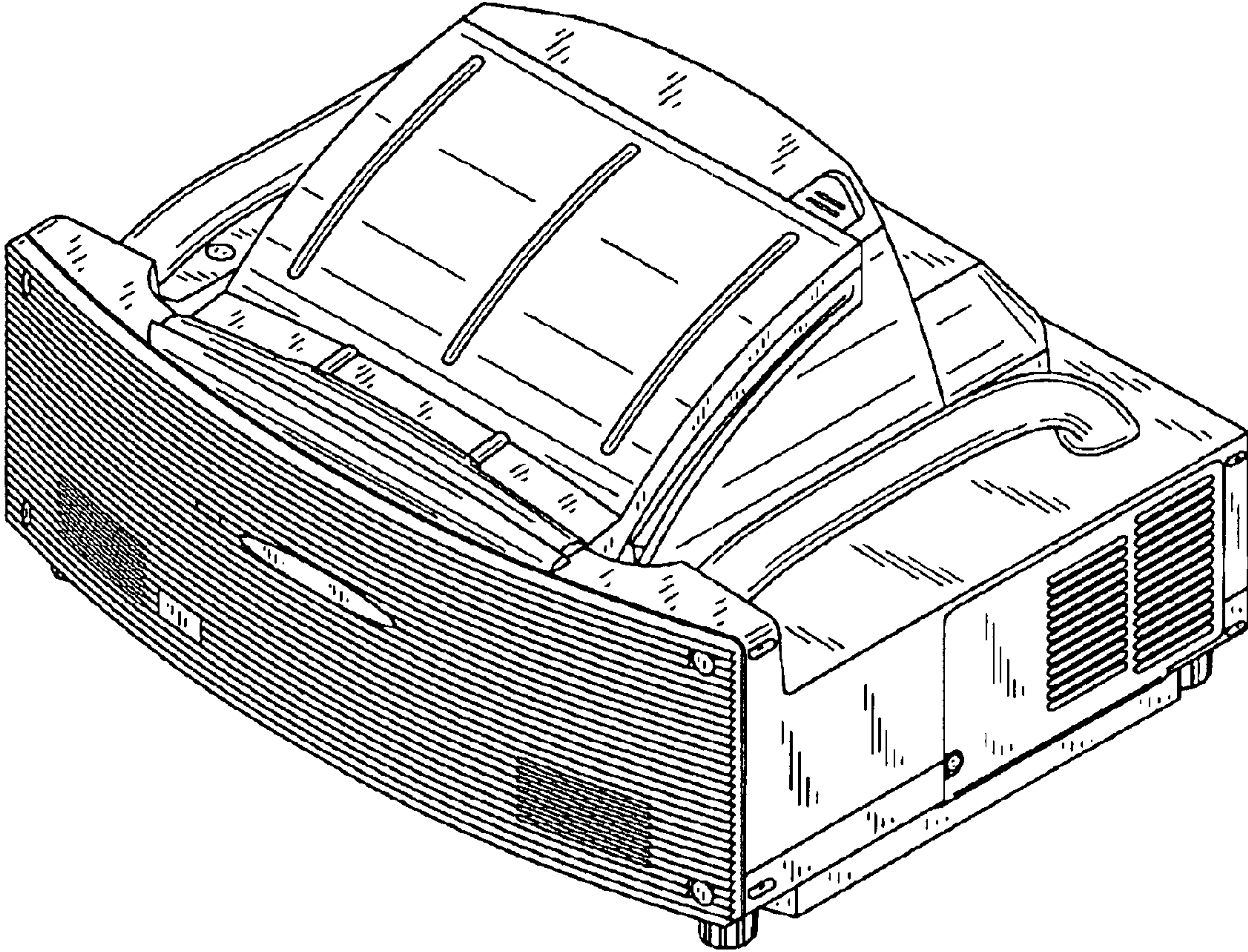




FIG. 2

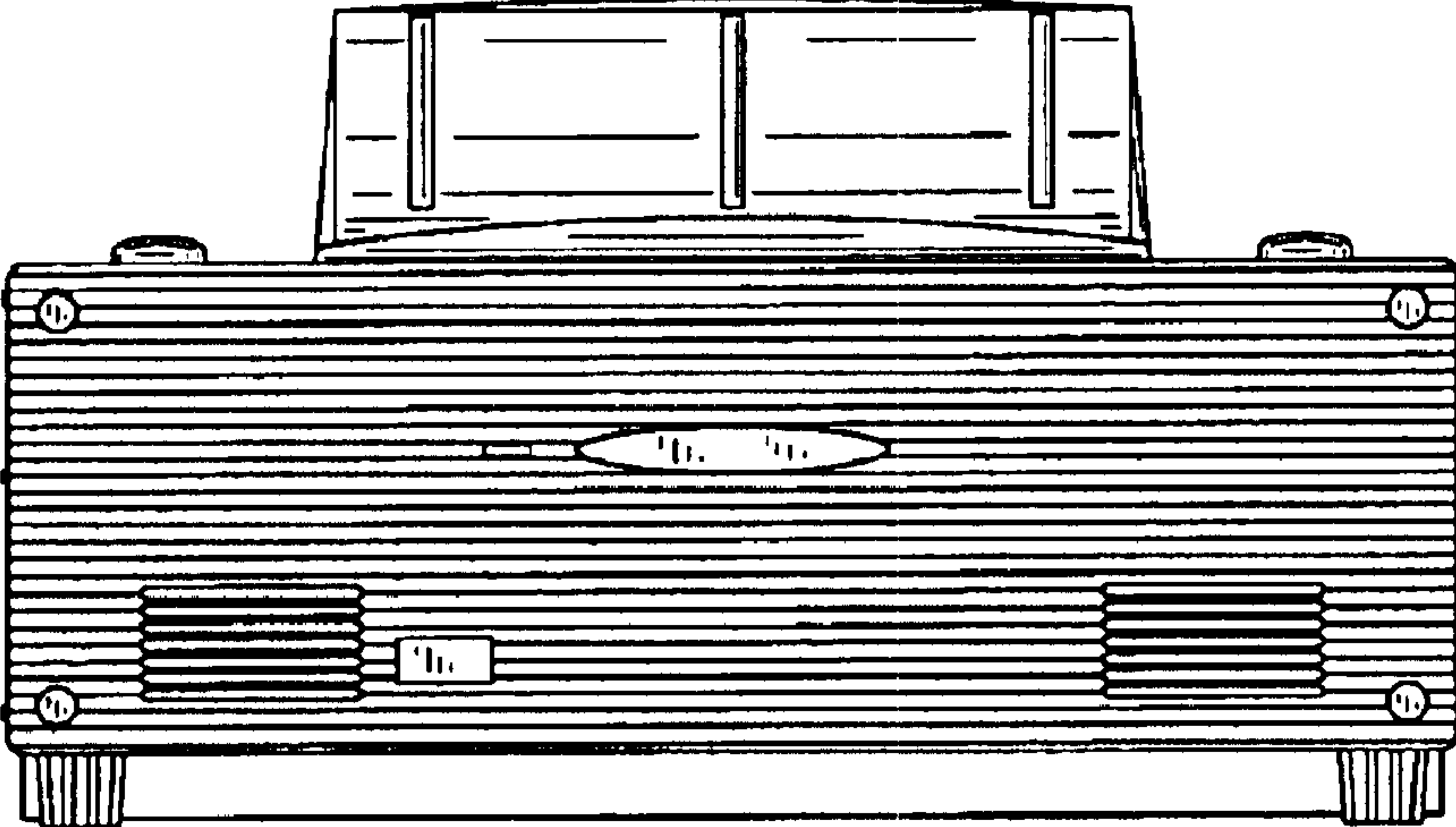
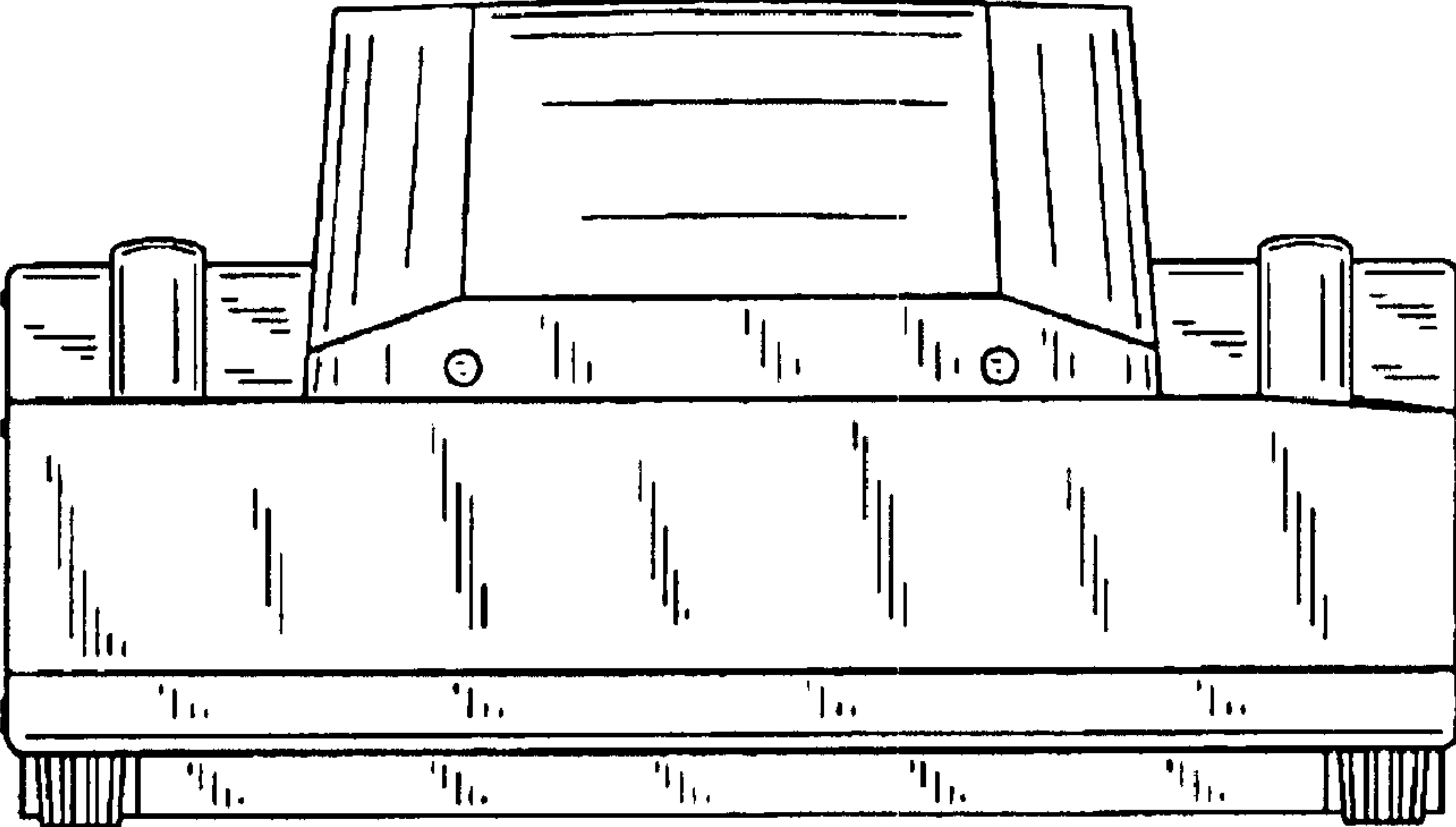
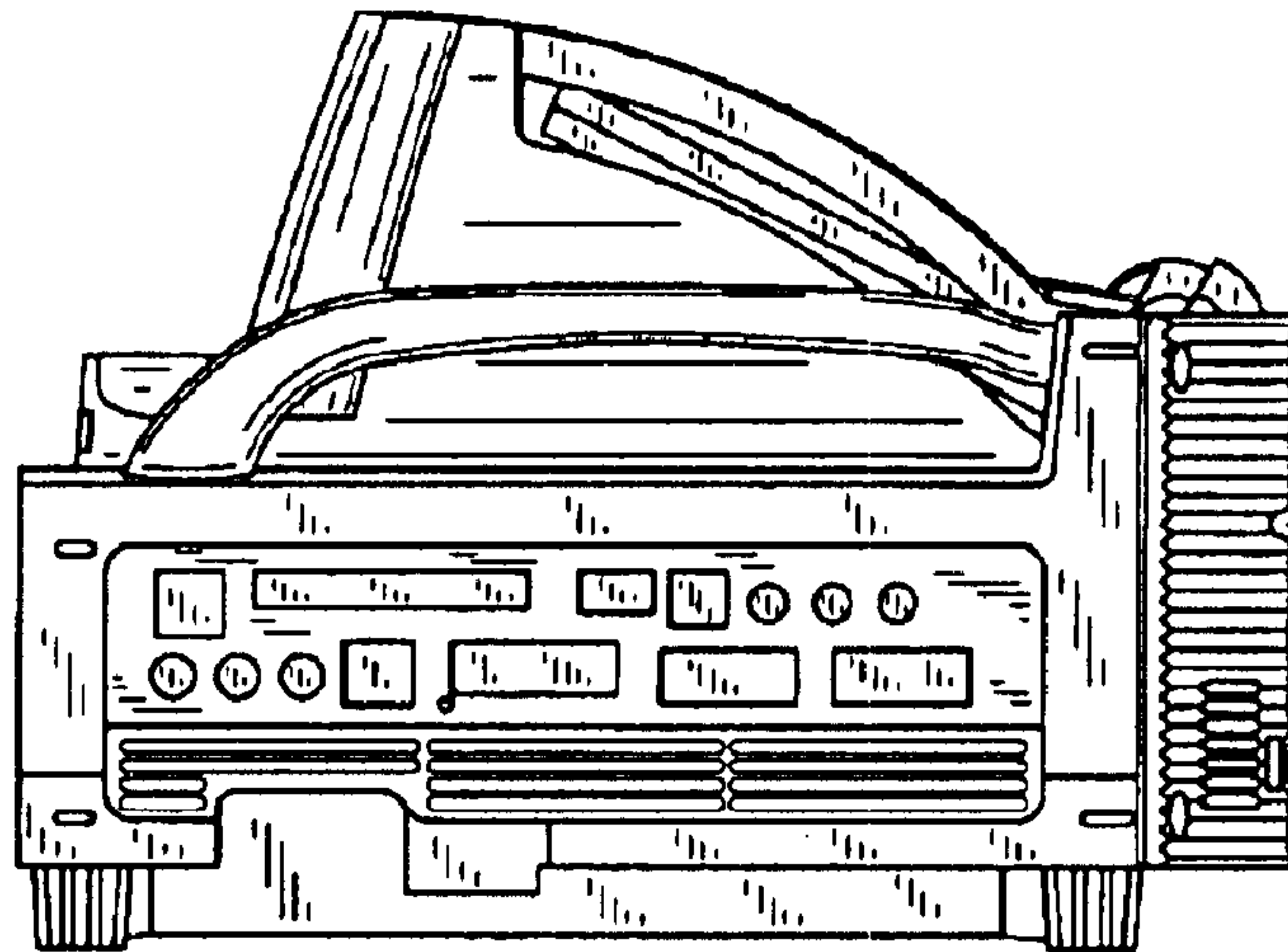


FIG. 3



# FIG. 4



# FIG. 5

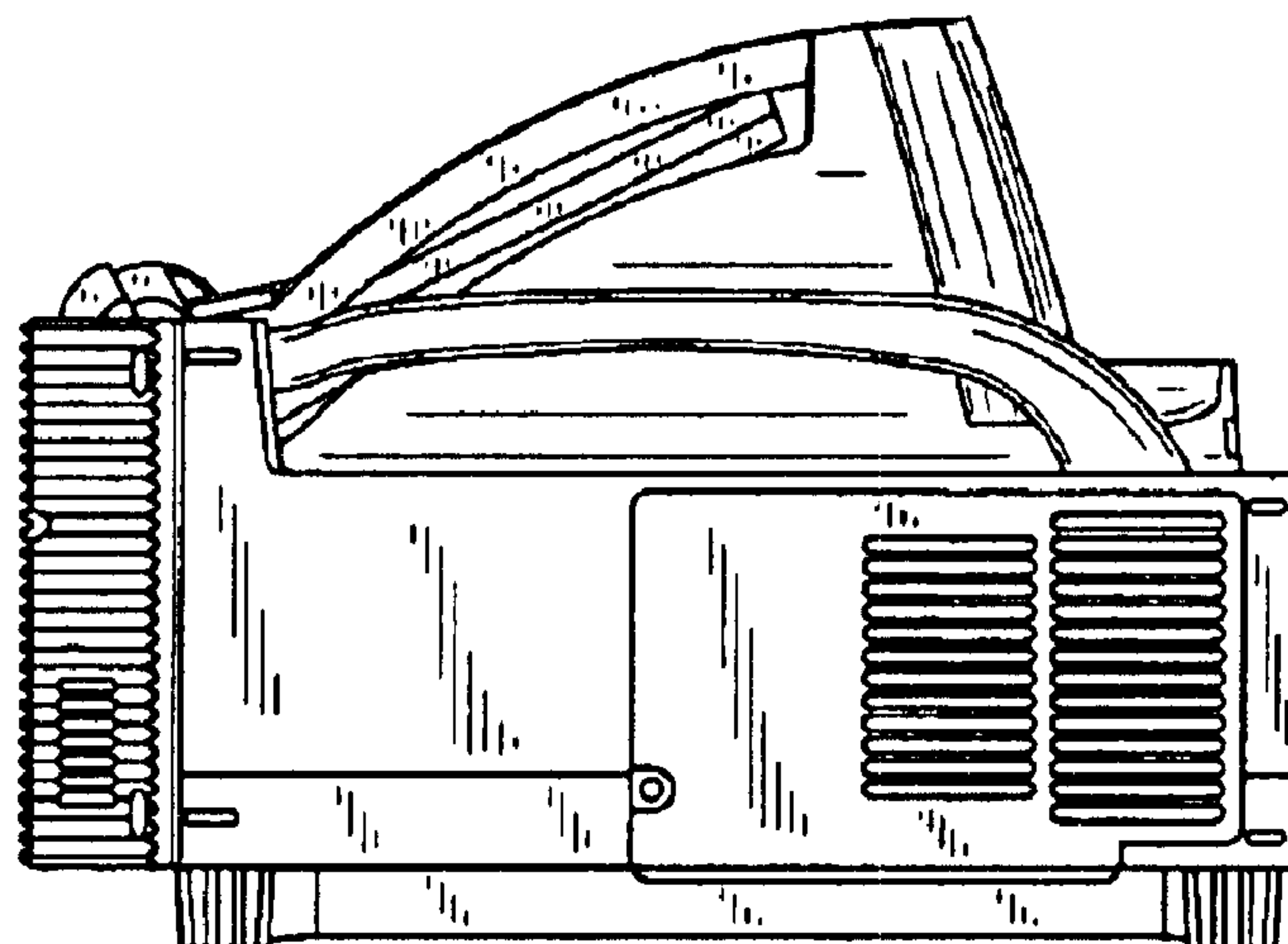


FIG. 6

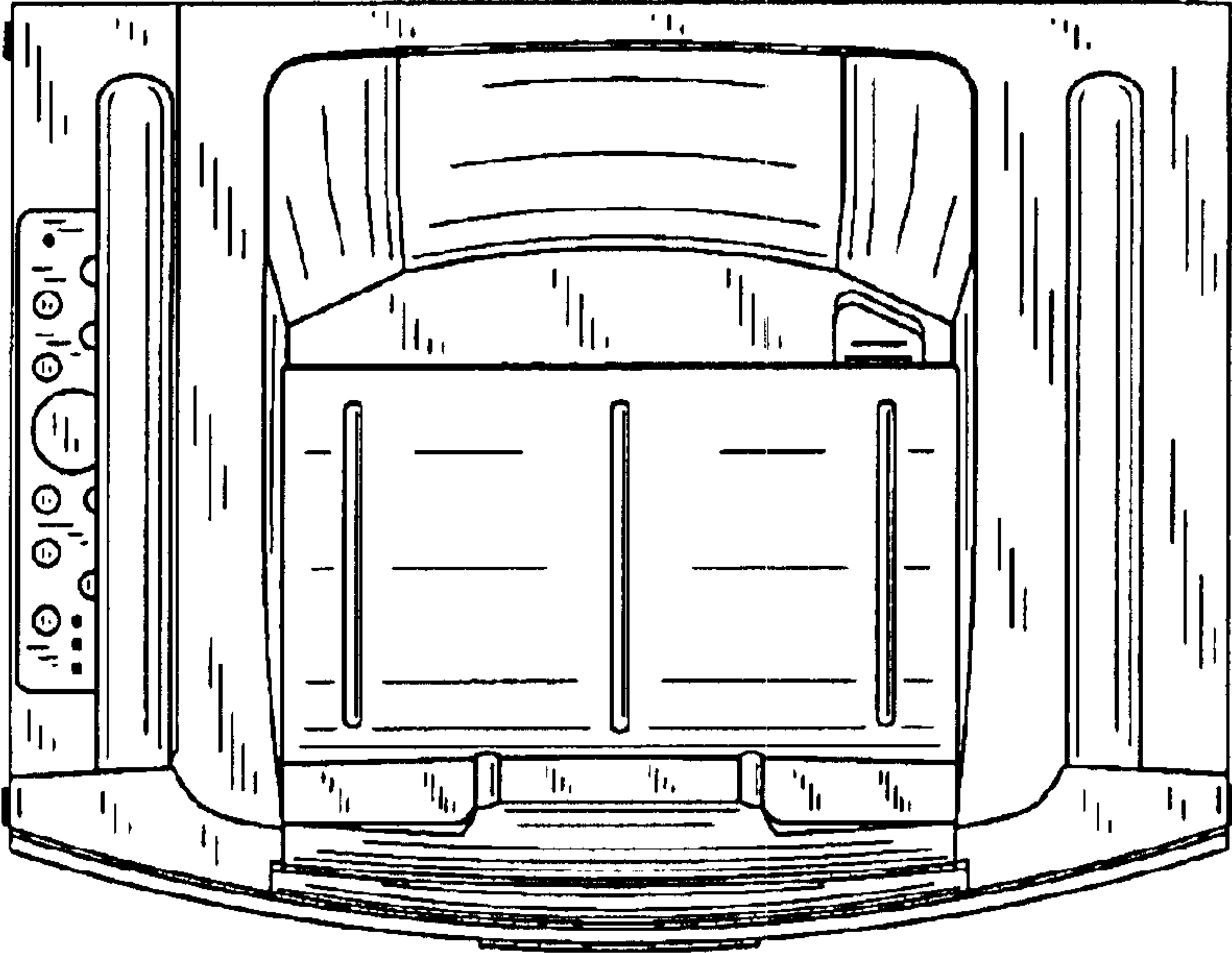


FIG. 7

