



US00D498485S

(12) **United States Design Patent**
Kuwae

(10) **Patent No.:** **US D498,485 S**

(45) **Date of Patent:** **** Nov. 16, 2004**

(54) **FRONT PORTION OF AN AGRICULTURAL TRACTOR**

D447,753 S * 9/2001 Goebert et al. D15/31
D456,822 S * 5/2002 Westimayer et al. D15/31

(75) Inventor: **Junta Kuwae, Sakai (JP)**

* cited by examiner

(73) Assignee: **Kubota Corporation, Osaka (JP)**

Primary Examiner—Mitchell Siegel

(**) Term: **14 Years**

(74) *Attorney, Agent, or Firm*—Webb Ziesenheim Logsdon Orkin & Hanson P.C.

(21) Appl. No.: **29/188,091**

(57) **CLAIM**

(22) Filed: **Aug. 12, 2003**

The ornamental design for the front portion of an agricultural tractor, as shown and described.

(30) **Foreign Application Priority Data**

Feb. 13, 2003 (JP) 2003-003302

DESCRIPTION

(51) **LOC (7) Cl.** **15-03**

FIG. 1 is a front elevational of the front portion of an agricultural tractor in accordance with the present invention; FIG. 2 is a left side view thereof; FIG. 3 is a right side view thereof; FIG. 4 is a top plan view thereof; FIG. 5 is a perspective view thereof; FIG. 6 is an enlarged left perspective view taken on line 6—6 of FIG. 2; FIG. 7 is an enlarged right perspective view taken on line 7—7 of FIG. 3; and, FIG. 8 is an enlarged front elevational view. The broken line showing is for illustrative purposes only and forms no part of the claimed design.

(52) **U.S. Cl.** **D15/31**

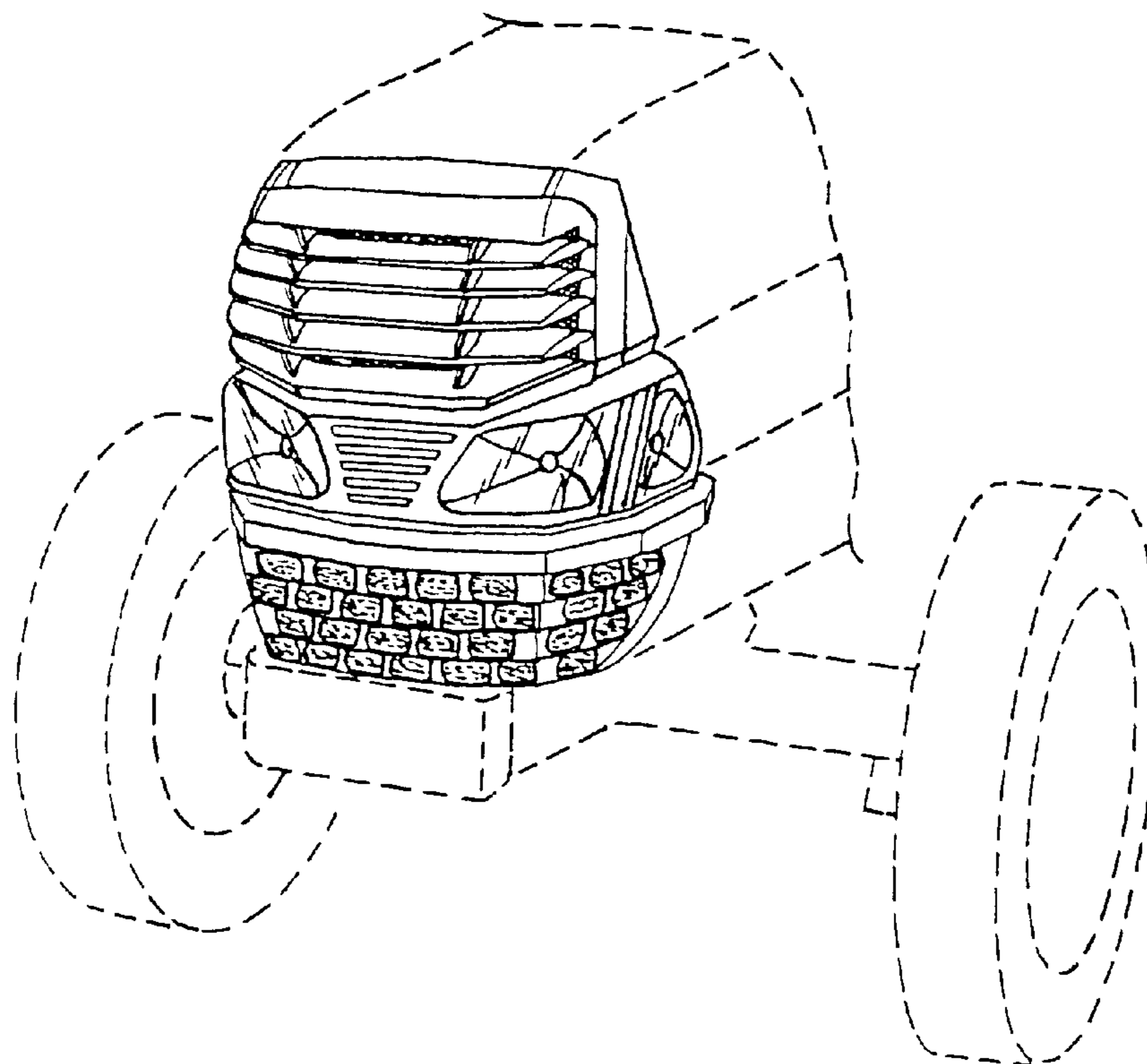
(58) **Field of Search** D15/10, 11, 22–26, D15/28, 31; 56/13.3, 13.4, 15.8, 15.9, 16.1, 16.7, 202, 255, 254, 320.1; 180/89.1, 89.12, 900

(56) **References Cited**

U.S. PATENT DOCUMENTS

D227,094 S * 6/1973 Skyer et al. D15/31
5,490,574 A * 2/1996 Ishiizumi et al. 180/68.1
D382,279 S * 8/1997 Goebert et al. D15/31
D411,210 S * 6/1999 Goebert et al. D15/31

1 Claim, 5 Drawing Sheets



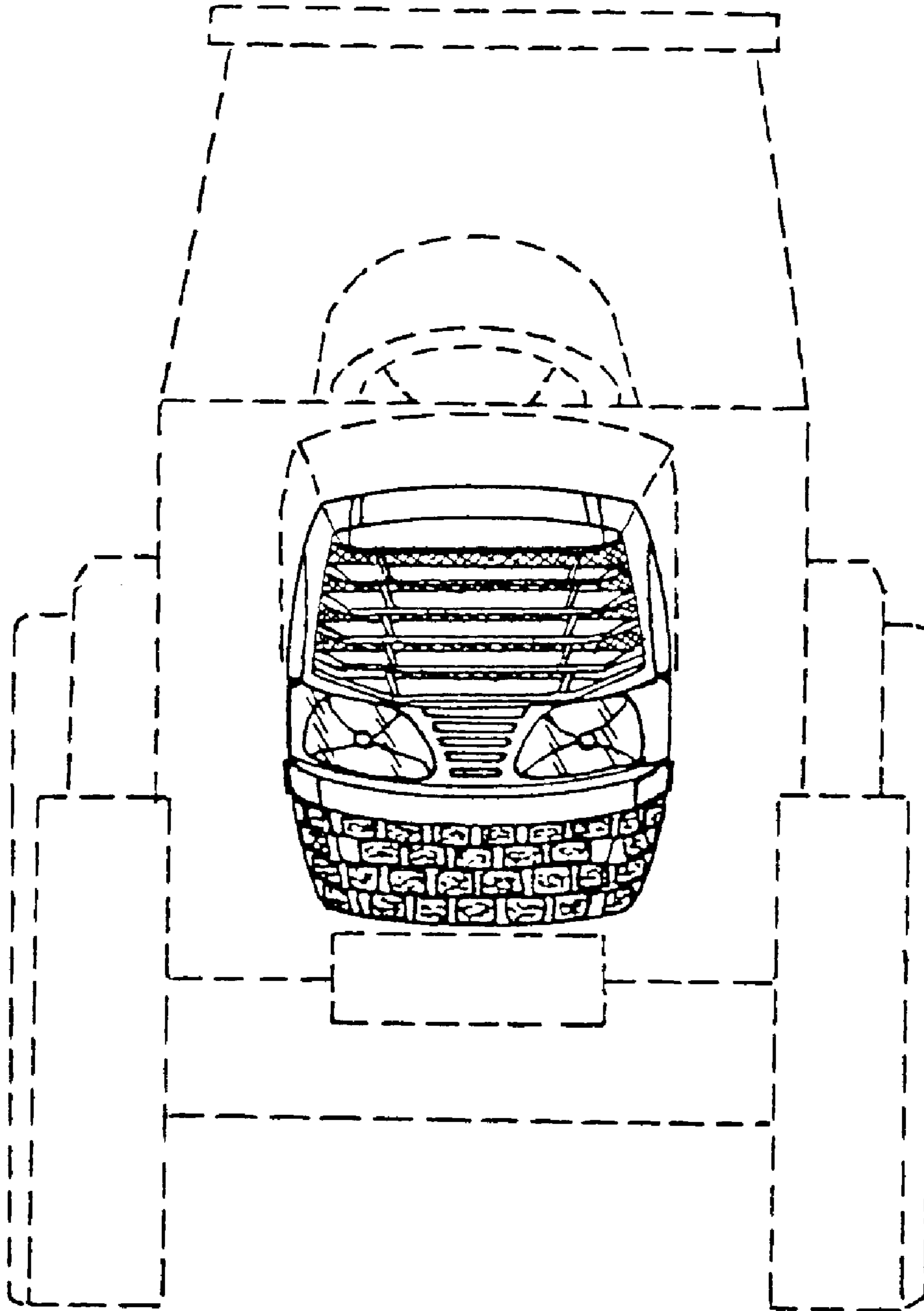


FIG. 1

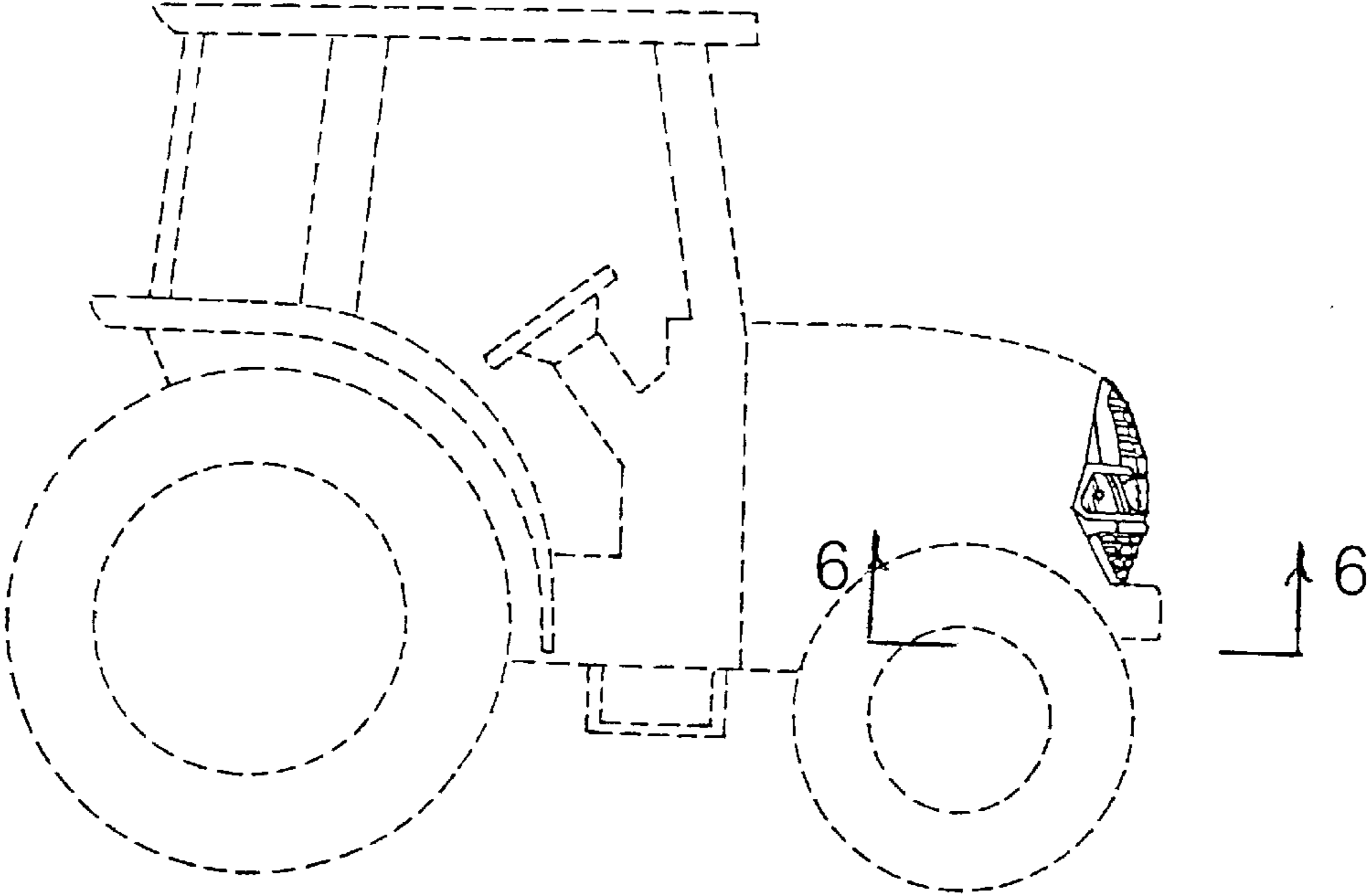


FIG. 2

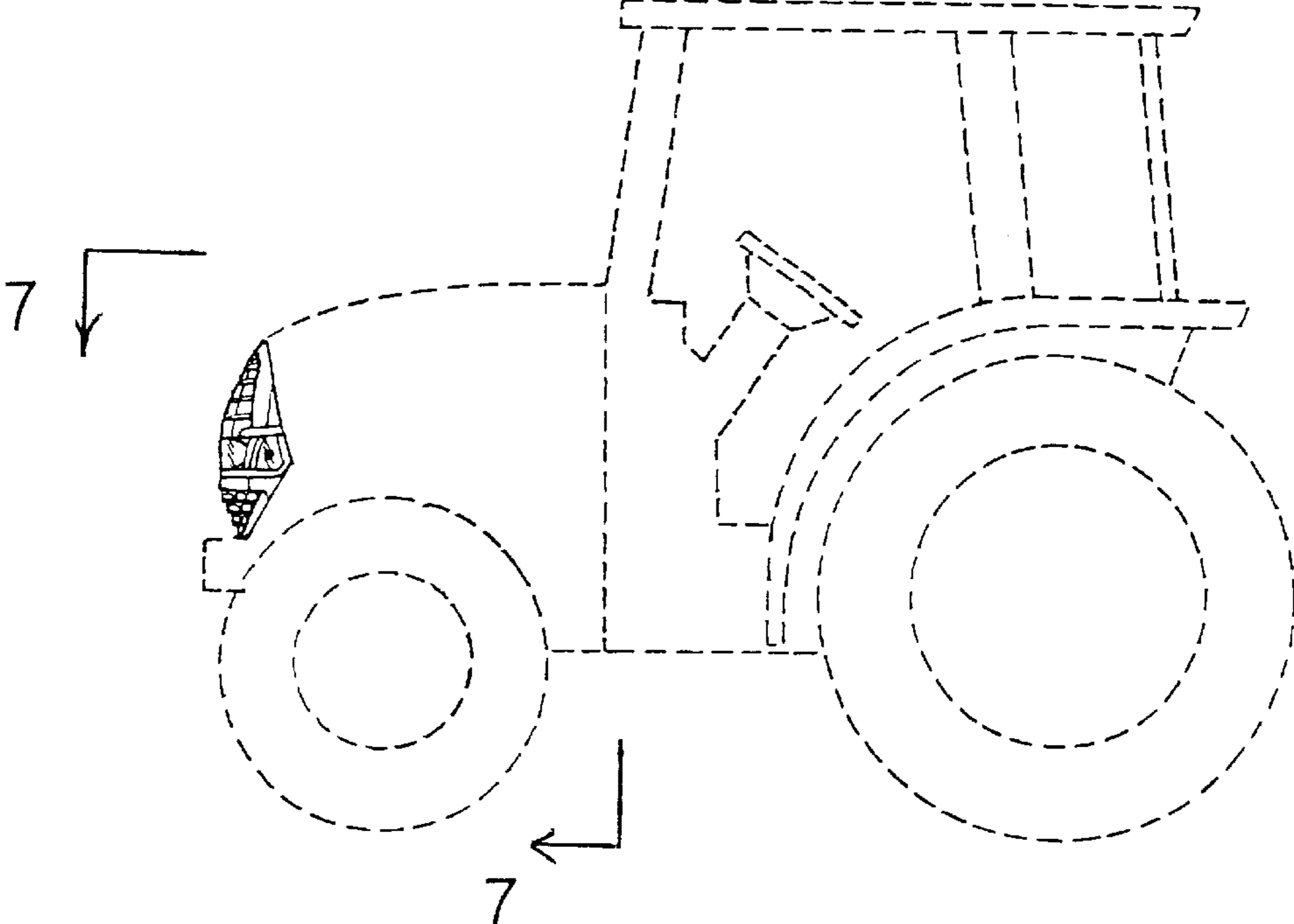


FIG. 3

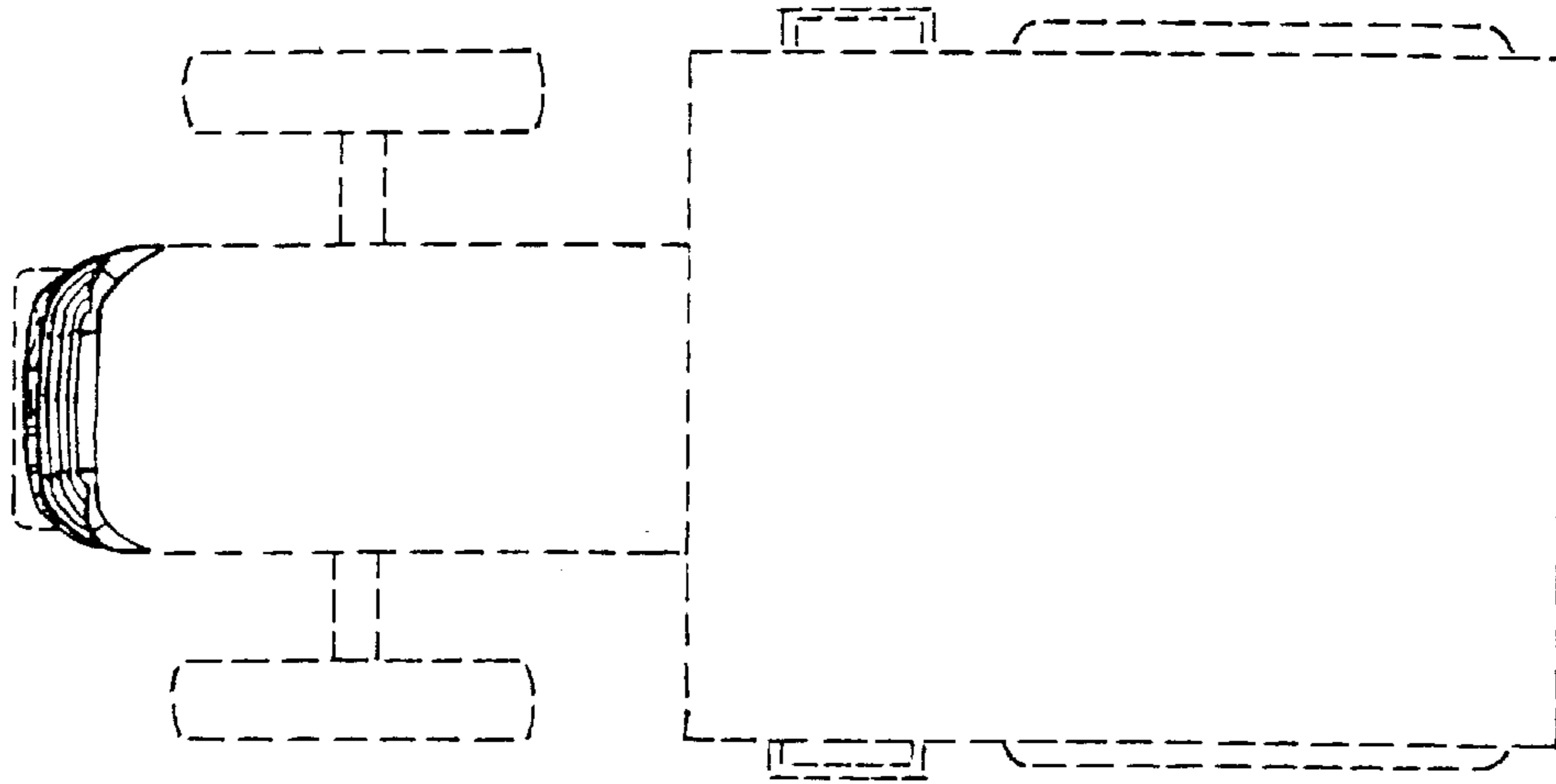


FIG. 4

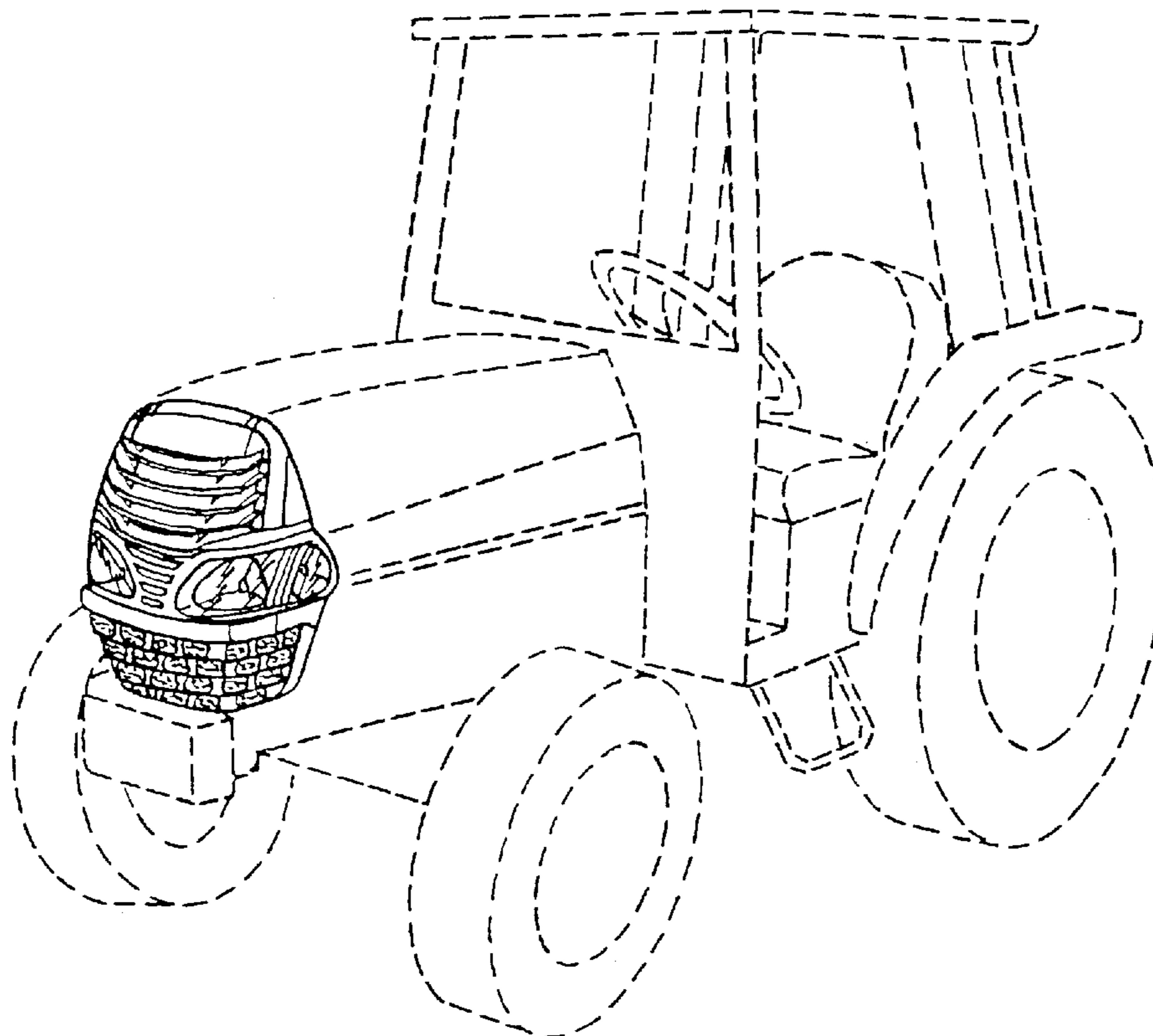


FIG. 5

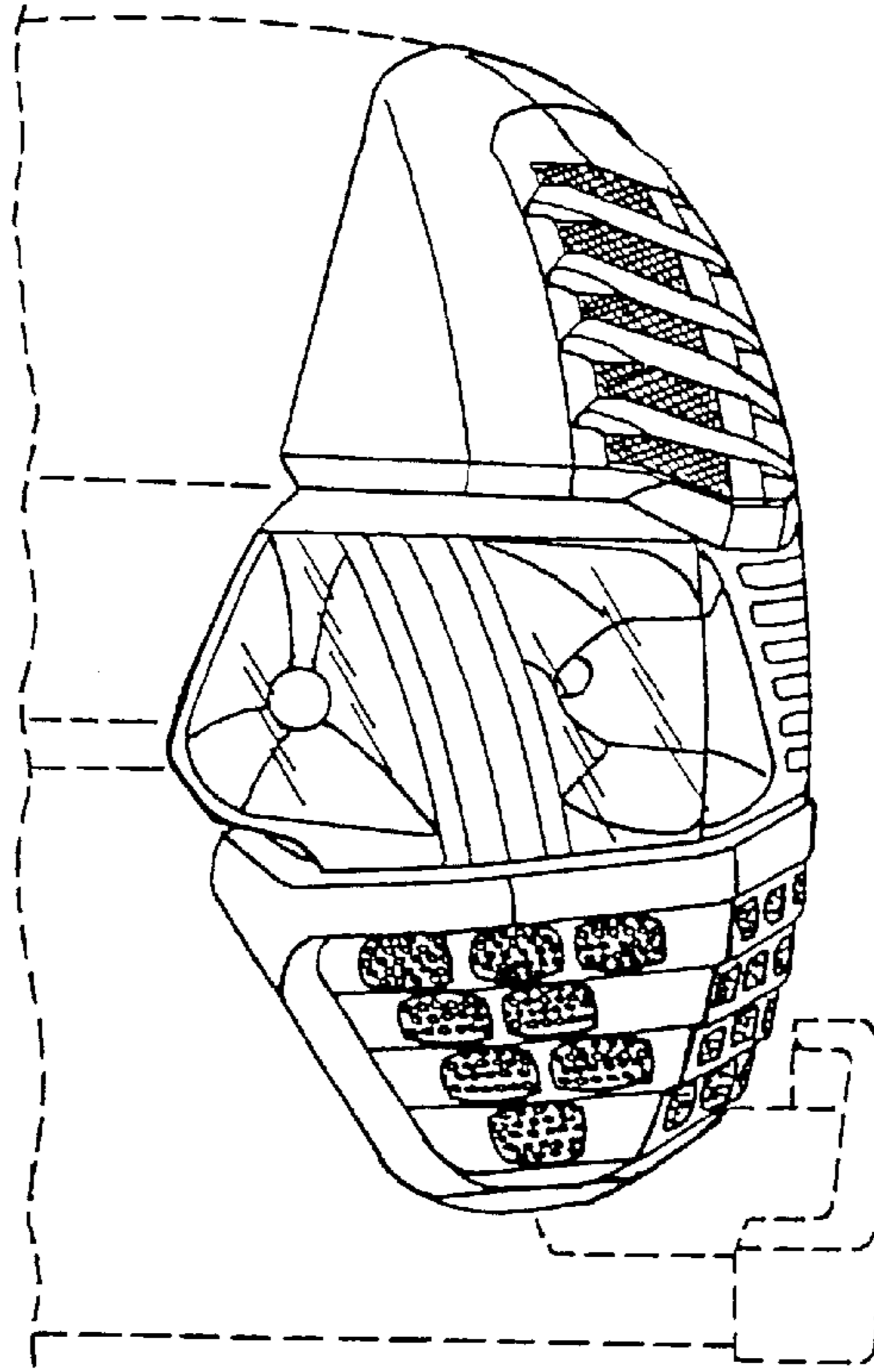


FIG. 6

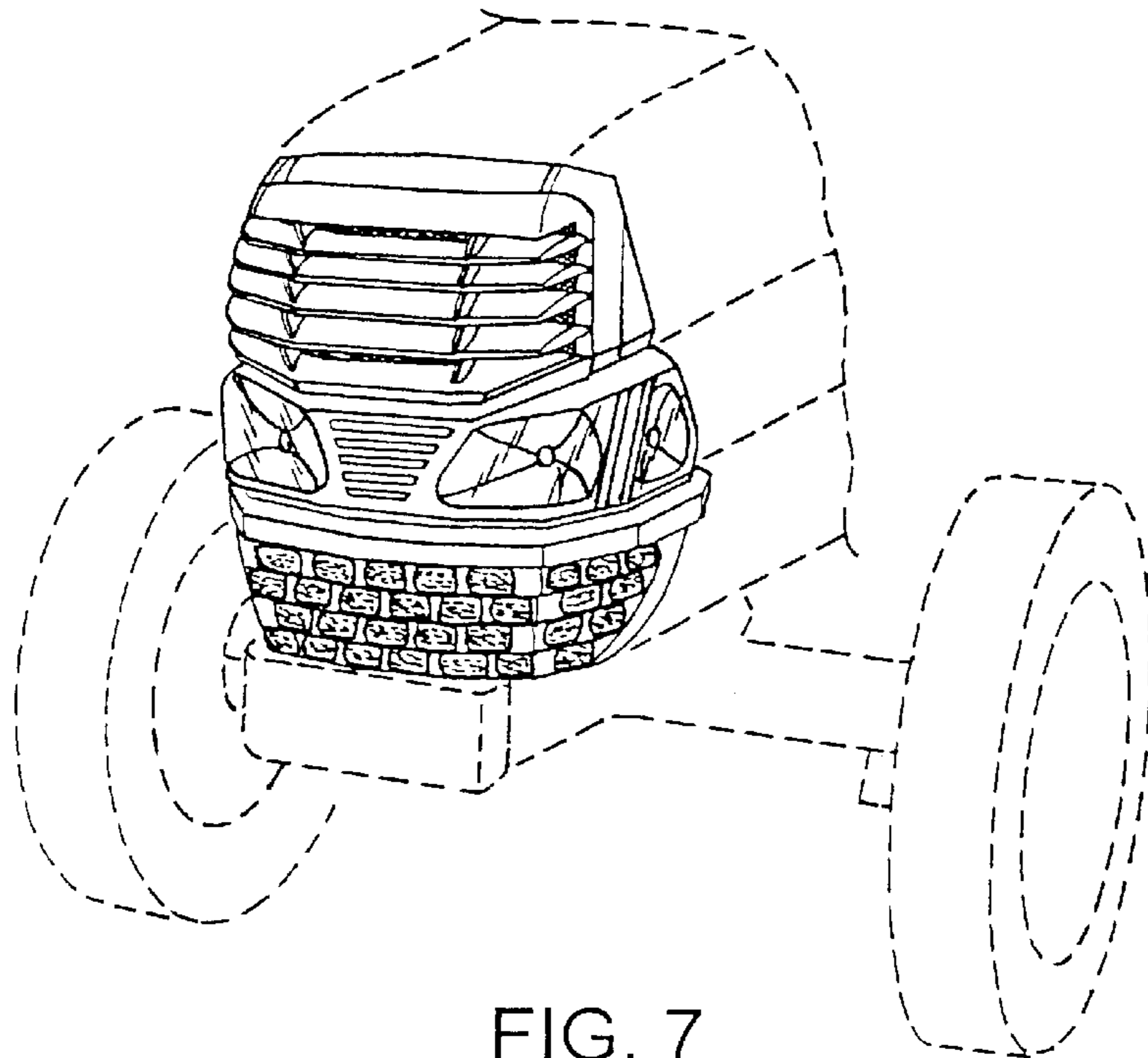


FIG. 7

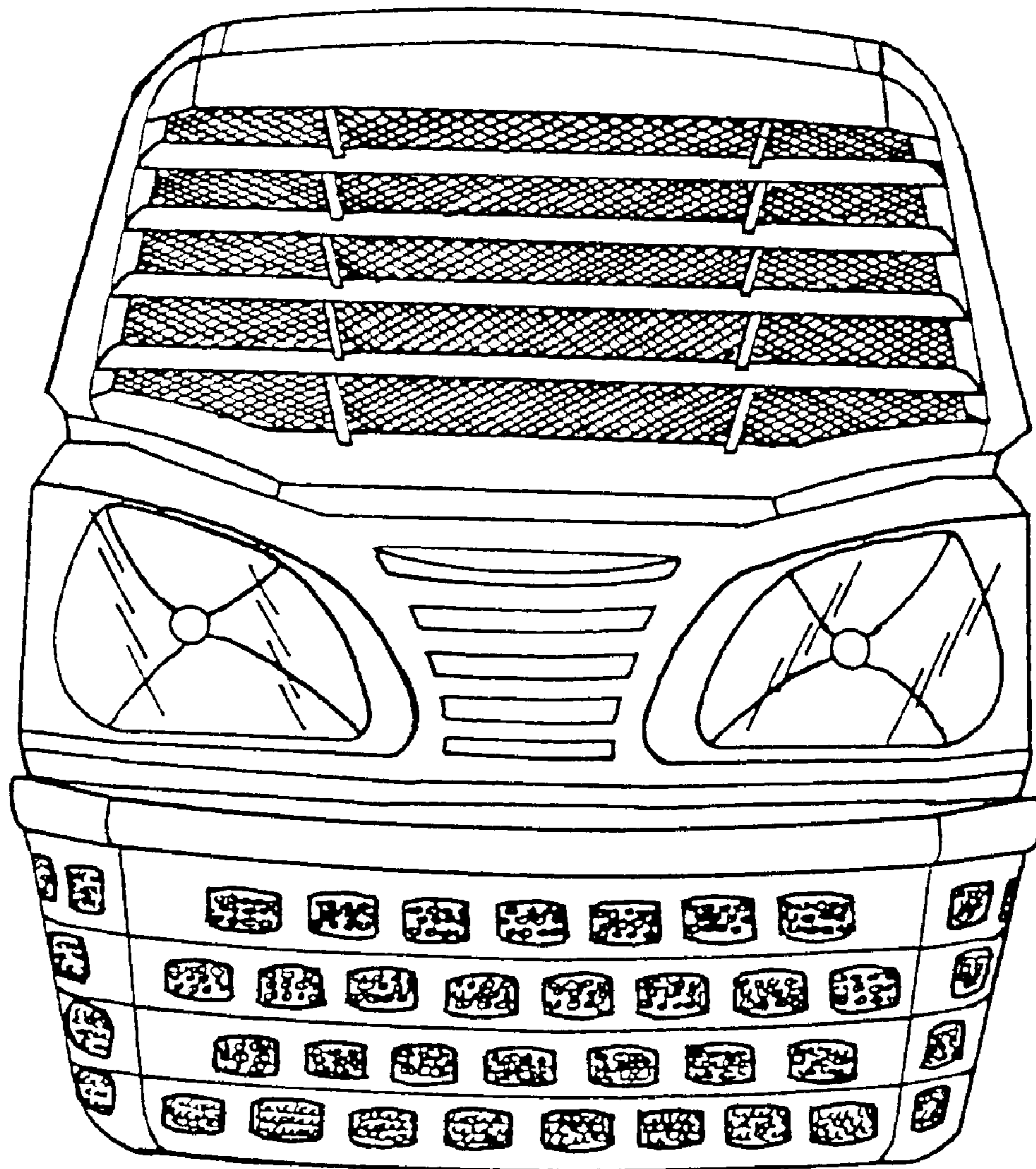


FIG. 8