

US00D498484S

(12) **United States Design Patent** (10) **Patent No.:** **US D498,484 S**
Anderson (45) **Date of Patent:** **** Nov. 16, 2004**

(54) **ROLLER ASSEMBLY FOR LAWNMOWER**

(76) Inventor: **Steven E. Anderson**, 941 Grier Rd.,
Wider, GA (US) 30680

(**) Term: **14 Years**

(21) Appl. No.: **29/198,175**

(22) Filed: **Jan. 26, 2004**

Related U.S. Application Data

(63) Continuation-in-part of application No. 29/176,788, filed on
Feb. 27, 2003, now Pat. No. Des. 485,850.

(51) **LOC (7) Cl.** **15-03**

(52) **U.S. Cl.** **D15/17**

(58) **Field of Search** D15/14, 17, 28;
404/117, 128; 56/17.4, 2, 249.5, 14.7, 16.7,
16.9, 6, 7, 255, 295

(56) **References Cited**

U.S. PATENT DOCUMENTS

261,638	A	*	7/1882	Stanly	404/128
3,555,793	A	*	1/1971	Chapman	56/17.4
4,638,622	A	*	1/1987	Smith	56/17.4
5,261,213	A	*	11/1993	Humphrey	56/2
D395,900	S	*	7/1998	Shannon et al.	D15/28
5,870,888	A	*	2/1999	Pugh	56/16.7
6,523,335	B2	*	2/2003	Vanderipe	56/16.7
D485,850	S	*	1/2004	Anderson	D15/17

* cited by examiner

Primary Examiner—Mitchell Siegel
(74) Attorney, Agent, or Firm—Harry I. Leon

(57) **CLAIM**

The ornamental design for a roller assembly for lawnmower,
as shown and described.

DESCRIPTION

FIG. 1 is a top, right side perspective view of the roller assembly for lawnmower to which it is attached, the broken line disclosure of the lawnmower is being shown for illustrative purposes only and forming no part of the claimed design;

FIG. 2 is a top, right side of a the roller assembly for lawnmower shown in FIG. 1, before its front casters have been removed and the roller assembly attached;

FIG. 3 is a front view of the roller assembly for lawnmower according to FIG. 1 and the lawn mower to which the roller assembly is attached;

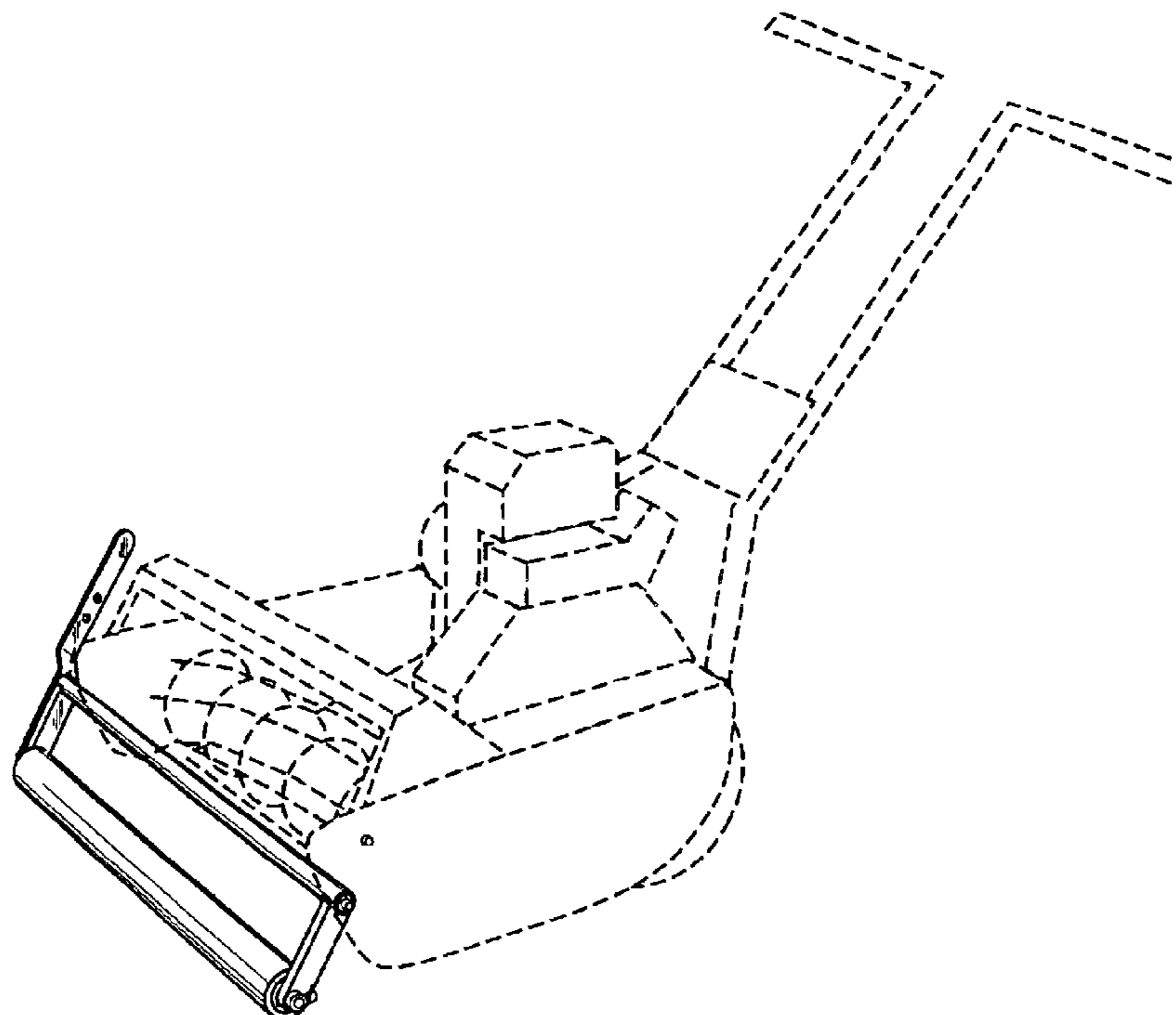
FIG. 4 is a top right side perspective view of the roller assembly for lawnmower according to FIG. 1, with a break-out section to show the structure of the roller;

FIG. 5 a top plan view of the roller assembly for lawnmower according to FIG. 1;

FIG. 6 is a left side elevational view of the roller assembly for lawnmower according to FIG. 1; and,

FIG. 7 is a right side elevational view of the roller assembly for lawnmower according to FIG. 1.

1 Claim, 3 Drawing Sheets



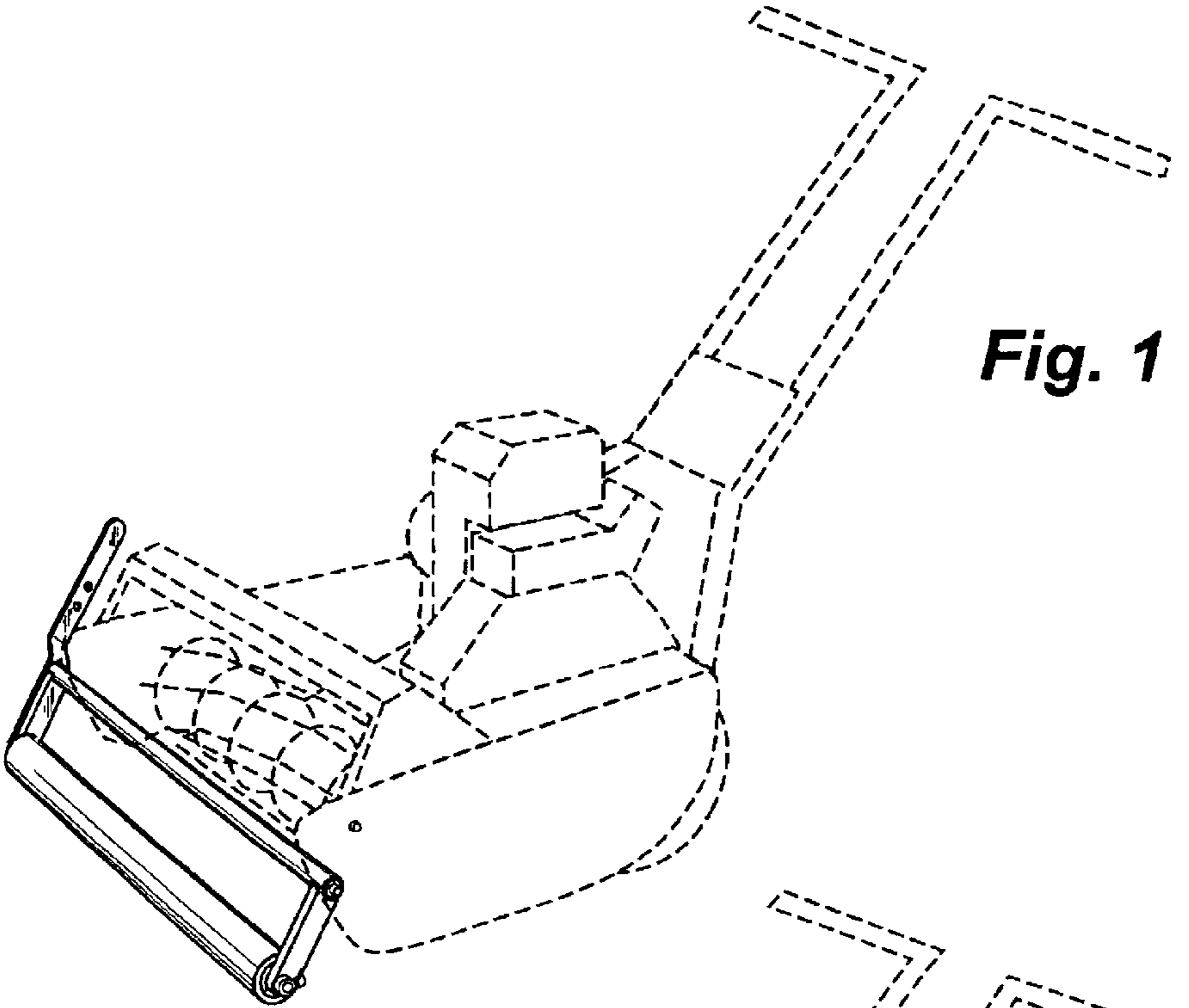


Fig. 1

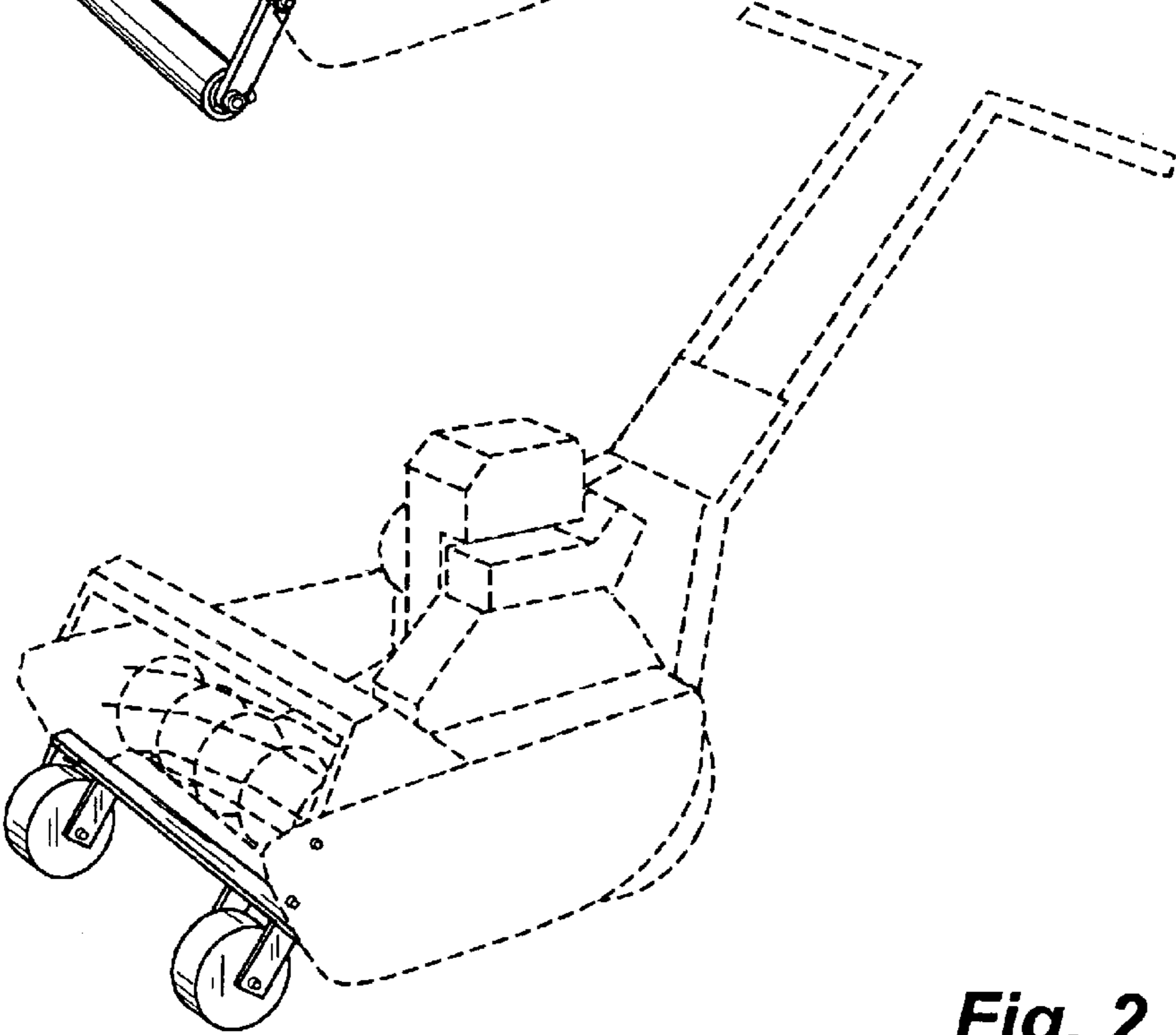


Fig. 2

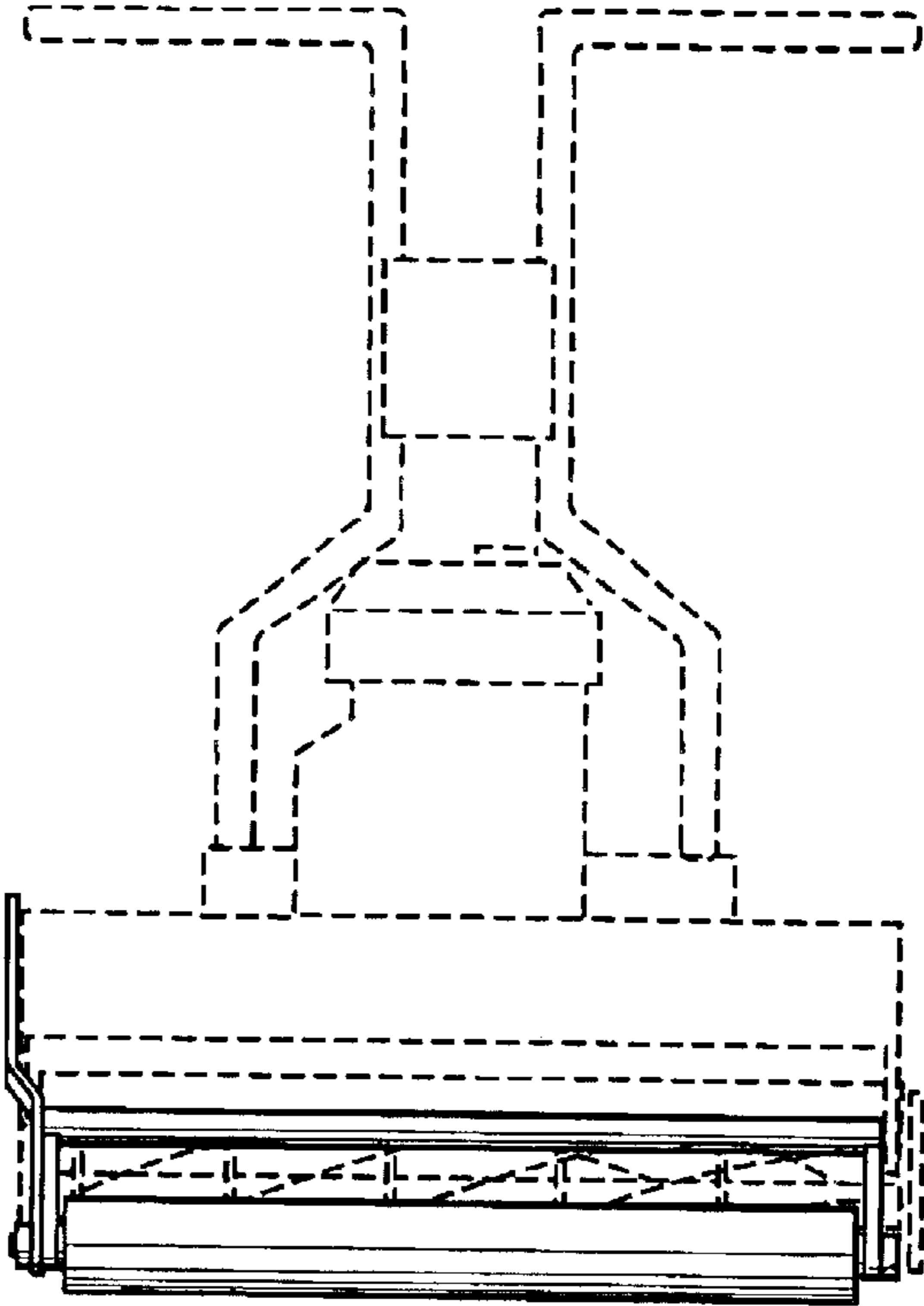


Fig. 3

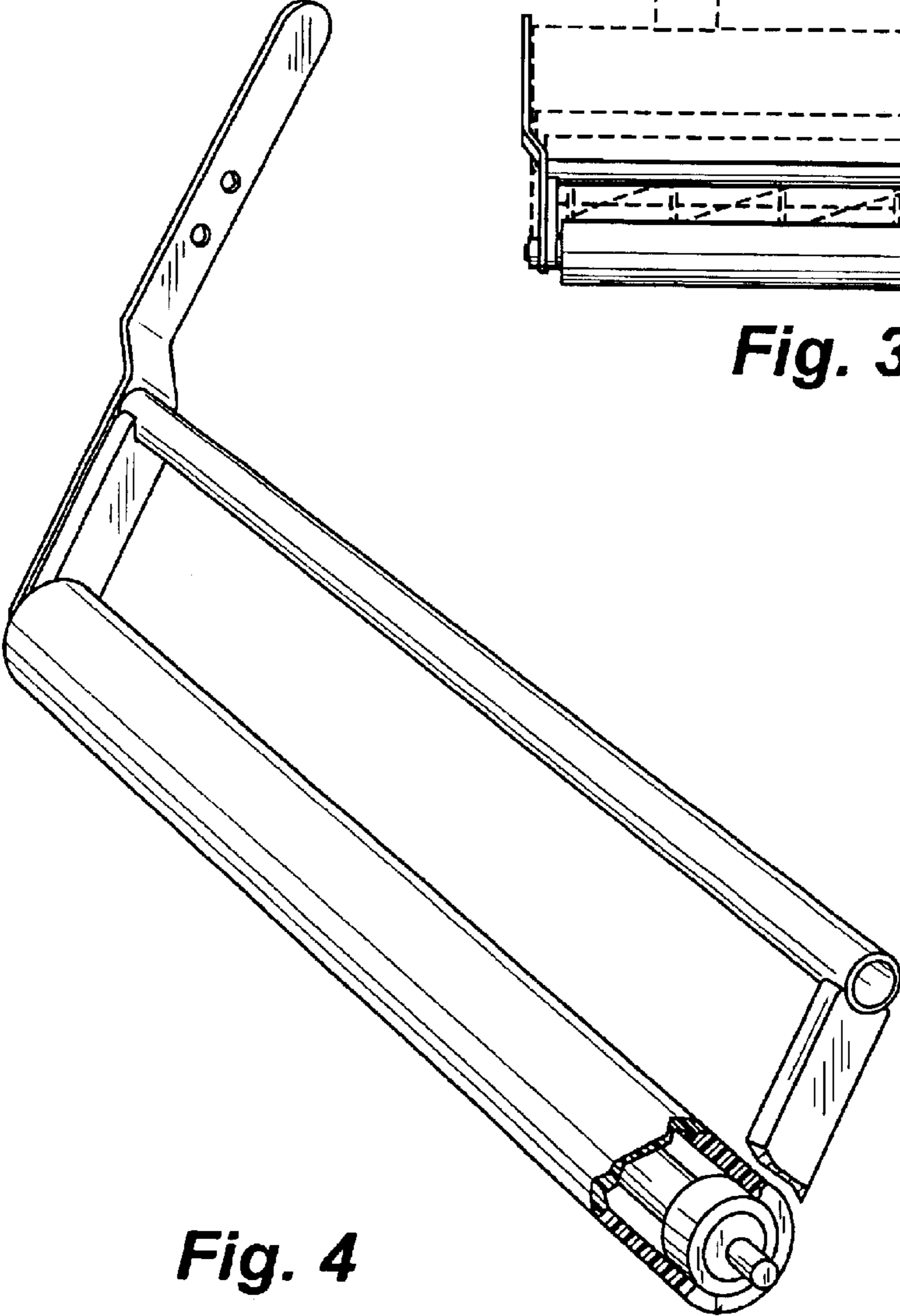


Fig. 4

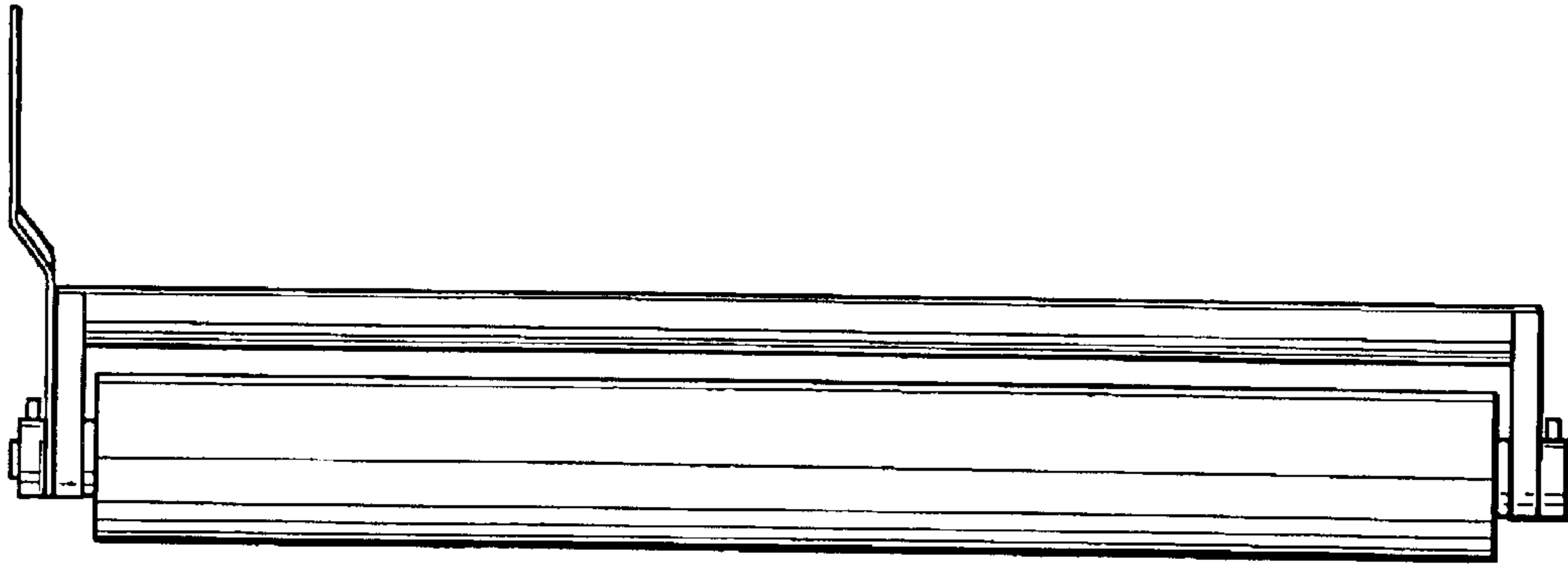


Fig. 5

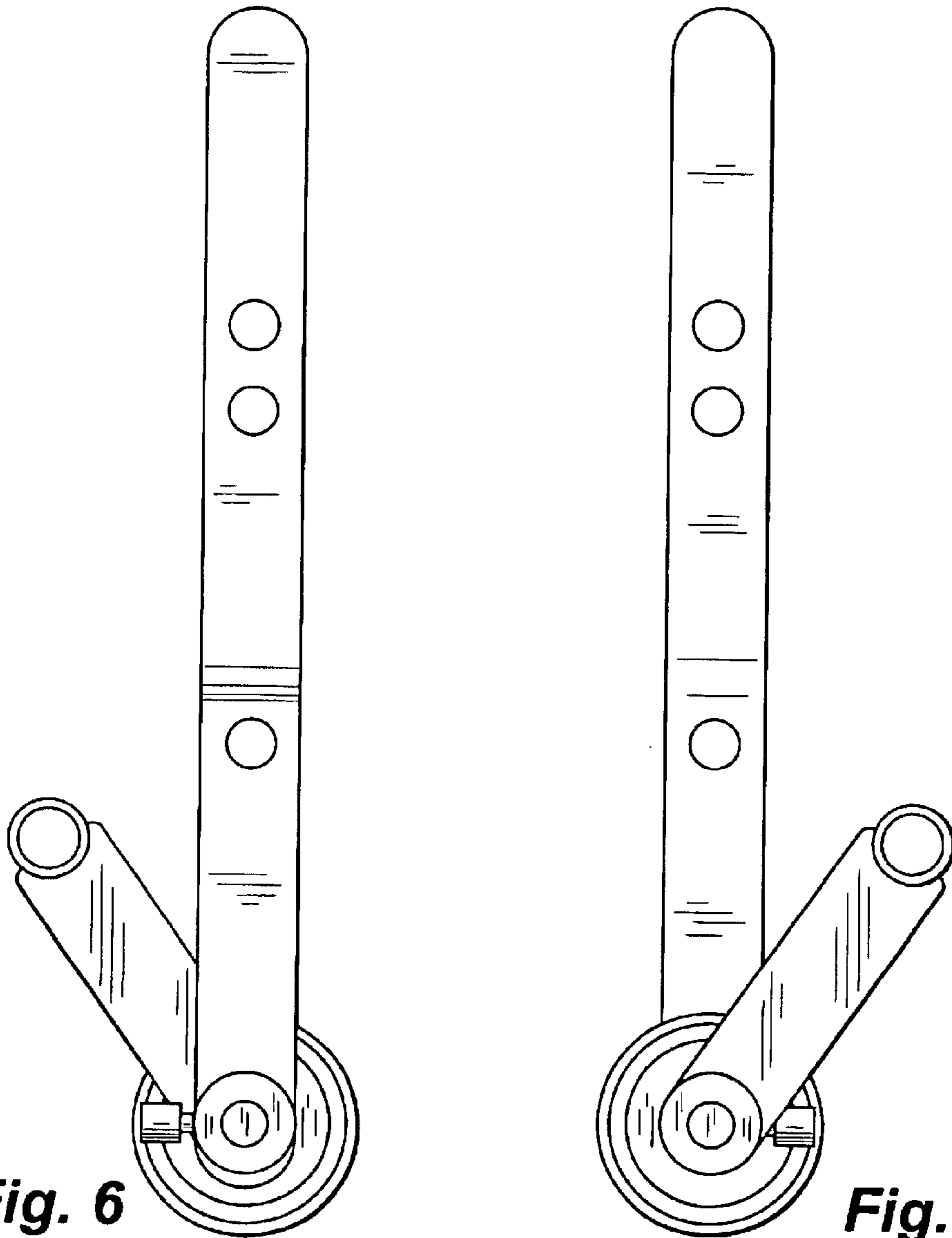


Fig. 6

Fig. 7