

US00D498483S

(12) **United States Design Patent**
Chen

(10) **Patent No.:** **US D498,483 S**

(45) **Date of Patent:** **** Nov. 16, 2004**

(54) **AIR COMPRESSOR**

(75) **Inventor:** **Kwang-Tsan Chen, Taipei (TW)**

(73) **Assignee:** **Ding Hwa Co., Ltd. (TW)**

(**) **Term:** **14 Years**

(21) **Appl. No.:** **29/192,525**

(22) **Filed:** **Oct. 24, 2003**

(51) **LOC (7) Cl.** **15-02**

(52) **U.S. Cl.** **D15/9**

(58) **Field of Search** D15/7-9; 417/321,
417/410, 413.1, 415, 423.3, 486, 521, 534;
415/148

(56) **References Cited**

U.S. PATENT DOCUMENTS

- D289,523 S * 4/1987 Fussell D15/9
- D303,533 S * 9/1989 Eberhardt et al. D15/7
- D328,305 S * 7/1992 Wong D15/9

- D352,947 S * 11/1994 Colin et al. D15/7
- D429,736 S * 8/2000 Flynn D15/7

* cited by examiner

Primary Examiner—Ralf Seifert

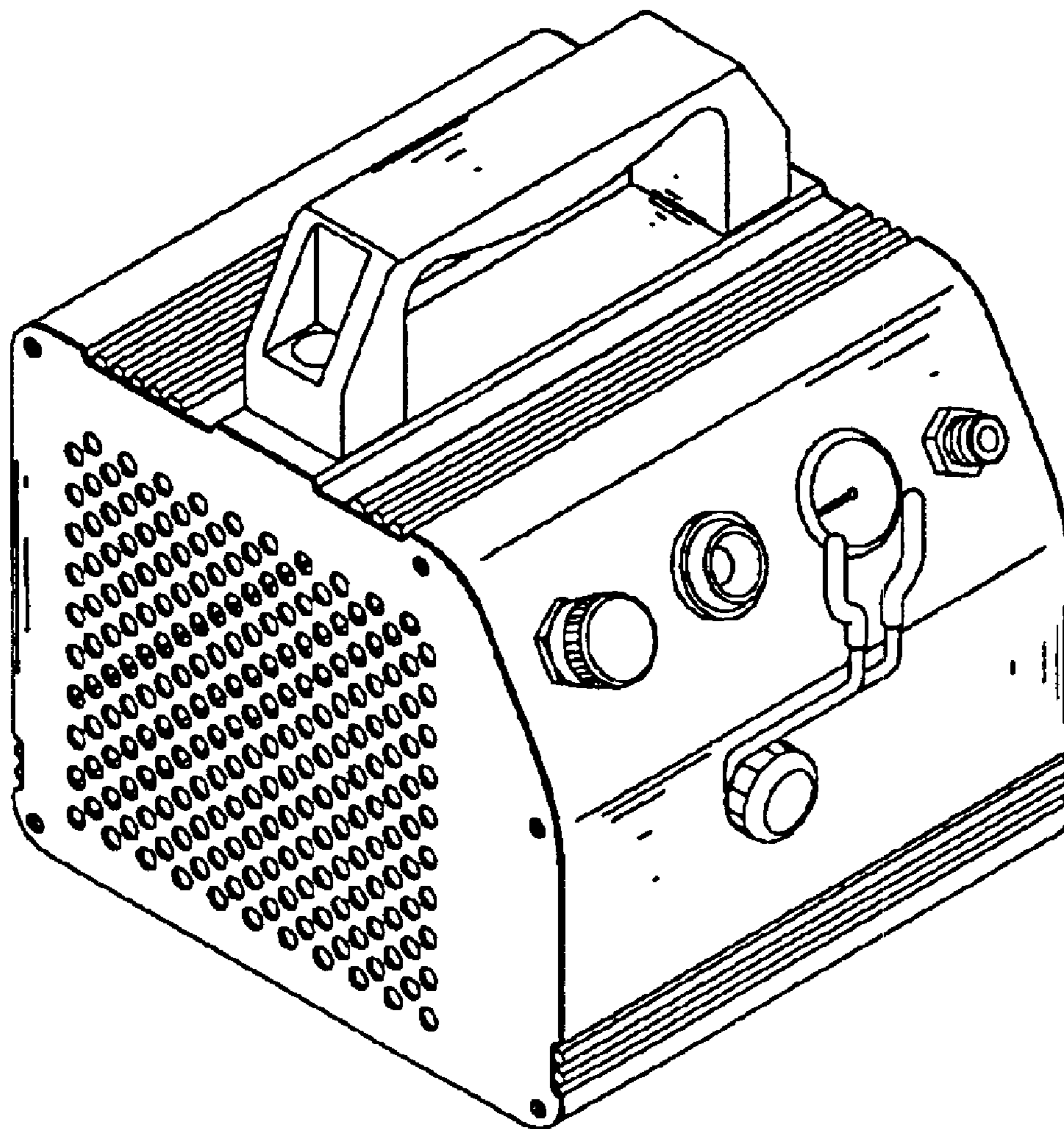
(57) **CLAIM**

The ornamental design for an air compressor, as shown and described.

DESCRIPTION

FIG. 1 is a perspective view of for an air compressor showing my new design;
 FIG. 2 is a front elevational view thereof;
 FIG. 3 is a rear elevational view thereof;
 FIG. 4 is a right side elevational view thereof;
 FIG. 5 is a left side elevational view thereof;
 FIG. 6 is a top plan view thereof; and,
 FIG. 7 is a bottom plan view thereof.

1 Claim, 4 Drawing Sheets



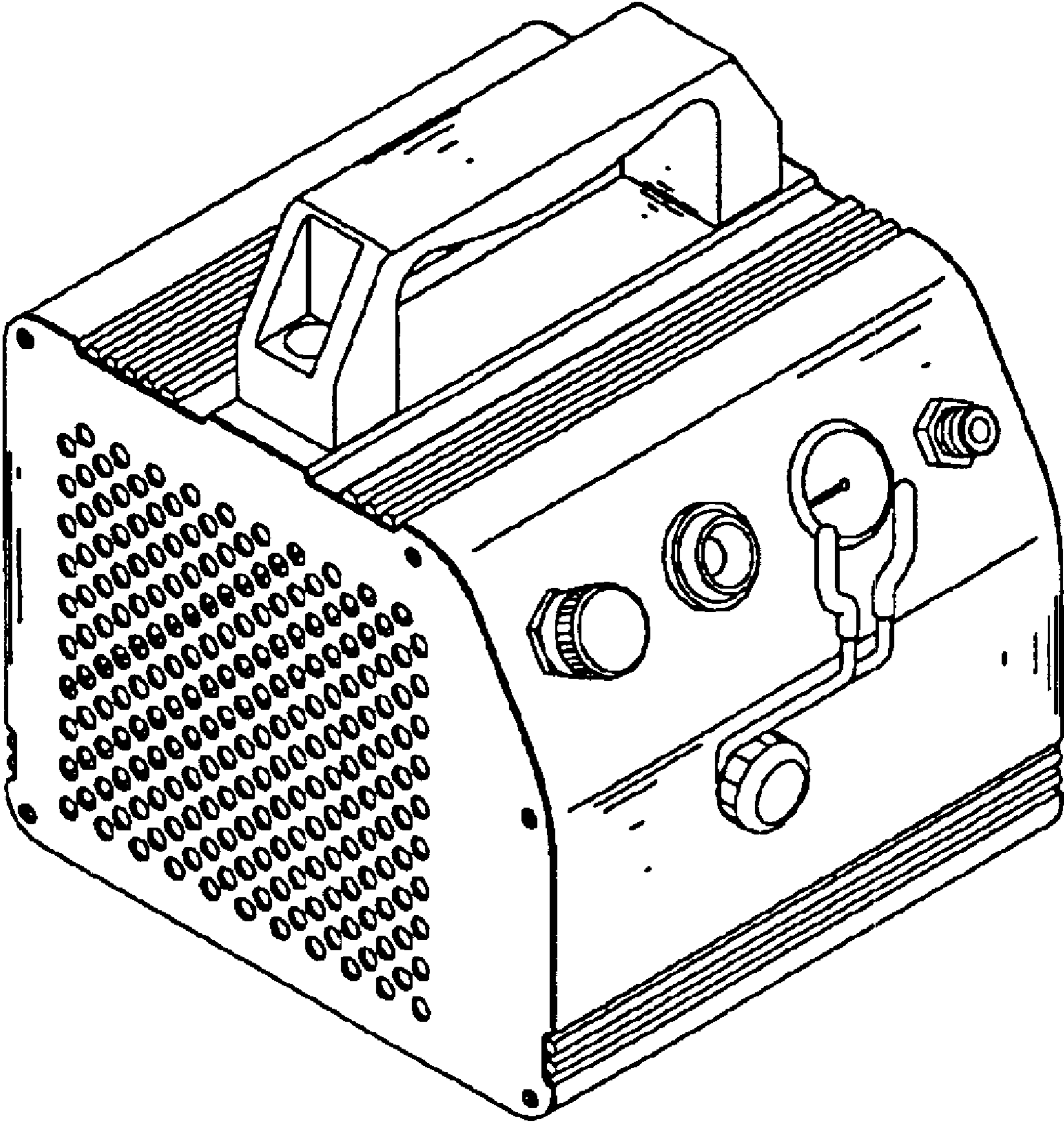


FIG. 1

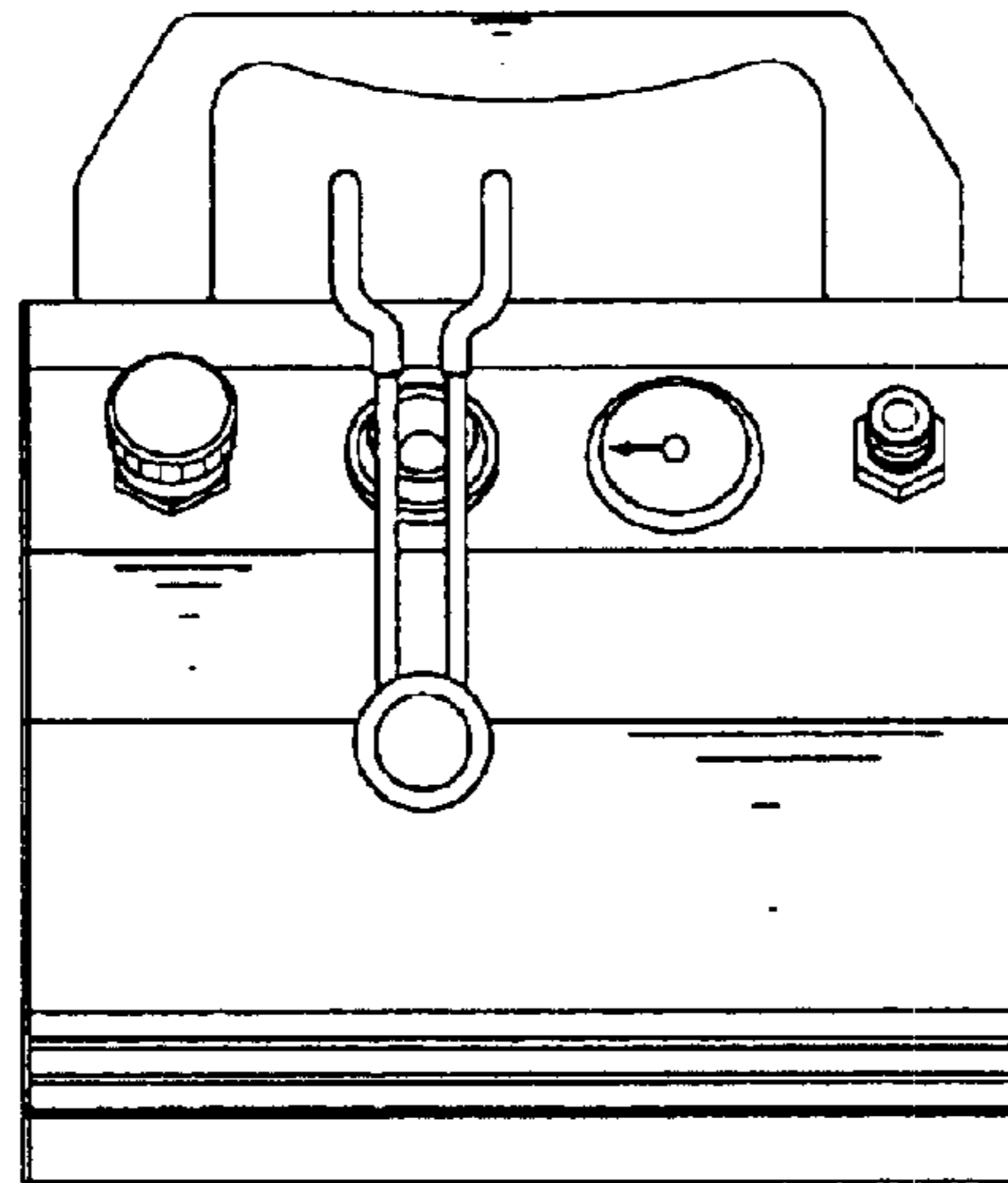


FIG. 2

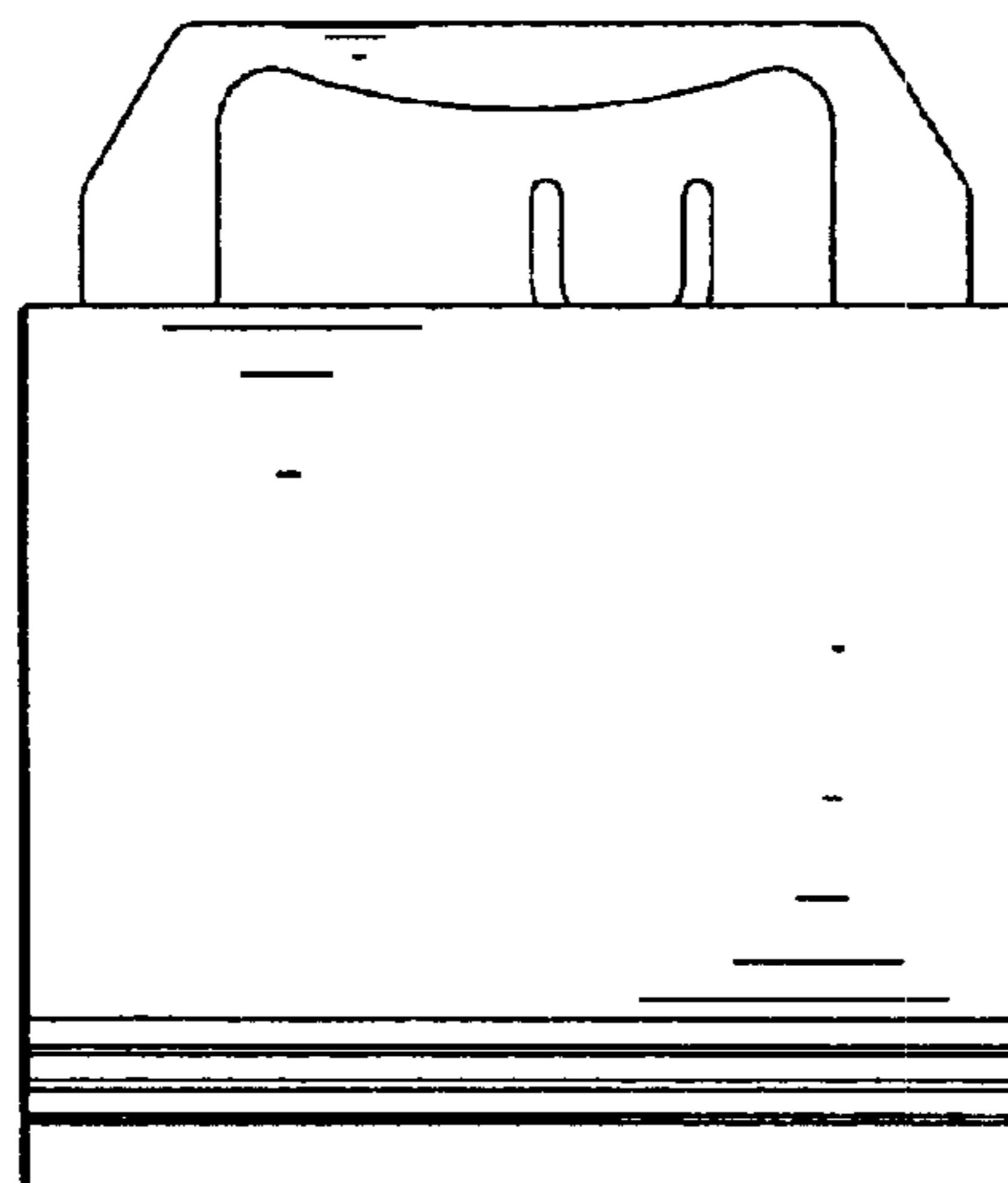


FIG. 3

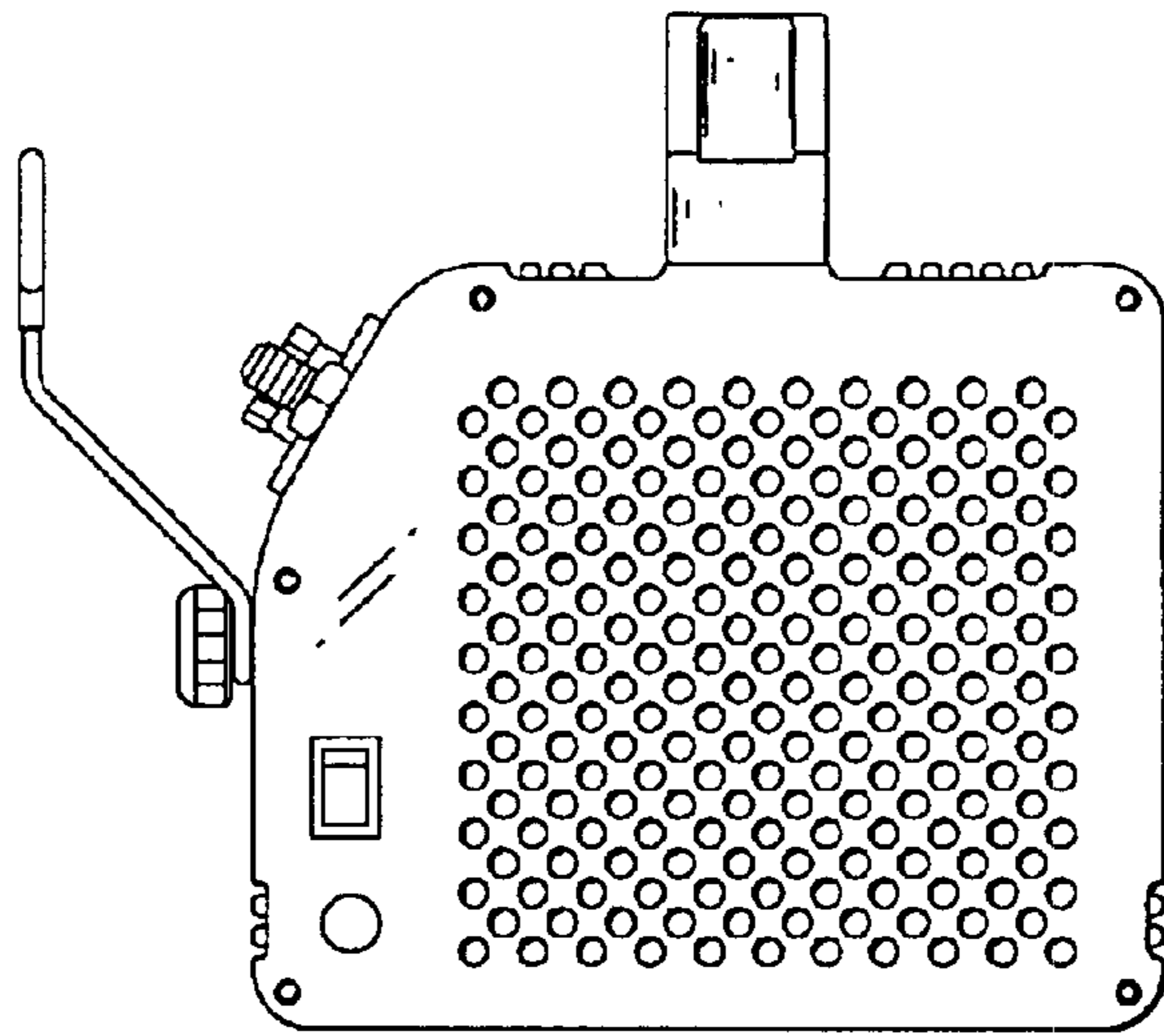


FIG. 4

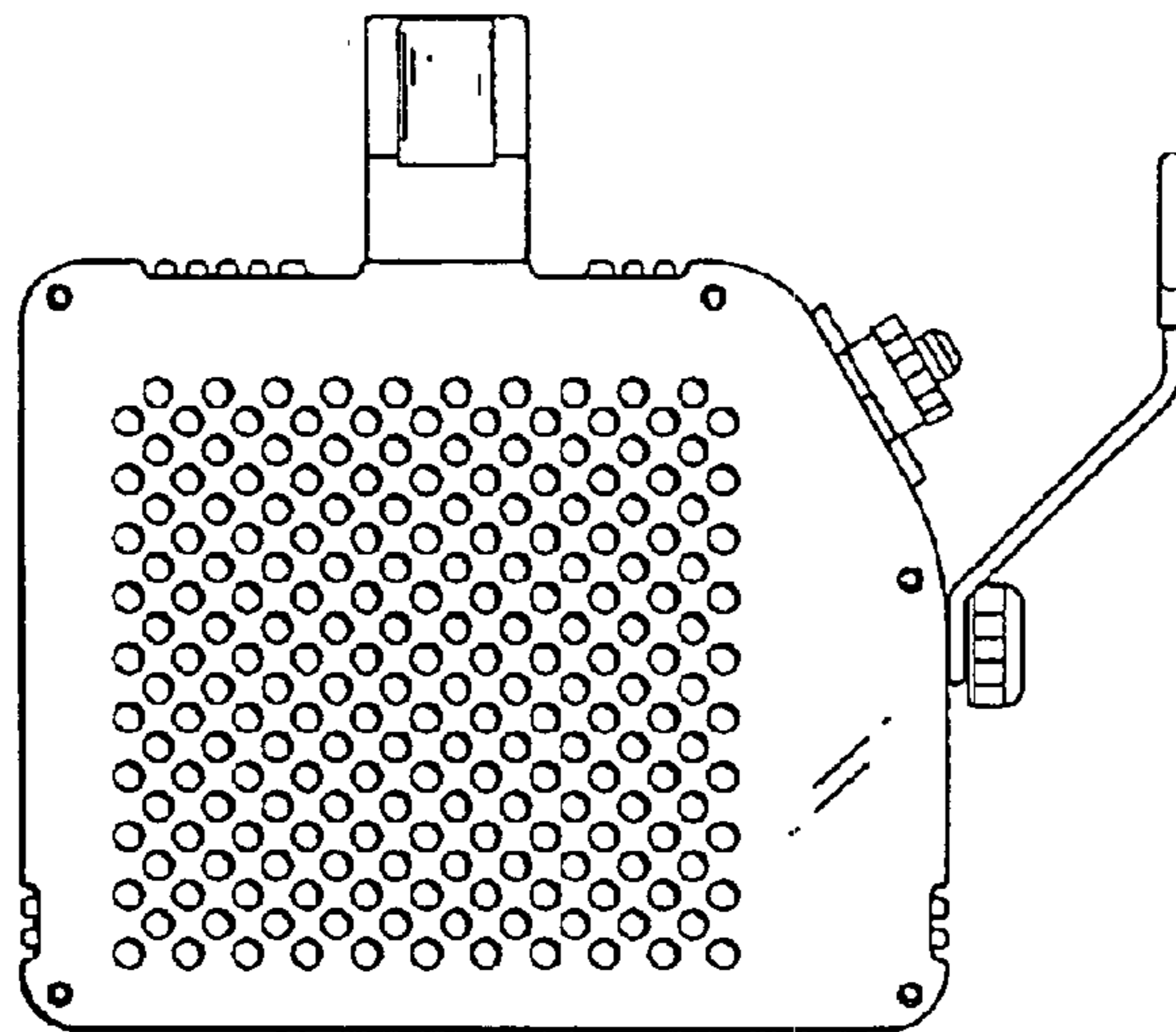


FIG. 5

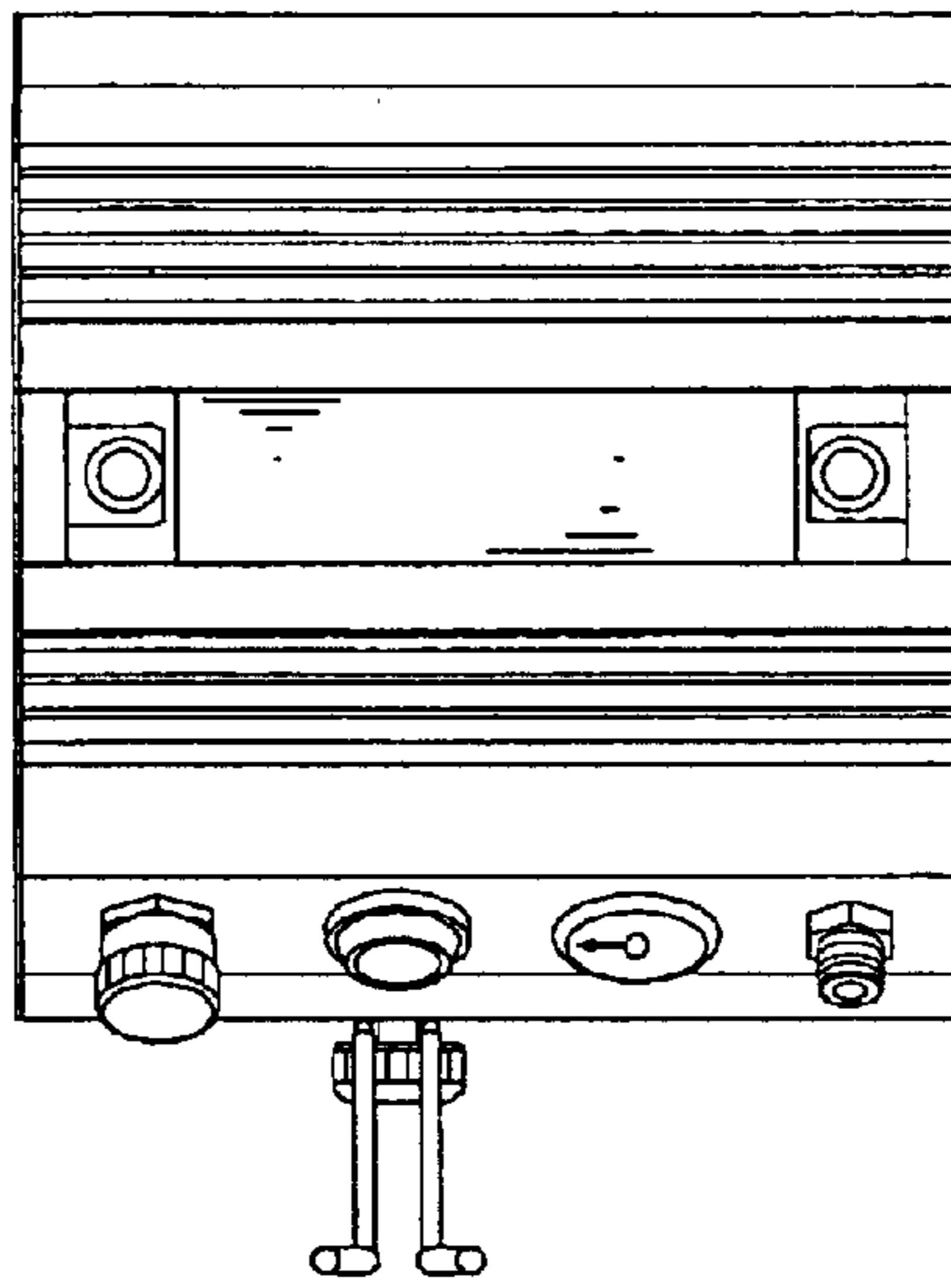


FIG. 6

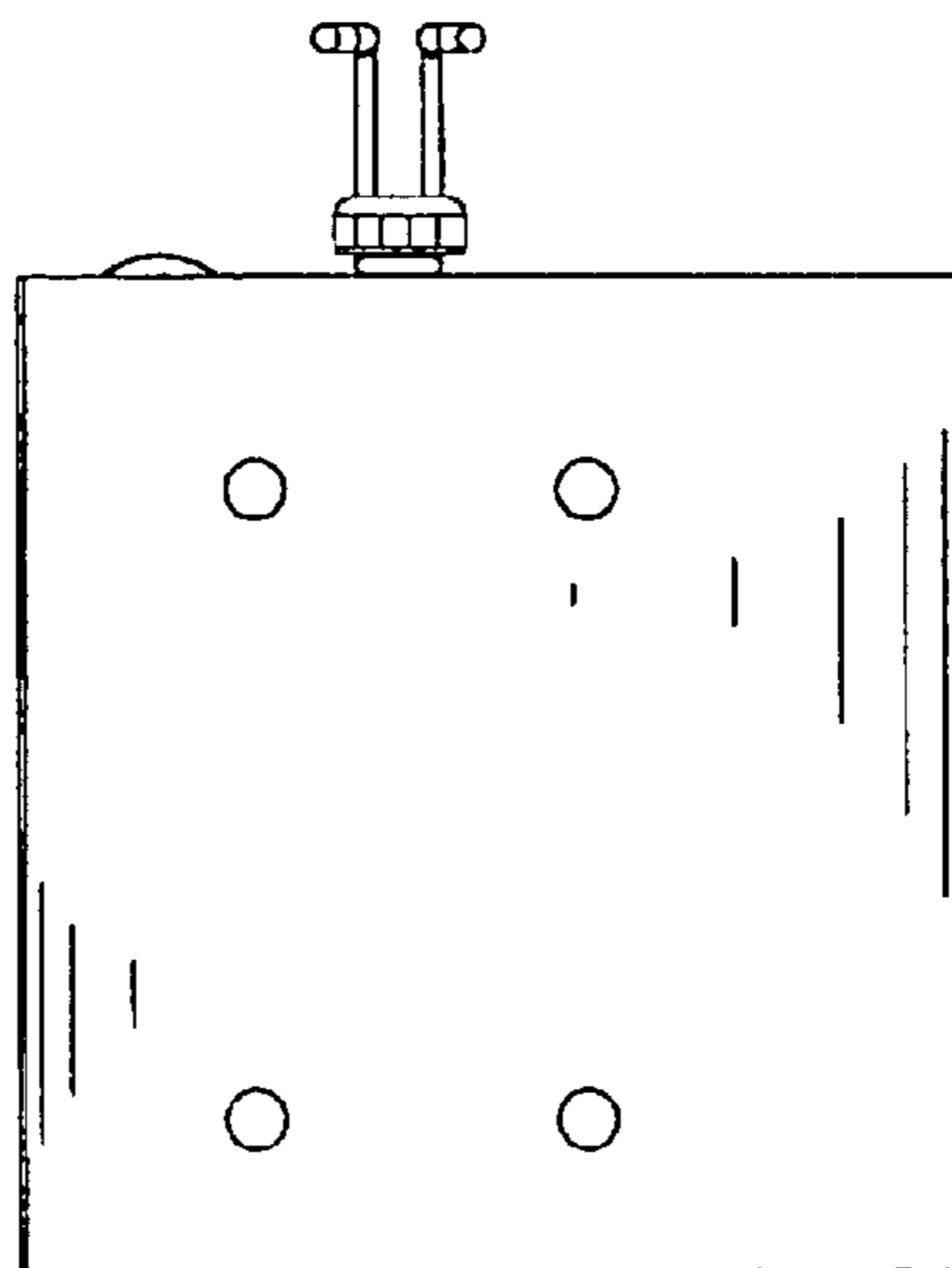


FIG. 7