

US00D498481S

(12) **United States Design Patent**  
**Wang**

(10) **Patent No.:** **US D498,481 S**

(45) **Date of Patent:** **\*\* Nov. 16, 2004**

(54) **SMALL AIR PUMP**

(75) **Inventor:** **Chiao-Ming Wang, Taichung Hsien (TW)**

(73) **Assignee:** **Meiko Pet Corporation, Taichung Hsien (TW)**

(\*\*) **Term:** **14 Years**

(21) **Appl. No.:** **29/197,470**

(22) **Filed:** **Jan. 16, 2004**

(51) **LOC (7) Cl.** ..... **15-02**

(52) **U.S. Cl.** ..... **D15/8**

(58) **Field of Search** ..... D15/7-9; 417/321,  
417/410, 413.1, 415, 423.3, 486, 521, 534;  
415/148, 185

(56) **References Cited**

**U.S. PATENT DOCUMENTS**

- 3,144,832 A \* 8/1964 Haynes ..... 415/185
- D211,913 S \* 8/1968 Levin ..... D15/8
- D214,962 S \* 8/1969 Levin ..... D15/8

- D236,756 S \* 9/1975 Franzen ..... D15/7
- D290,127 S \* 6/1987 Goldman et al. .... D15/8
- D464,362 S \* 10/2002 Tsai ..... D15/7
- D486,501 S \* 2/2004 Hawkins et al. .... D15/7

\* cited by examiner

*Primary Examiner*—Ralf Seifert

(74) *Attorney, Agent, or Firm*—Troxell Law Office PLLC

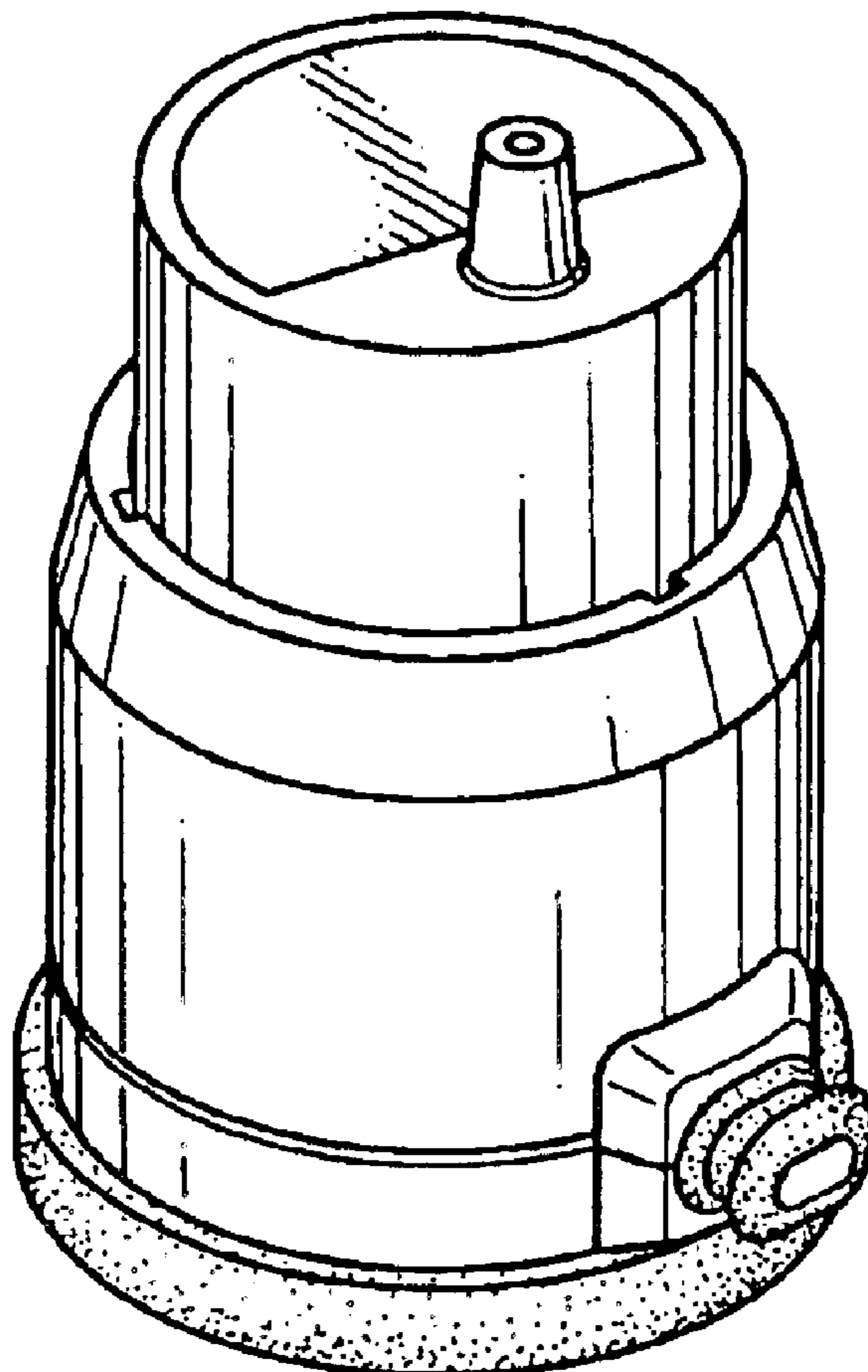
(57) **CLAIM**

The ornamental design for a small air pump, as shown and described.

**DESCRIPTION**

FIG. 1 is a perspective view of small air pump showing my new design;  
 FIG. 2 is a front elevation view thereof;  
 FIG. 3 is a rear elevation view thereof;  
 FIG. 4 is a left side elevation view thereof;  
 FIG. 5 is a right side elevation view thereof;  
 FIG. 6 is a top plan view thereof; and,  
 FIG. 7 is a bottom plan view thereof.

**1 Claim, 3 Drawing Sheets**



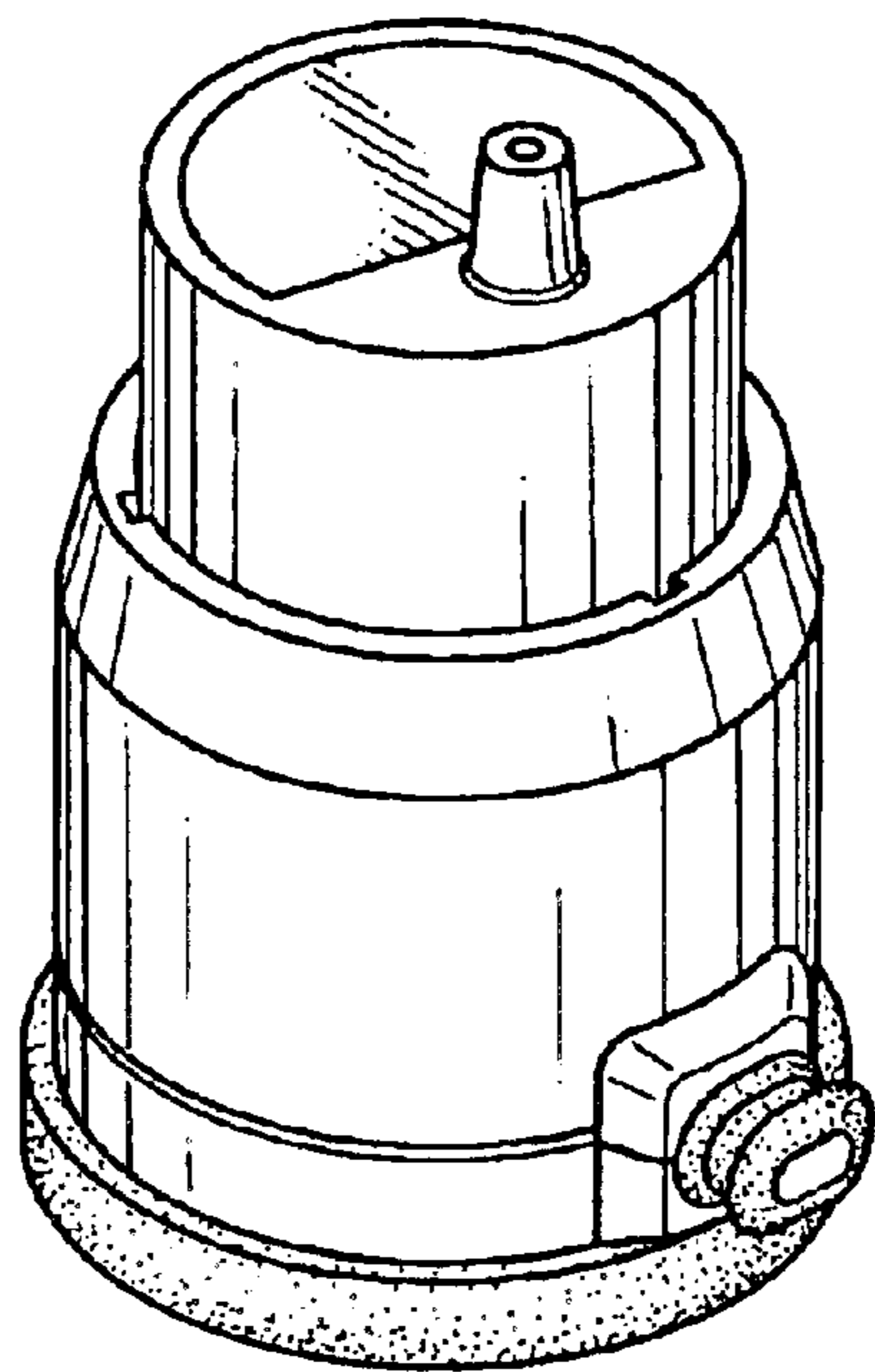


FIG. 1

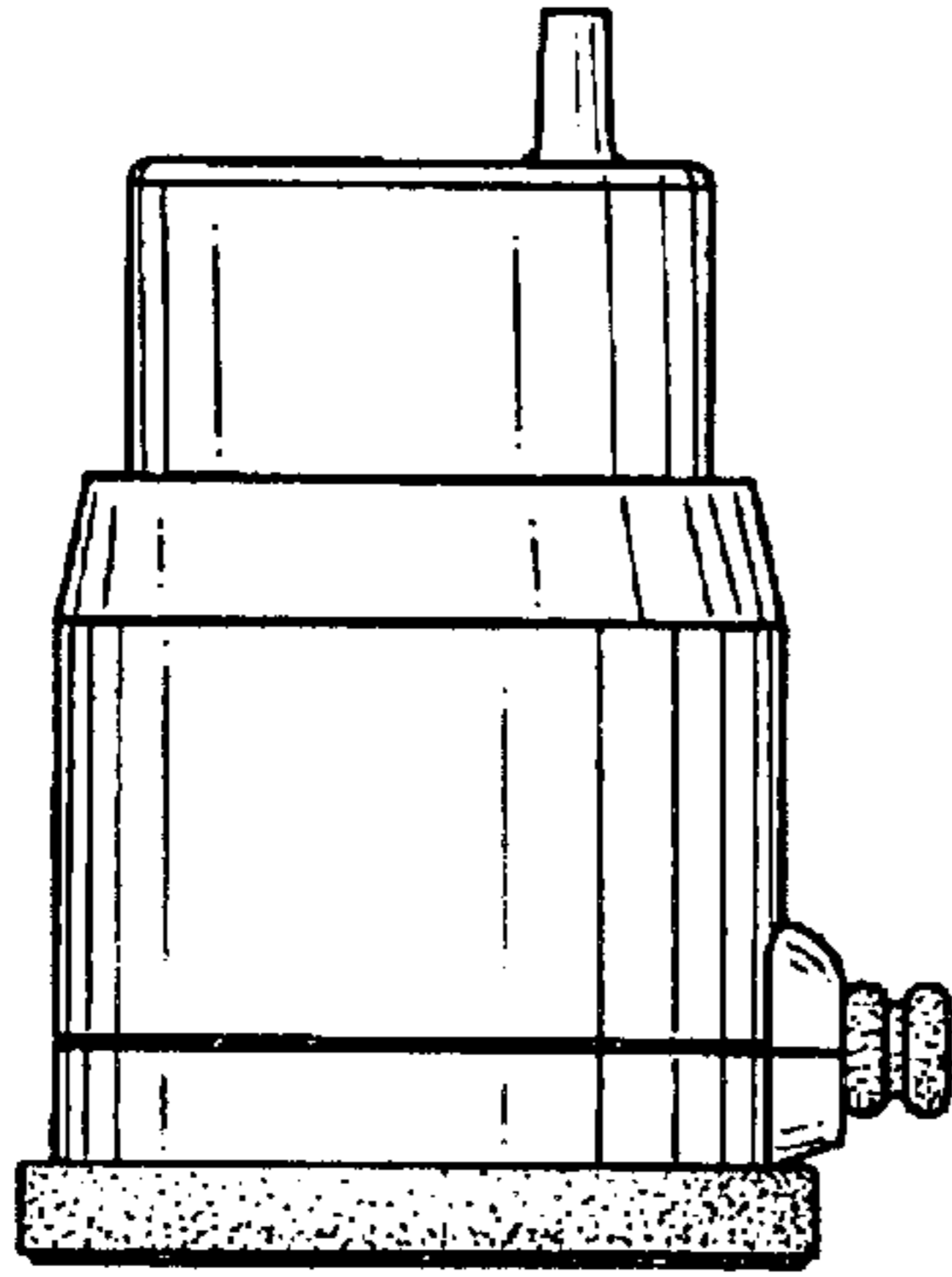


FIG. 2

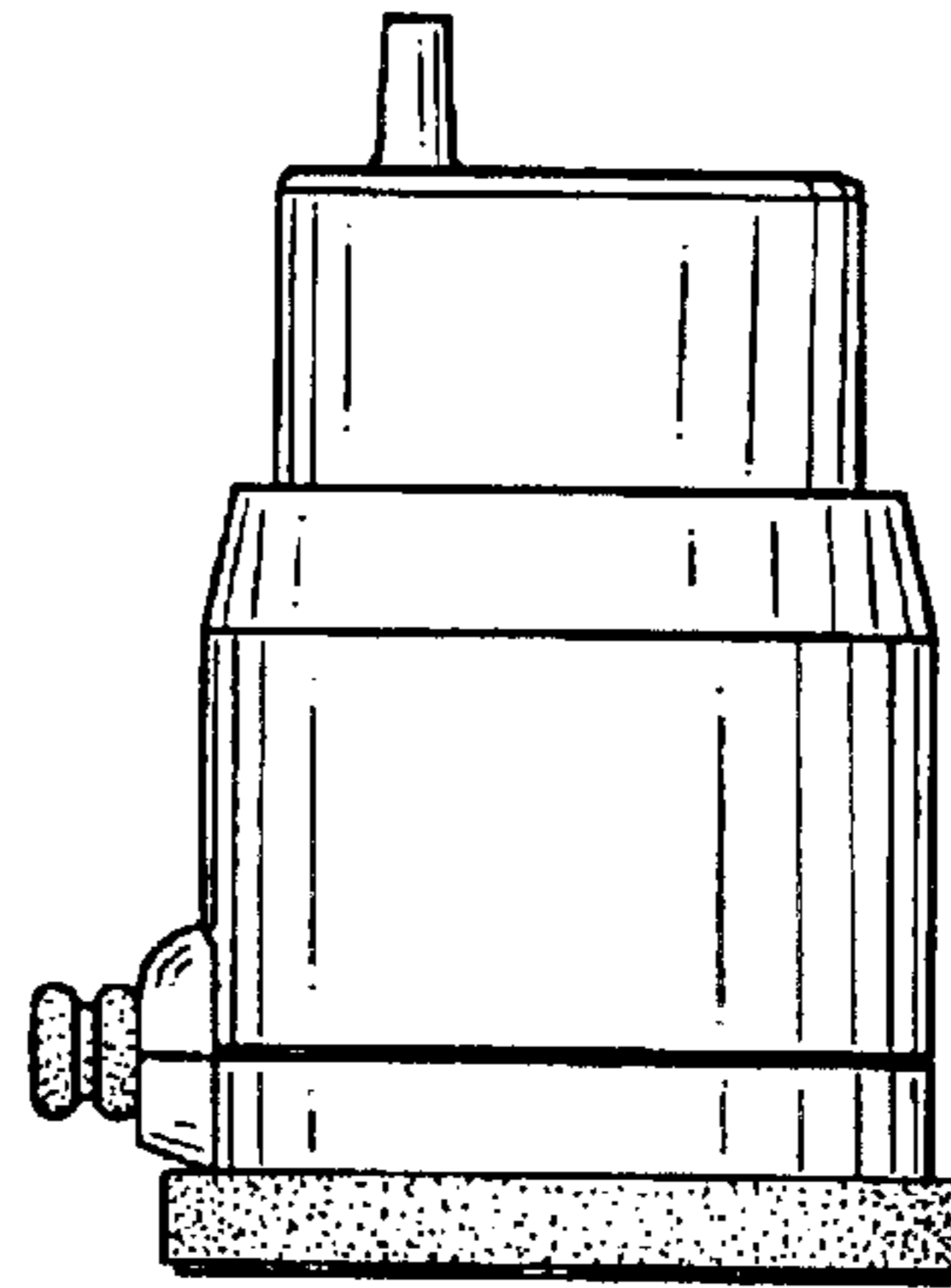


FIG. 3

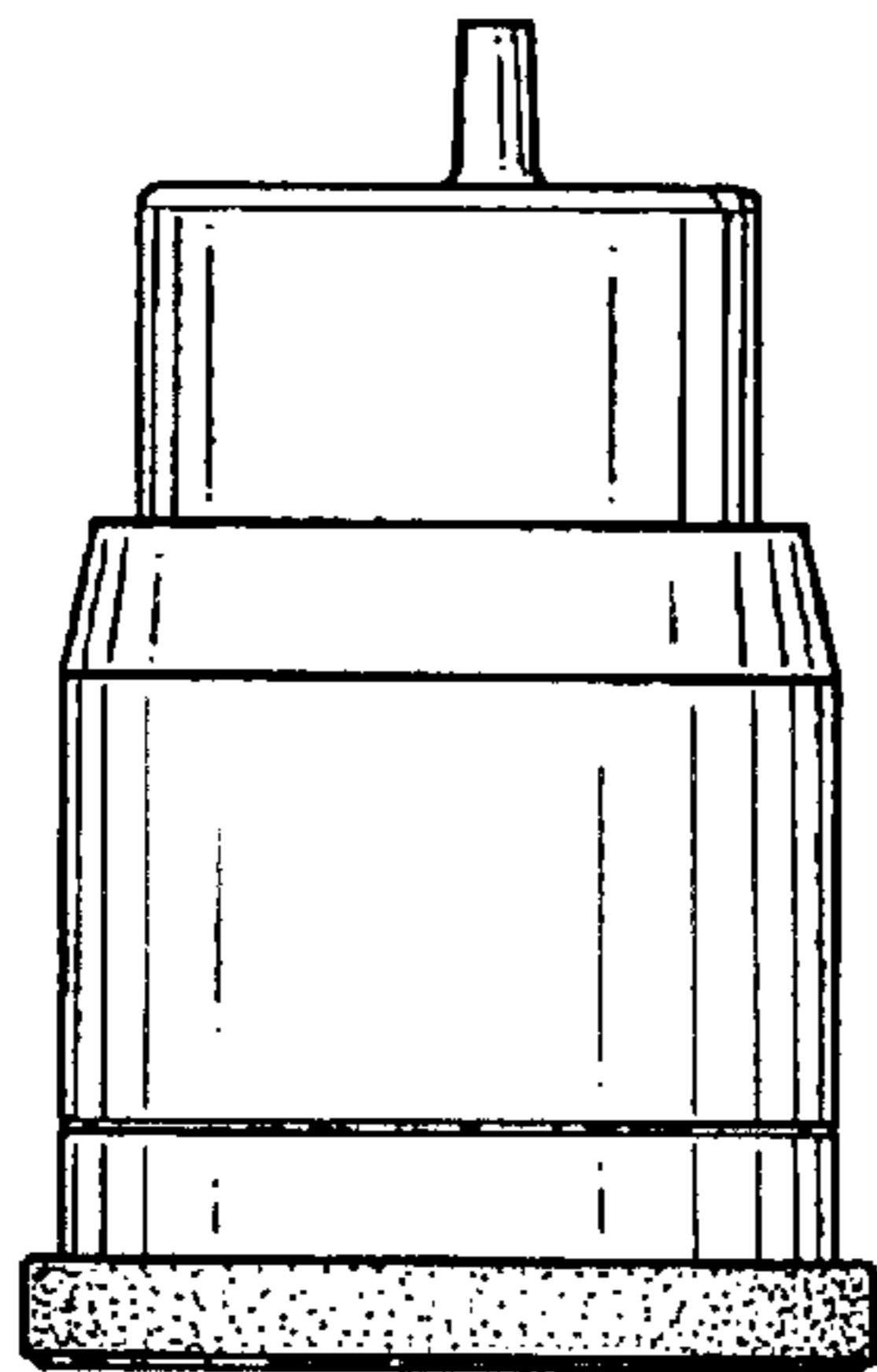


FIG. 4

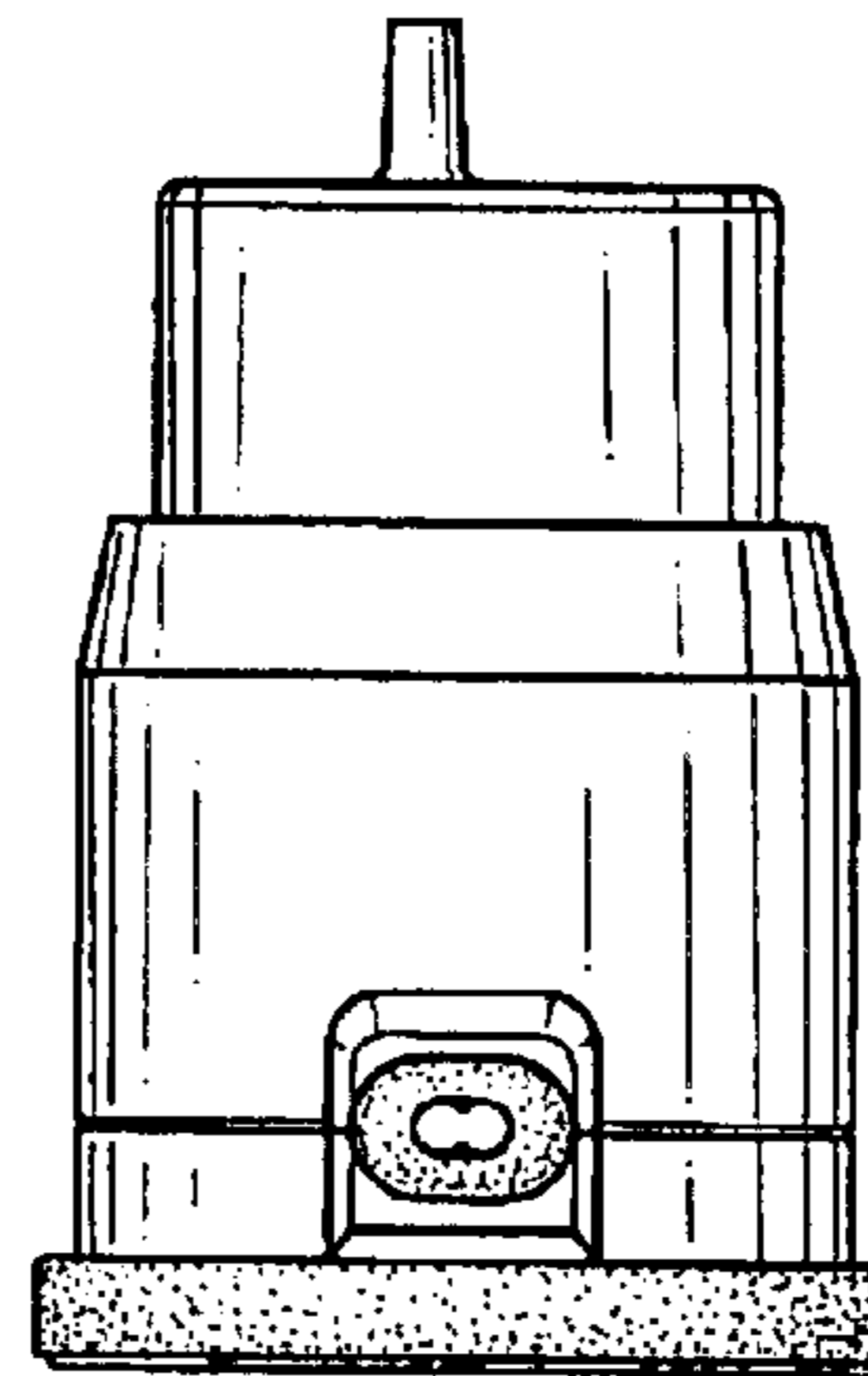


FIG. 5

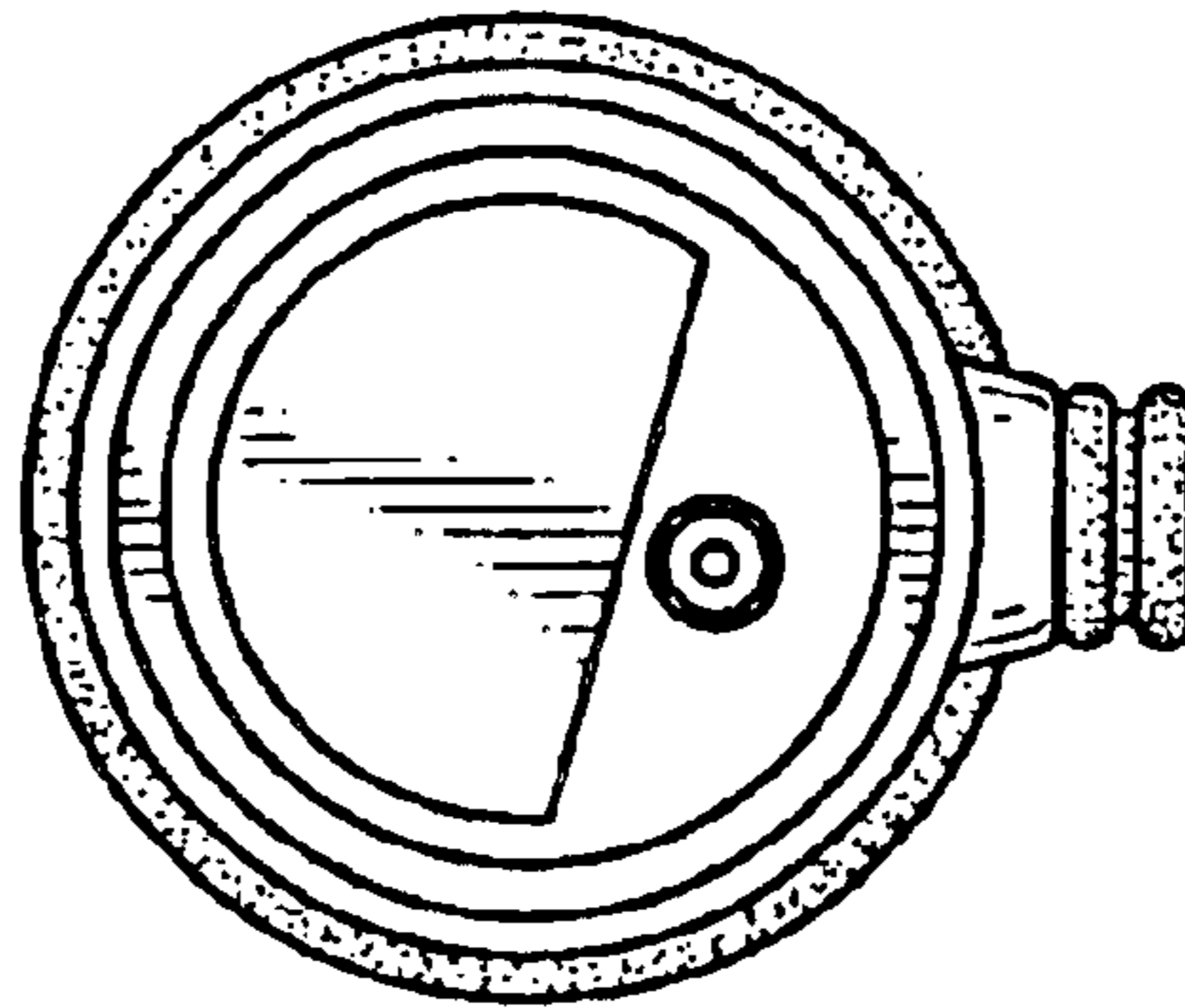


FIG. 6

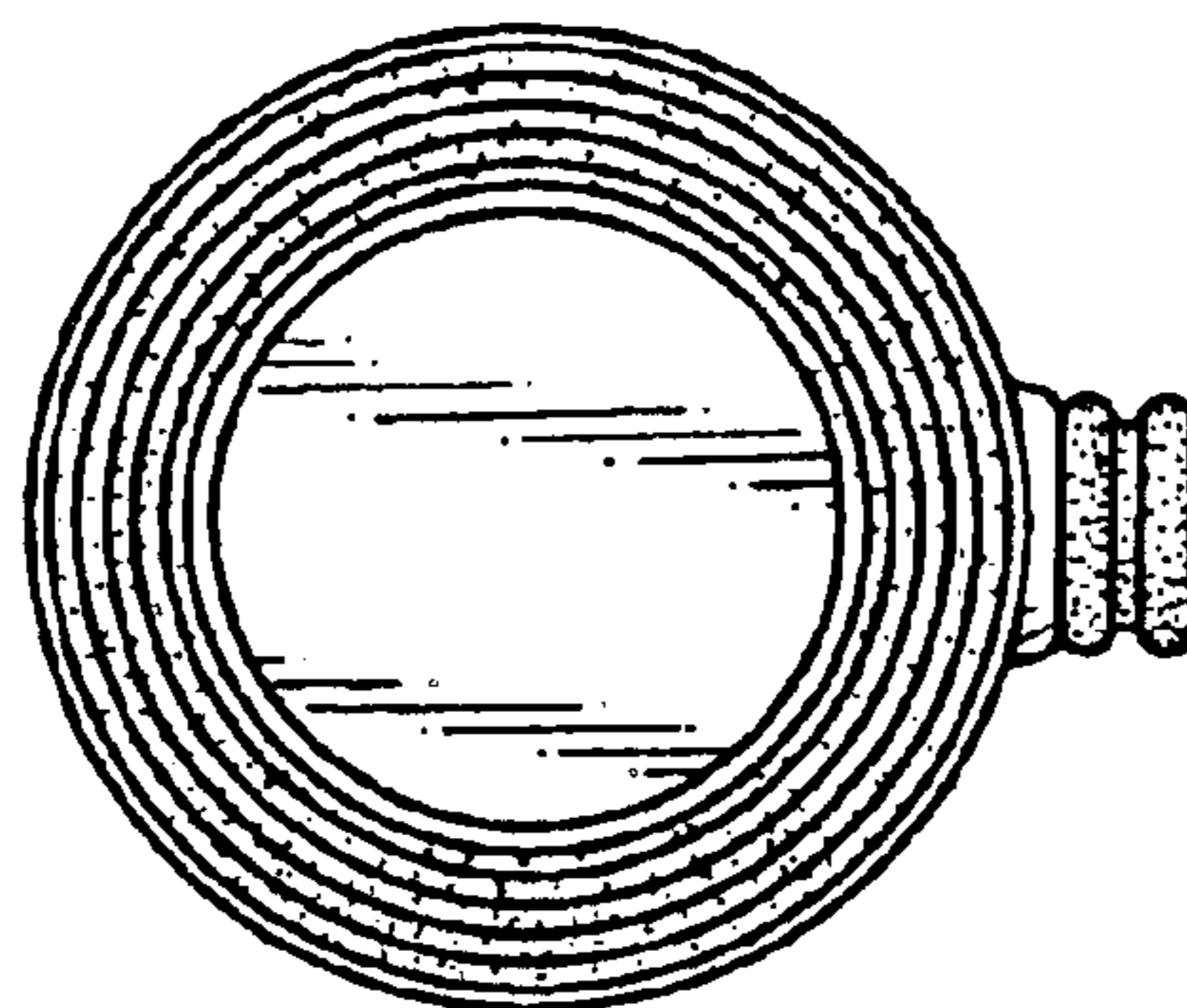


FIG. 7