

US00D498480S

(12) **United States Design Patent**
Tsai

(10) **Patent No.:** **US D498,480 S**

(45) **Date of Patent:** **** Nov. 16, 2004**

(54) **FILTER PUMP**

D464,362 S * 10/2002 Tsai D15/7
D491,577 S * 6/2004 Akimoto et al. D15/7

(76) **Inventor:** **Lung-Po Tsai**, 27F, No. 29-3, Sec. 2,
Chung-Cheng E. Rd., Tan-Shui Chen,
Taipei Hsien (TW)

* cited by examiner

(**) **Term:** **14 Years**

Primary Examiner—Ralf Seifert

(74) *Attorney, Agent, or Firm*—Bacon & Thomas PLLC

(21) **Appl. No.:** **29/191,947**

(57) **CLAIM**

(22) **Filed:** **Oct. 17, 2003**

The ornamental design for a filter pump, as shown.

(51) **LOC (7) Cl.** **15-02**

(52) **U.S. Cl.** **D15/7**

(58) **Field of Search** D15/7-9; 417/321,
417/410, 413.1, 415, 423.3, 486, 521, 534;
415/148

DESCRIPTION

FIG. 1 is a perspective view of a filter pump, showing my new design;

FIG. 2 is a front elevational view thereof;

FIG. 3 is a rear elevational view thereof;

FIG. 4 is a left side elevational view thereof;

FIG. 5 is a right side elevational view thereof;

FIG. 6 is a top plan view thereof; and,

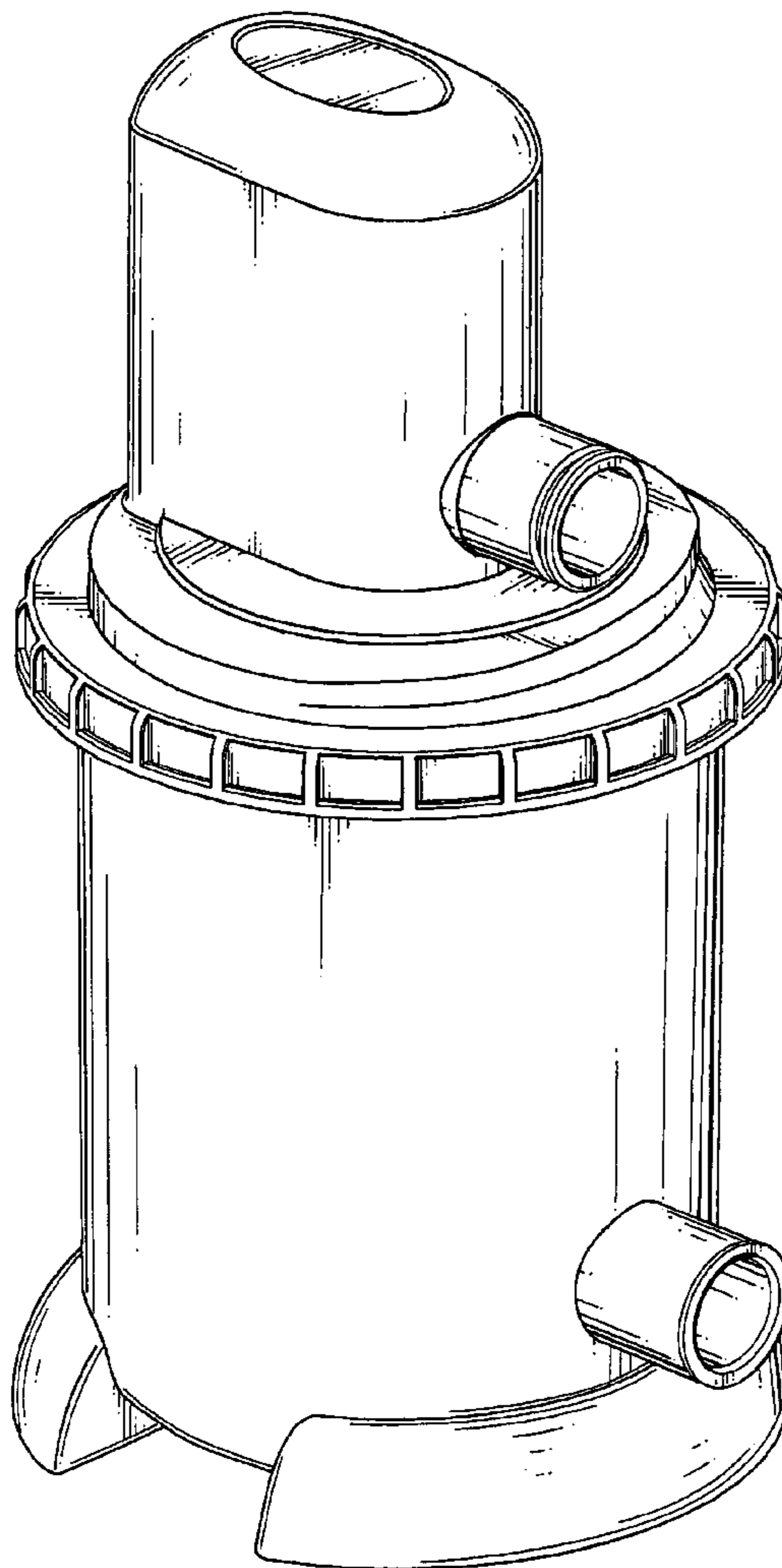
FIG. 7 is a bottom plan view thereof.

(56) **References Cited**

U.S. PATENT DOCUMENTS

D229,235 S * 11/1973 Bunch D15/7
D229,783 S * 1/1974 Campbell et al. D15/7
D237,011 S * 9/1975 Stroberg D15/7

1 Claim, 7 Drawing Sheets



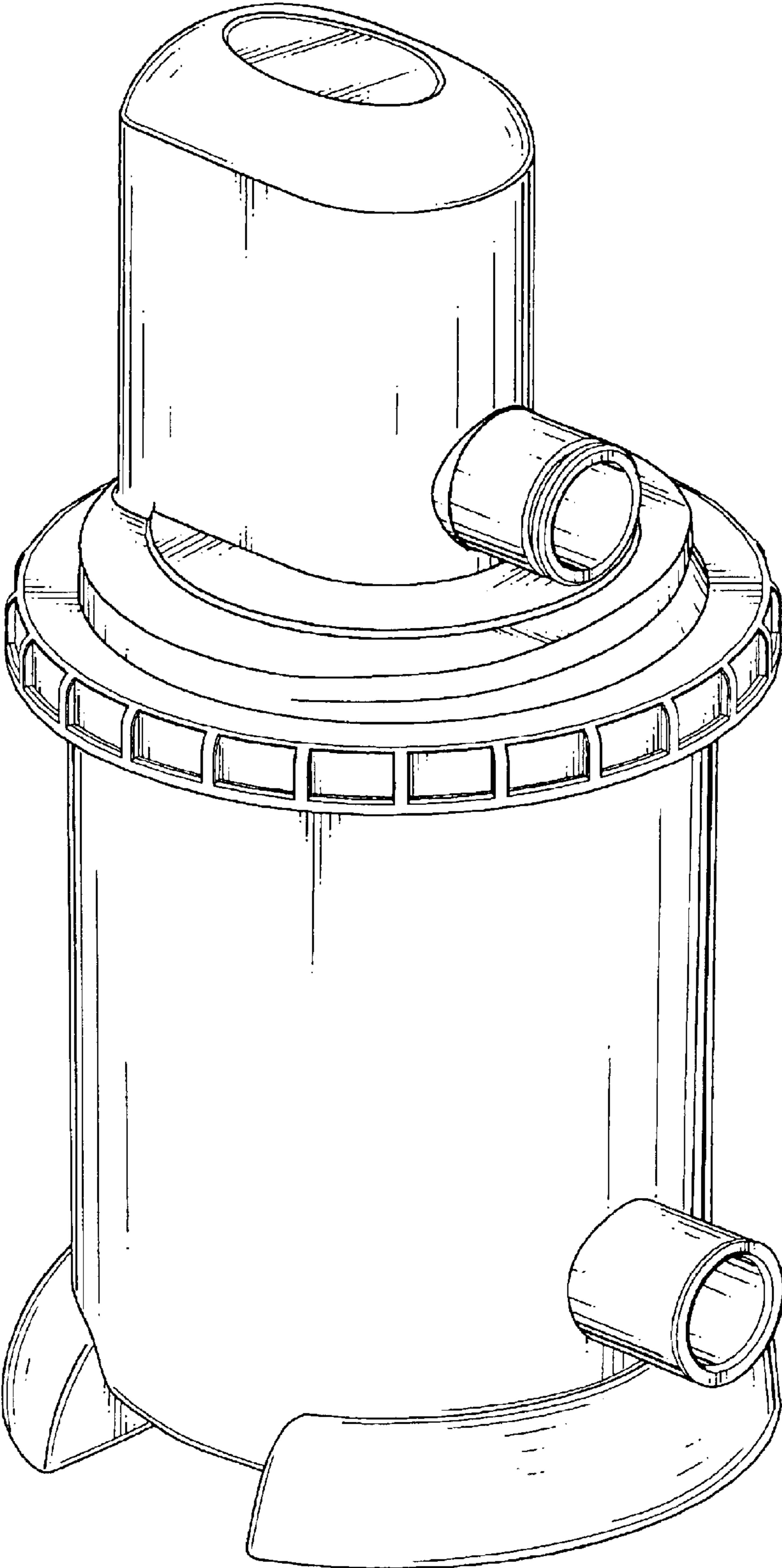


FIG. 1

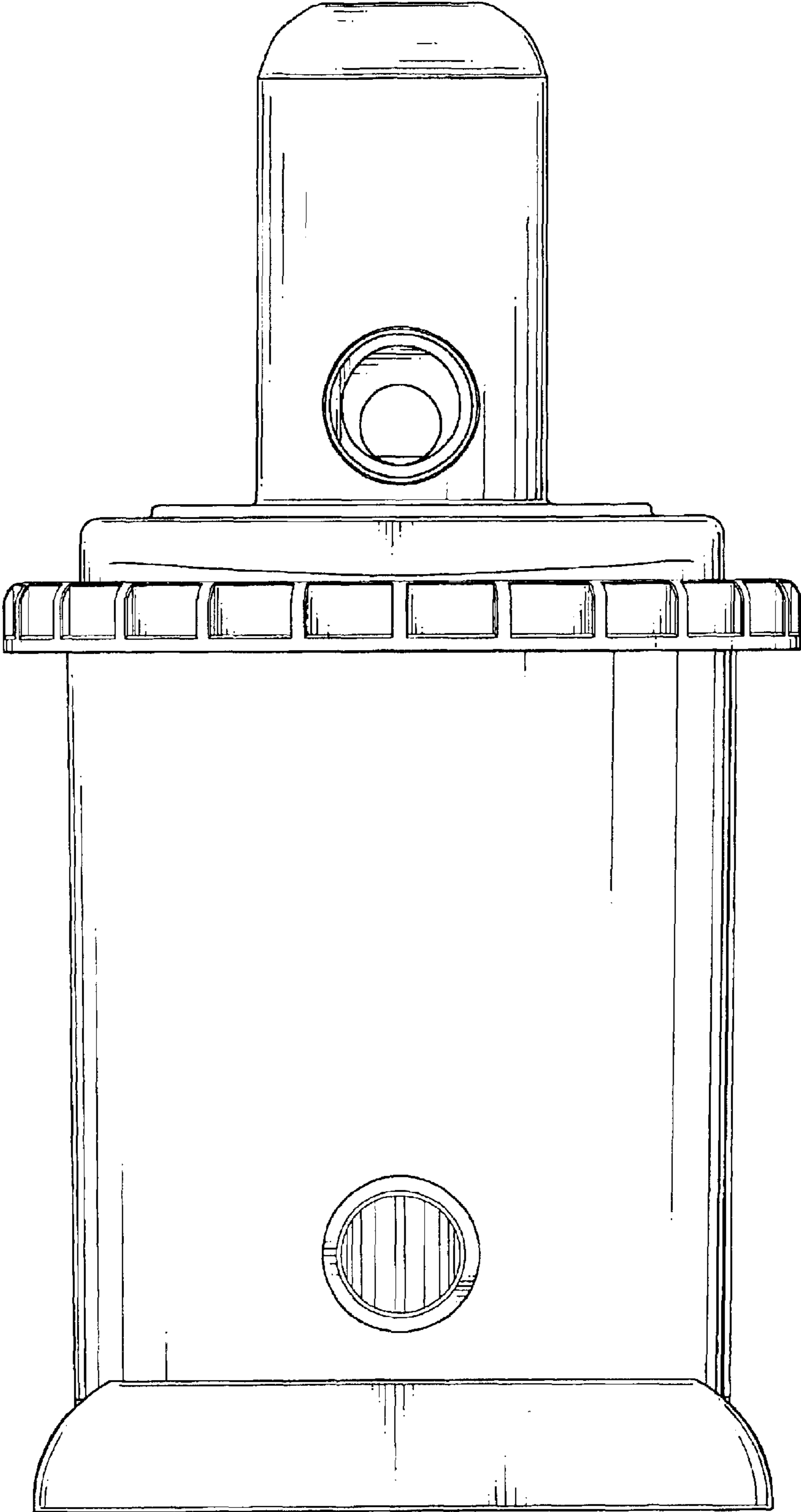


FIG. 2

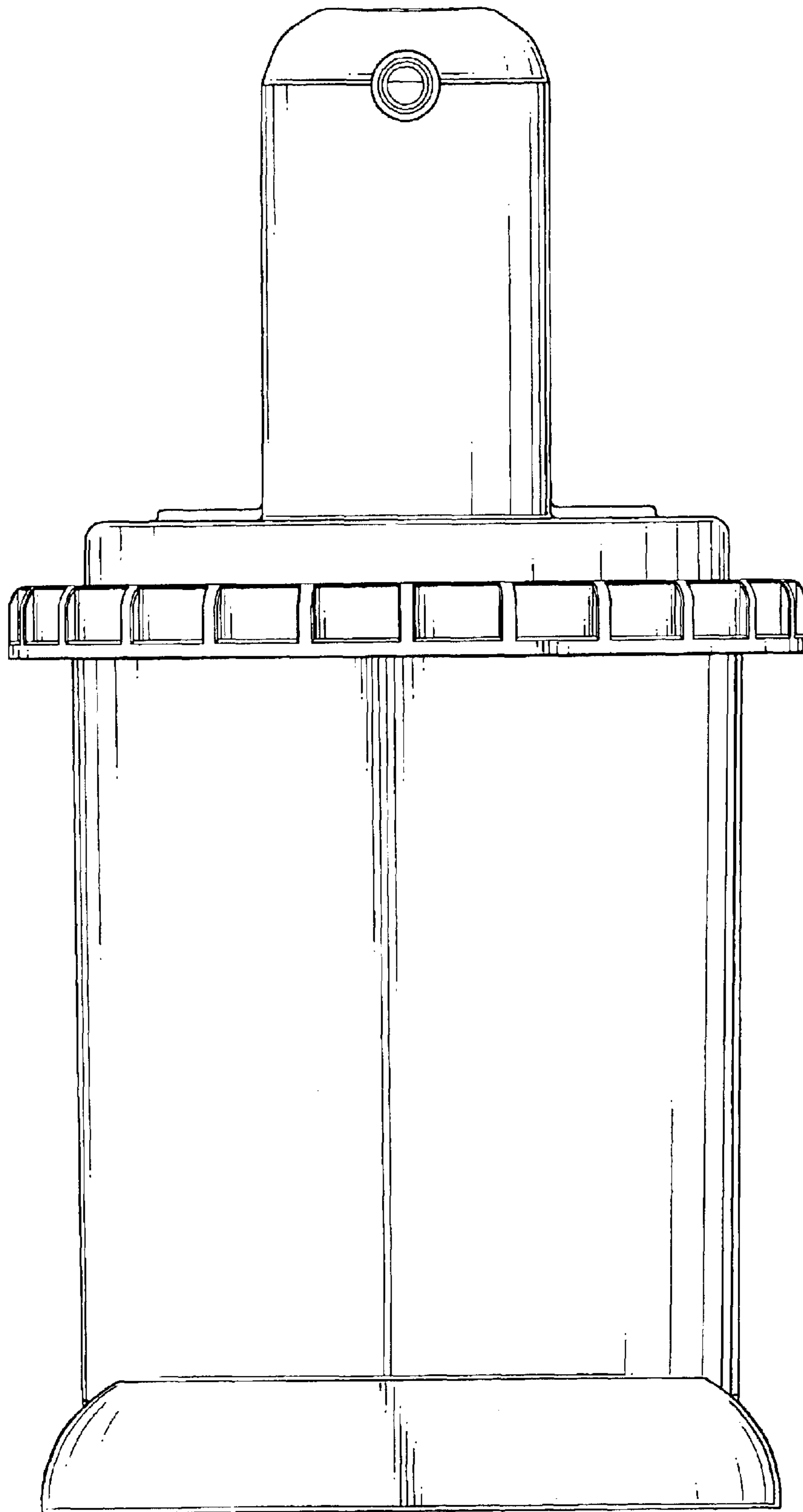


FIG. 3

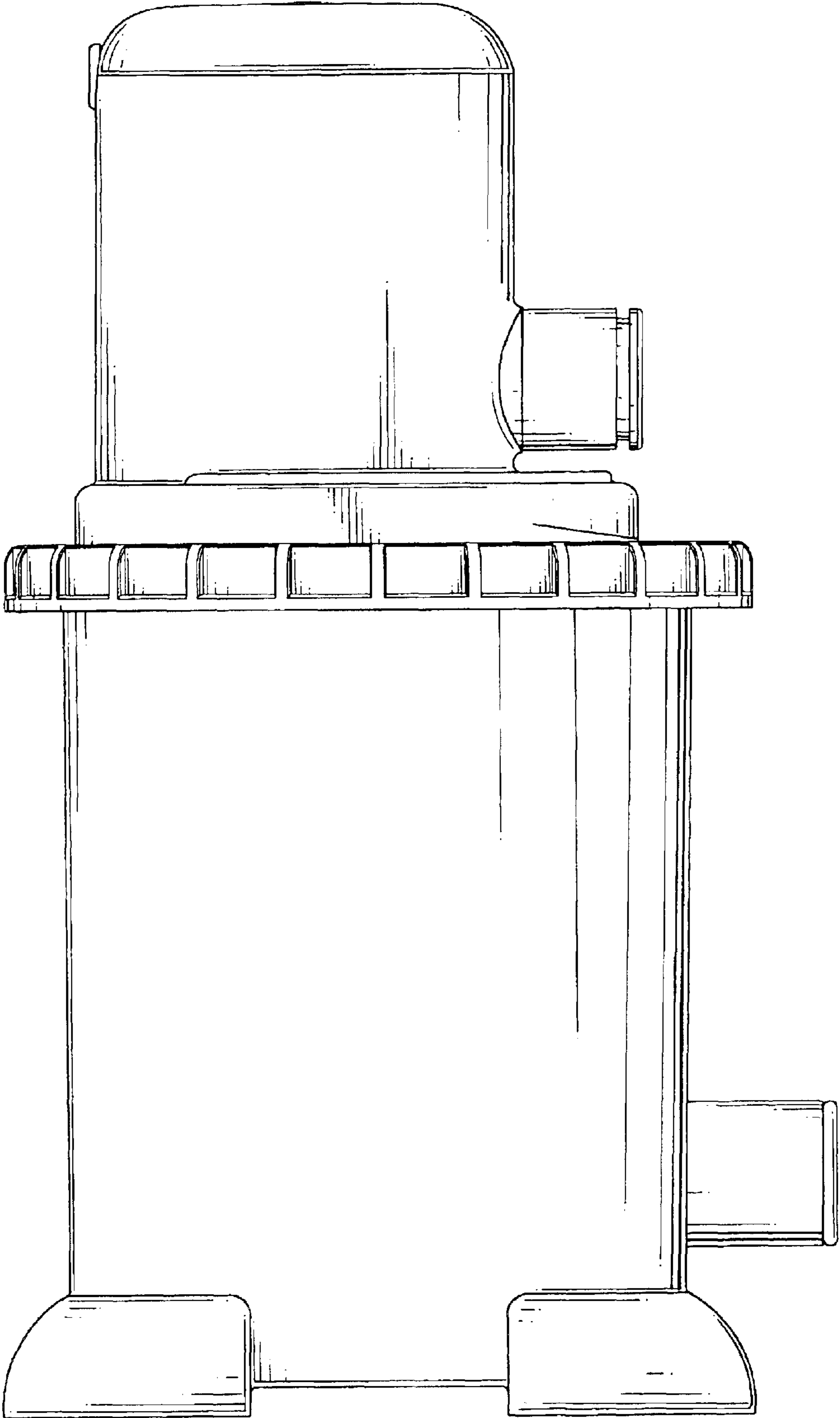


FIG. 4

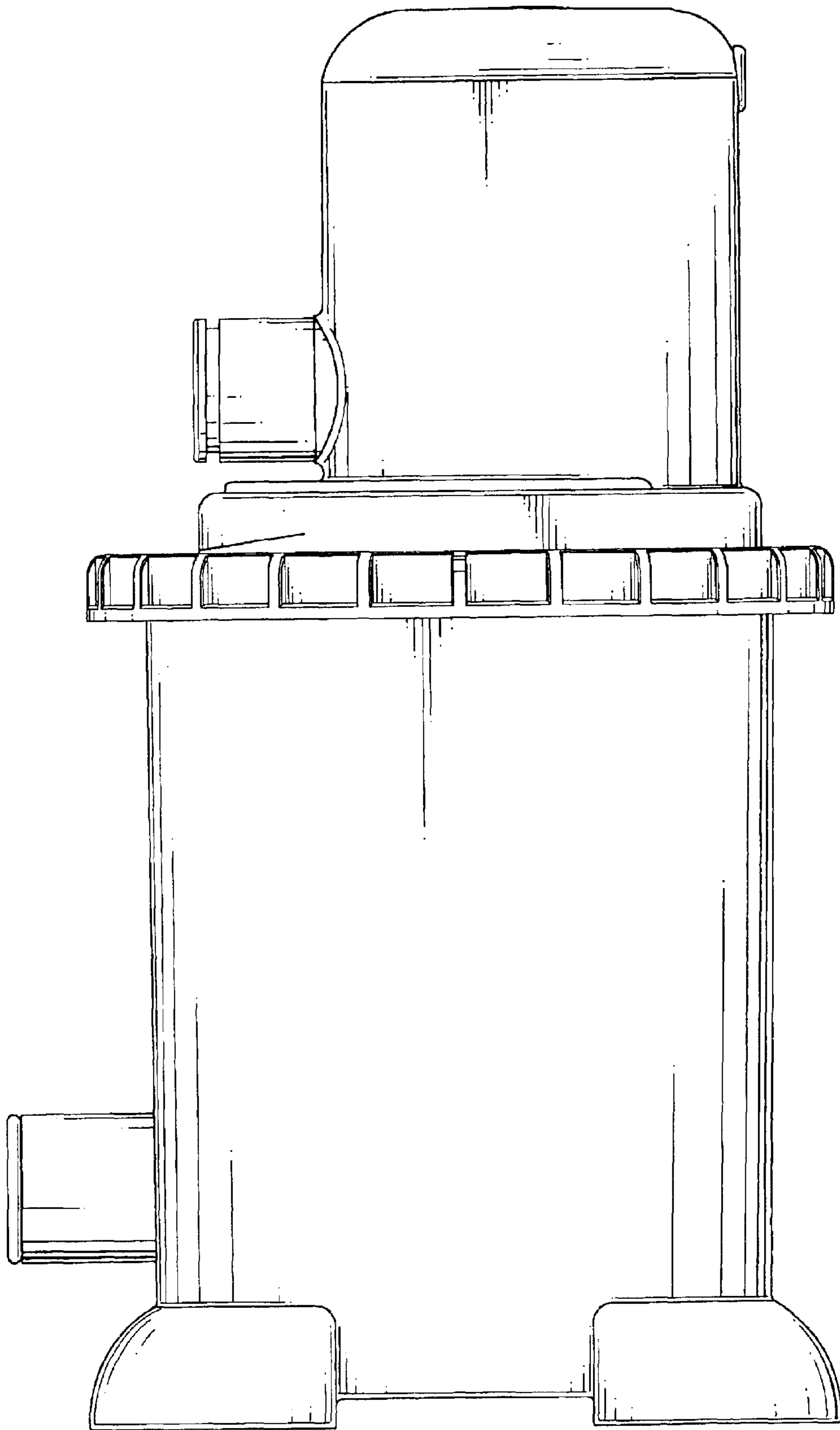


FIG. 5

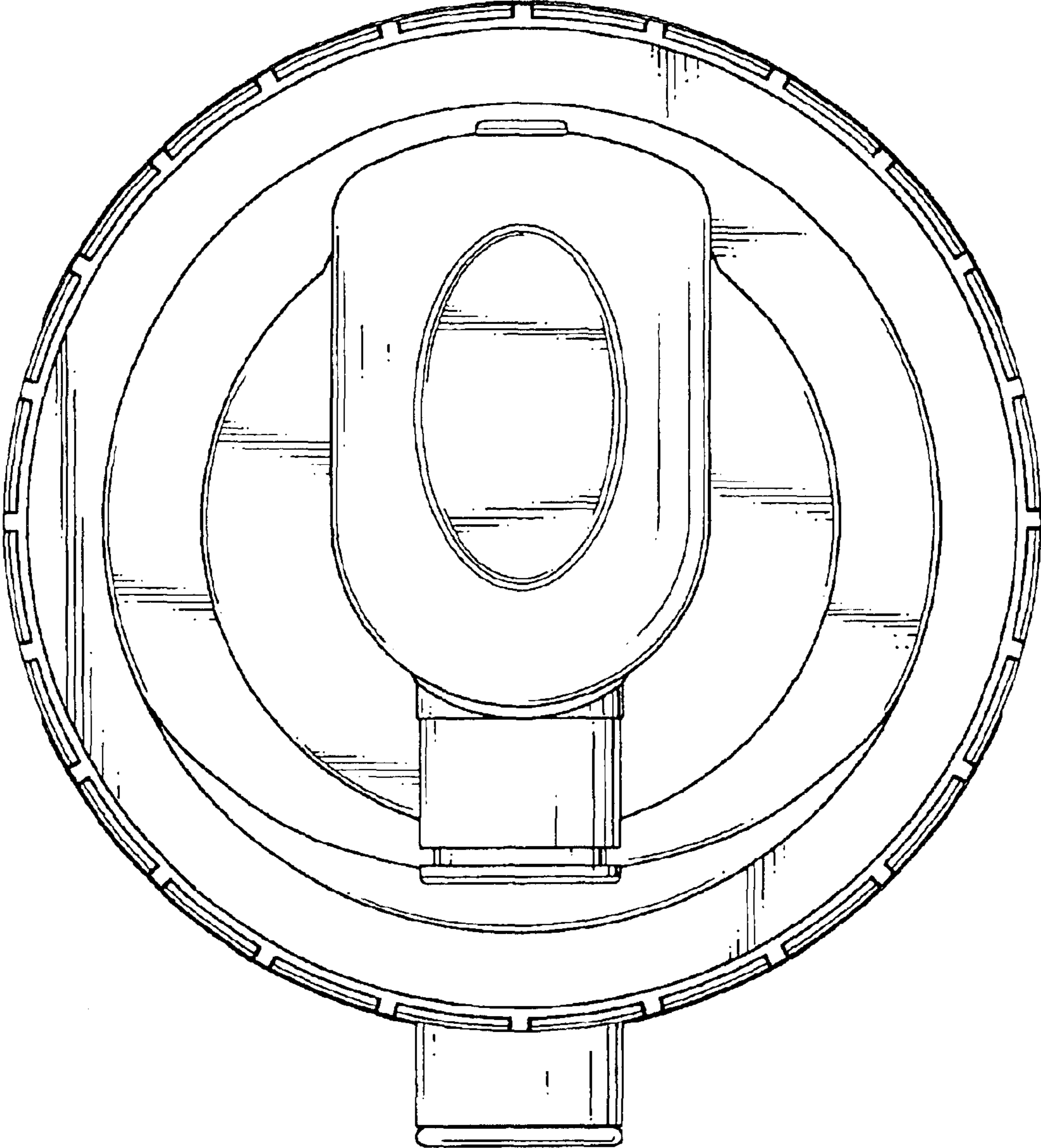


FIG. 6

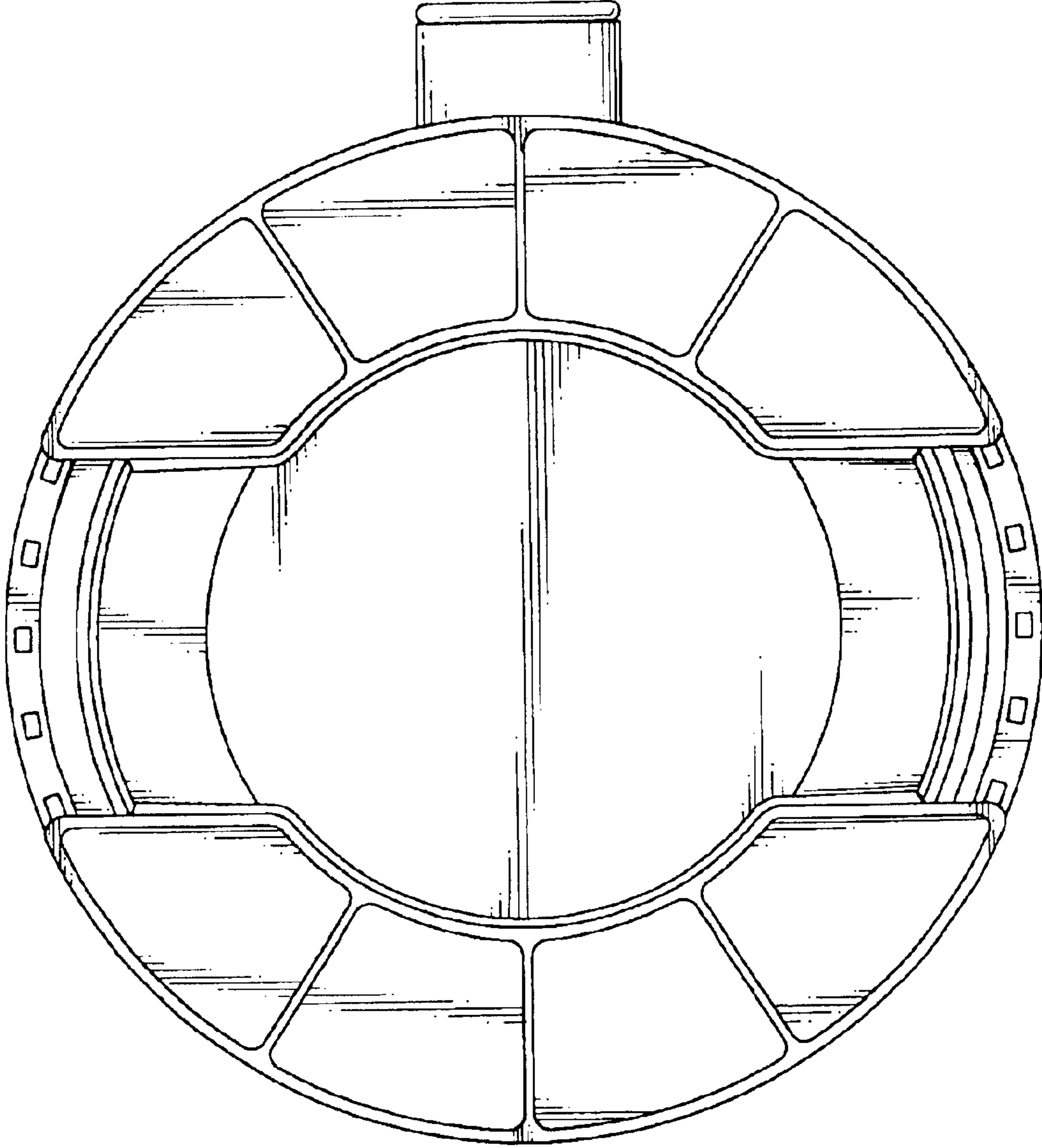


FIG. 7