



US00D498477S

(12) **United States Design Patent** (10) **Patent No.:** **US D498,477 S**
Goto (45) **Date of Patent:** **** Nov. 16, 2004**

(54) **DISK CARTRIDGE**

D475,059 S * 5/2003 Niitsu D14/478
2002/0012316 A1 * 1/2002 Inoue et al. 369/291

(75) Inventor: **Teiyu Goto**, Tokyo (JP)

FOREIGN PATENT DOCUMENTS

(73) Assignee: **Sony Computer Entertainment Inc.**,
Tokyo (JP)

JP D915629 S 12/1994

(**) Term: **14 Years**

OTHER PUBLICATIONS

(21) Appl. No.: **29/193,422**

Webpage, "BD-RE120N," <http://www.tdk.co.jp/tjaah01/aah39900.htm>, 4sheets, TDK (Feb. 20, 2004).

(22) Filed: **Nov. 12, 2003**

Webpage, "BDZ-S77," http://www.biccamera.com/bicbic/jsp/w/visual/sony/bdz_s77/index.jsp, 4sheets, Biccamera (Feb. 20, 2004).

(30) **Foreign Application Priority Data**

May 12, 2003 (JP) 2003-16983

* cited by examiner

(51) **LOC (7) Cl.** **14-02**

Primary Examiner—M. H. Tung

(52) **U.S. Cl.** **D14/478**

(74) *Attorney, Agent, or Firm*—Rader, Fishman & Grauer PLLC

(58) **Field of Search** D14/432-3, 435-6,
D14/474, 478-80; 360/60, 129, 131-3,
135, 97.01-99.12; 206/307-8, 312, 472;
369/272-3, 291, 77.2

(57) **CLAIM**

The ornamental design for a disk cartridge, as shown and described.

(56) **References Cited**

DESCRIPTION

U.S. PATENT DOCUMENTS

FIG. 1 is a rear elevational view of disk cartridge showing my new design;

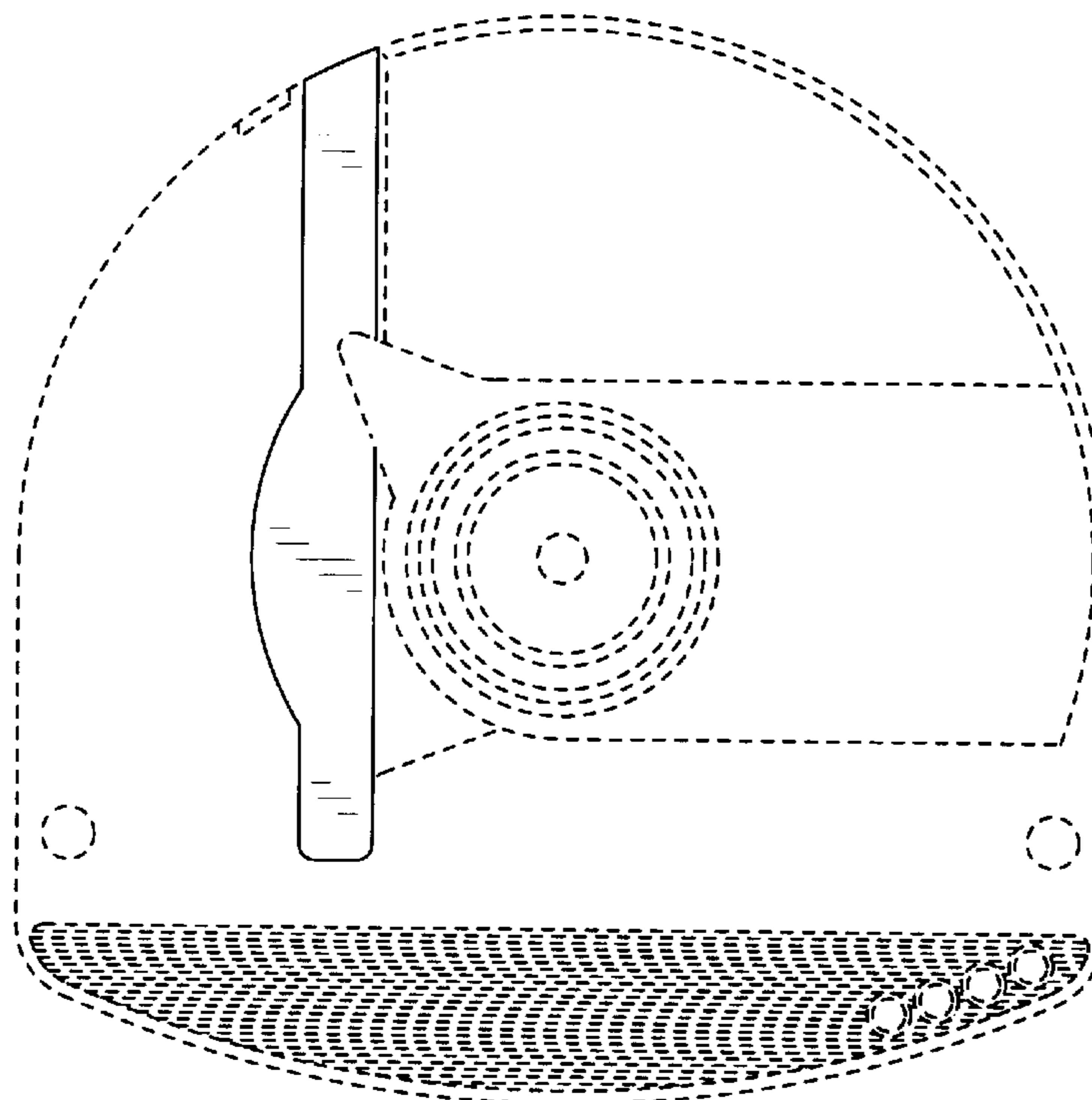
- D405,438 S * 2/1999 Nowell et al. D14/478
- D406,831 S 3/1999 Takahashi et al.
- D408,808 S * 4/1999 Nowell et al. D14/478
- D412,165 S 7/1999 Niitsu
- D430,575 S * 9/2000 Sumner et al. D14/478
- D451,099 S * 11/2001 Lee D14/435
- D473,874 S * 4/2003 Taniguchi et al. D14/435
- D474,184 S * 5/2003 Taniguchi et al. D14/435
- D474,777 S 5/2003 Niitsu

FIG. 2 is a right side elevational view thereof; and,

FIG. 3 is a top plan view thereof.

The broken line portions showing in the drawings are for illustrative purpose only and form no part of the claimed design.

1 Claim, 3 Drawing Sheets



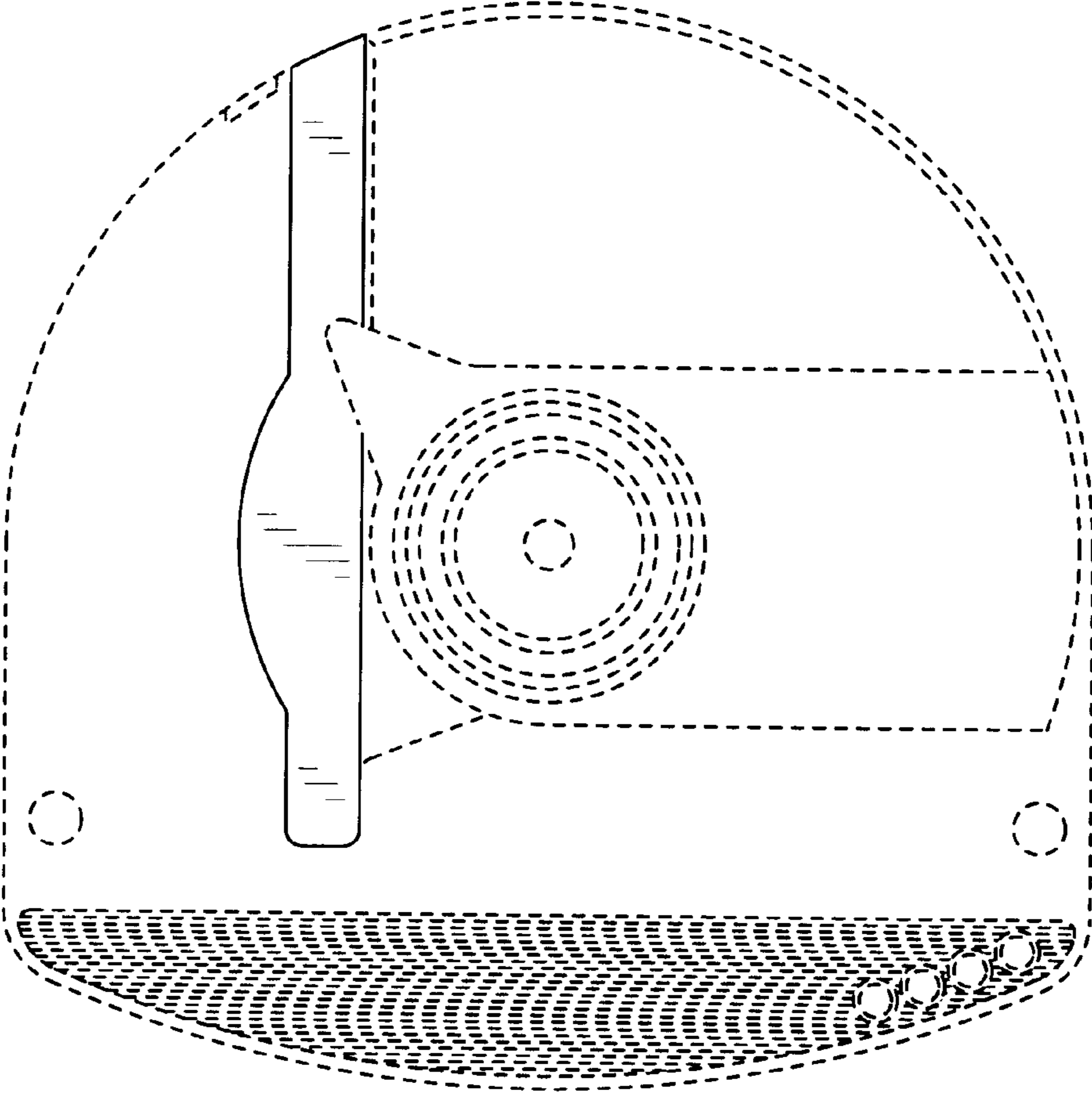


FIG. 1

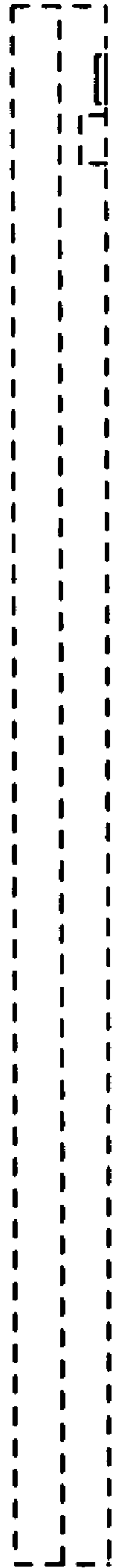


FIG. 2

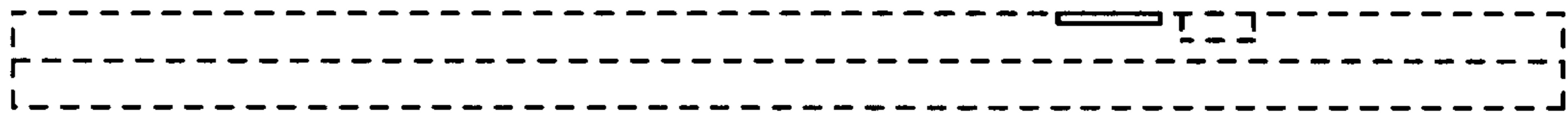


FIG. 3