



US00D498466S

(12) **United States Design Patent** (10) **Patent No.:** **US D498,466 S**  
**Stolt et al.** (45) **Date of Patent:** **\*\* Nov. 16, 2004**

(54) **BURNER CONTROL PANEL INTERFACE**

FOREIGN PATENT DOCUMENTS

(75) Inventors: **Peter E. Stolt**, Crystal, MN (US);  
**Robert D. Juntunen**, Minnetonka, MN  
(US); **Timothy F. McCarthy**,  
Plymouth, MN (US)

DE 29 42 771 \* 5/1981 ..... D13/162

\* cited by examiner

*Primary Examiner*—Robert A. Delehanty

(73) Assignee: **Honeywell International Inc.**,  
Morristown, NJ (US)

(57) **CLAIM**

An ornamental design for a burner control panel interface, as shown and described.

(\*\*) Term: **14 Years**

**DESCRIPTION**

(21) Appl. No.: **29/183,228**

FIG. 1 is a front perspective view of a first embodiment of a burner control panel interface showing our new design; FIG. 2 is a front elevation view of a second embodiment thereof;

(22) Filed: **Jun. 9, 2003**

(51) **LOC (7) Cl.** ..... **13-03**

(52) **U.S. Cl.** ..... **D13/162**

(58) **Field of Search** ..... D13/162, 169,  
D13/172; D23/329, 386, 388, 499; 200/5 R,  
6 R, 553, 296, 315, 339; 110/185; 373/135,  
166; 236/1 A, 11, 15 B, 15 BA, 15 BB

FIG. 3 is a cross sectional view taken along line 3—3 in FIGS. 1, 4 and 6 thereof;

FIG. 4 is a front perspective view of a third embodiment thereof;

FIG. 5 is a front elevation view of a fourth embodiment thereof; and

FIG. 6 is a front elevation view of a fifth embodiment thereof.

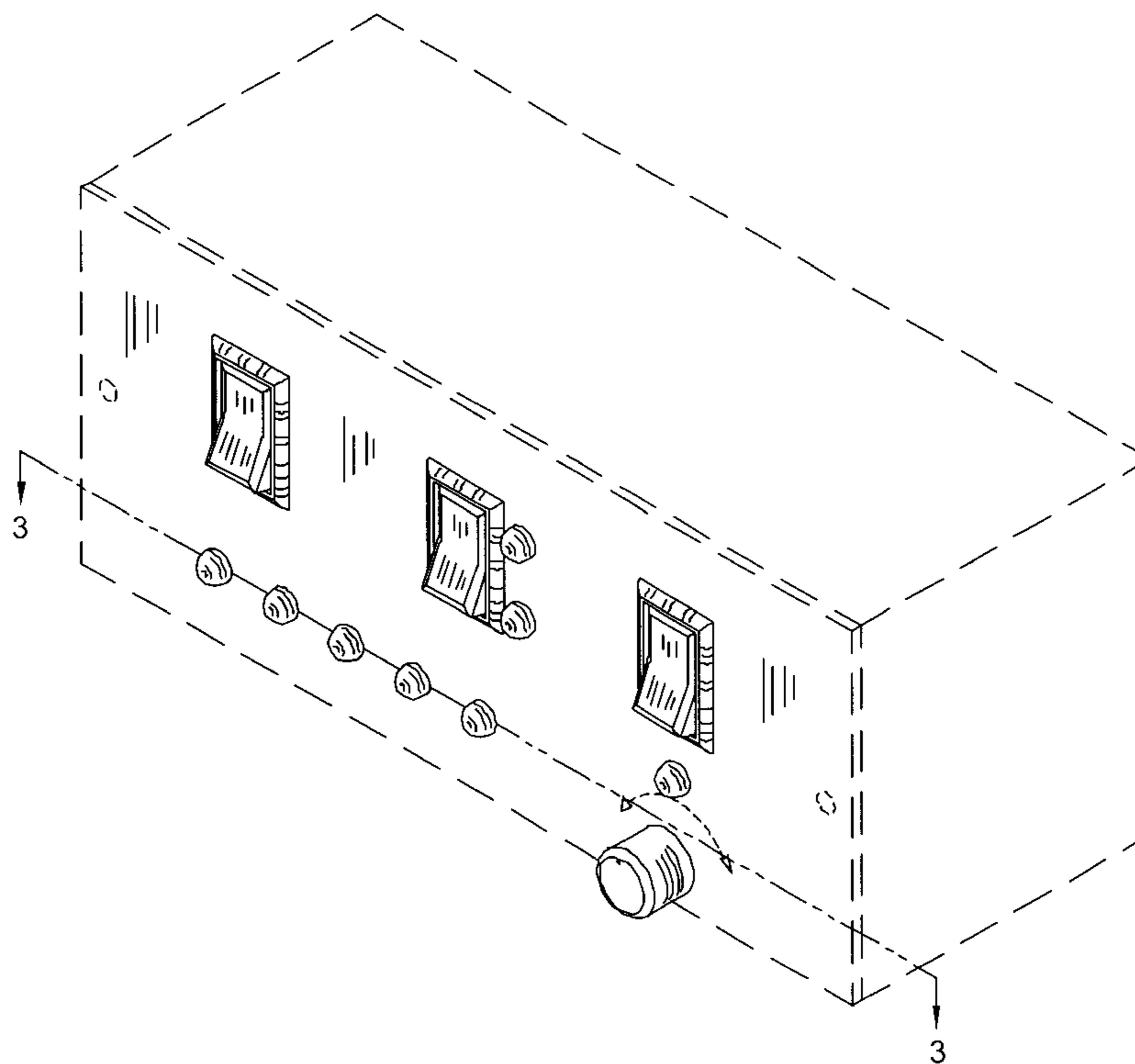
(56) **References Cited**

U.S. PATENT DOCUMENTS

D272,446 S \* 1/1984 Dellecave et al. .... D13/169  
D282,462 S \* 2/1986 Hart ..... D13/169  
D283,539 S \* 4/1986 Purkapile ..... D13/162  
D303,655 S \* 9/1989 Gonzales et al. .... D13/162  
D322,597 S \* 12/1991 Gaalswyk ..... D13/162  
D457,502 S \* 5/2002 Sykes et al. .... D13/162  
D458,229 S \* 6/2002 Albrecht et al. .... D13/162

The broken lines showing of the rear portion of the control box and the indicia on the panel are for illustrative purposes only and form no part of the claimed design. The broken line circumscribing the plane of the control panel defines the bounds of the claimed design and forms no part thereof.

**1 Claim, 6 Drawing Sheets**



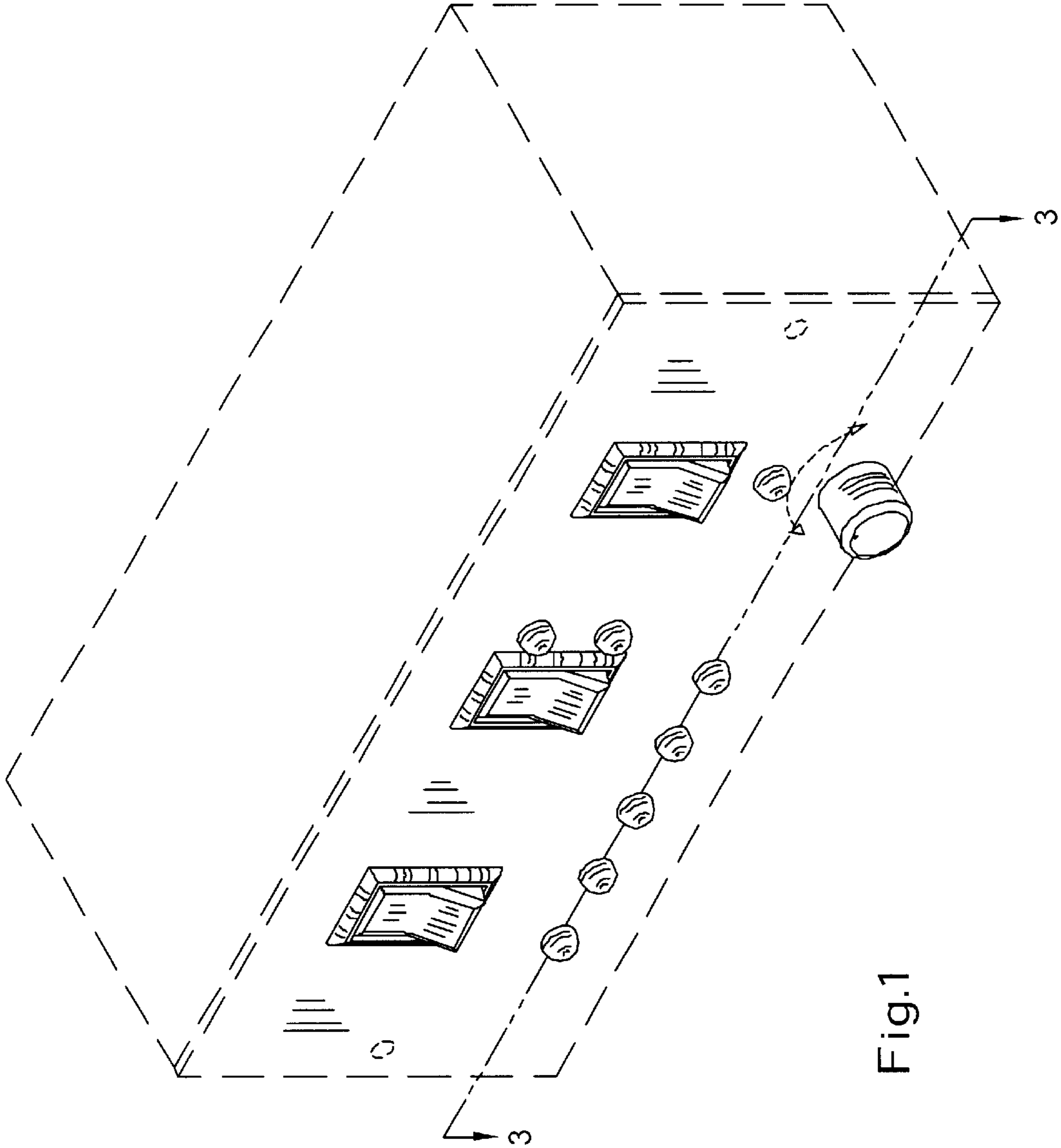


Fig.1

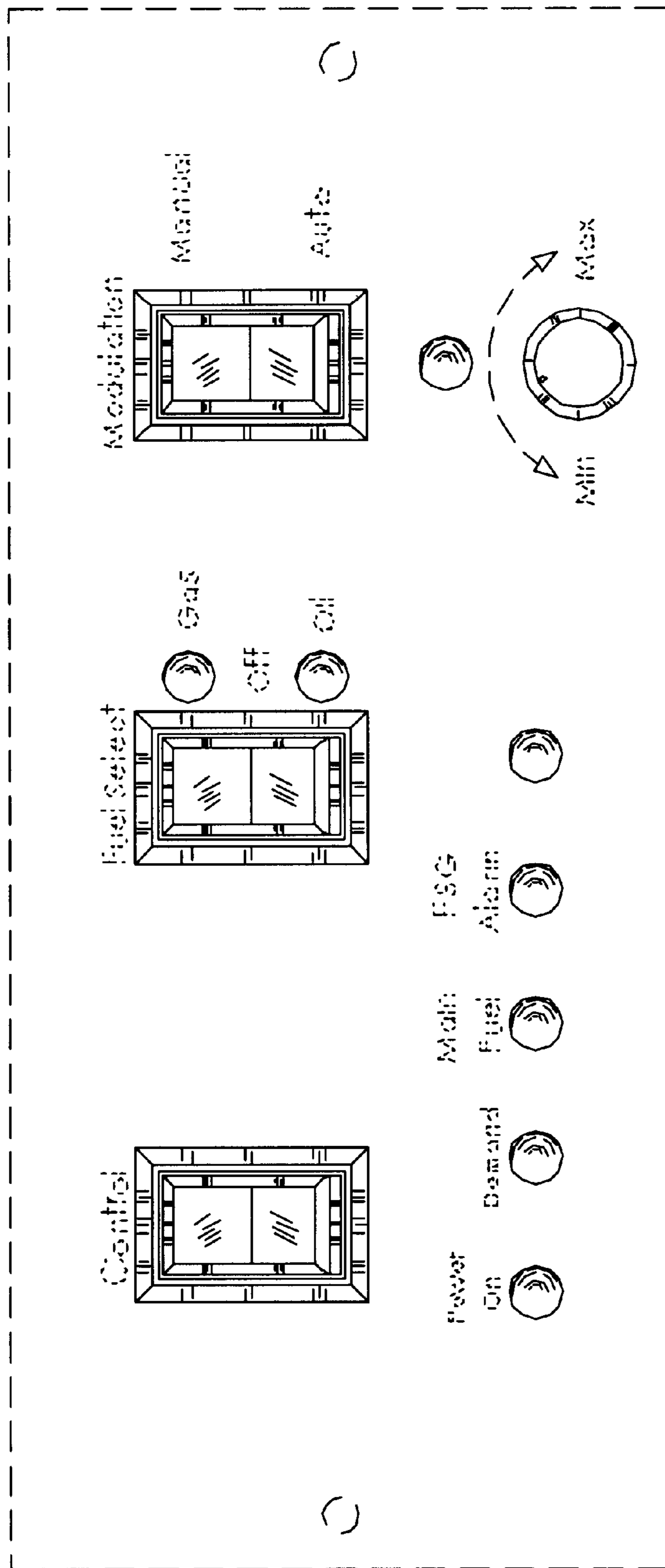


Fig.2

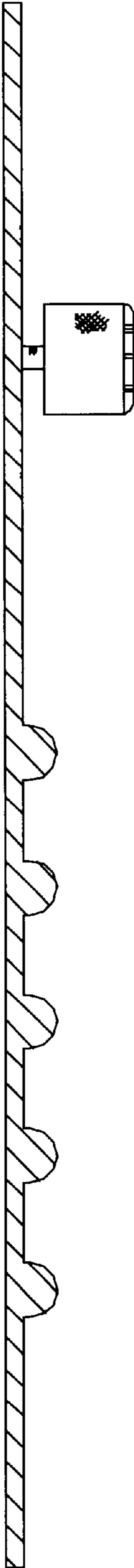


Fig.3

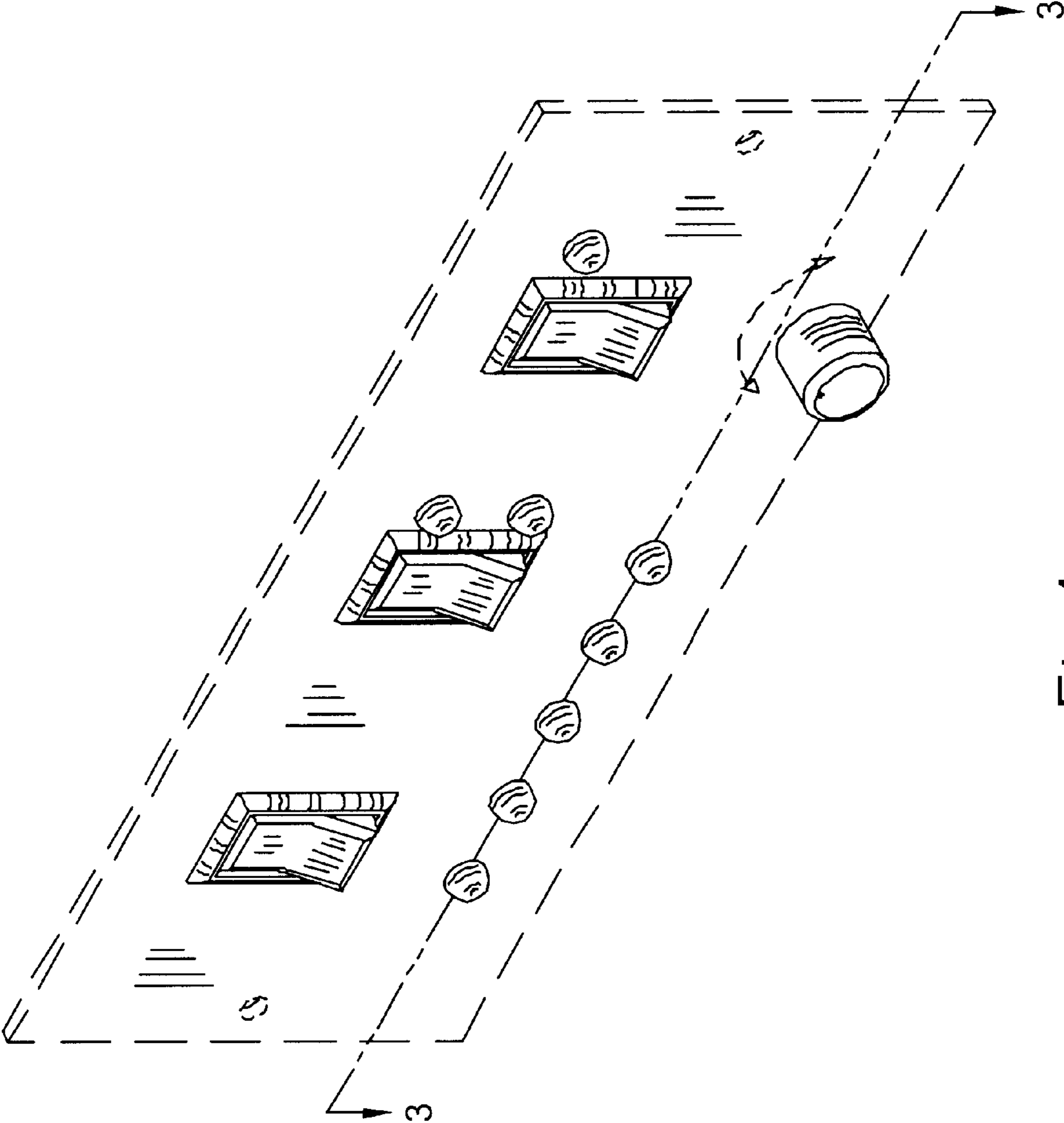


Fig.4

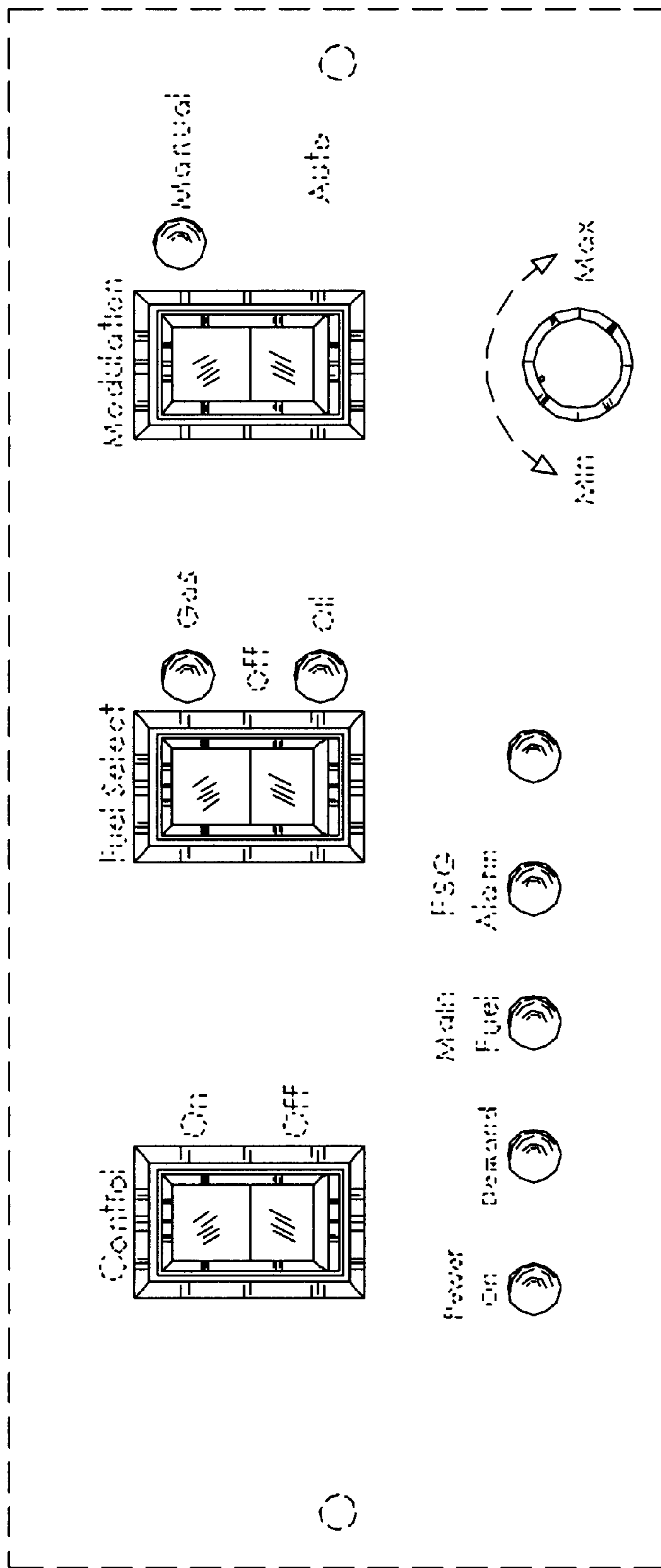


Fig.5

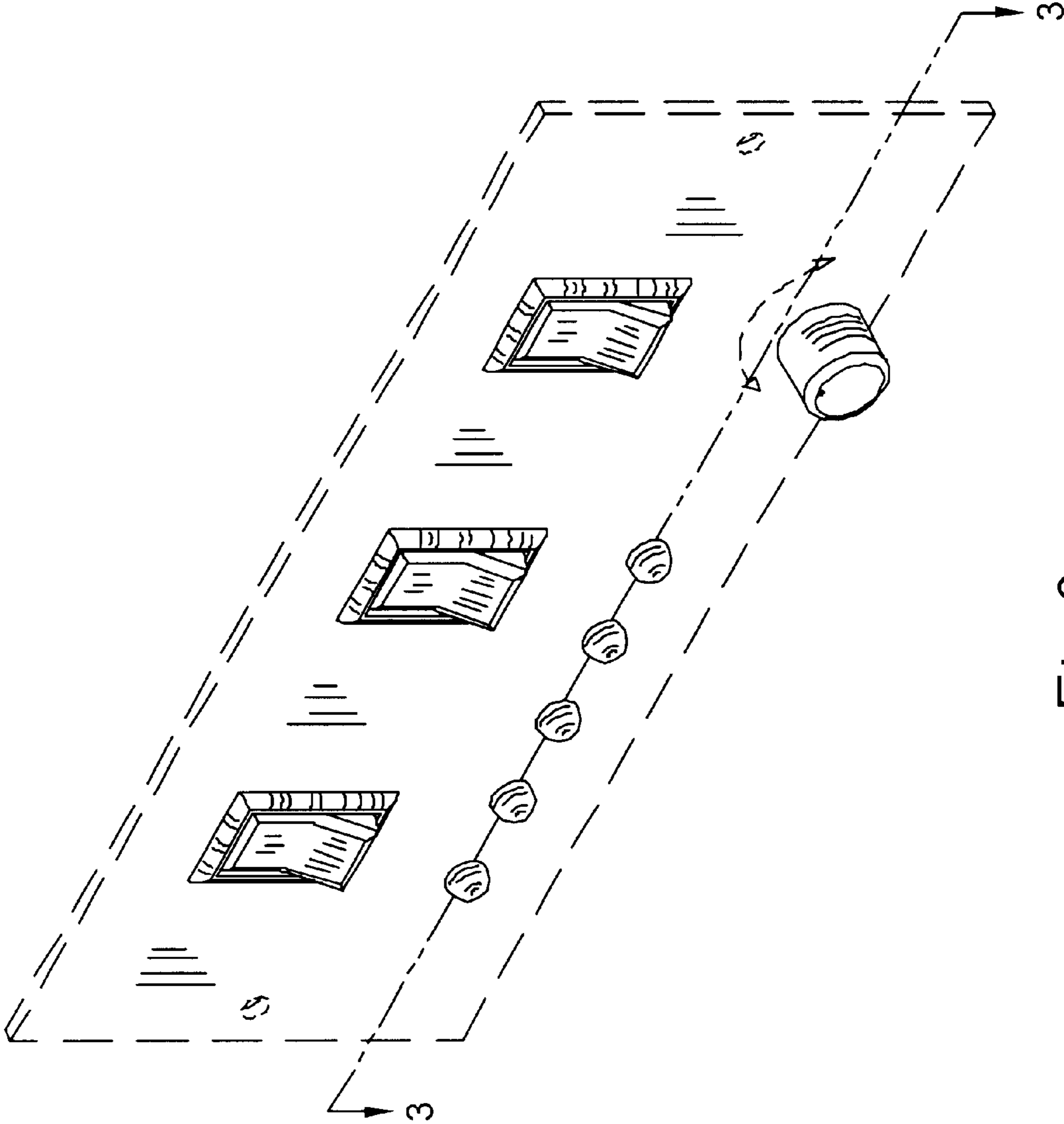


Fig.6