

US00D498465S

(12) **United States Design Patent**
Kim

(10) **Patent No.:** **US D498,465 S**

(45) **Date of Patent:** **** Nov. 16, 2004**

(54) **CIRCUIT BREAKER FOR PROTECTING MOTOR**

(75) **Inventor:** **Ho Seong Kim**, Chungcheongbuk-do (KR)

(73) **Assignee:** **LG Industrial Systems Co., Ltd.**, Seoul (KR)

(**) **Term:** **14 Years**

(21) **Appl. No.:** **29/180,030**

(22) **Filed:** **Apr. 18, 2003**

(30) **Foreign Application Priority Data**

Nov. 5, 2002 (KR) 30-2002-0031508

(51) **LOC (7) Cl.** **13-03**

(52) **U.S. Cl.** **D13/160**

(58) **Field of Search** D13/137.3, 159, D13/160, 162.1, 178; 200/17 R, 58.26, 144 R, 147 R, 244, 304, 307, 318, 408, 401, 552; 218/157; 335/13, 16, 20, 35, 172, 167, 202; 361/93.3, 115, 173, 652, 673

(56) **References Cited**

U.S. PATENT DOCUMENTS

4,713,728 A * 12/1987 Raabe et al. 361/652

D315,333 S * 3/1991 Barbier et al. D13/160
D319,627 S * 9/1991 Smith et al. D13/160
D359,948 S * 7/1995 Merlin D13/160
D406,262 S * 3/1999 Gonser D13/160
D442,146 S * 5/2001 Greenberg et al. D13/160
6,396,370 B2 * 5/2002 Leone et al. 335/35
6,459,059 B1 * 10/2002 Greenberg et al. 200/401

* cited by examiner

Primary Examiner—Stella Reid

Assistant Examiner—Selina A Sikder

(74) *Attorney, Agent, or Firm*—Birch, Stewart, Kolasch & Birch, LLP

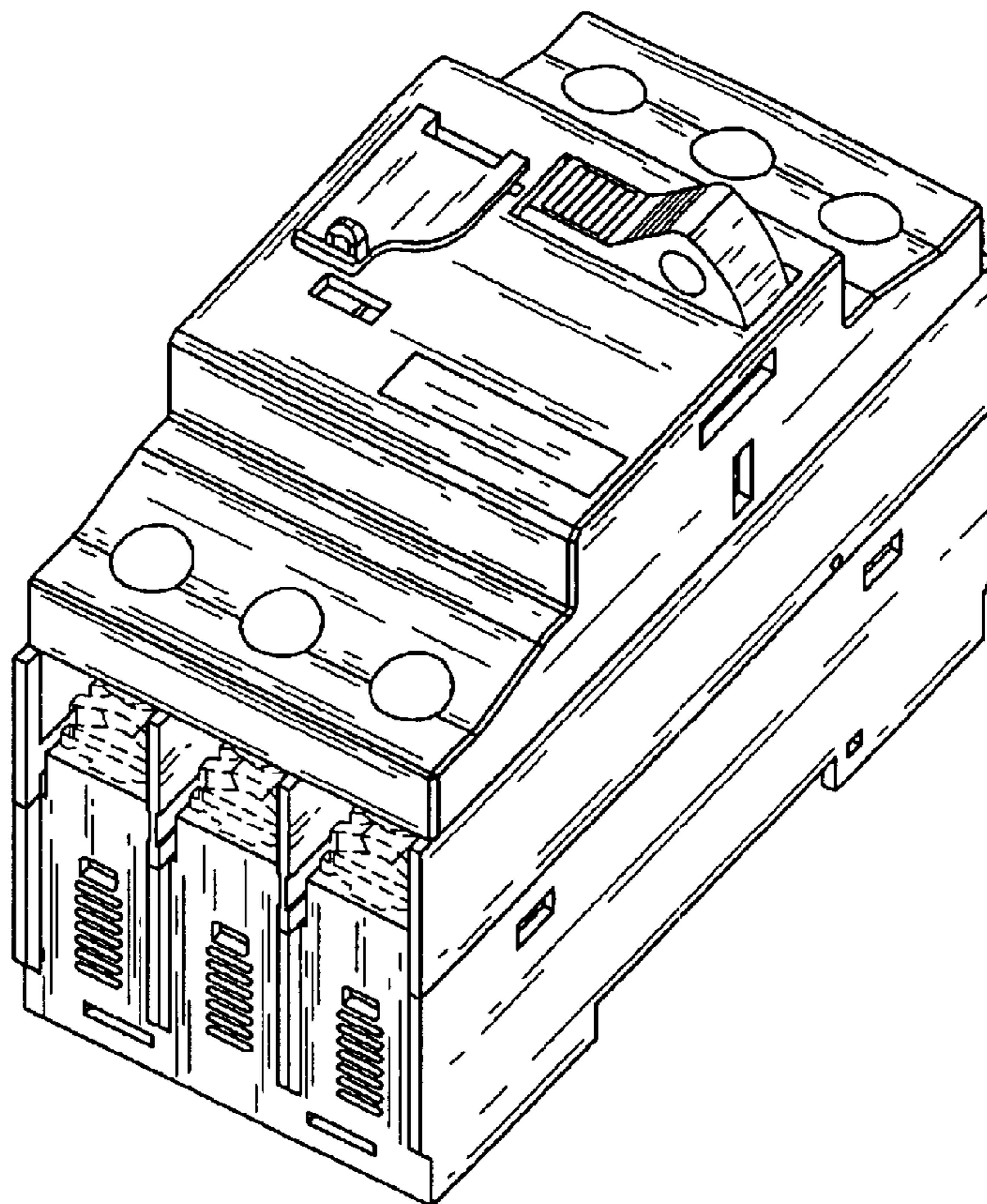
(57) **CLAIM**

The ornamental design for < a circuit breaker for protecting motor >, as shown and described.

DESCRIPTION

FIG. 1 is a perspective view of < a circuit breaker for protecting motor > showing the new design; FIG. 2 is a front elevation view thereof; FIG. 3 is a rear elevation view thereof; FIG. 4 is a left-side elevation view thereof; FIG. 5 is a right-side elevation view thereof; FIG. 6 is a top plan view thereof; and, FIG. 7 is a bottom plan view thereof.

1 Claim, 4 Drawing Sheets



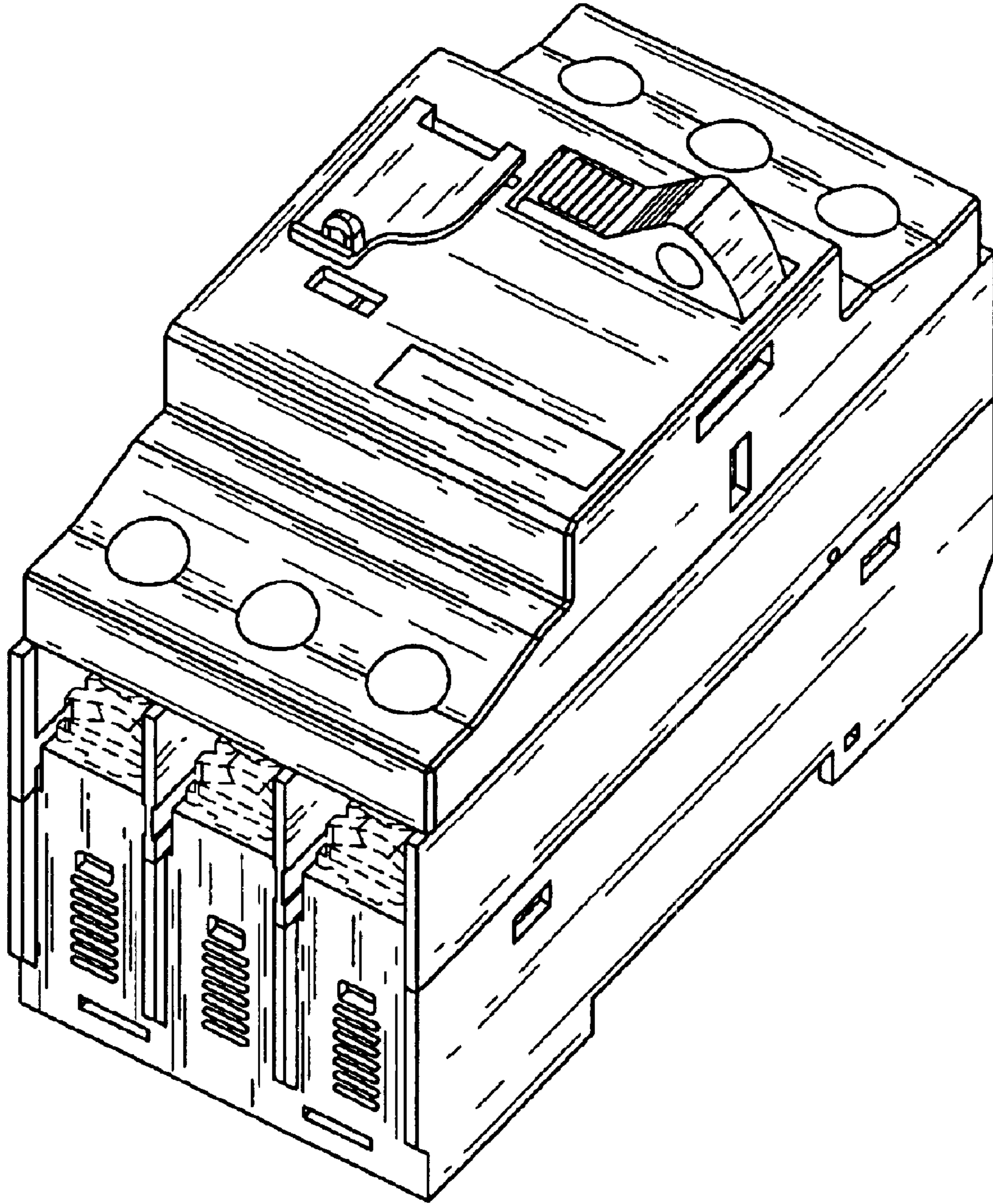


FIG. 1

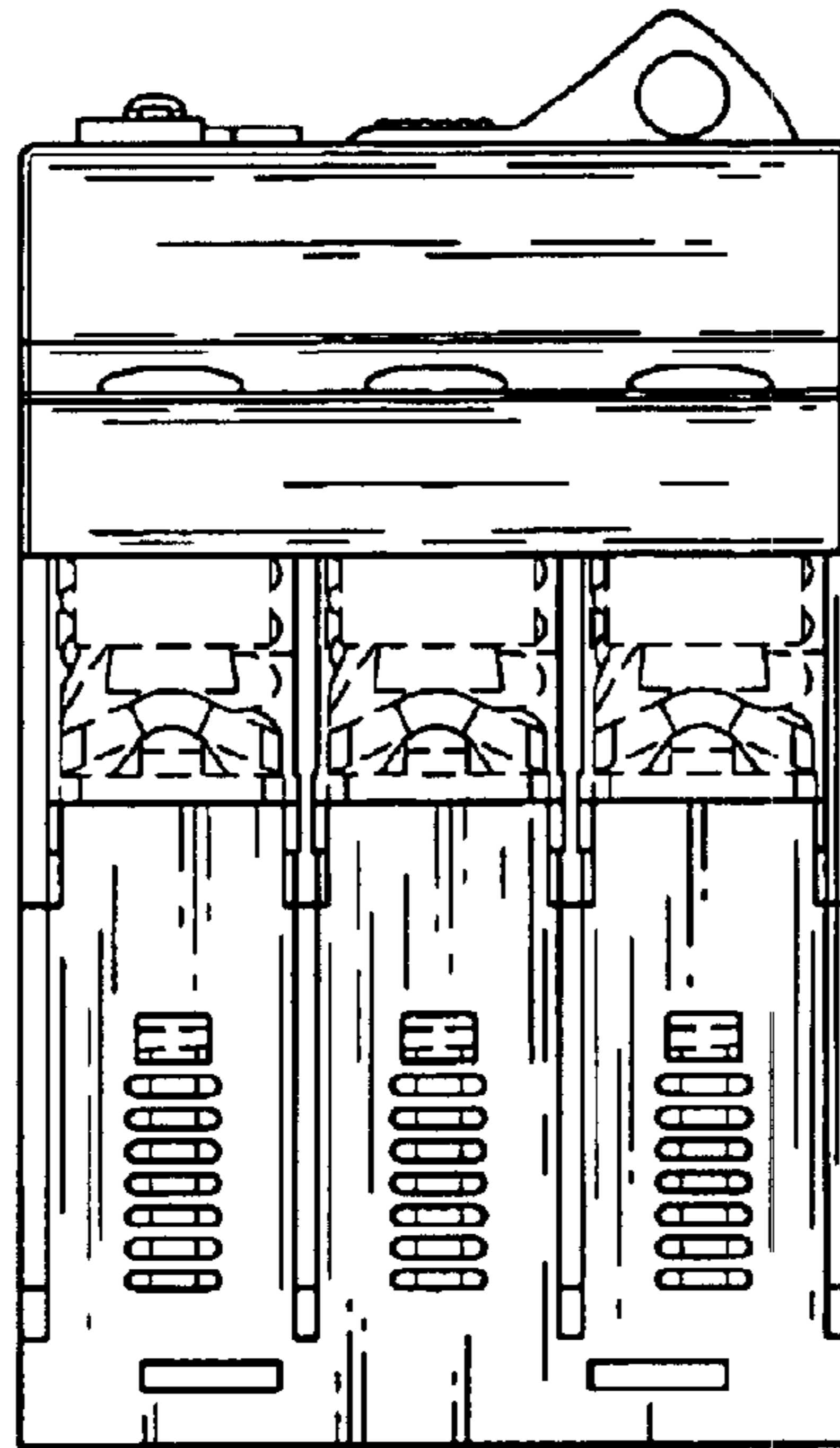


FIG. 2

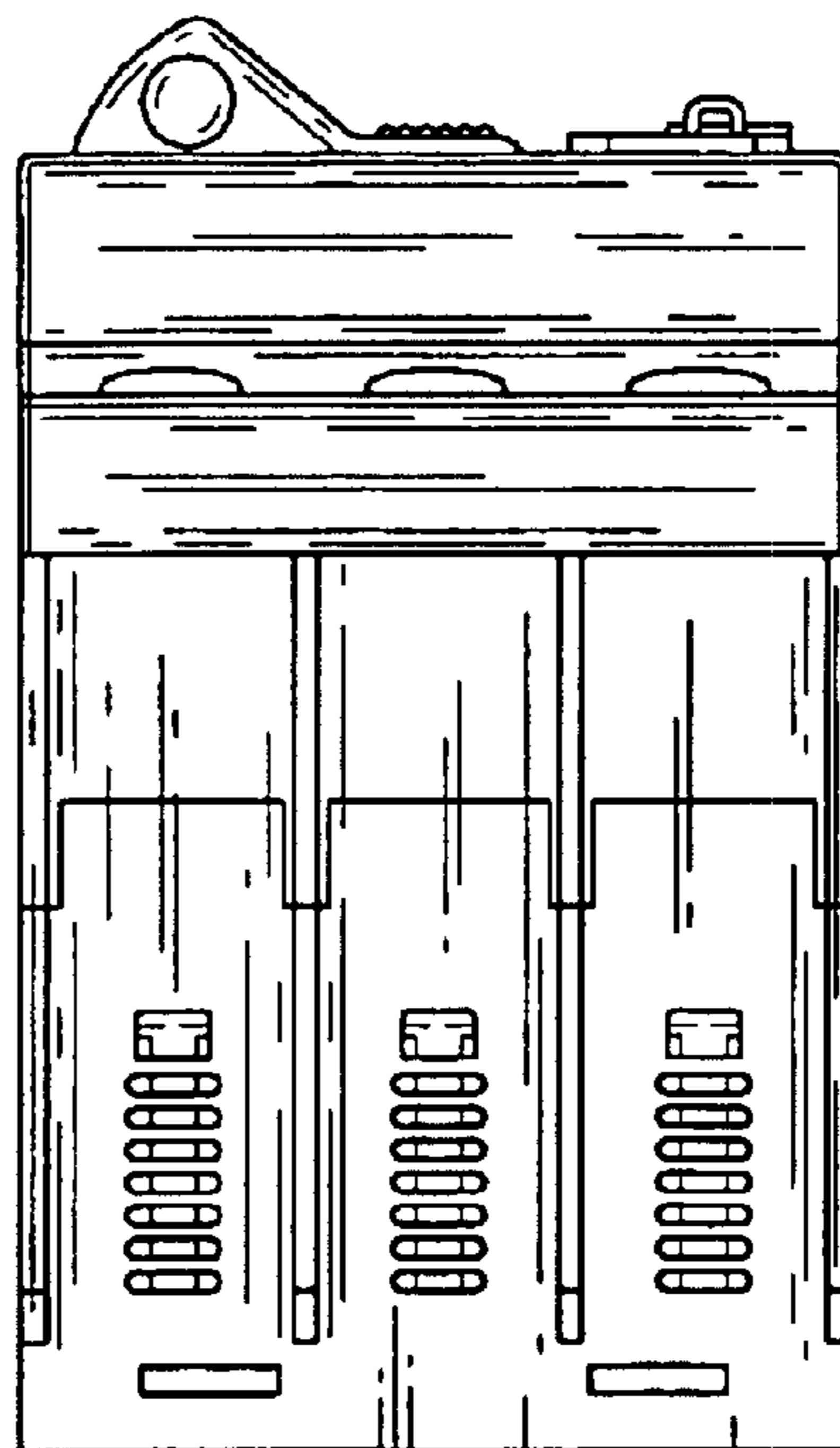


FIG. 3

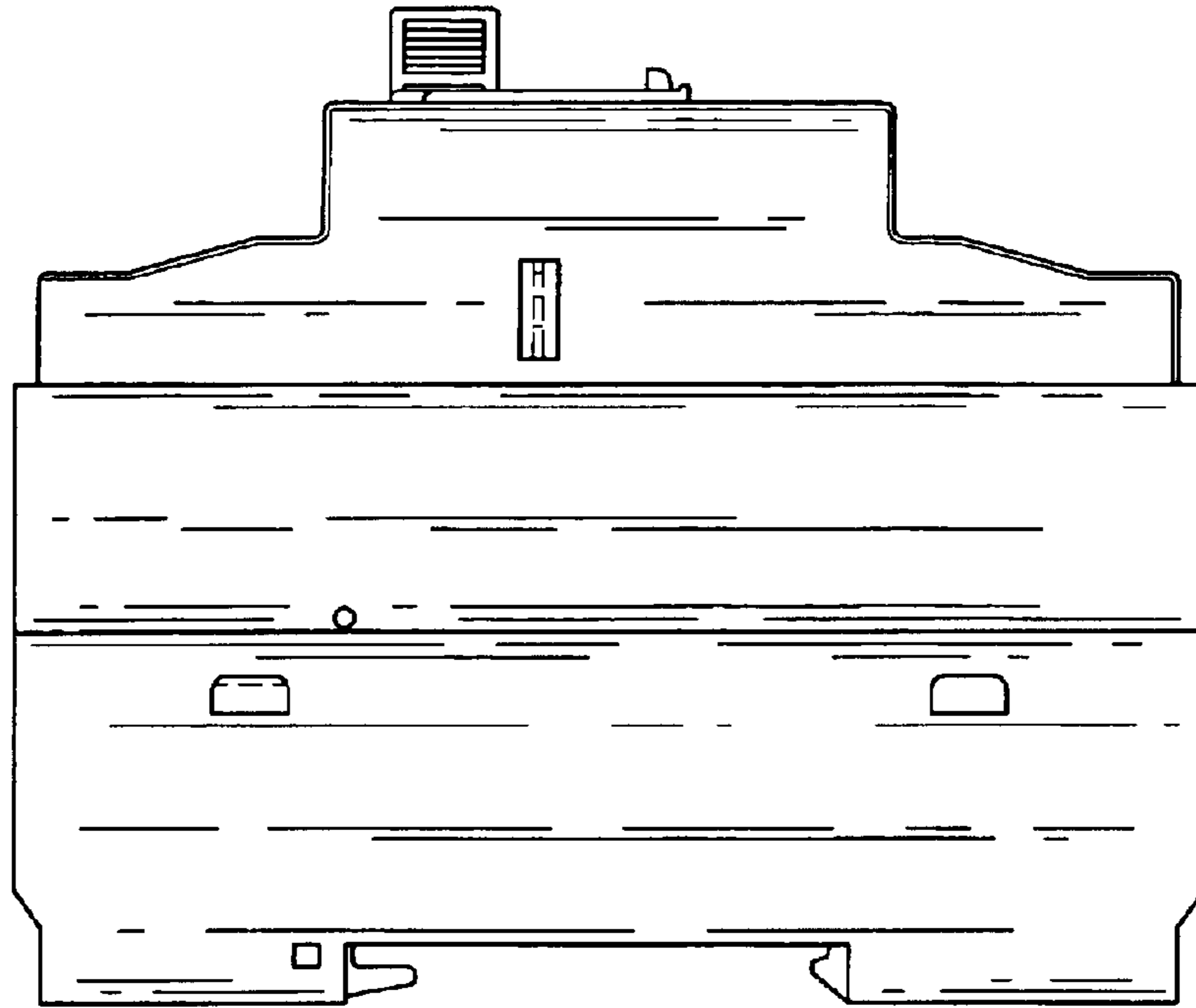


FIG. 4

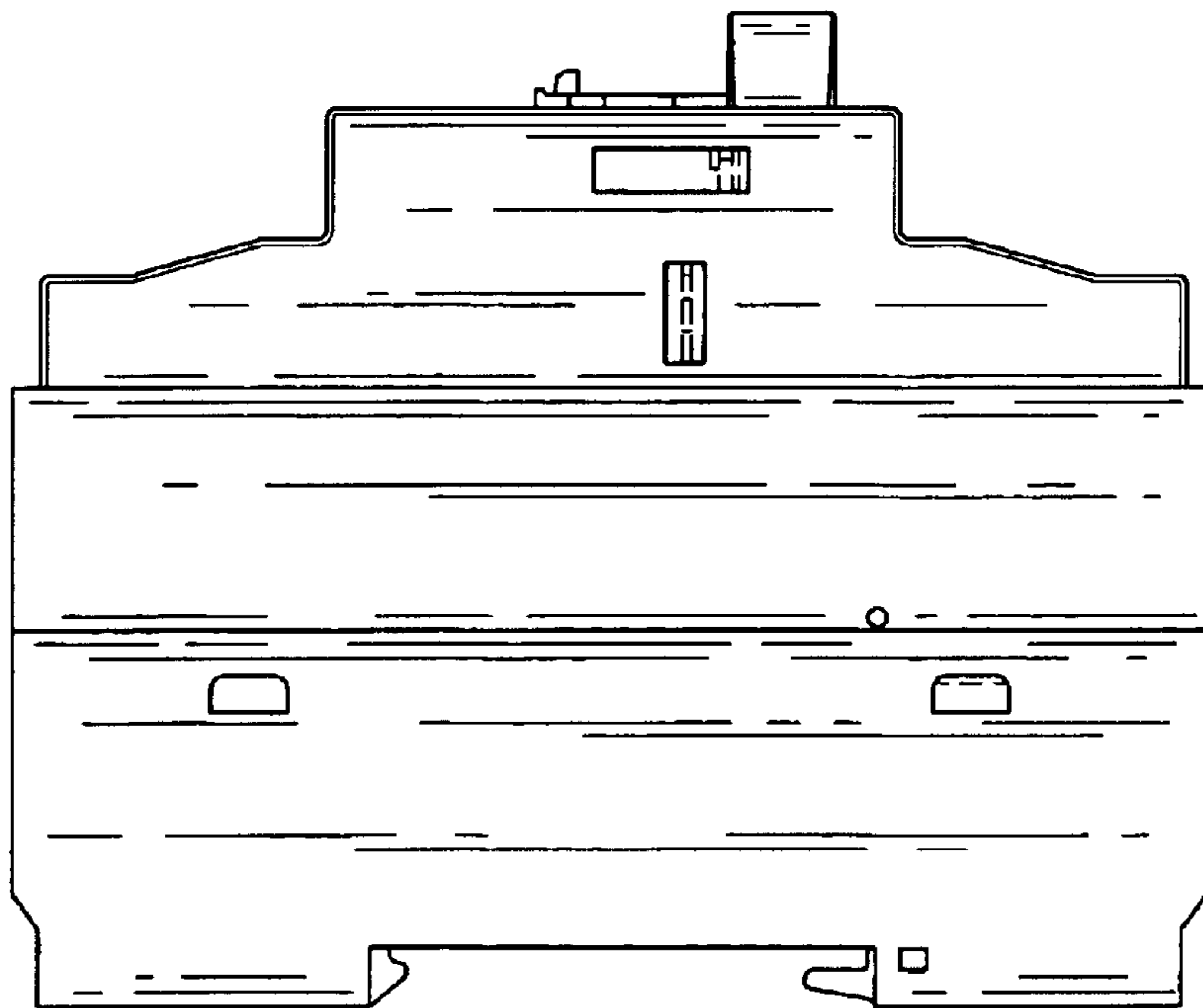


FIG. 5

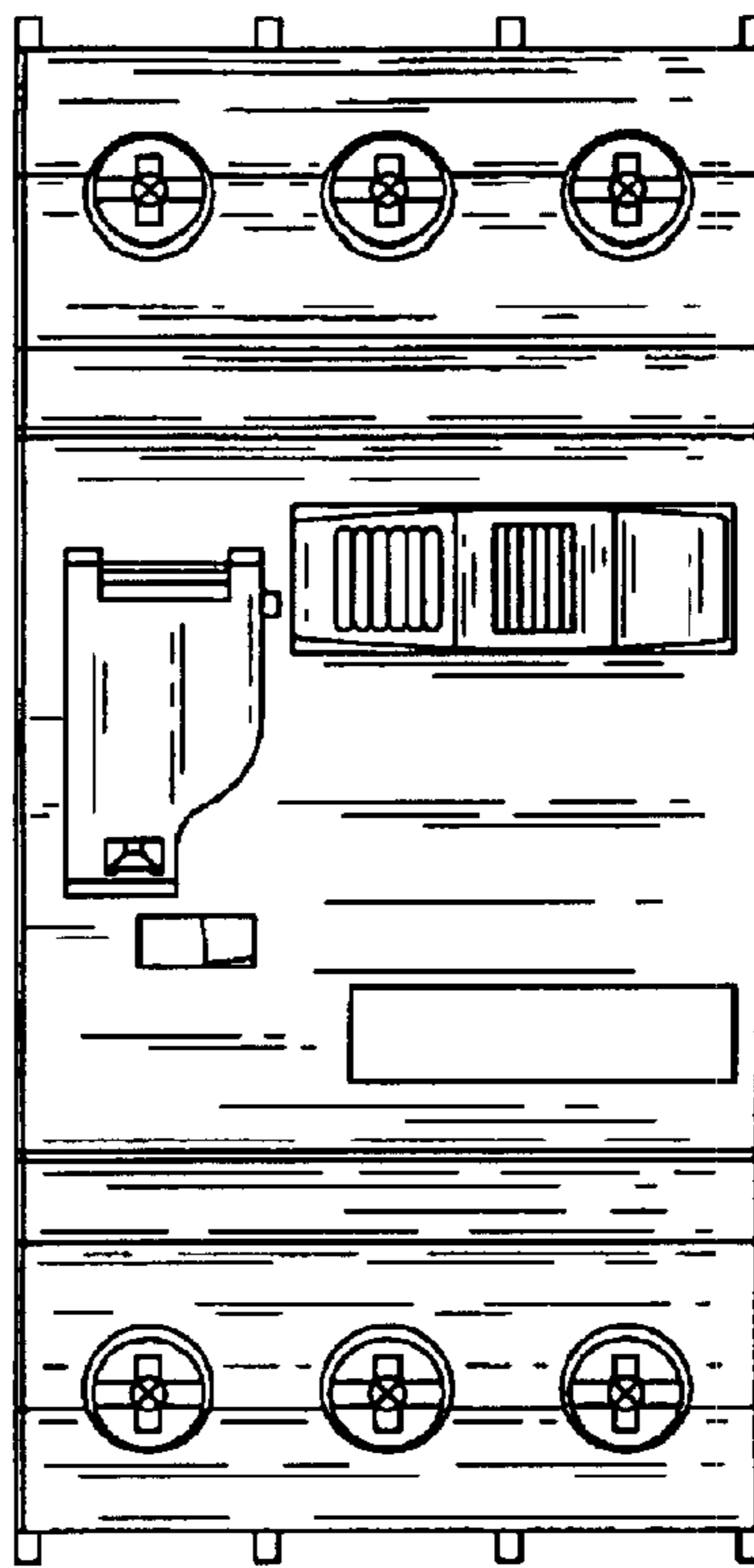


FIG. 6

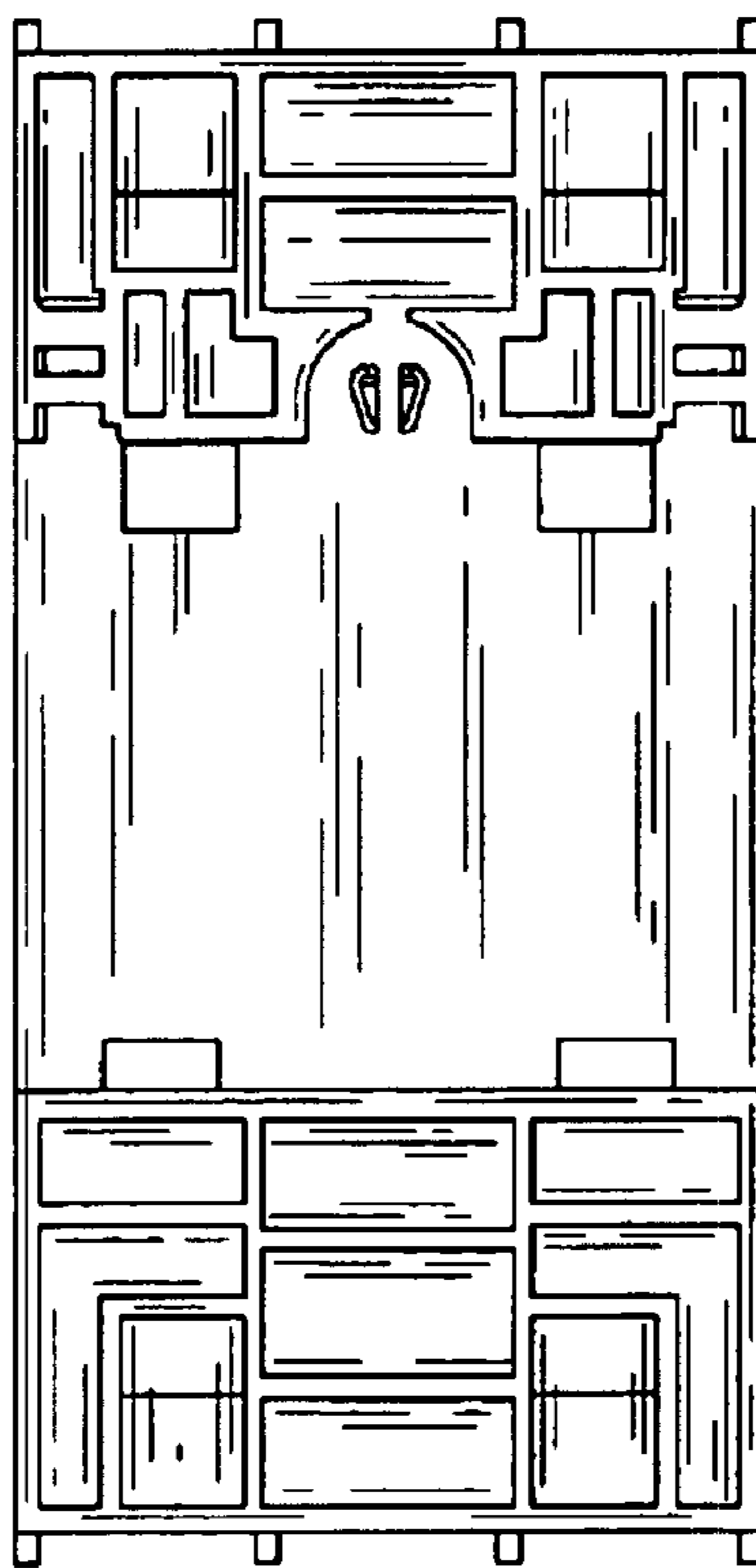


FIG. 7