

US00D498462S

(12) **United States Design Patent** (10) **Patent No.:** **US D498,462 S**  
**Andre et al.** (45) **Date of Patent:** **\*\* Nov. 16, 2004**

(54) **ADAPTER PLUG**

(75) Inventors: **Bartley K. Andre**, Menlo Park, CA (US); **Daniel J. Coster**, San Francisco, CA (US); **Daniele De Iuliis**, San Francisco, CA (US); **Richard P. Howarth**, San Francisco, CA (US); **Jonathan P. Ive**, San Francisco, CA (US); **Steve Jobs**, Palo Alto, CA (US); **Duncan Robert Kerr**, San Francisco, CA (US); **Matthew Dean Rohrbach**, San Francisco, CA (US); **Douglas B. Satzger**, San Carlos, CA (US); **Calvin Q. Seid**, Palo Alto, CA (US); **Christopher J. Stringer**, Pacifica, CA (US); **Eugene Anthony Whang**, San Francisco, CA (US)

(73) Assignee: **Apple Computer, Inc.**, Cupertino, CA (US)

(\*\*) Term: **14 Years**

(21) Appl. No.: **29/153,988**

(22) Filed: **Oct. 22, 2001**

**Related U.S. Application Data**

(63) Continuation-in-part of application No. 29/145,957, filed on Jul. 31, 2001, now Pat. No. Des. 478,310.

(51) **LOC (7) Cl.** ..... **13-03**

(52) **U.S. Cl.** ..... **D13/146; D13/138.2**

(58) **Field of Search** ..... **D13/138.2, 146, D13/110; 439/105, 106; 336/92; 363/146**

(56) **References Cited**

**U.S. PATENT DOCUMENTS**

3,382,355	A	*	5/1968	Prifogle et al.	.....	439/105	X
3,609,630	A	*	9/1971	Francis	.....	439/106	
5,019,767	A		5/1991	Shirai et al.			
D383,115	S		9/1997	Nagele et al.			
5,684,689	A		11/1997	Hahn			
6,086,395	A		7/2000	Lloyd et al.			

**FOREIGN PATENT DOCUMENTS**

GB	2060283	A	*	10/1980	.....	H01R/13/504
GB	2056189	A	*	3/1981	.....	H01R/4/70
GB	2082852	A	*	3/1982	.....	H01R/13/44
GB	2033323		*	of 1993		
GB	2334829	A	*	9/1999	.....	H01R/13/44
GB	2085449		*	10/1999		

**OTHER PUBLICATIONS**

U.S. design patent application No. 29/145,957, by Andre et al., entitled "Power Adapter," filed Oct. 22, 2001.

U.S. design patent application No. 29/153,133, by Andre et al., entitled "Power Adapter," filed Oct. 22, 2001.

U.S. design patent application No. 29/159,757, by Andre et al., entitled "Adapter," filed Apr. 24, 2002.

\* cited by examiner

*Primary Examiner*—Joel Sincavage

(74) *Attorney, Agent, or Firm*—Beyer Weaver & Thomas, LLP

(57) **CLAIM**

We claim the ornamental design for an adapter plug, substantially as shown and described.

**DESCRIPTION**

FIG. 1 is a perspective view of an adapter plug in accordance with the present design.

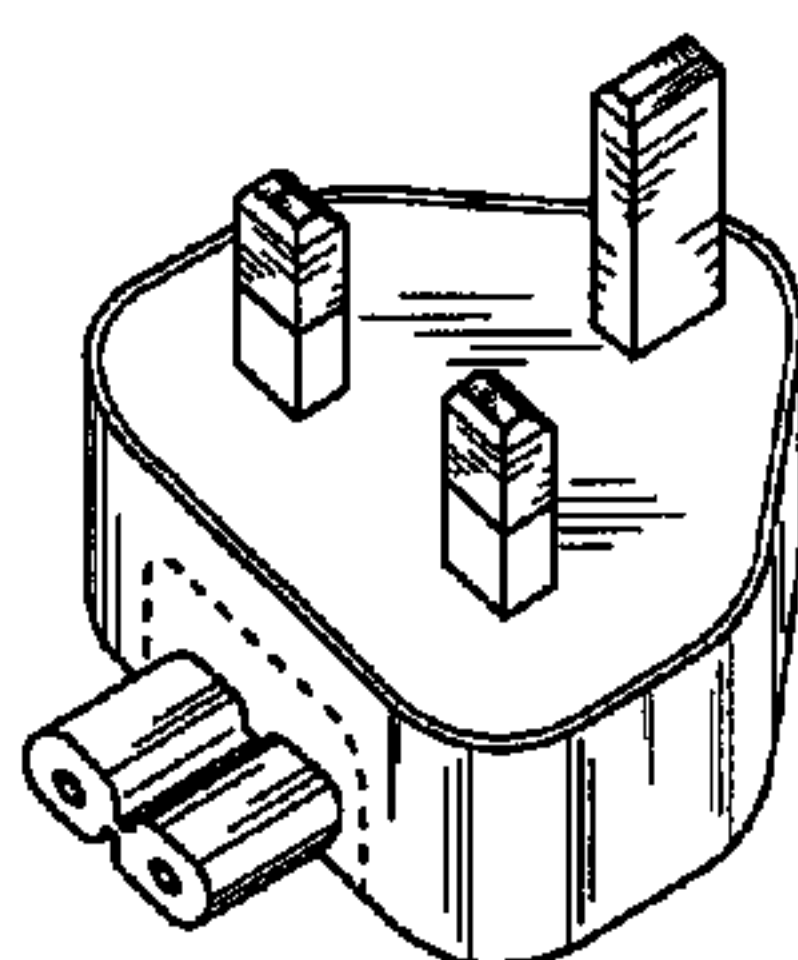
FIG. 2 is a top view for the adapter plug shown in FIG. 1. FIG. 3 is a bottom view for the adapter plug shown in FIG. 1.

FIG. 4 is a perspective view of the adapter plug shown in FIG. 1 detached from a power adapter; and,

FIG. 5 is a perspective view of the adapter plug shown in FIG. 1 attached to a power adapter.

The broken lines in FIGS. 1 and 3 are included for the purpose of illustrating a portion of the plug that forms no part of the claimed design. The broken lines showing the power adapter in FIGS. 4 and 5 are included for the purpose of illustrating environmental structure only and form no part of the claimed design.

**1 Claim, 3 Drawing Sheets**



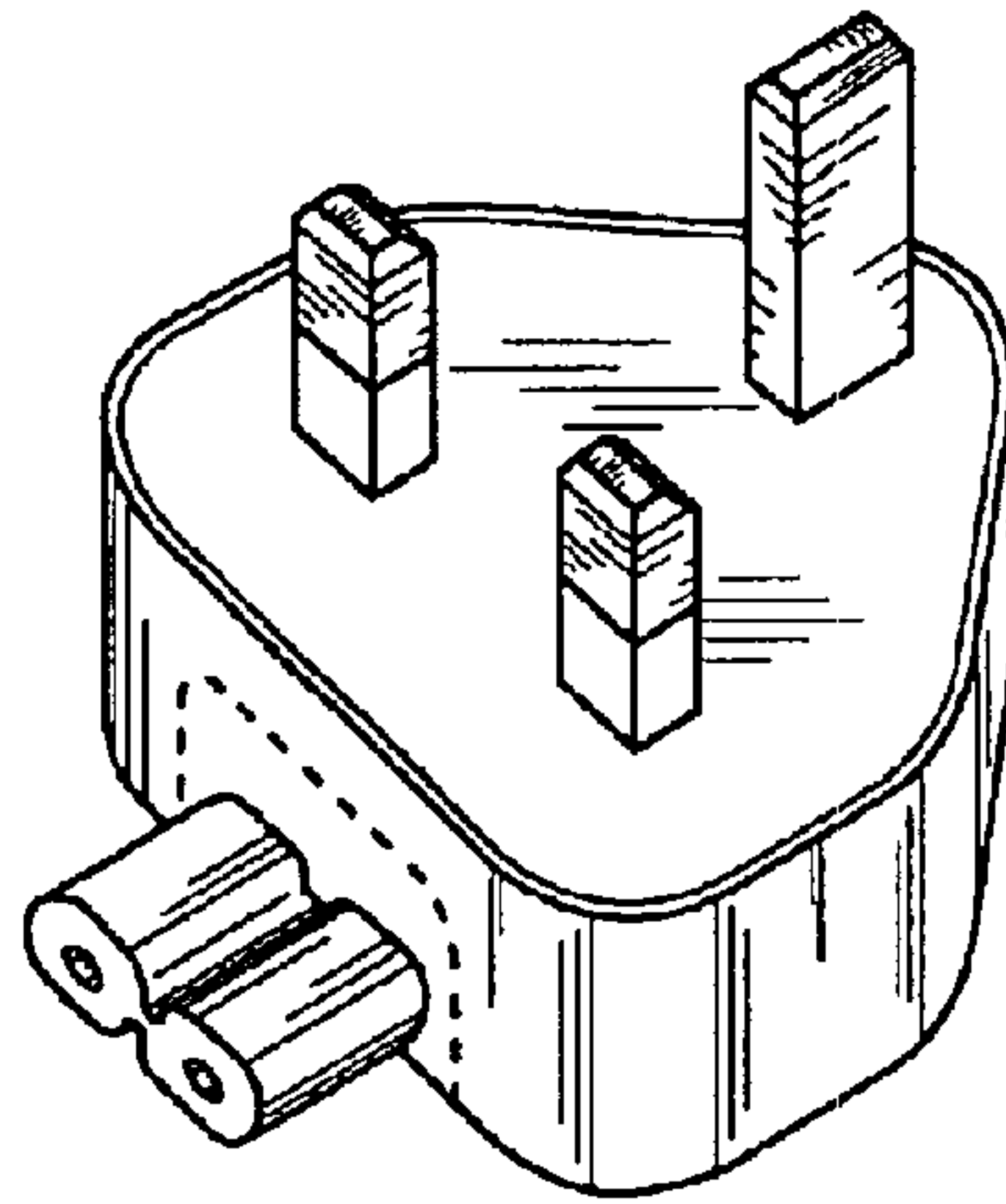


FIG. 1

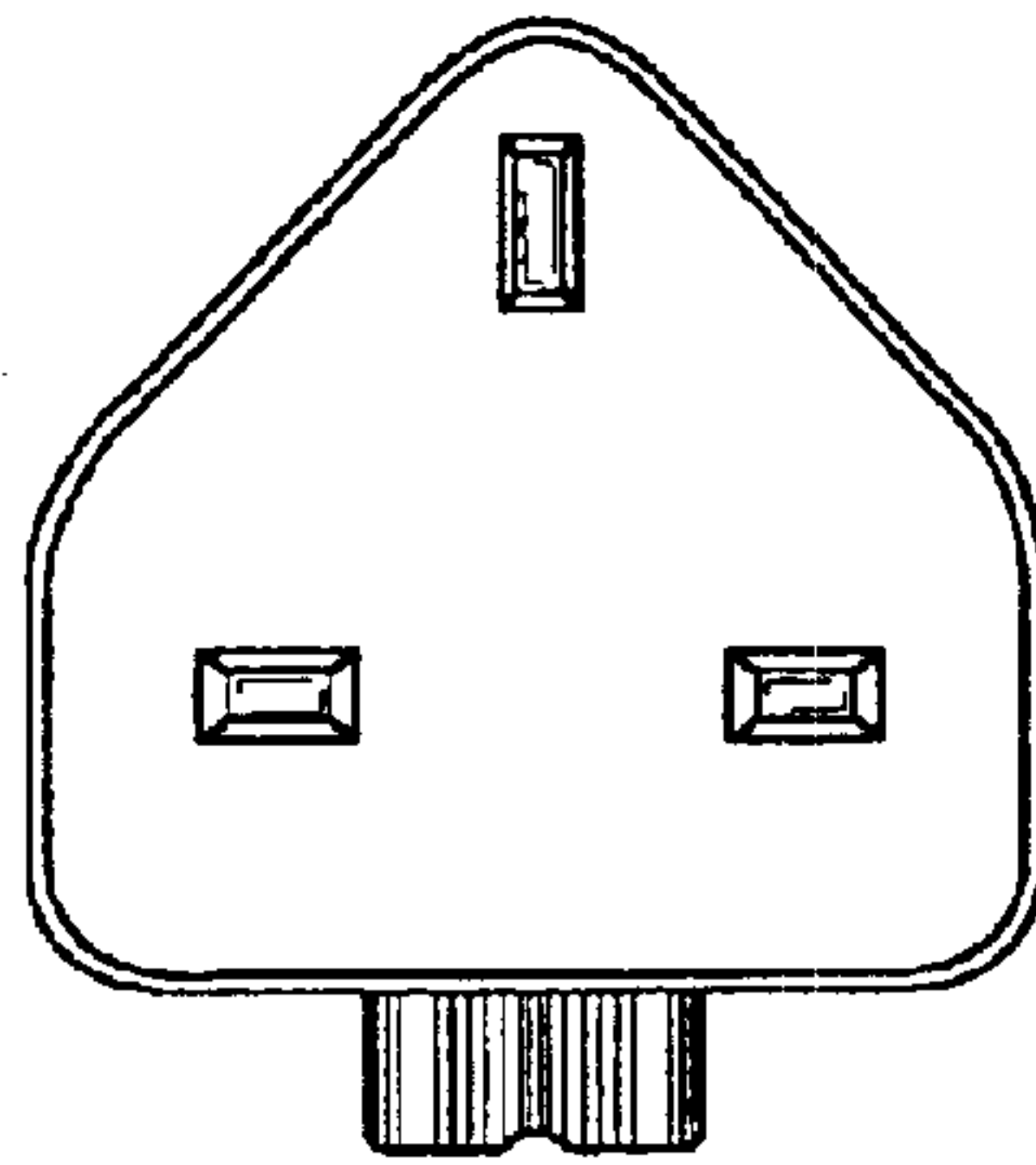


FIG. 2

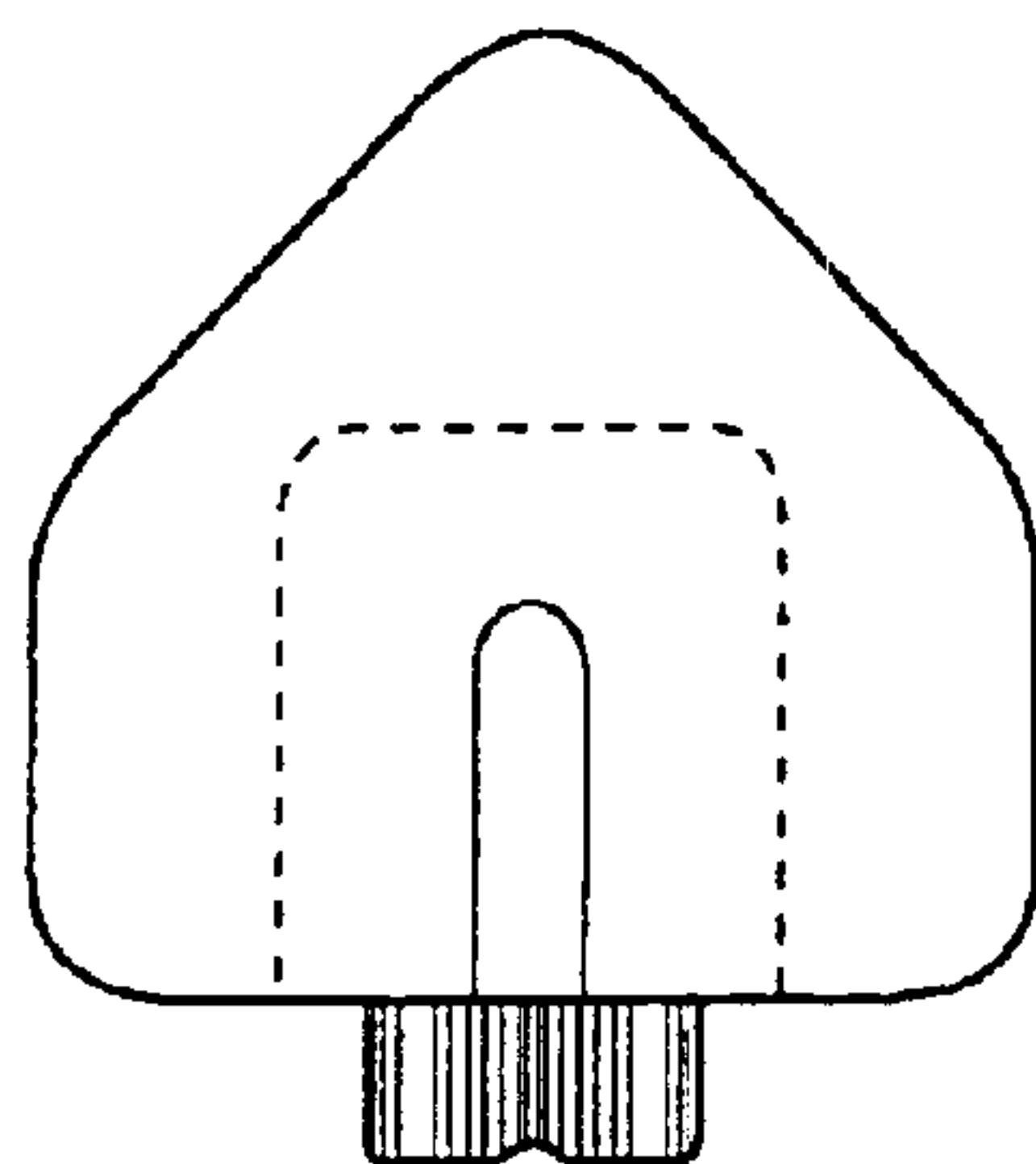


FIG. 3

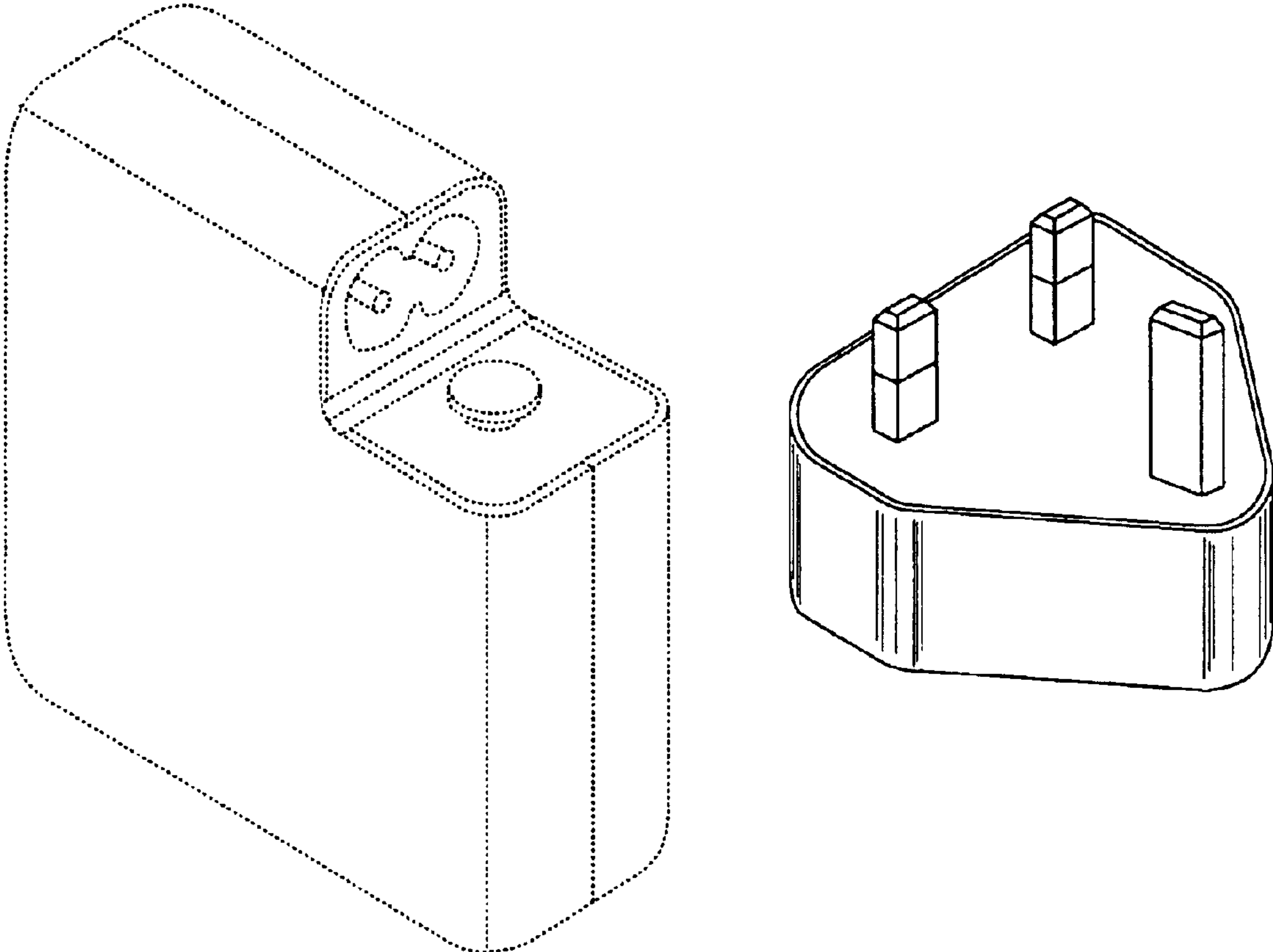


FIG. 4

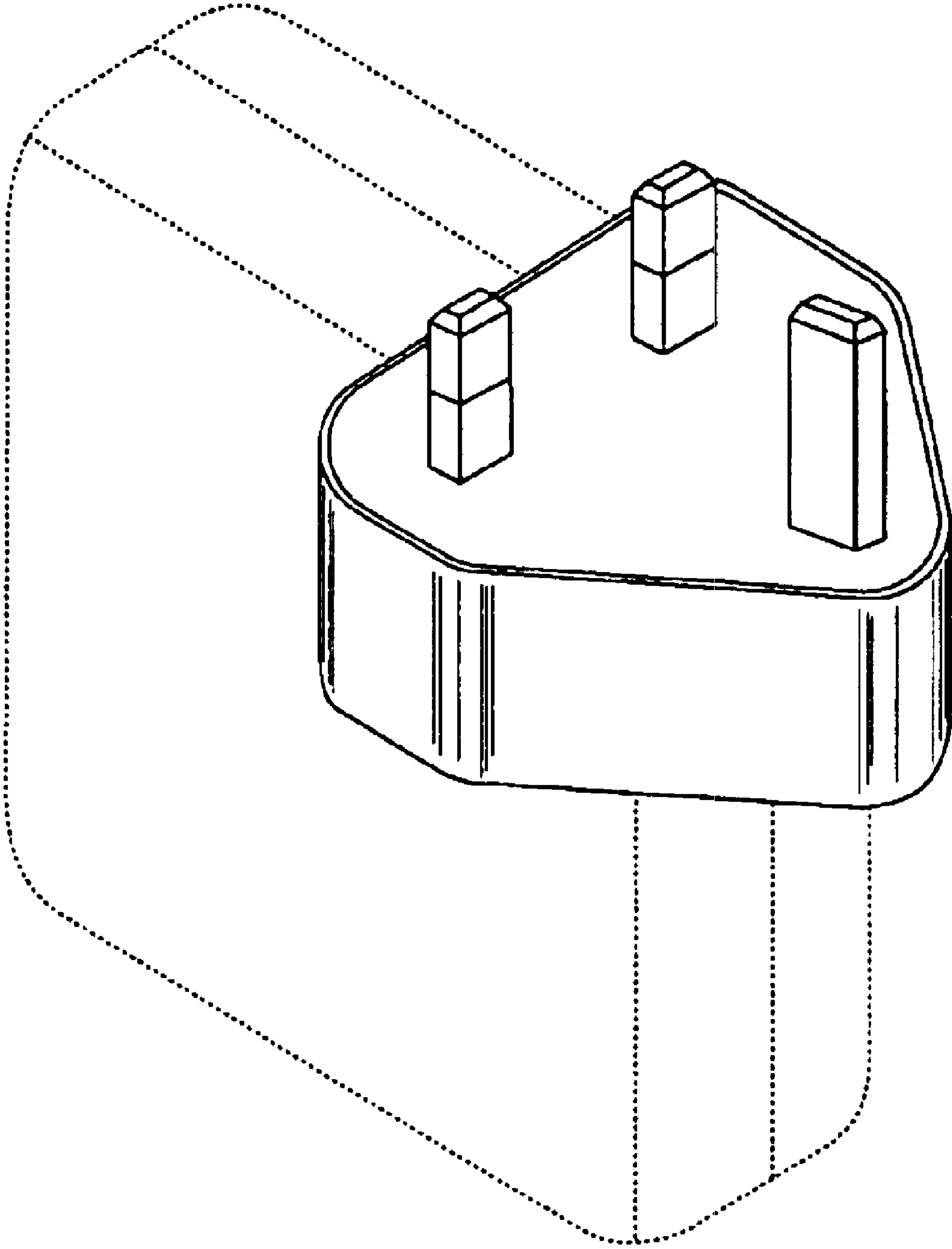


FIG. 5