

US00D498454S

(12) **United States Design Patent**  
**Garelick et al.**

(10) **Patent No.:** **US D498,454 S**

(45) **Date of Patent:** **\*\* Nov. 16, 2004**

(54) **COMPACTABLE BOAT LADDER**

D359,470 S \* 6/1995 Allyn ..... D12/317  
D479,884 S \* 9/2003 Berryman ..... D25/64

(75) Inventors: **Richard J. Garelick**, Minneapolis, MN (US); **Paul A. Pilosi**, Minnetonka, MN (US)

\* cited by examiner

*Primary Examiner*—Doris Clark

(73) Assignee: **Garelick Mfg. Co.**, St. Paul Park, MN (US)

(74) *Attorney, Agent, or Firm*—Jacobson and Johnson

(\*\*) Term: **14 Years**

(57) **CLAIM**

The ornamental design for a compactable boat ladder, as shown and described.

(21) Appl. No.: **29/199,018**

**DESCRIPTION**

(22) Filed: **Feb. 9, 2004**

(51) **LOC (7) Cl.** ..... **12-06**

(52) **U.S. Cl.** ..... **D12/317; D25/64**

(58) **Field of Search** ..... D25/64; 182/189, 182/194, 63.1, 64.1, 93; D12/317

FIG. 1 is a perspective view of a compactable boat ladder ready for use, showing our design; FIG. 2 is a left side elevation view; FIG. 3 is a front elevation view; FIG. 4 is a right side elevation view; FIG. 5 is a top view; and, FIG. 6 is a bottom view.

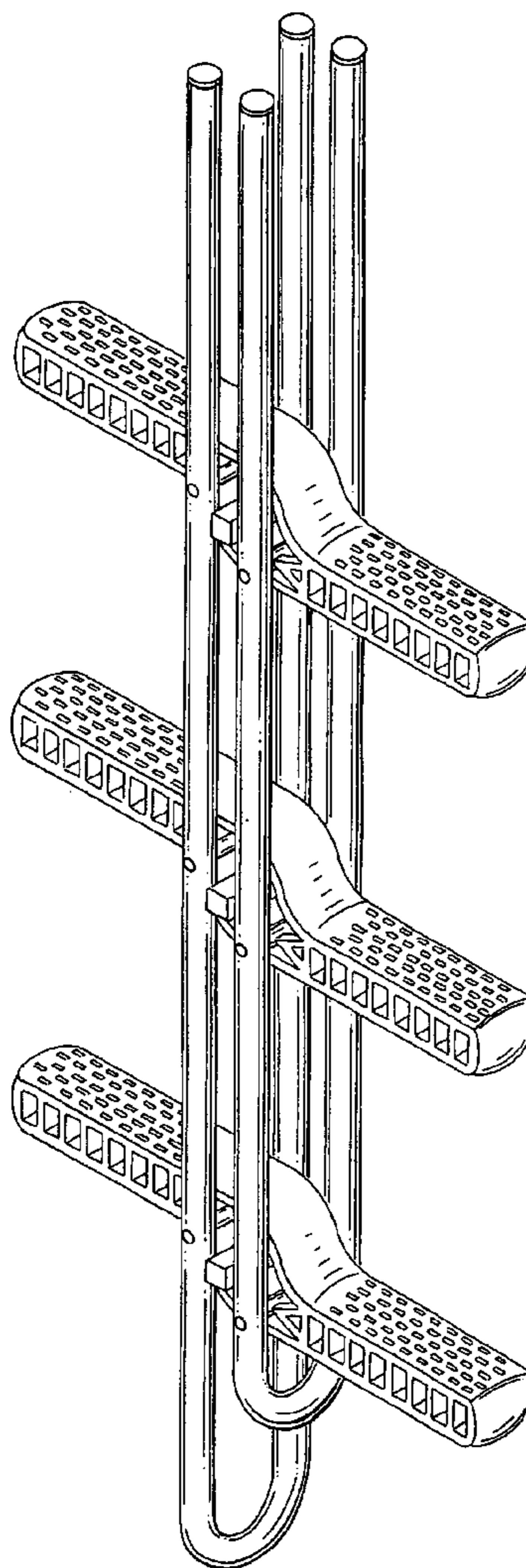
The rear elevation view is a mirror image of the front view.

(56) **References Cited**

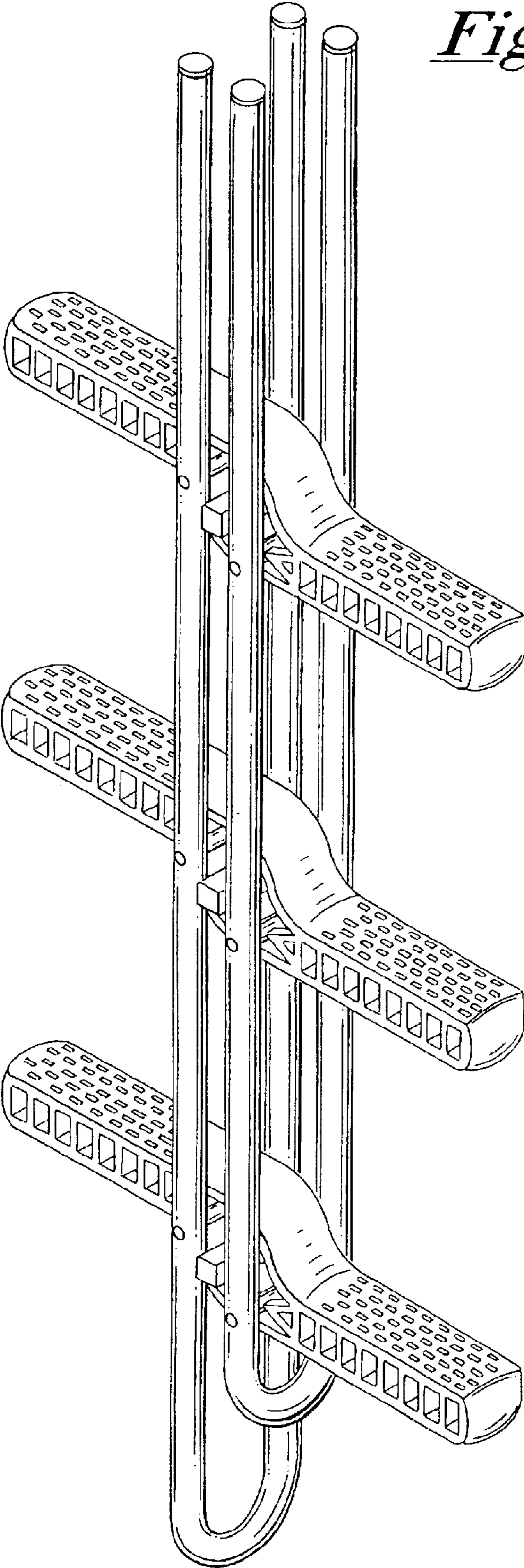
**U.S. PATENT DOCUMENTS**

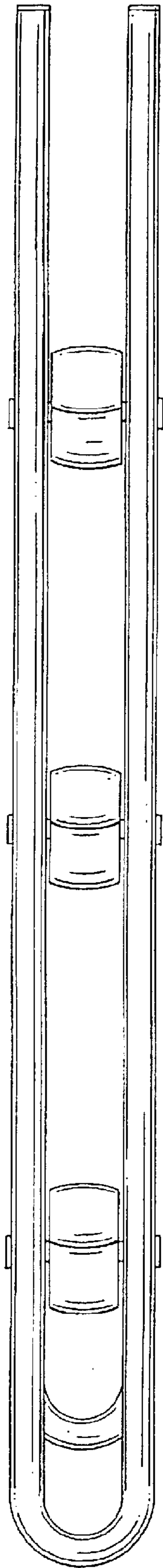
4,724,925 A \* 2/1988 Ritten ..... 182/97

**1 Claim, 3 Drawing Sheets**

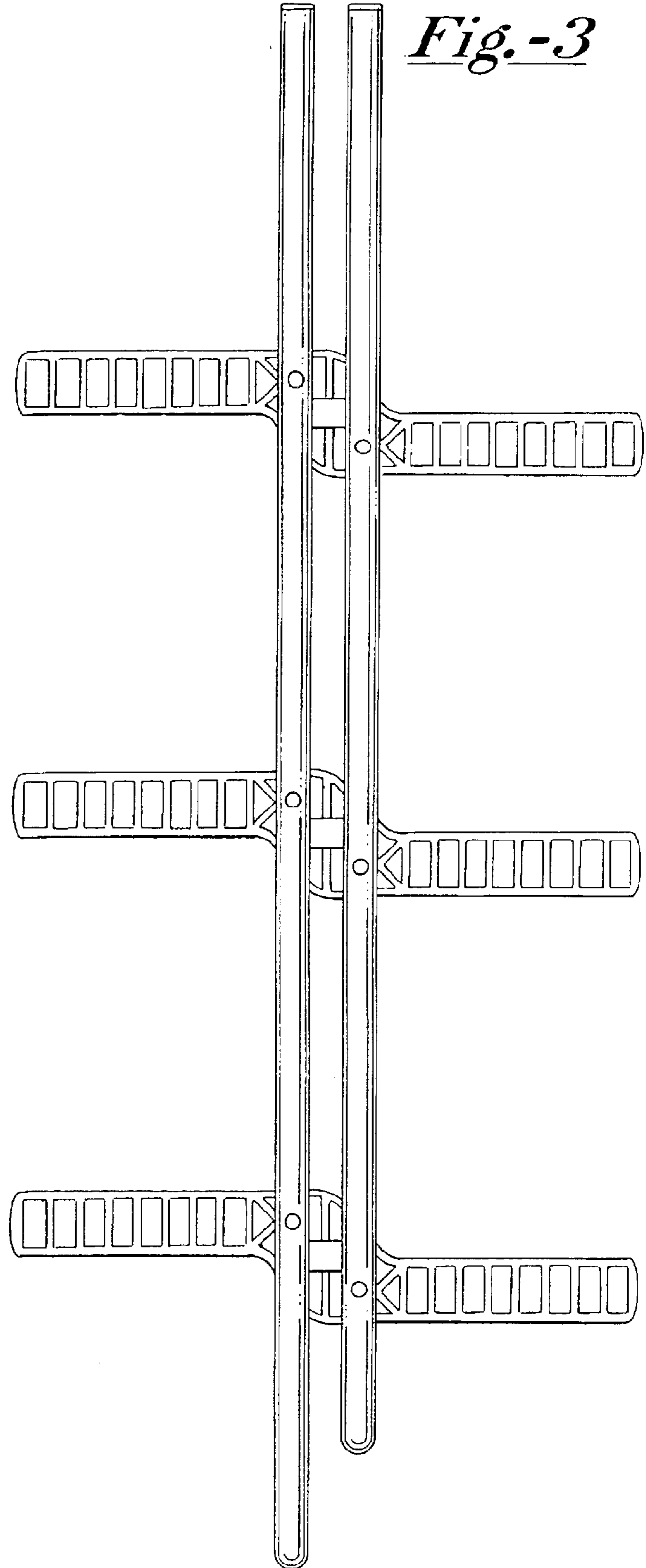


*Fig.-1*





*Fig.-2*



*Fig.-3*

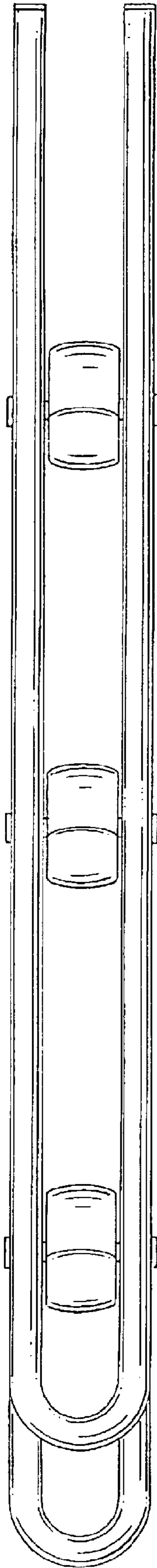


Fig. -4

Fig. -5

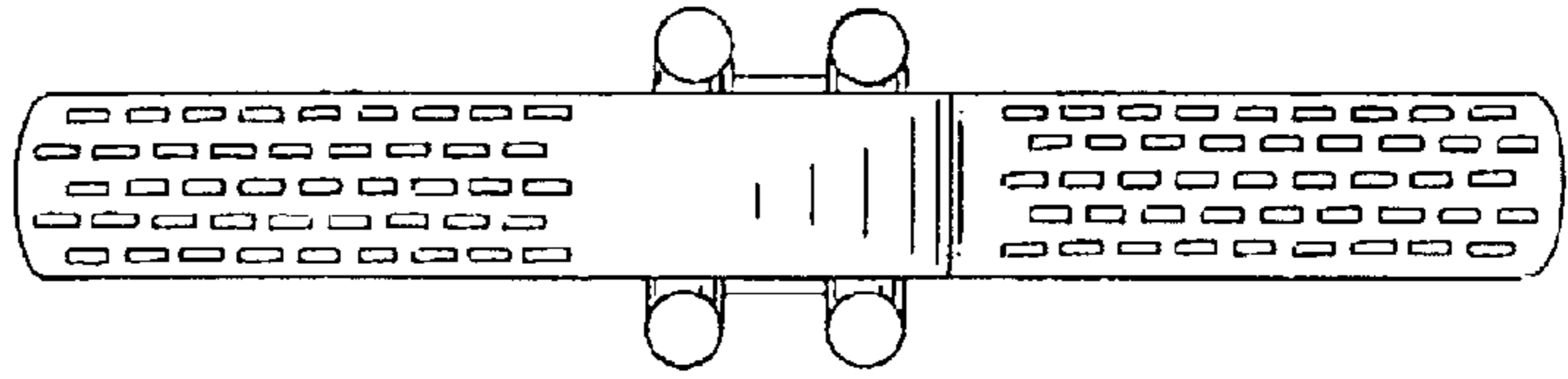


Fig. -6

