

US00D498453S

(12) **United States Design Patent** (10) **Patent No.:** **US D498,453 S**
Lee (45) **Date of Patent:** **** Nov. 16, 2004**

(54) **RETAINER CLIP FOR WINDSHIELD WIPER**

(57) **CLAIM**

(76) **Inventor:** **Albert Lee**, 510 E. Preston St.,
Baltimore, MD (US) 21202

The ornamental design for a retainer clip for windshield wiper, as shown and described.

(**) **Term:** **14 Years**

DESCRIPTION

(21) **Appl. No.:** **29/188,830**

FIG. 1 is a front perspective view of a retainer clip for windshield wiper showing my new design, including a base portion and two end caps, wherein one of the caps is removed;

(22) **Filed:** **Aug. 26, 2003**

(51) **LOC (7) Cl.** **12-06**

(52) **U.S. Cl.** **D12/220**

(58) **Field of Search** **D12/219-220;**
15/250.451-250.454, 250.48, 250.361,
250.05-250.07, 250.31-250.33, 250.351,
250.4-250.42

FIG. 2 is a left side view of a base portion without the end caps of the retainer clip for windshield wiper, the right side being a mirror image thereof;

FIG. 3 is a front plan view of the retainer clip for windshield wiper of FIG. 1, with one of the end caps removed, the rear side being a mirror image thereof;

(56) **References Cited**

U.S. PATENT DOCUMENTS

4,009,503	A	*	3/1977	Sharp	15/250.454
4,156,951	A	*	6/1979	Sharp	15/250.454
4,360,943	A	*	11/1982	Thompson et al.	15/250.454
4,566,147	A	*	1/1986	Baerenwald et al.	...	15/250.454
D298,926	S	*	12/1988	Rusnak	D12/220
5,052,072	A	*	10/1991	Chen	15/250.454
D323,638	S	*	2/1992	Buechele	D12/220
5,150,498	A	*	9/1992	Charng	15/250.454
5,235,721	A	*	8/1993	Charng	15/250.454
D365,320	S	*	12/1995	Franz	D12/220
5,598,603	A	*	2/1997	Mege et al.	15/250.454
D393,619	S	*	4/1998	Jeffer et al.	D12/220
D395,865	S	*	7/1998	Powell et al.	D12/220
5,933,910	A	*	8/1999	Buechele et al.	15/250.454

FIG. 4 is a left side view of the end cap of the retainer clip for windshield wiper;

FIG. 5 is a partial cross-sectional view of a right end of the retainer clip for windshield wiper taken along line 5-5 in FIG. 1, the partial cross-section view of the left end being a mirror image thereof;

FIG. 6 is a bottom view of the retainer clip for windshield wiper of FIG. 1 with one of the end caps removed;

FIG. 7 is a top plan view of the retainer clip for windshield wiper of FIG. 1 with one of the end caps removed;

FIG. 8 is a front perspective view of the base of the retainer clip for windshield wiper in use with the end caps removed; and,

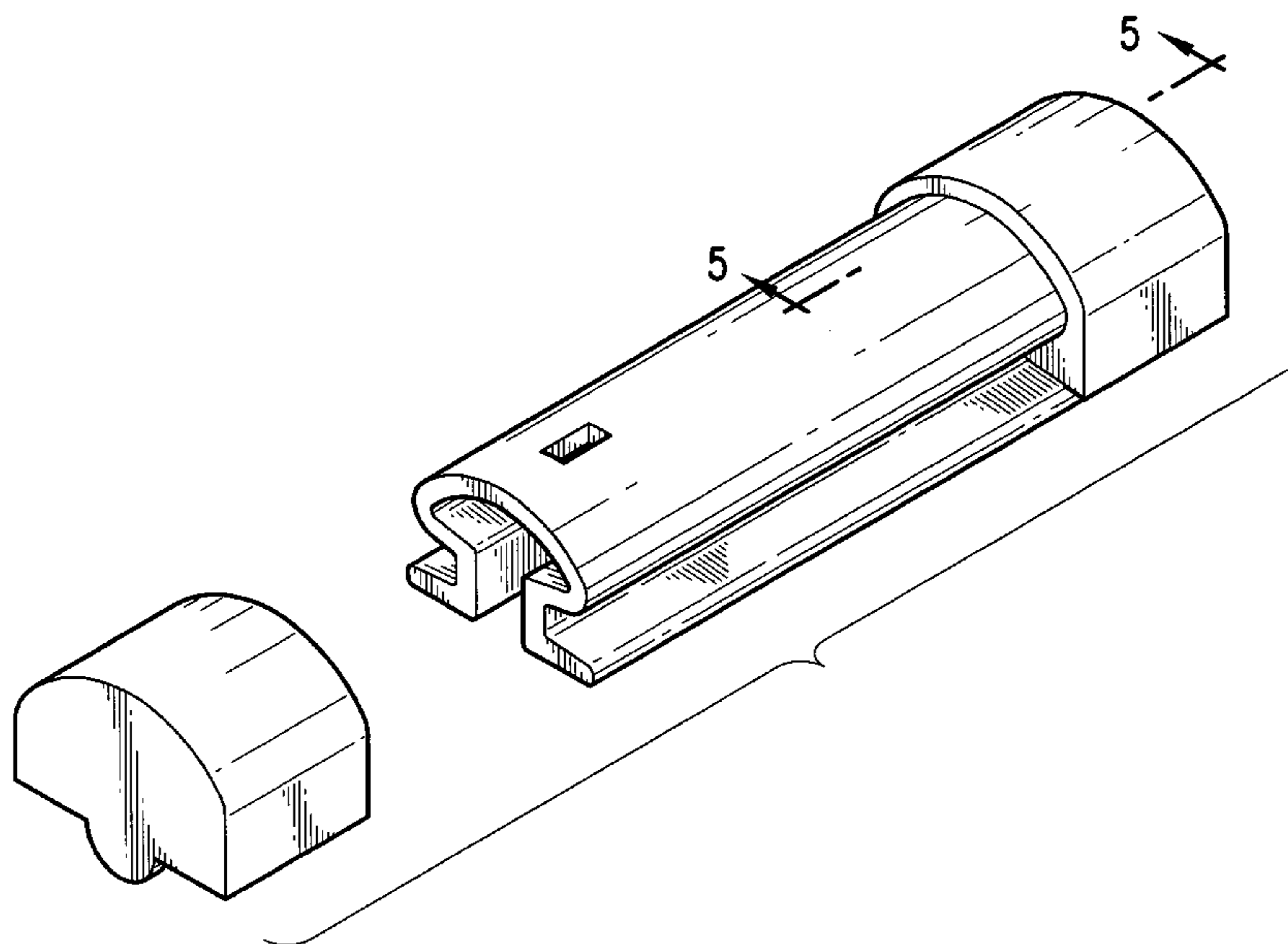
FIG. 9 is a left side view of FIG. 8, the right side view being the same.

* cited by examiner

The broken lines are for environmental purposes and form no part of the claimed design.

Primary Examiner—Stacia Cadmus
(74) *Attorney, Agent, or Firm*—Birch, Stewart, Kolasch & Birch, LLP

1 Claim, 5 Drawing Sheets



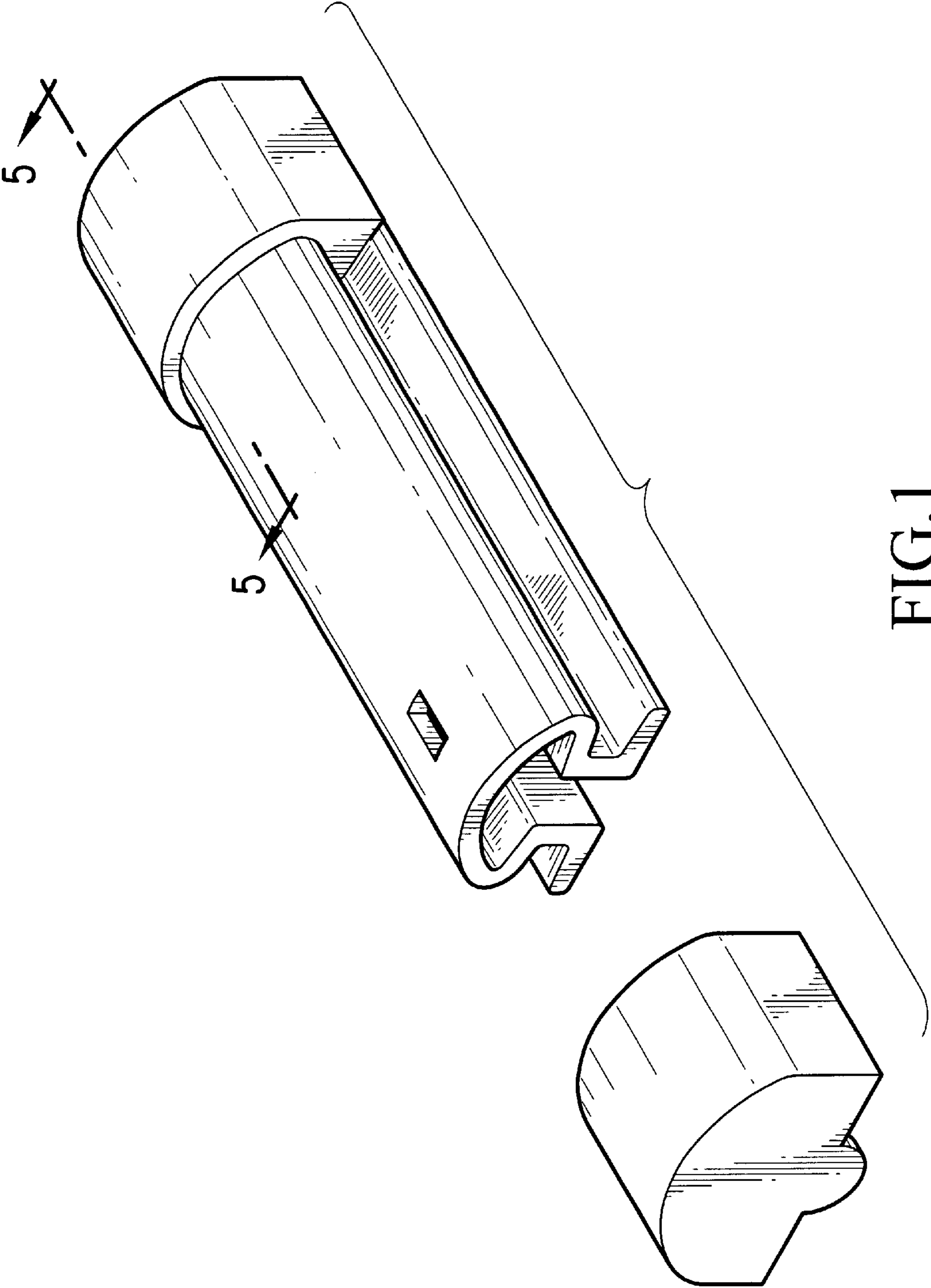


FIG. 1

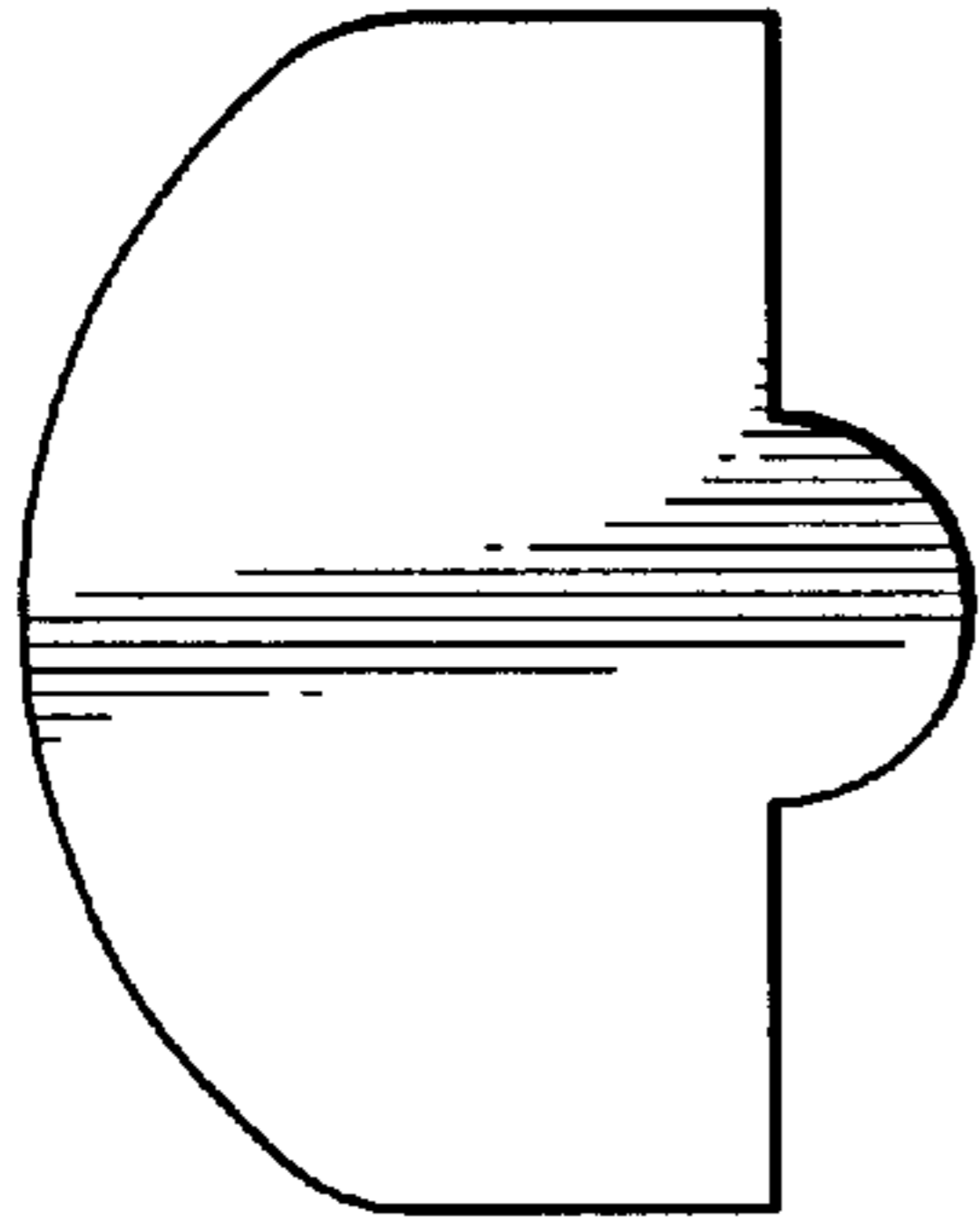


FIG. 4

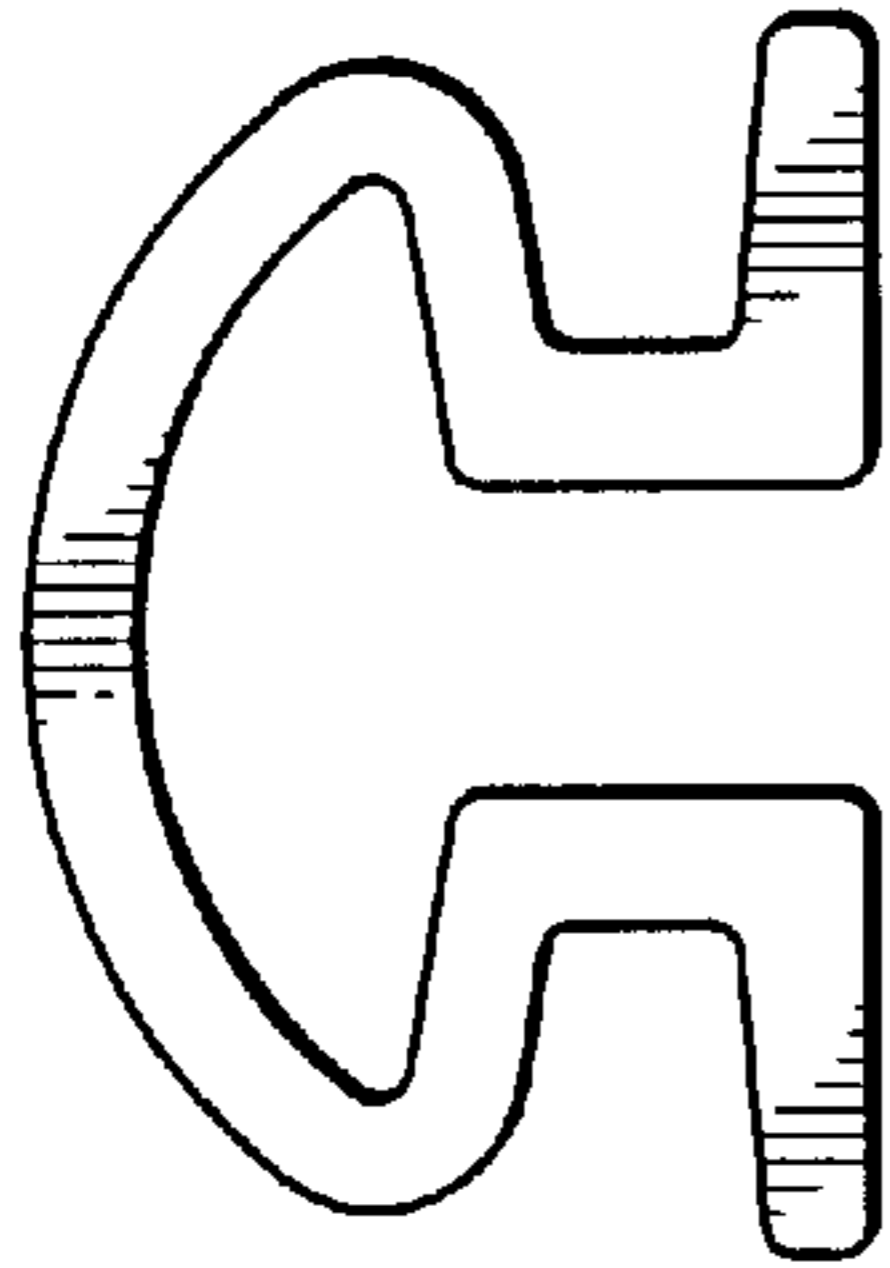


FIG. 2

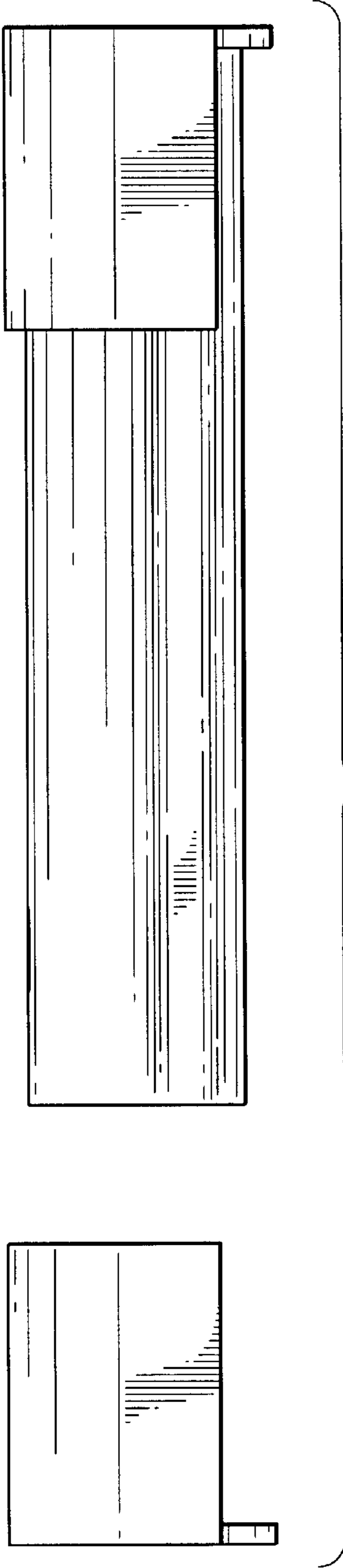


FIG. 3

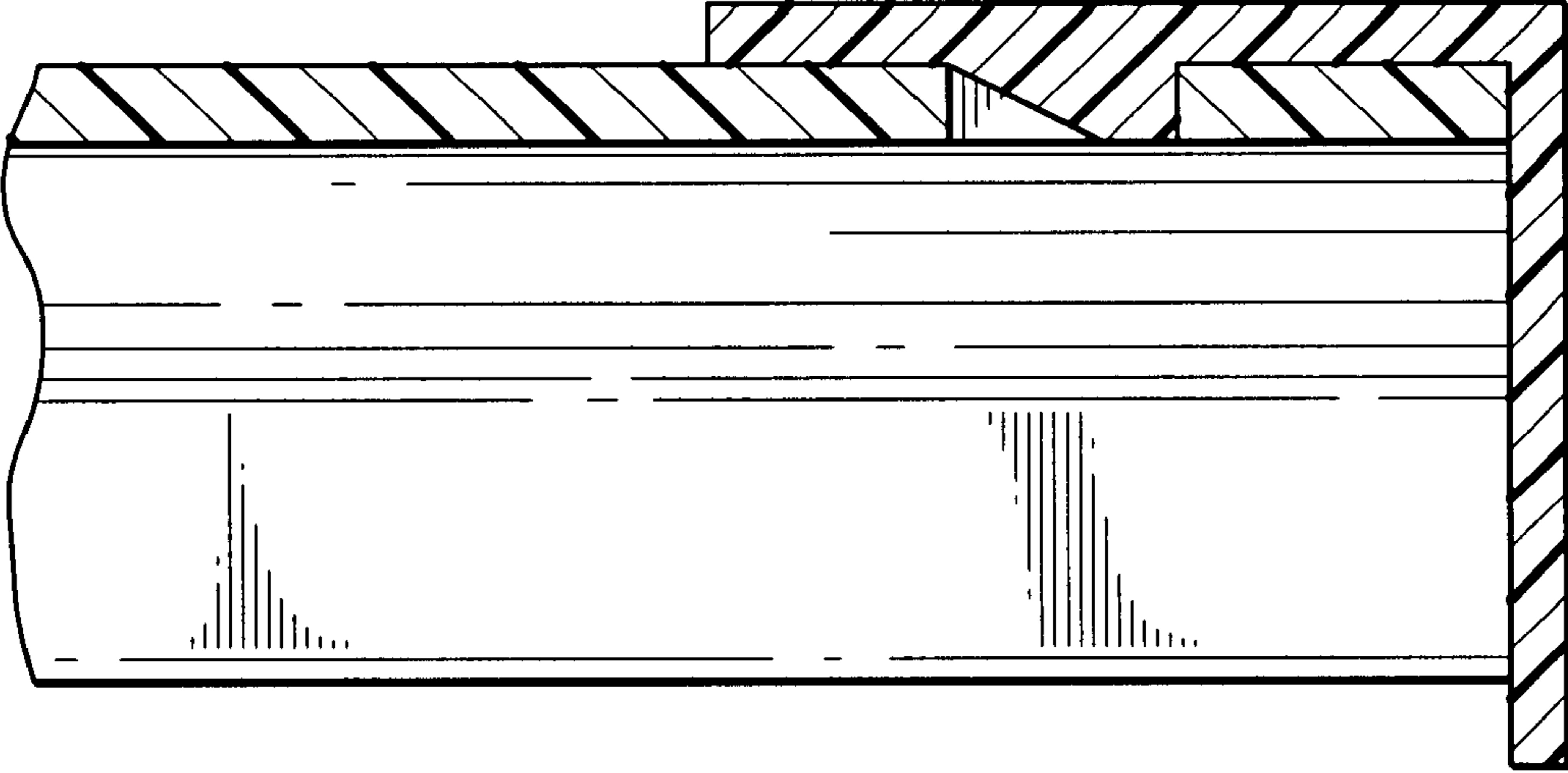


FIG.5

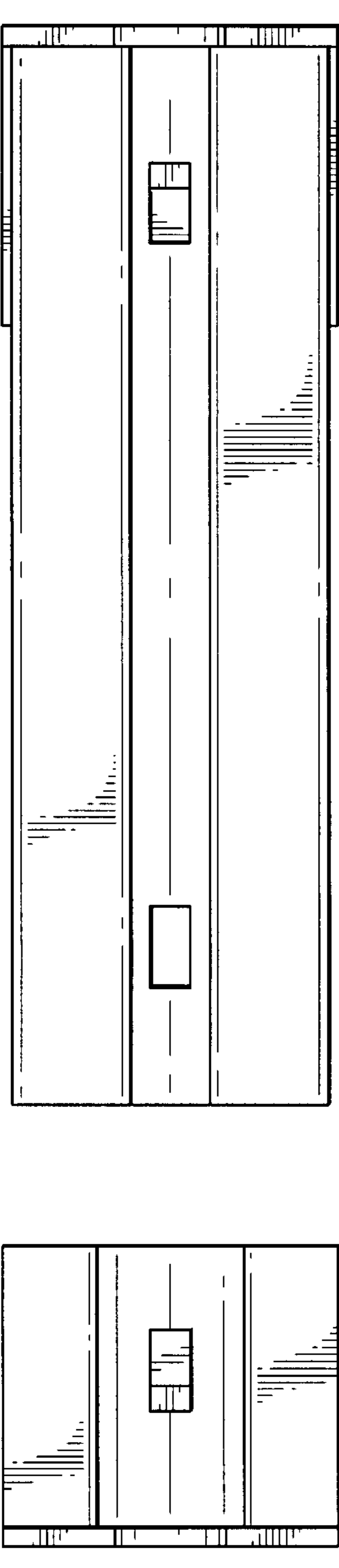


FIG. 6

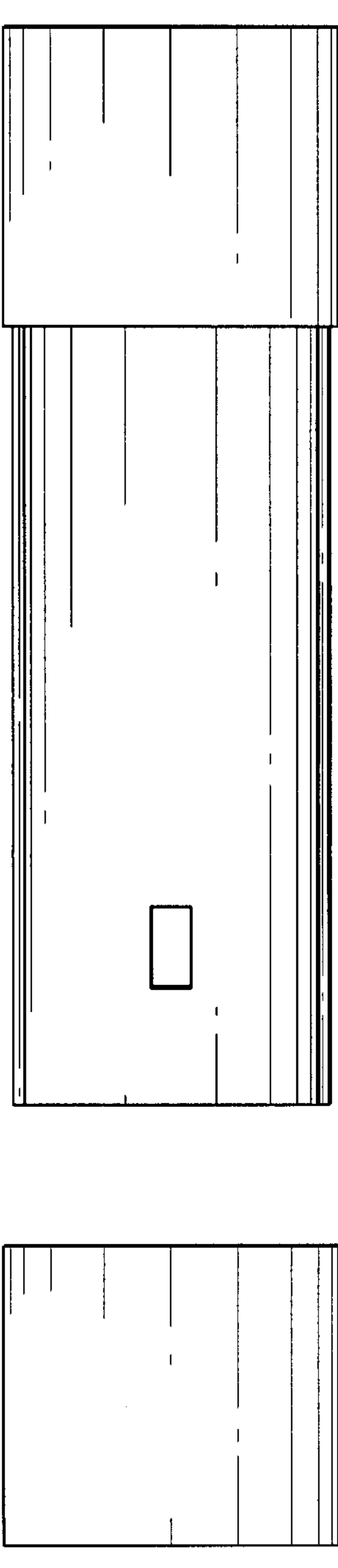


FIG. 7

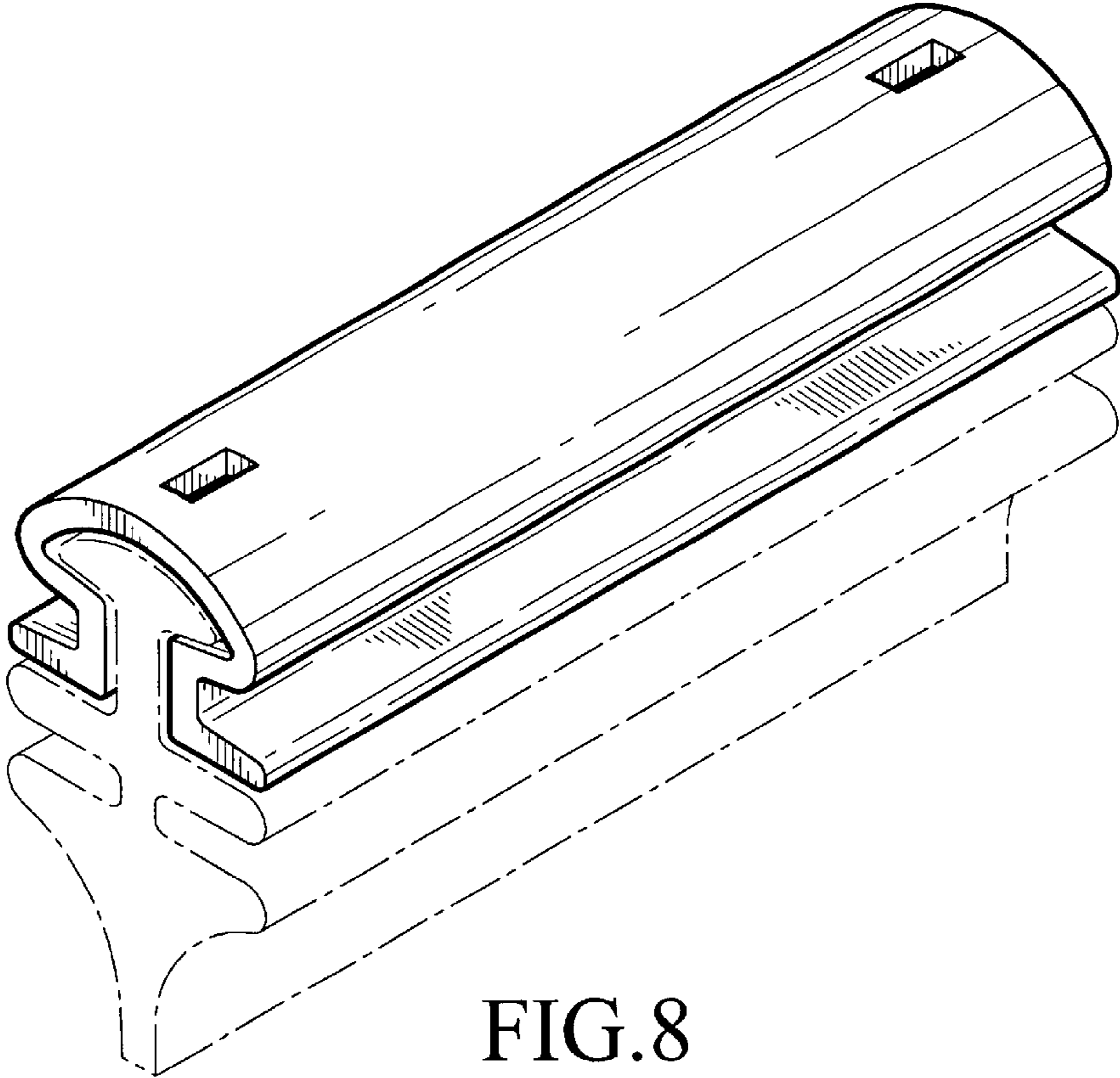


FIG. 8

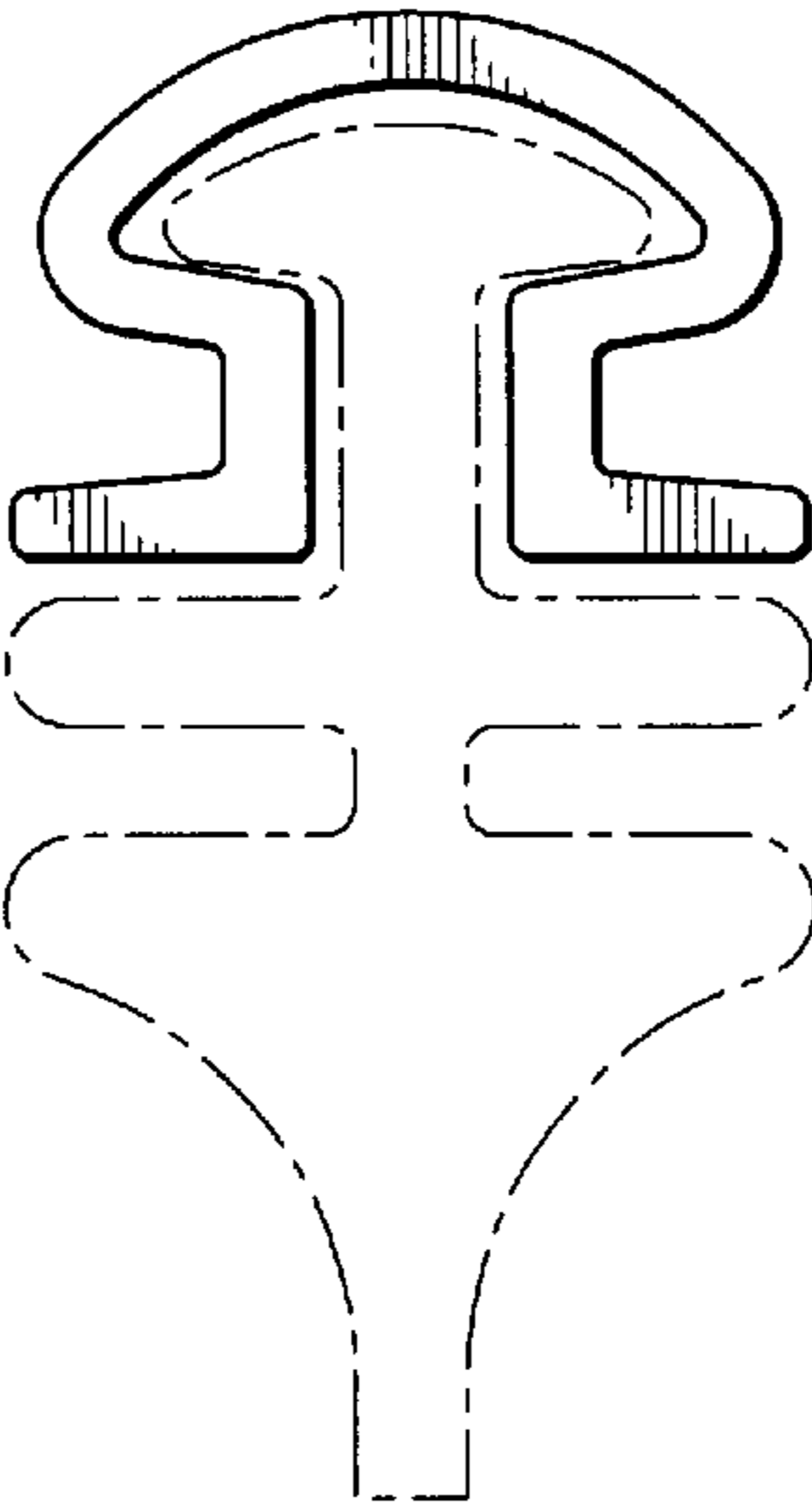


FIG. 9