

US00D498450S

(12) **United States Design Patent**
Johnson

(10) **Patent No.:** **US D498,450 S**

(45) **Date of Patent:** **** Nov. 16, 2004**

(54) **VEHICLE WHEEL COVER**

(75) **Inventor:** **Gary D. Johnson**, Martinez, GA (US)

(73) **Assignee:** **Club Car, Inc.**, Augusta, GA (US)

(**) **Term:** **14 Years**

(21) **Appl. No.:** **29/196,596**

(22) **Filed:** **Dec. 31, 2003**

(51) **LOC (7) Cl.** **12-16**

(52) **U.S. Cl.** **D12/211**

(58) **Field of Search** **D12/204-213;**
301/37.101, 64.101, 65

(56) **References Cited**

U.S. PATENT DOCUMENTS

D373,562 S	*	9/1996	Cole	D12/211
D454,825 S	*	3/2002	Amatino	D12/211
D482,996 S	*	12/2003	Sulahian	D12/211
D483,714 S	*	12/2003	Warming	D12/211
D490,040 S	*	5/2004	Foose	D12/211

* cited by examiner

Primary Examiner—Stacia Cadmus

(74) *Attorney, Agent, or Firm*—Michael Best & Friedrich LLP

(57) **CLAIM**

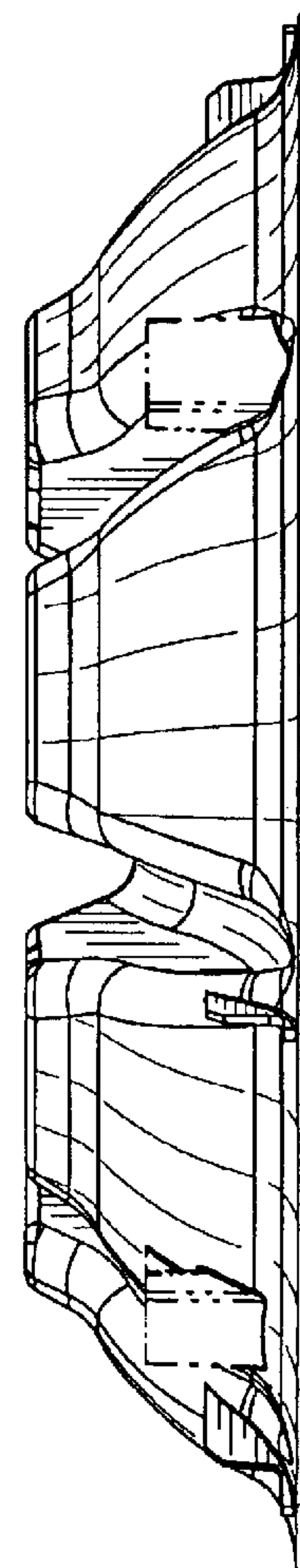
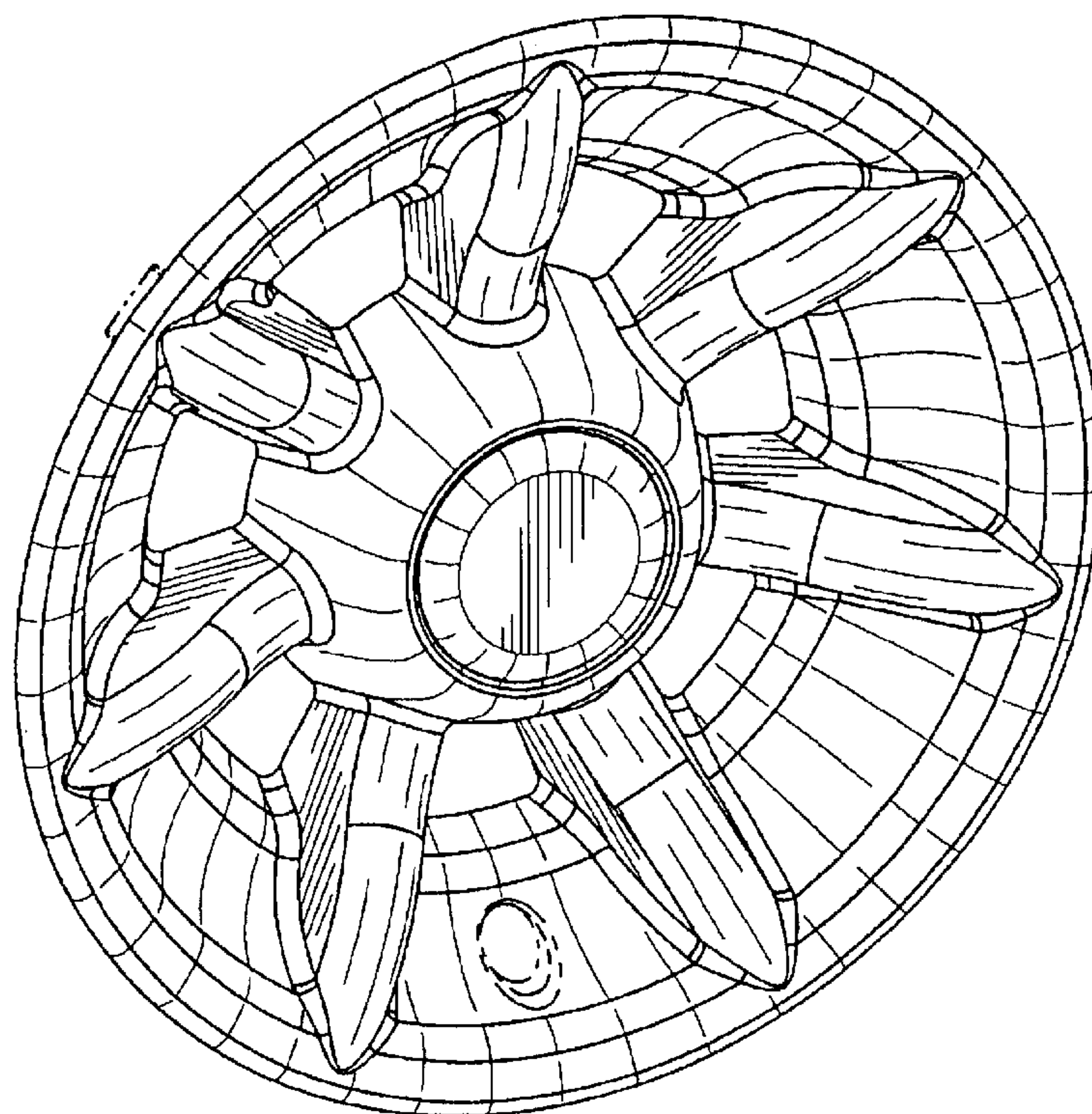
I claim the ornamental design for a vehicle wheel cover, as shown and described.

DESCRIPTION

FIG. 1 is a front perspective view of a vehicle wheel cover according to the present invention; FIG. 2 is a rear perspective view thereof; FIG. 3 is a front elevational view thereof; FIG. 4 is a top plan view thereof; FIG. 5 is a rear elevational view thereof; FIG. 6 is a bottom plan view thereof; FIG. 7 is a left side elevational view thereof; and, FIG. 8 is a right side elevational view thereof.

The portions of the vehicle cover in broken lines are shown as environment or for illustrative purposes only and forms no part of the claimed design.

1 Claim, 4 Drawing Sheets



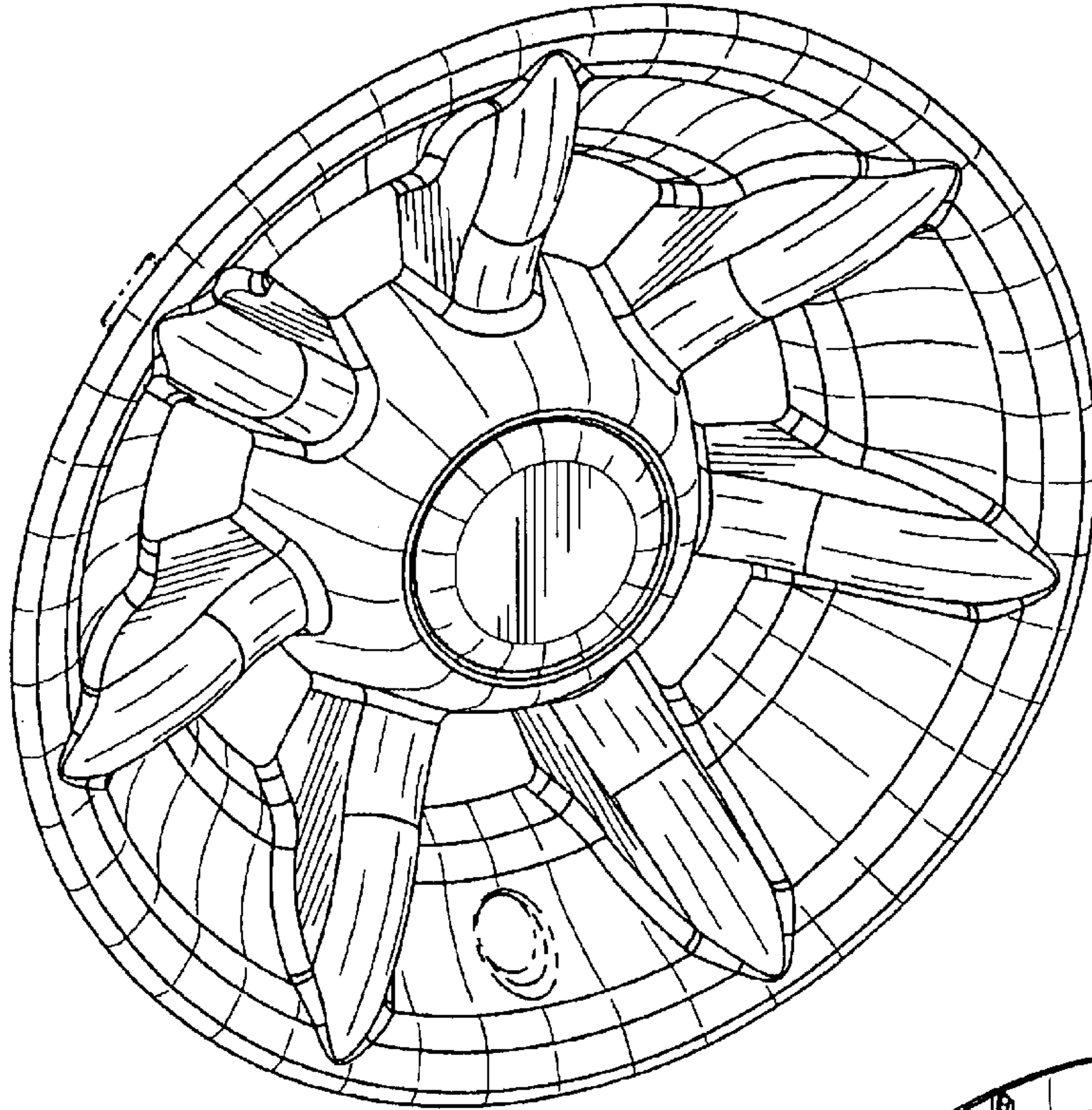


FIG. 1

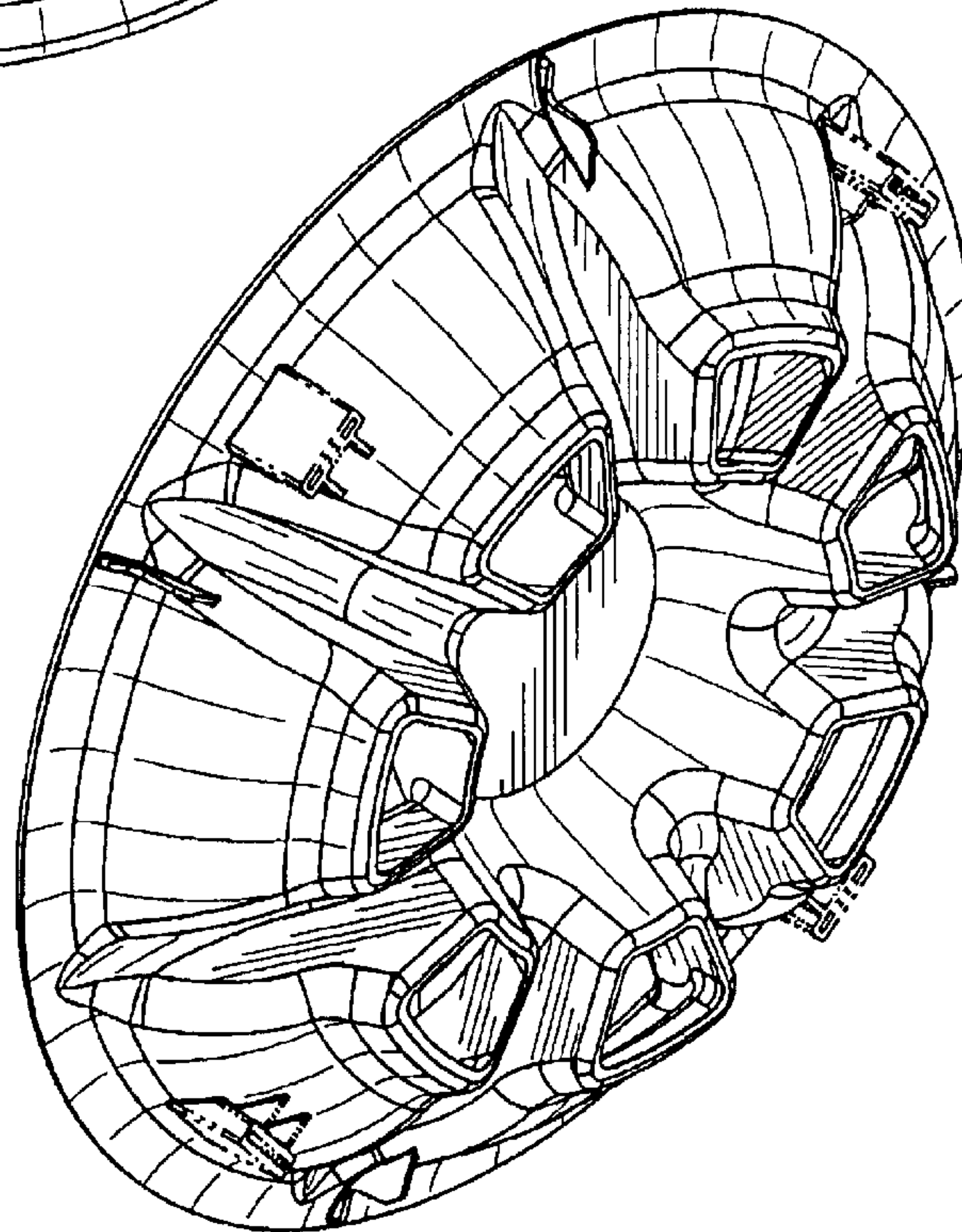


FIG. 2

FIG. 3

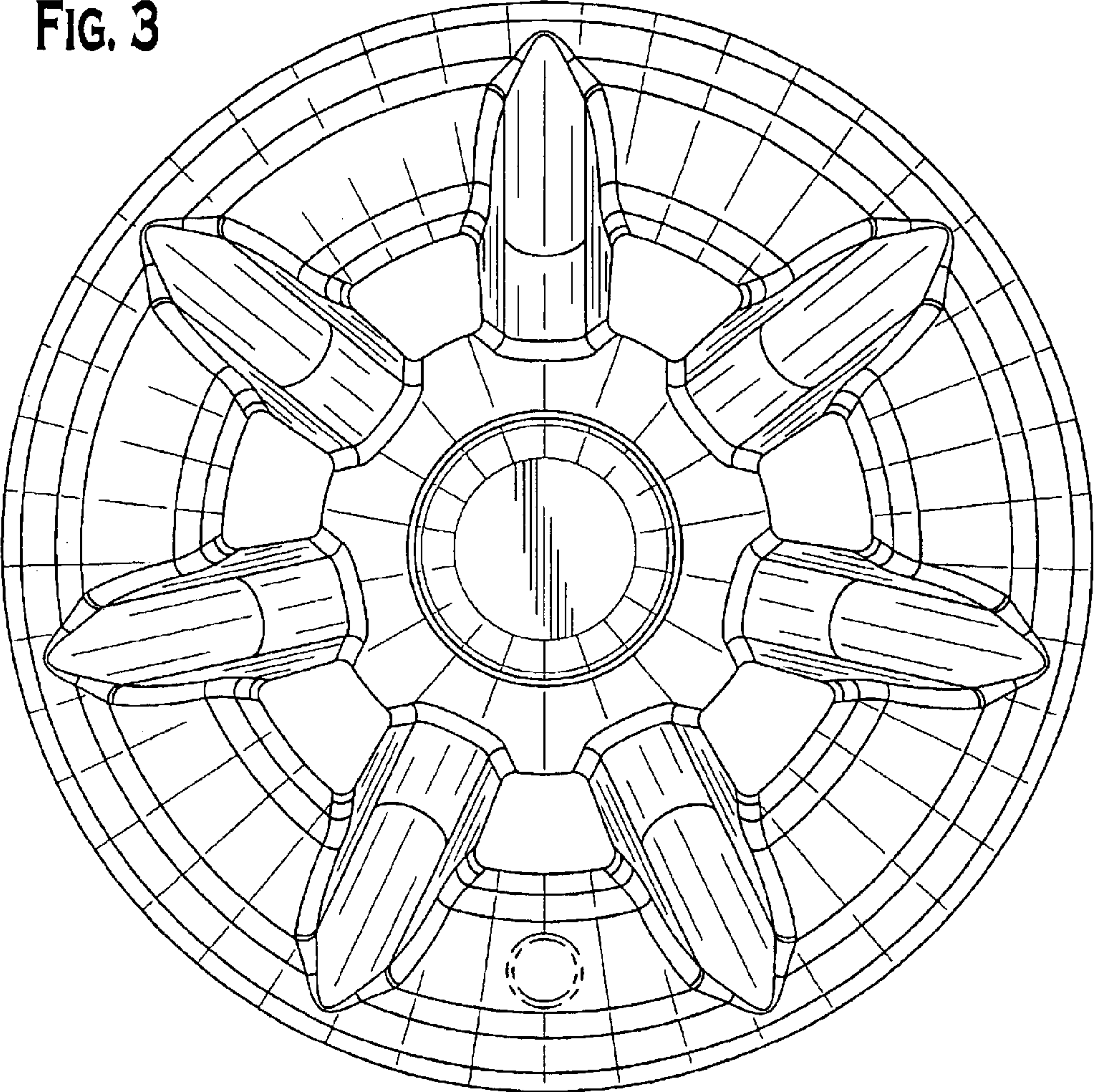


FIG. 4

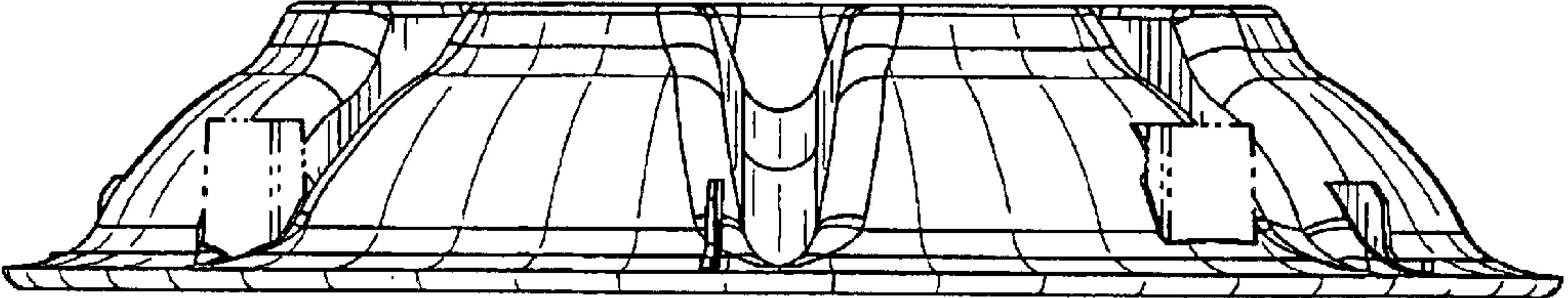


FIG. 5

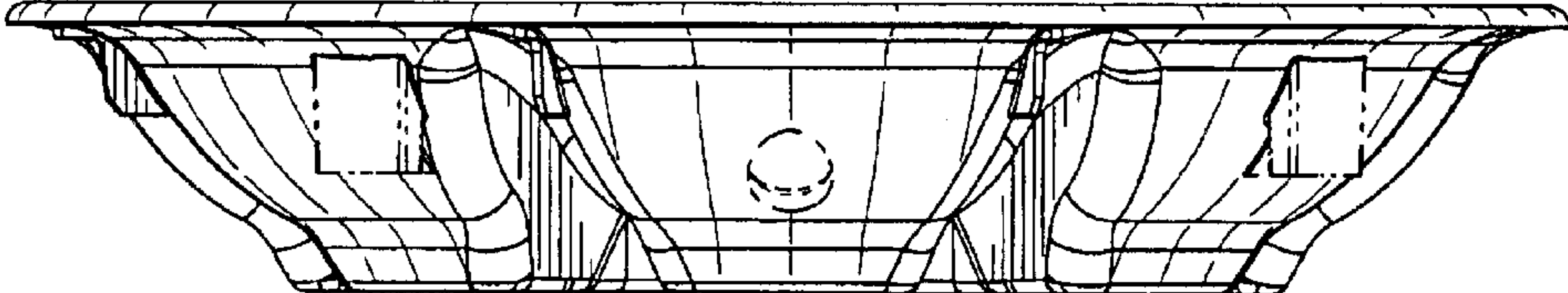
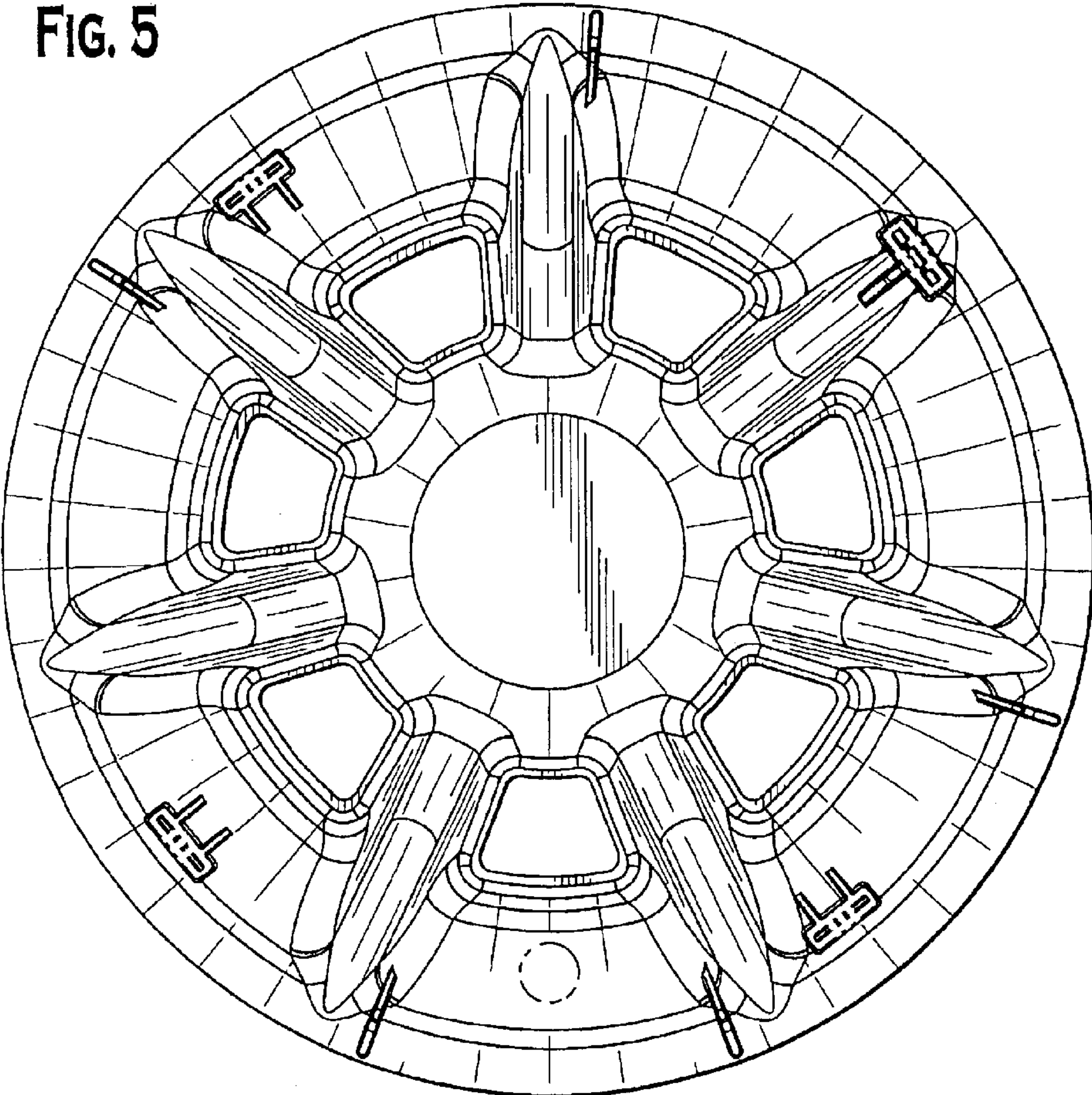


FIG. 6

FIG. 7

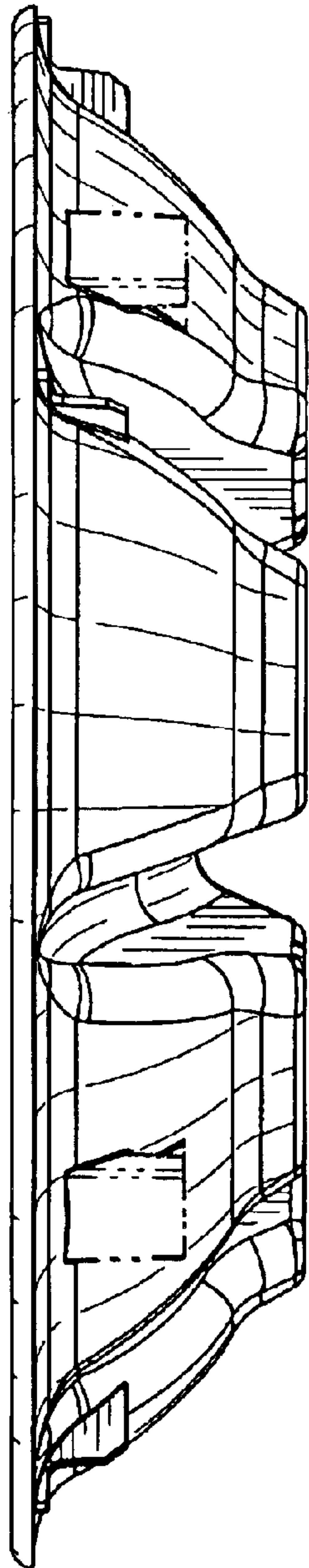
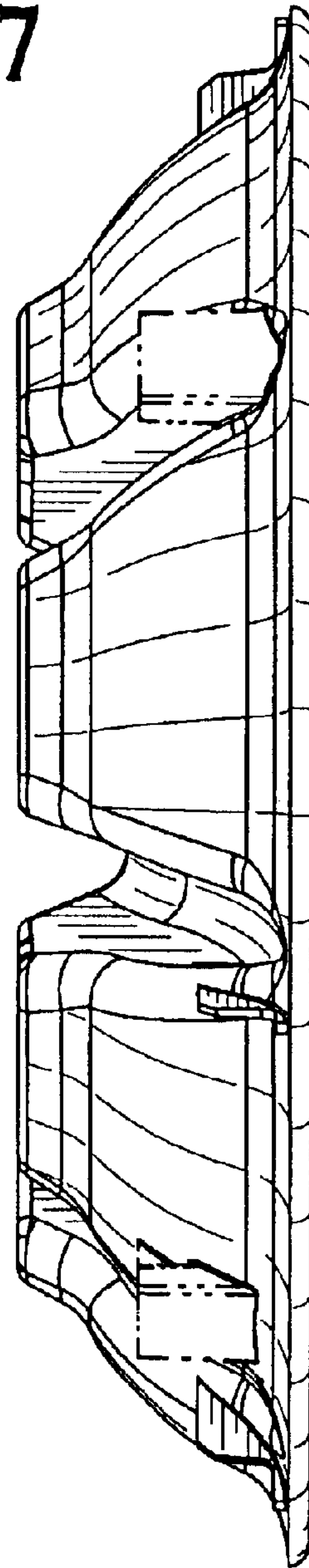


FIG. 8