



US00D498448S

(12) **United States Design Patent**  
**Boyd, Jr.**

(10) **Patent No.: US D498,448 S**

(45) **Date of Patent: \*\* Nov. 16, 2004**

(54) **AUTOMOBILE RIM FOR ATTACHMENT TO A TIRE**

(76) **Inventor: Clarence Boyd, Jr., 2514 Dublin Dr., Augusta, GA (US) 30906**

(\*\*) **Term: 14 Years**

(21) **Appl. No.: 29/199,215**

(22) **Filed: Feb. 11, 2004**

(51) **LOC (7) Cl. .... 12-16**

(52) **U.S. Cl. .... D12/209**

(58) **Field of Search ..... D12/204-213;  
301/37.101, 64.101, 65**

(56) **References Cited**

**U.S. PATENT DOCUMENTS**

1,884,238 A 10/1932 Reutter  
D321,164 S 10/1991 Gibson ..... D12/213

D426,509 S 6/2000 La Delpha ..... D12/204  
D433,372 S 11/2000 Donikoglu ..... D12/209  
D472,508 S \* 4/2003 Yang ..... D12/209  
D474,438 S \* 5/2003 Gamble et al. .... D12/209  
D476,940 S \* 7/2003 Cochran ..... D12/209  
D481,341 S \* 10/2003 Morrison ..... D12/209

\* cited by examiner

*Primary Examiner*—Stacia Cadmus

(74) *Attorney, Agent, or Firm*—Goldstein Law Offices, P.C.

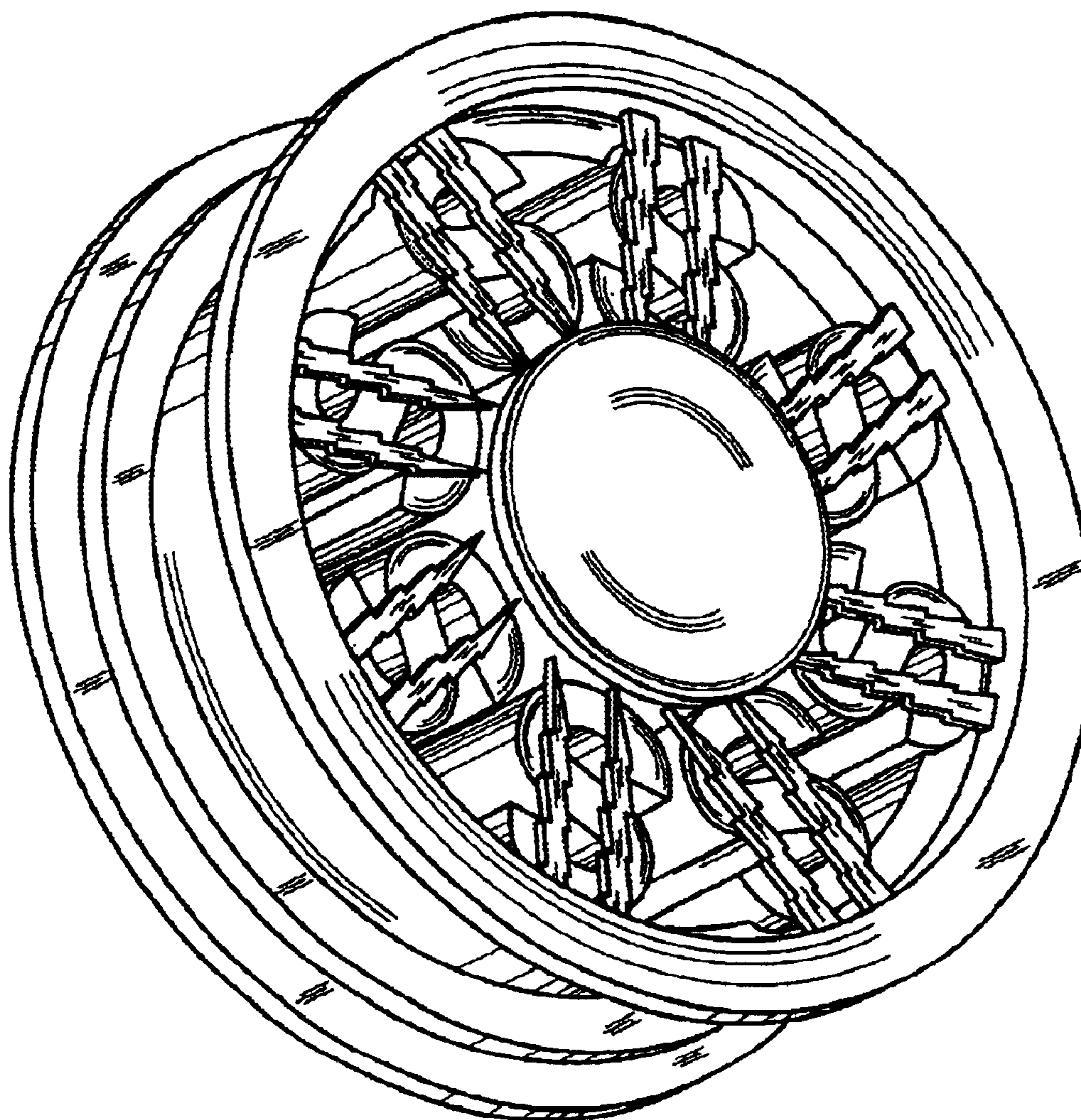
(57) **CLAIM**

The ornamental design for an automobile rim for attachment to a tire, as shown and described.

**DESCRIPTION**

FIG. 1 is a perspective view of the automobile rim for attachment to a tire; and,  
FIG. 2 is a front elevational view thereof.

**1 Claim, 2 Drawing Sheets**



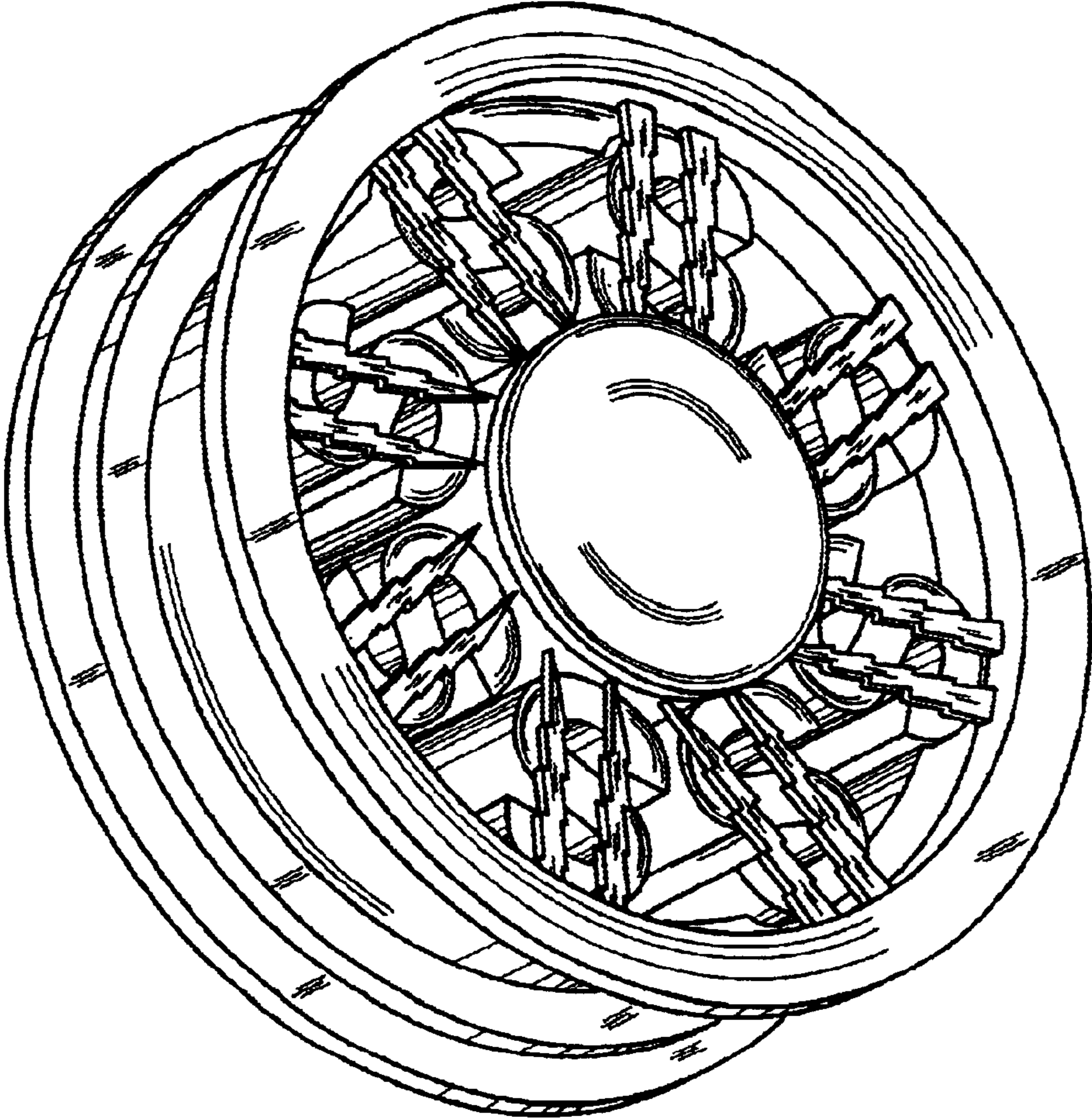


FIG. 1

FIG. 2

