

US00D498447S

(12) **United States Design Patent** (10) **Patent No.:** **US D498,447 S**
Kato (45) **Date of Patent:** **** Nov. 16, 2004**

(54) **LIGHT EMITTING VEHICULAR WHEEL HUB**

(76) Inventor: **Joey K. Kato**, 27560 Glenwood Dr., Mission Viejo, CA (US) 92692

(**) Term: **14 Years**

(21) Appl. No.: **29/179,094**

(22) Filed: **Apr. 4, 2003**

(51) **LOC (7) Cl.** **12-16**

(52) **U.S. Cl.** **D12/207**

(58) **Field of Search** D12/207, 213, D12/400; 301/64.1, 65, 63.1, 108.1, 108.5, 105.1, 110.5, 37.29

(56) **References Cited**

U.S. PATENT DOCUMENTS

2,349,220	A	*	5/1944	Eksergian	301/105.1
D248,748	S	*	8/1978	Siroonian	D12/207
D442,904	S	*	5/2001	Herrera	D12/207
6,257,678	B1	*	7/2001	Brookey et al.	301/105.1
D470,447	S	*	2/2003	Orey	D12/207

* cited by examiner

Primary Examiner—Stacia Cadmus
(74) *Attorney, Agent, or Firm*—Stetina Brunda Garred & Brucker

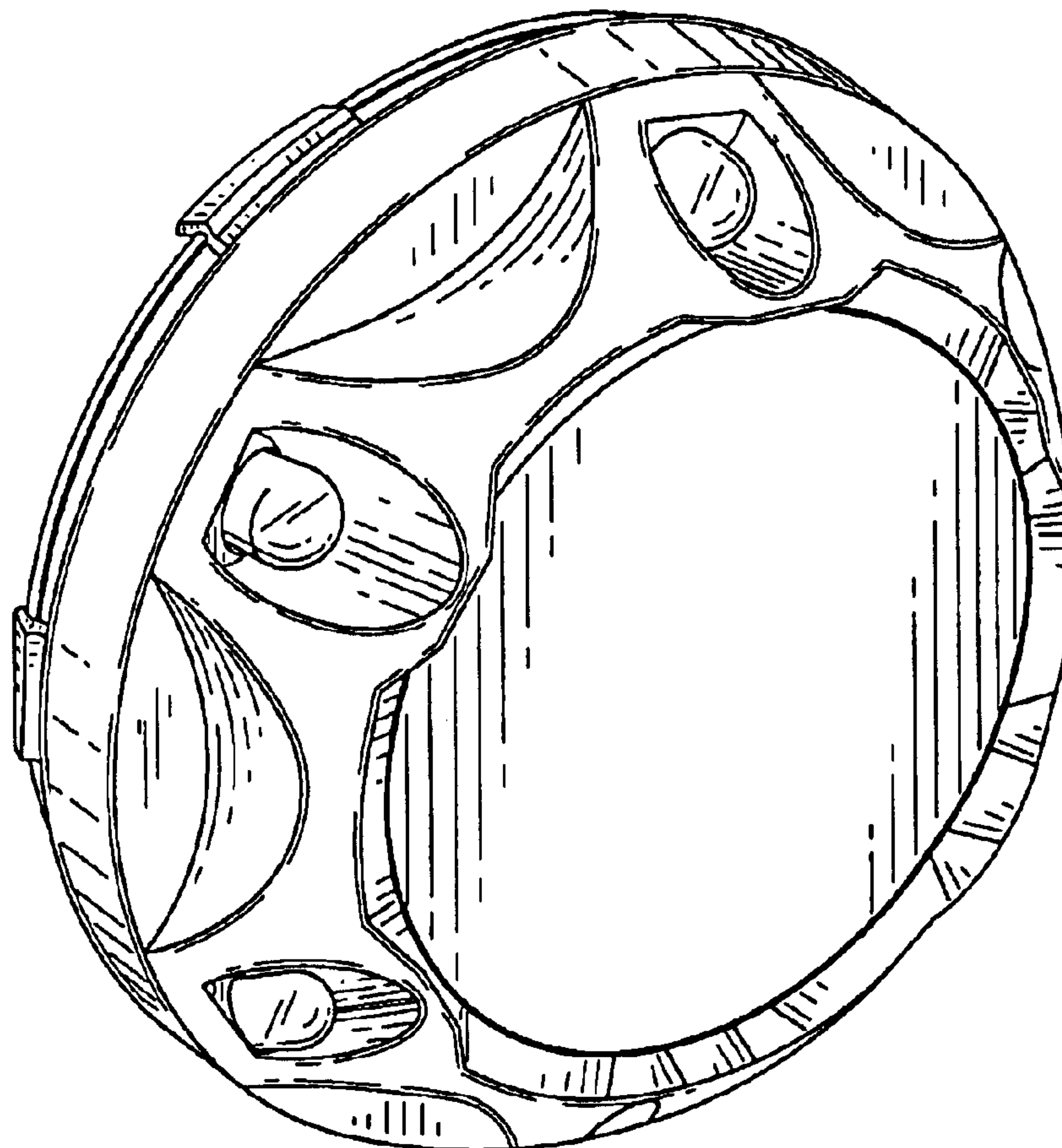
(57) **CLAIM**

The ornamental design for a light emitting vehicular wheel hub, as shown and described.

DESCRIPTION

FIG. 1 is a front elevation view of the light emitting vehicular wheel hub of the present invention showing my new design with the phantom lines depicting environmental structure and forming no part of the claim design; FIG. 2 is a top view thereof; FIG. 3 is a side view thereof; FIG. 4 is a front elevational view thereof; FIG. 5 is a bottom plan view thereof; and FIG. 6 is a rear view with the phantom lines depicting environmental structure and forming no part of the claim design; and, FIG. 7 is a perspective view thereof. The wheel hub of FIGS. 2-7 is shown on an enlarged scale as compared to the wheel hub of FIG. 1.

1 Claim, 3 Drawing Sheets



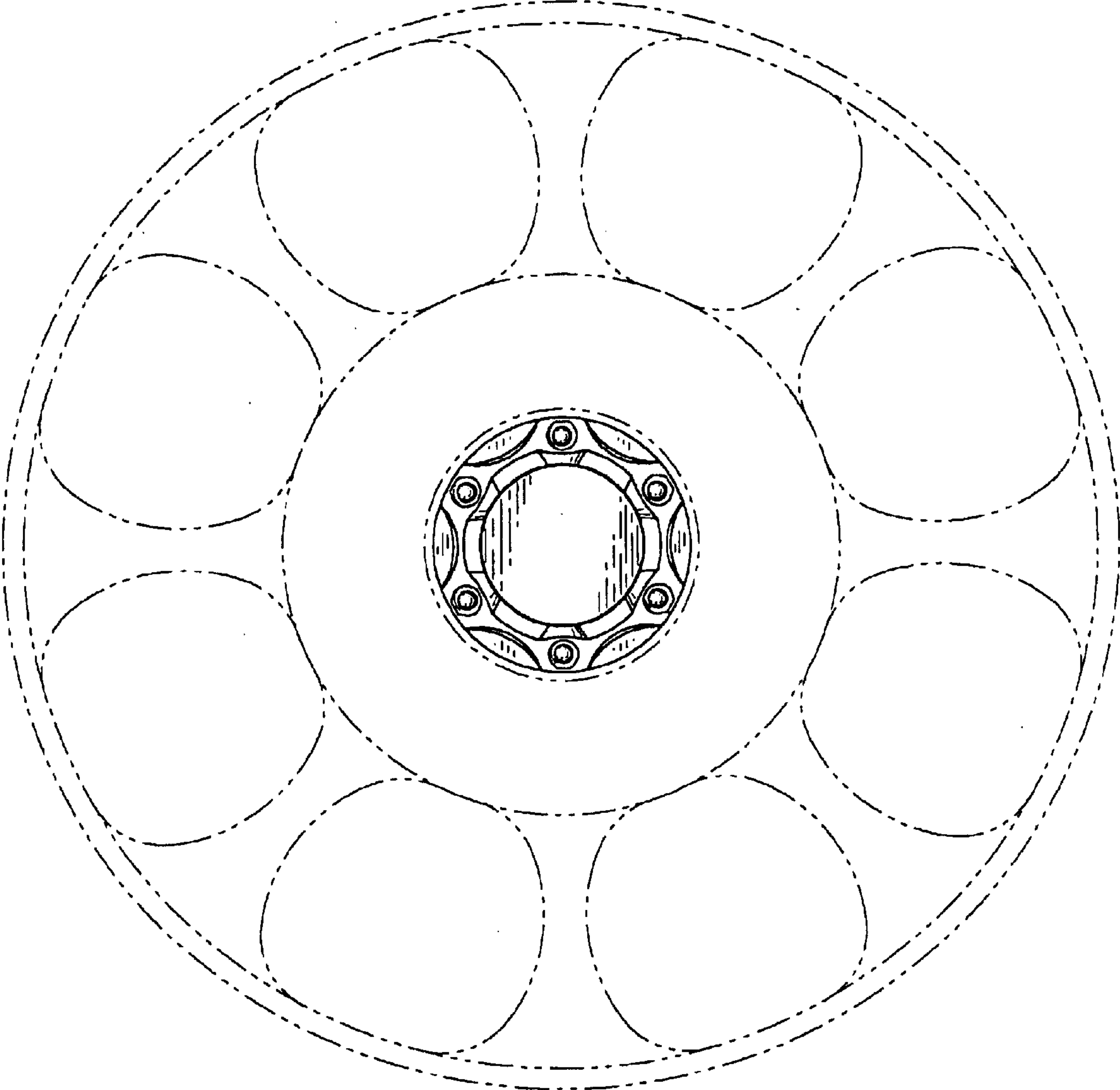


Fig. 1

Fig. 2

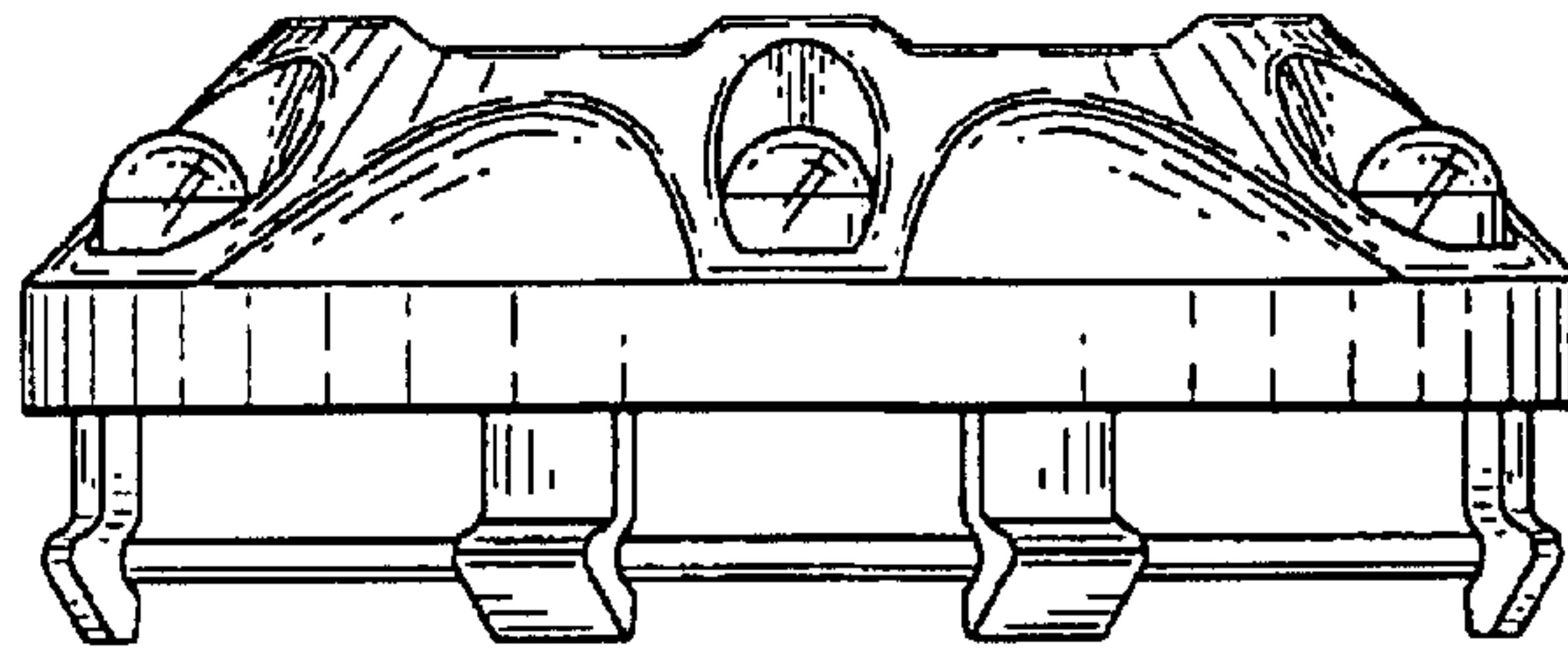


Fig. 3

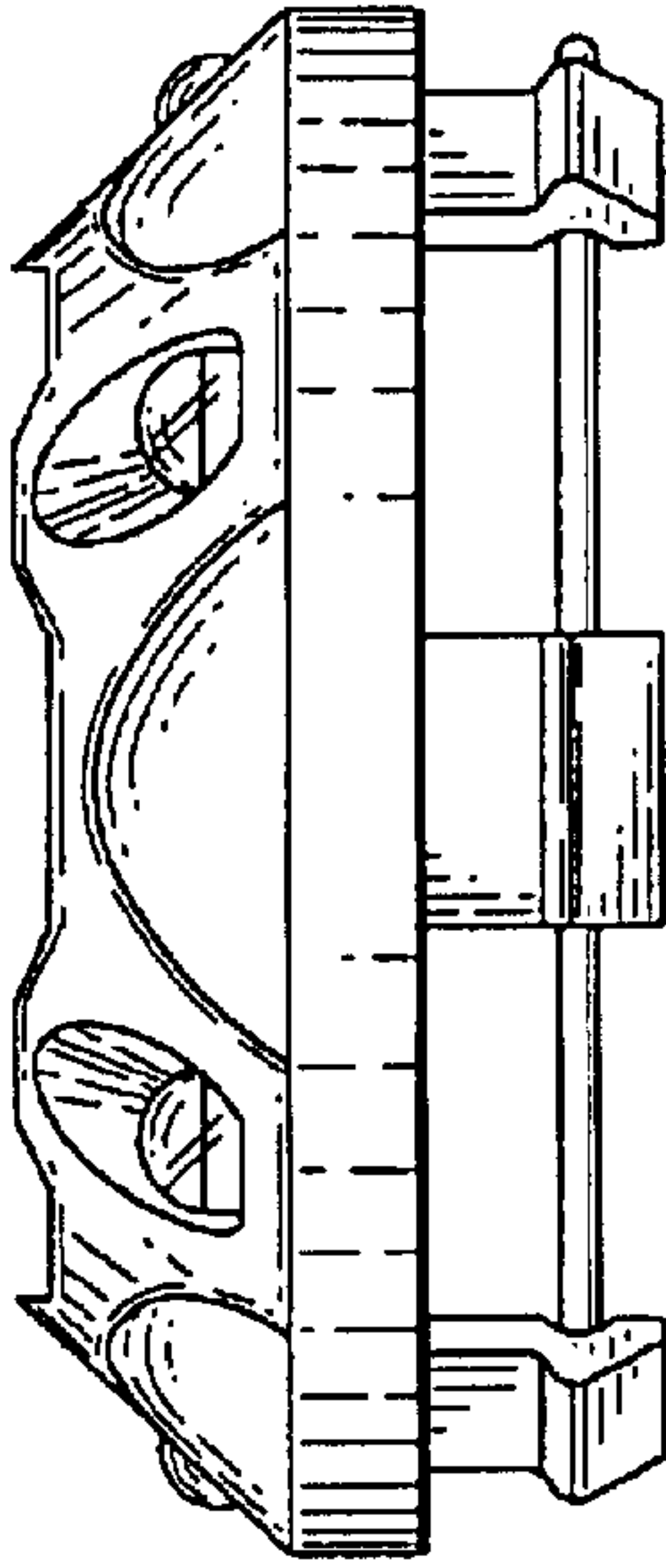


Fig. 4

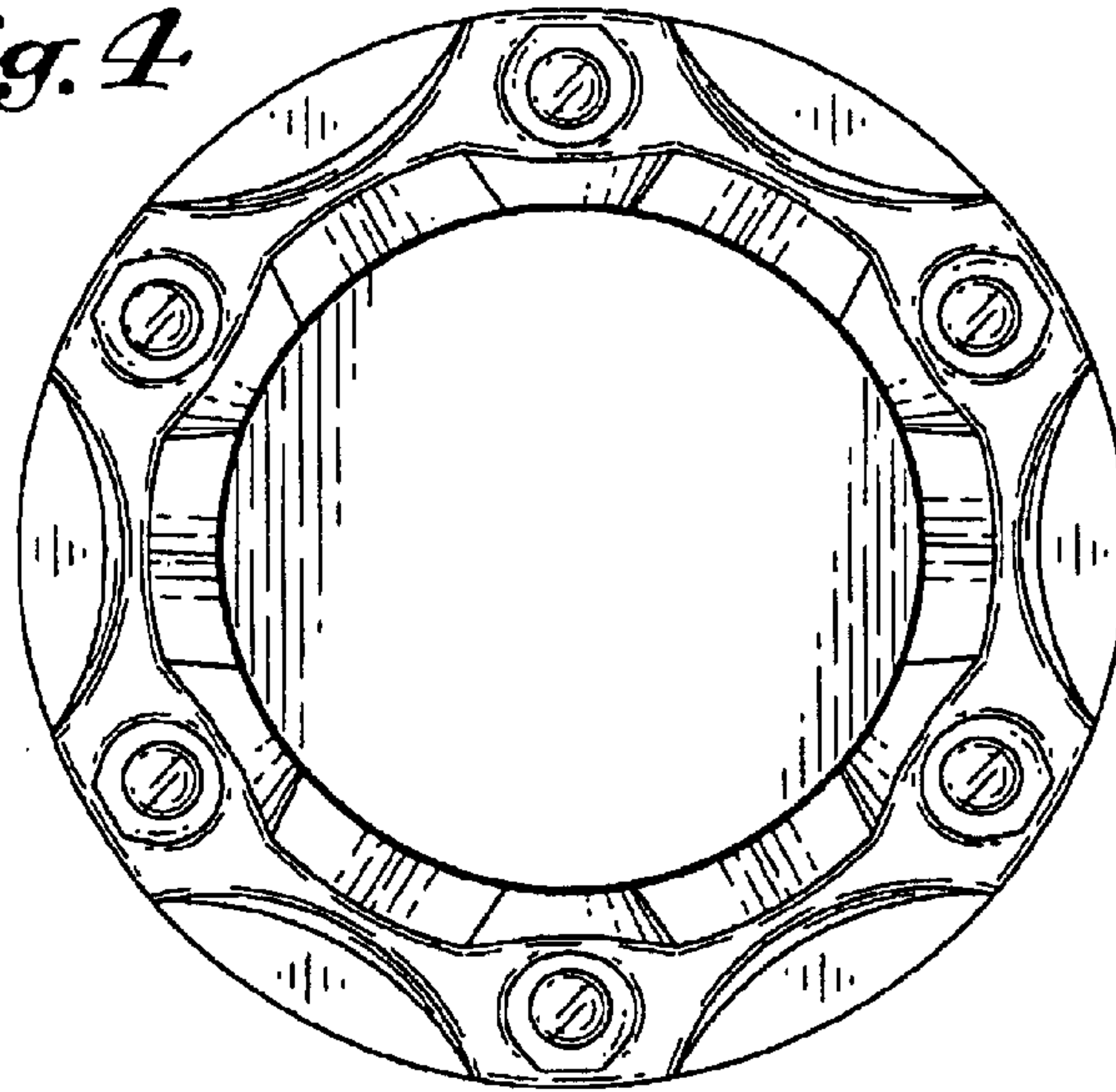


Fig. 5

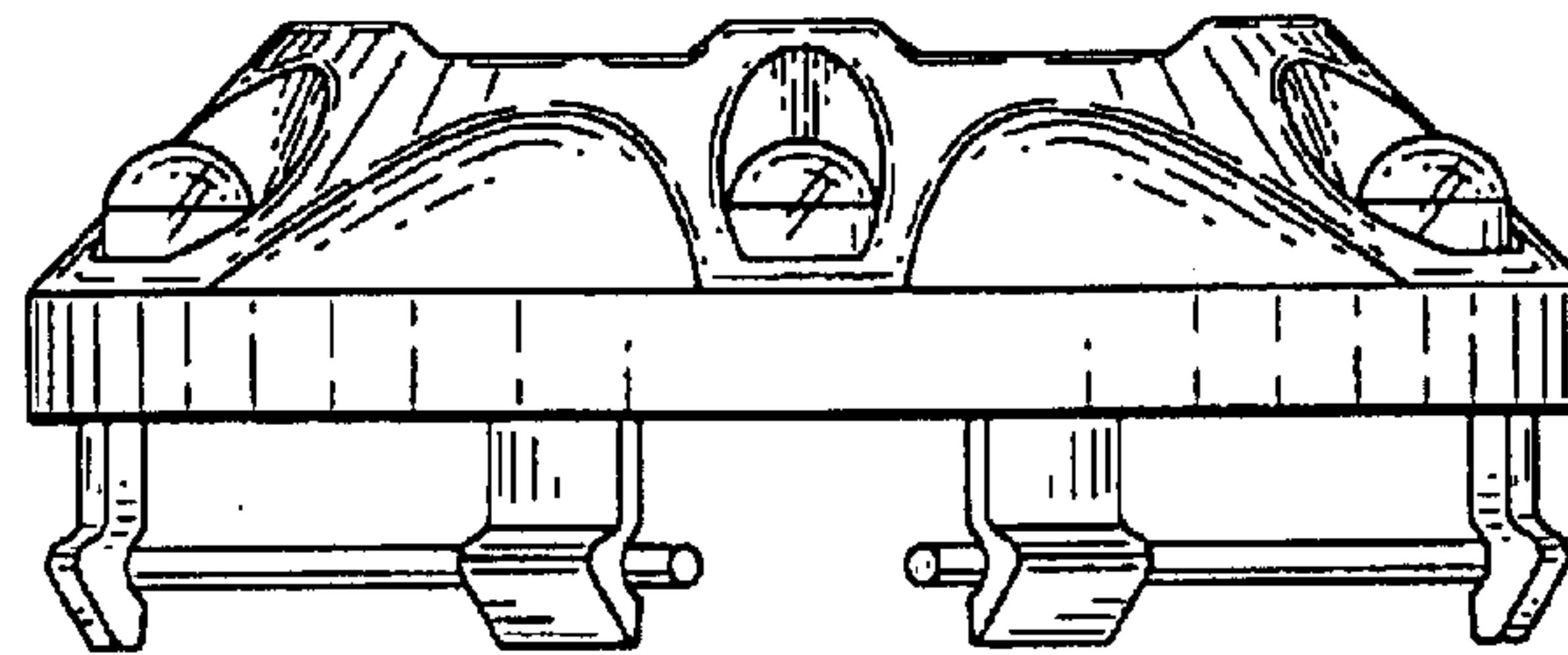
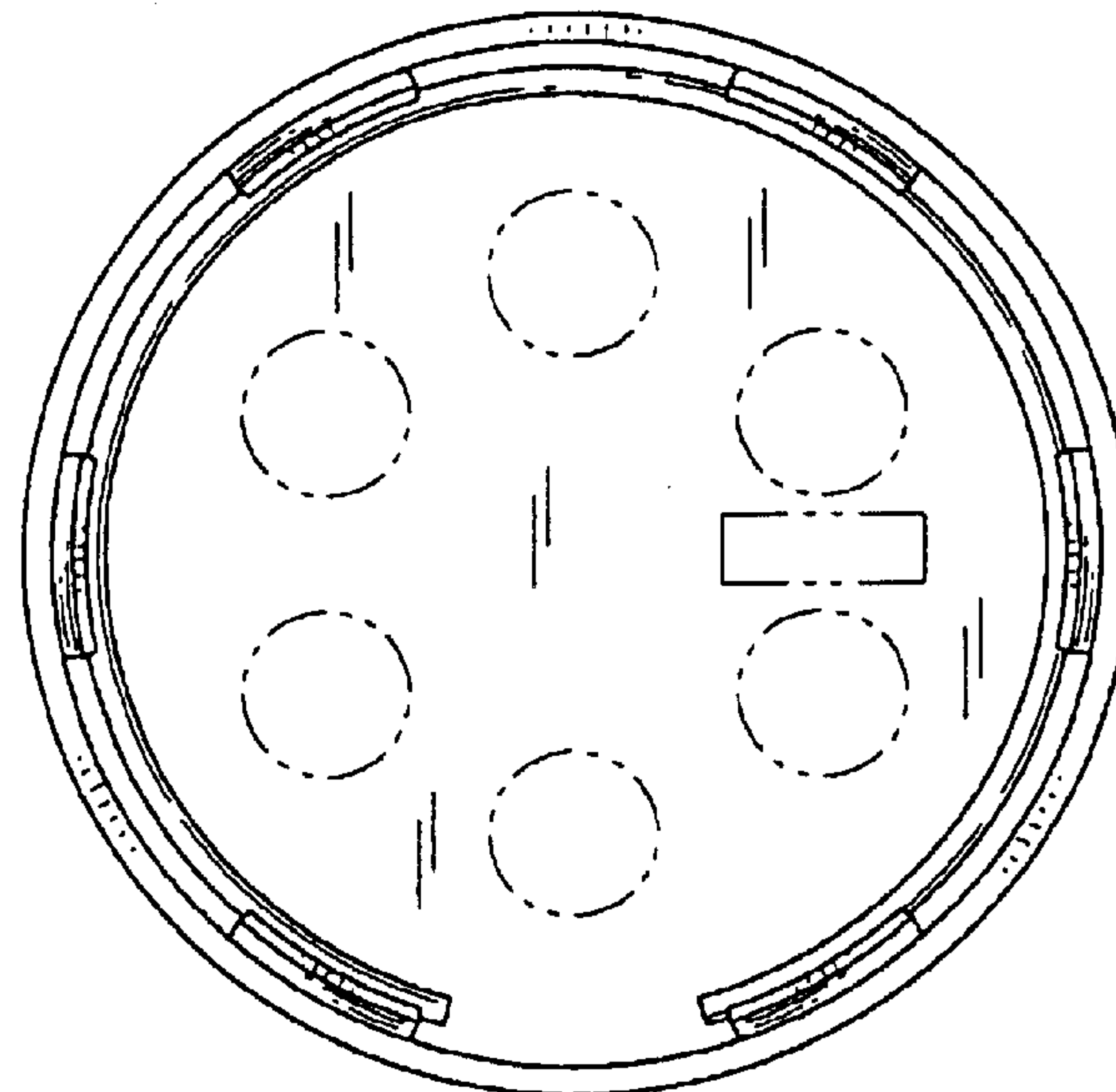


Fig. 6



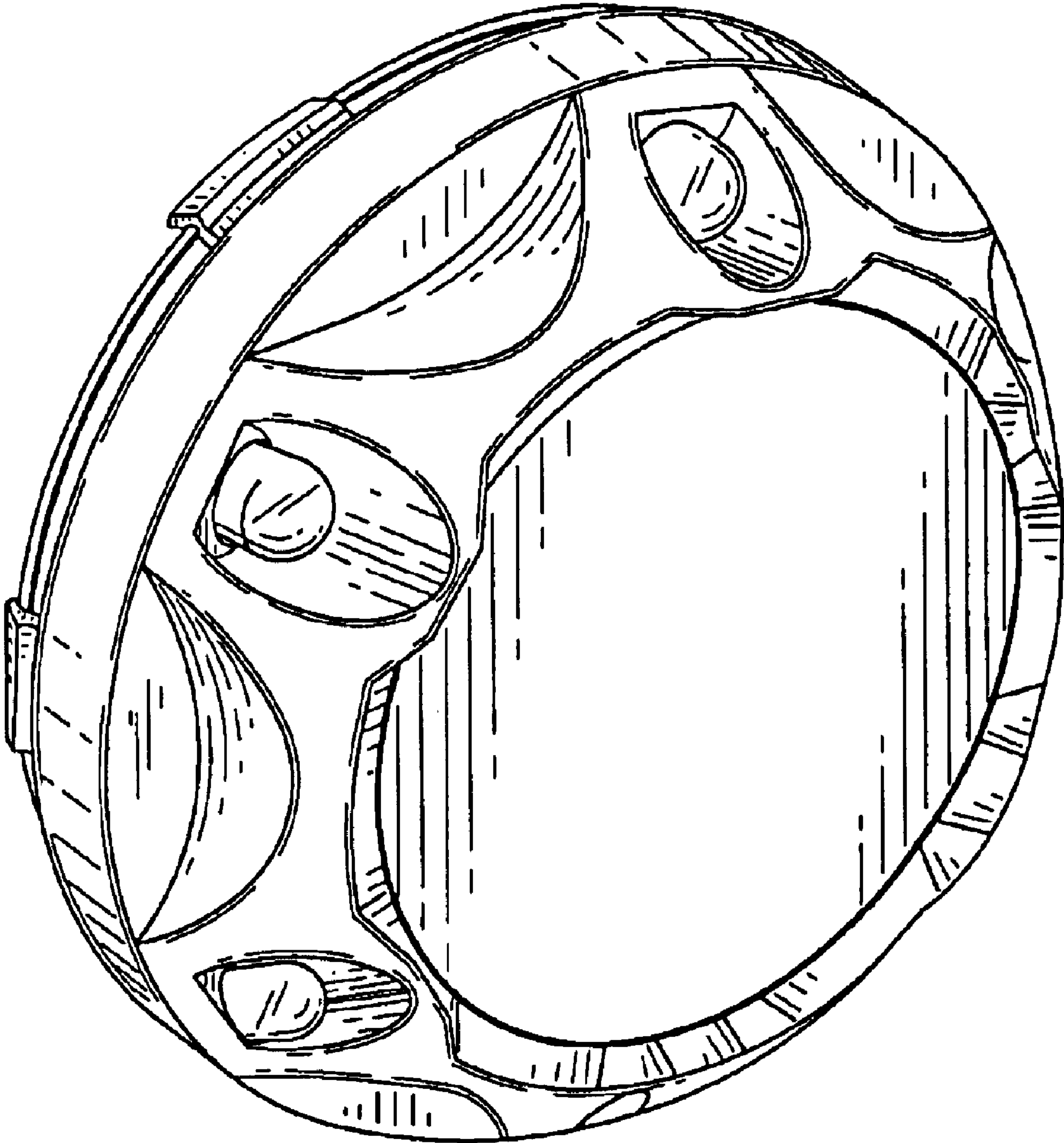


Fig. 7