

US00D498446S

(12) **United States Design Patent**
Bradley

(10) **Patent No.:** **US D498,446 S**

(45) **Date of Patent:** **** Nov. 16, 2004**

(54) **MIRROR HOLDER**

(76) **Inventor:** **John E. Bradley**, 17751 Panama City
Beach Pkwy. Unit 18-C, Panama City
Beach, FL (US) 32413

(**) **Term:** **14 Years**

(21) **Appl. No.:** **29/170,775**

(22) **Filed:** **Nov. 12, 2002**

(51) **LOC (7) Cl.** **12-16**

(52) **U.S. Cl.** **D12/187**

(58) **Field of Search** D12/187-189;
359/838, 842-850, 854, 862-868, 871-876,
881; 248/475.1, 302, 303

(56) **References Cited**

U.S. PATENT DOCUMENTS

2,869,425 A	1/1959	Kershaw
2,895,380 A	7/1959	Kurlytis
4,187,001 A	2/1980	Redwitz et al.
4,311,363 A	1/1982	Marsalka et al.
D274,054 S	5/1984	Barows
4,488,778 A	12/1984	Polzer et al.
D281,775 S	12/1985	Tanaka
4,637,694 A	1/1987	Castaneda
D293,903 S	1/1988	Kolenda et al.
4,776,231 A	10/1988	Cummins et al.
D300,312 S	3/1989	Skolger et al.
4,832,476 A	5/1989	Gabrielyan
D305,808 S	1/1990	Eisenbraun et al.
4,890,908 A	1/1990	Casey
4,892,401 A	1/1990	Kittridge et al.
4,906,088 A	3/1990	Casey
5,044,739 A	9/1991	do Espirito Santo
5,165,081 A	11/1992	Drumheller
D332,246 S	1/1993	Yeh
5,198,938 A	3/1993	Ward

D346,356 S	4/1994	Leu	
5,321,556 A	6/1994	Joe	
D375,926 S	11/1996	Snyder	
D395,861 S	* 7/1998	Schmidt et al.	D12/187
D401,200 S	* 11/1998	Huang	D12/187
D422,955 S	* 4/2000	Gabath	D12/187
D431,219 S	* 9/2000	Englander et al.	D12/187
D450,281 S	* 11/2001	Ypma et al.	D12/187
D460,934 S	* 7/2002	Richardson	D12/187

* cited by examiner

Primary Examiner—Melody N. Brown

(74) *Attorney, Agent, or Firm*—Fitch, Even, Tabin & Flannery

(57) **CLAIM**

The ornamental design for a mirror holder, as shown and described.

DESCRIPTION

FIG. 1 is a perspective view illustrating an embodiment of the mirror holder of my new design, comprising a mirror holder and showing a convex mirror therein;

FIG. 2 is a front elevation view thereof;

FIG. 3 is a top plan view thereof;

FIG. 4 is a right side elevation view thereof, the left side elevation view being the mirror image thereof;

FIG. 5 is a rear elevation view thereof;

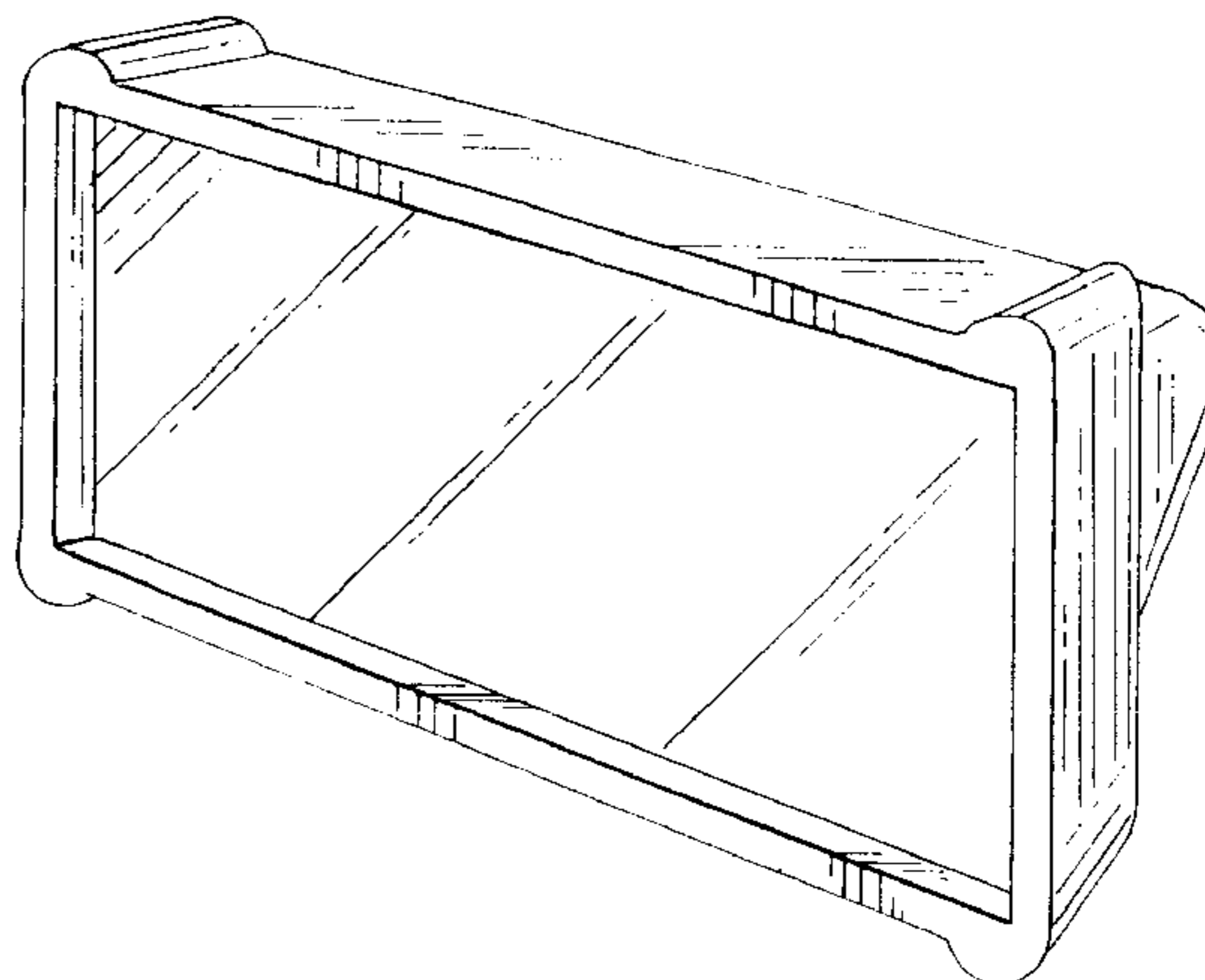
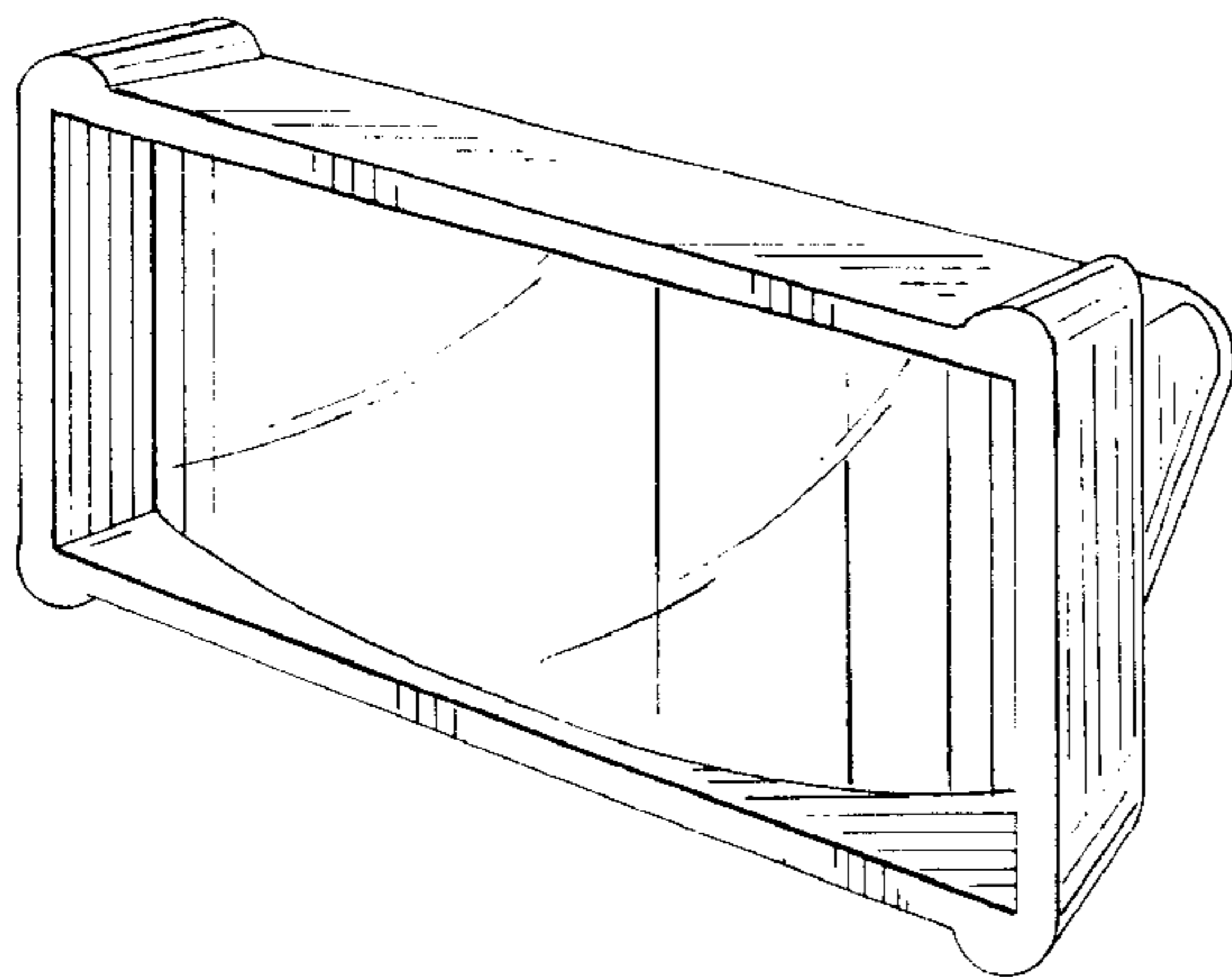
FIG. 6 is a bottom plan view thereof;

FIG. 7 is a perspective view illustrating the mirror of my new design, comprising a mirror holder, and showing a flat mirror therein the top, right and left side, rear and bottom views are the same as in FIGS. 3-6; and,

FIG. 8 is a front elevation view thereof.

Portions of the mirror holder are shown in broken lines in FIGS. 3-6 for illustrative purposes only and form no part of the claimed design.

1 Claim, 3 Drawing Sheets



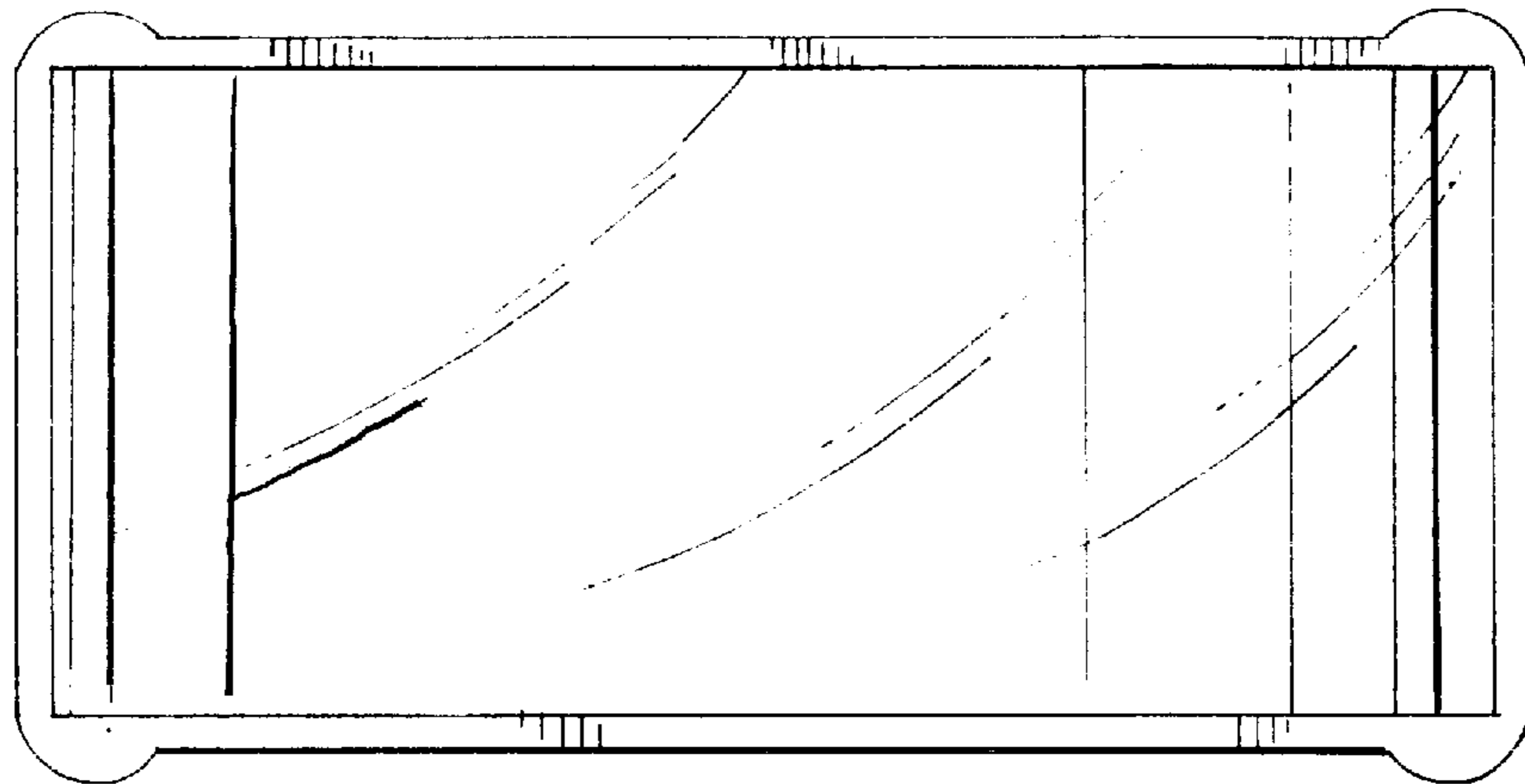
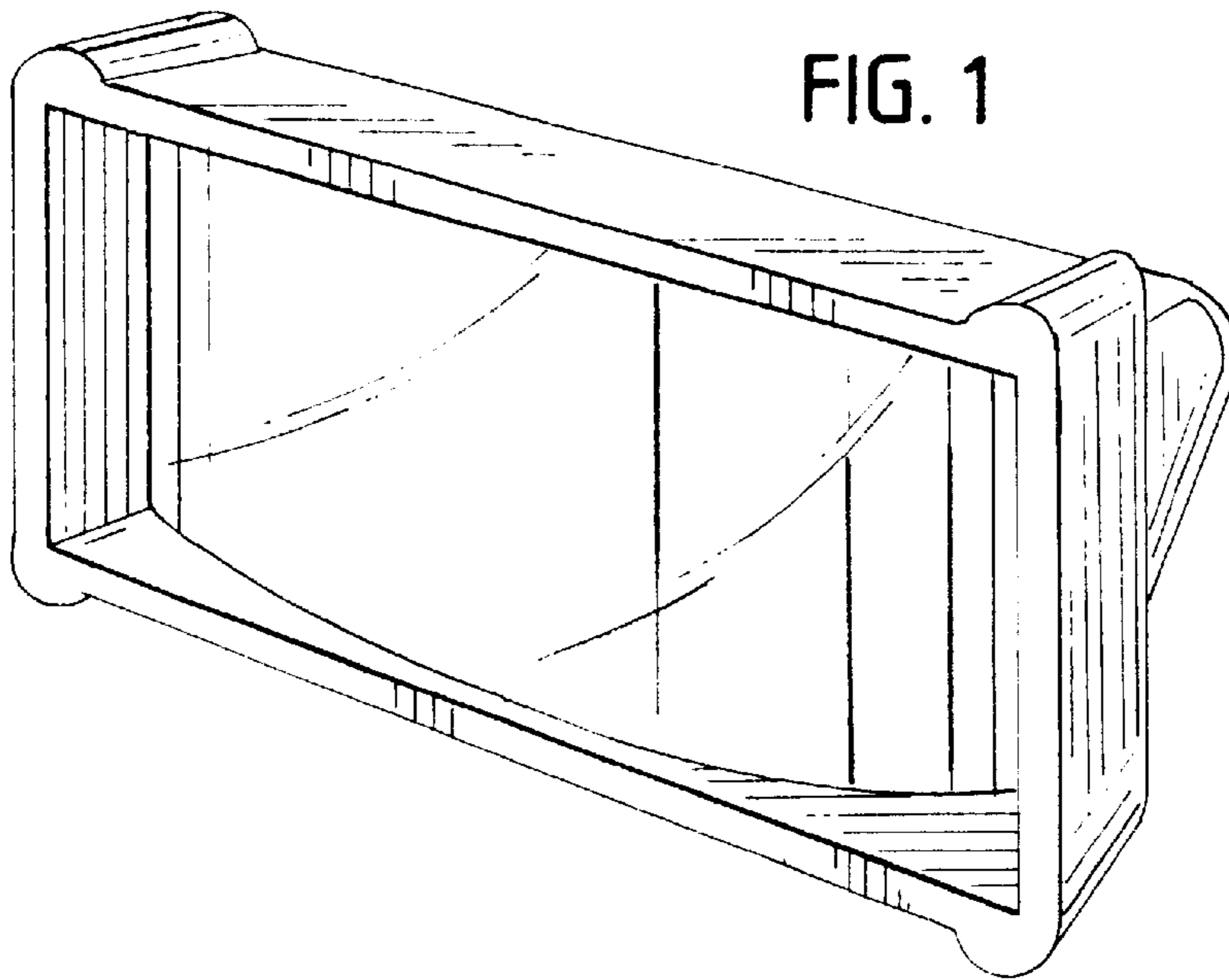


FIG. 3

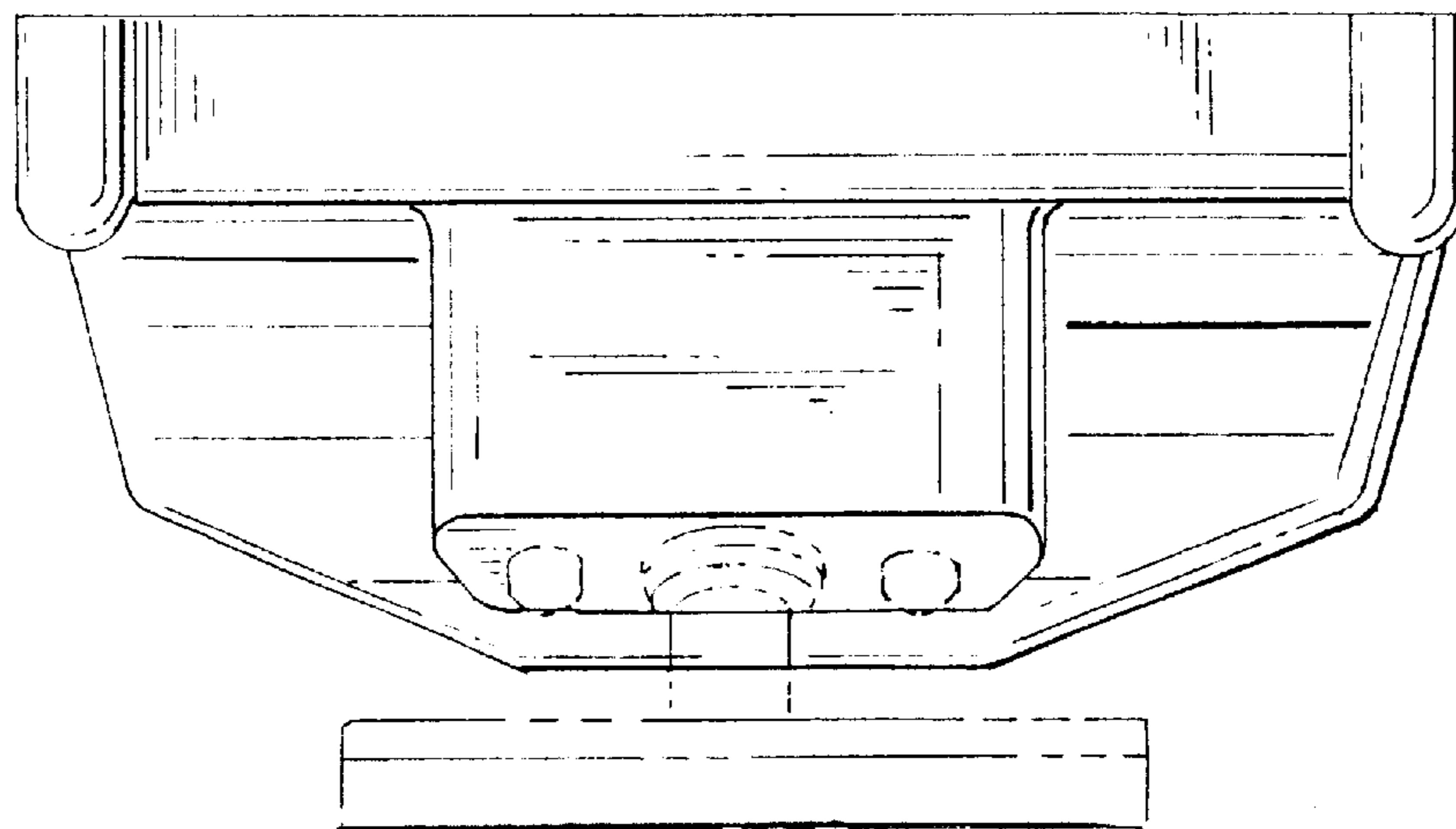


FIG. 4

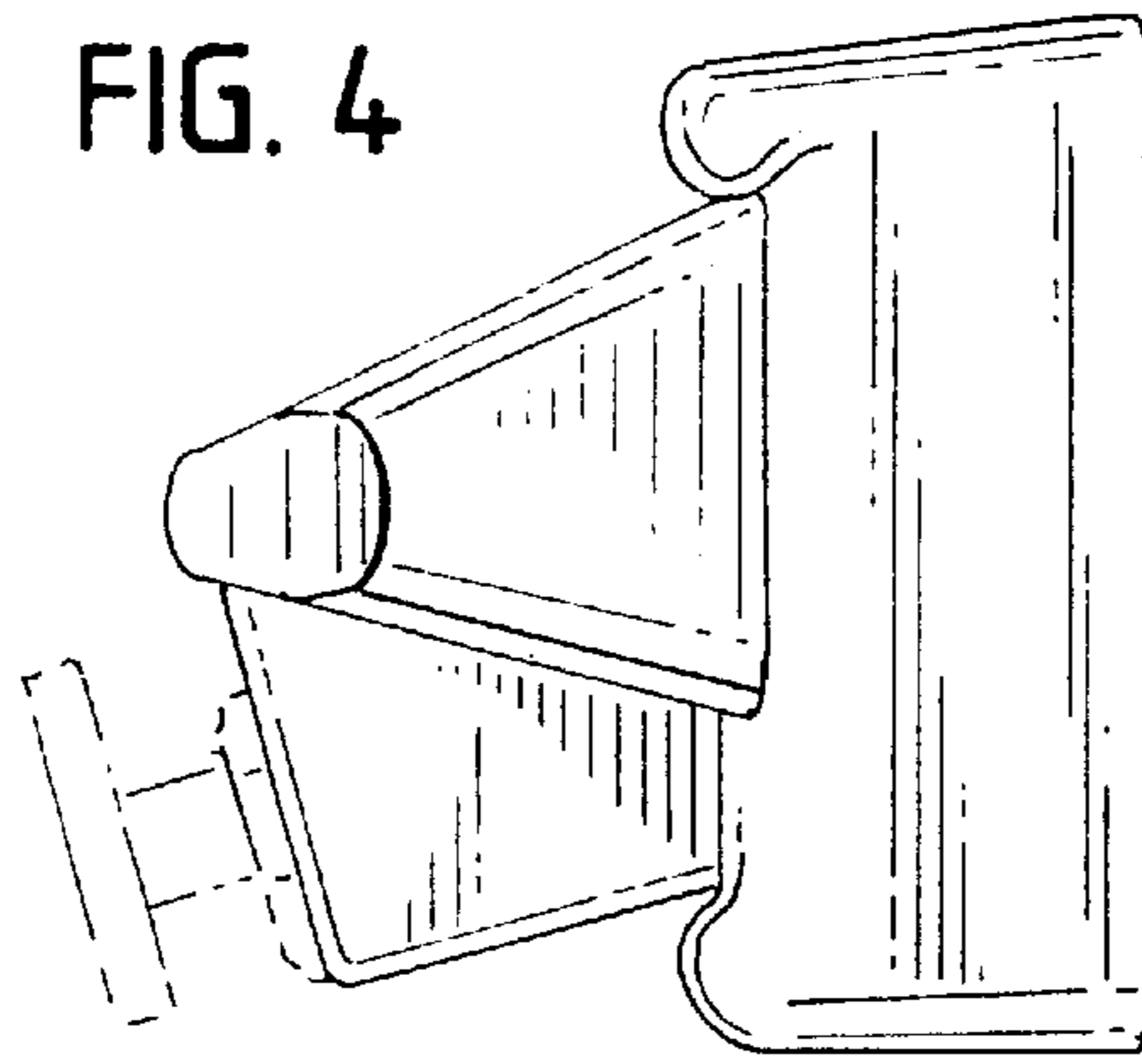


FIG. 5

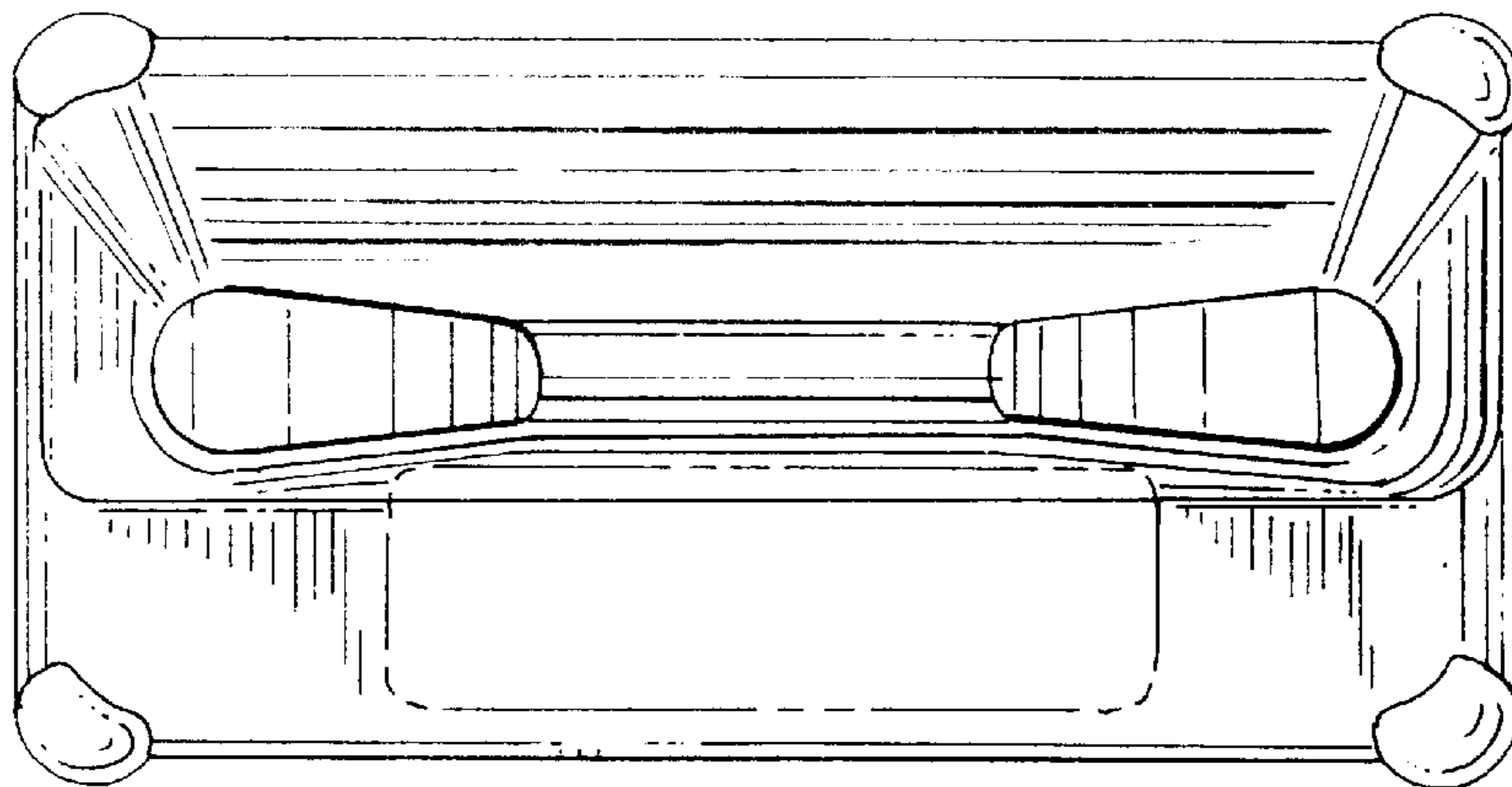


FIG. 6

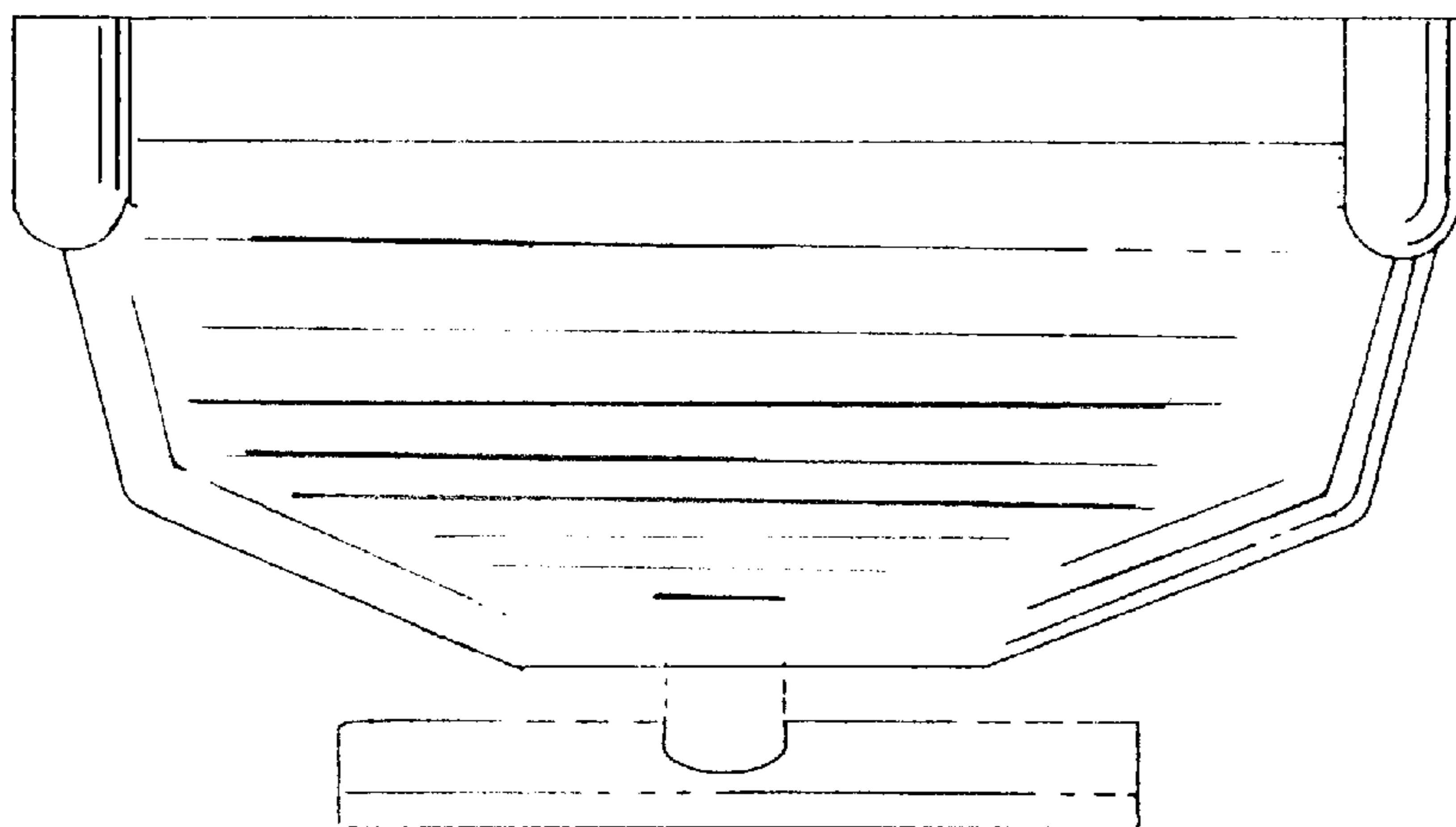


FIG. 7

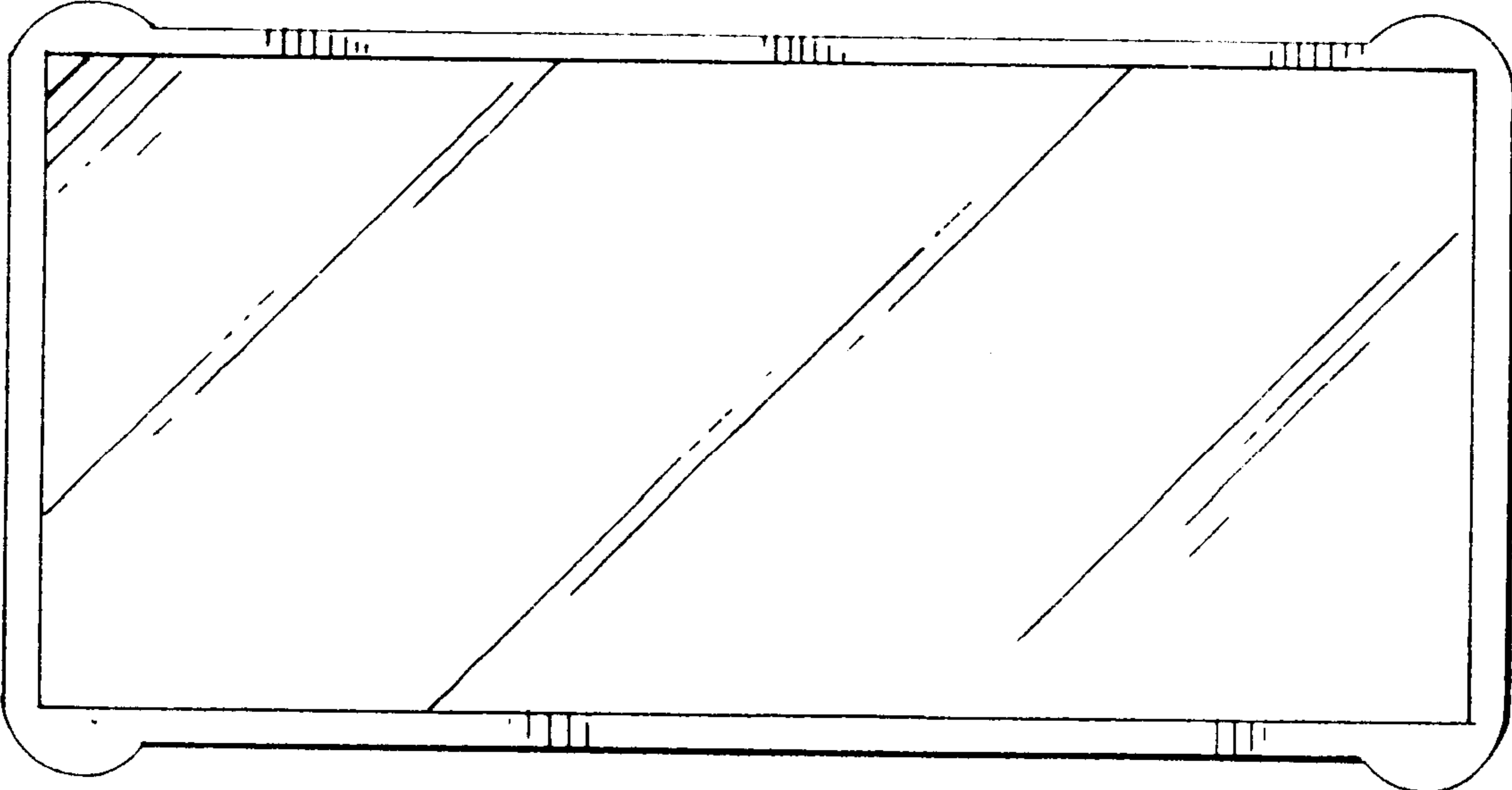
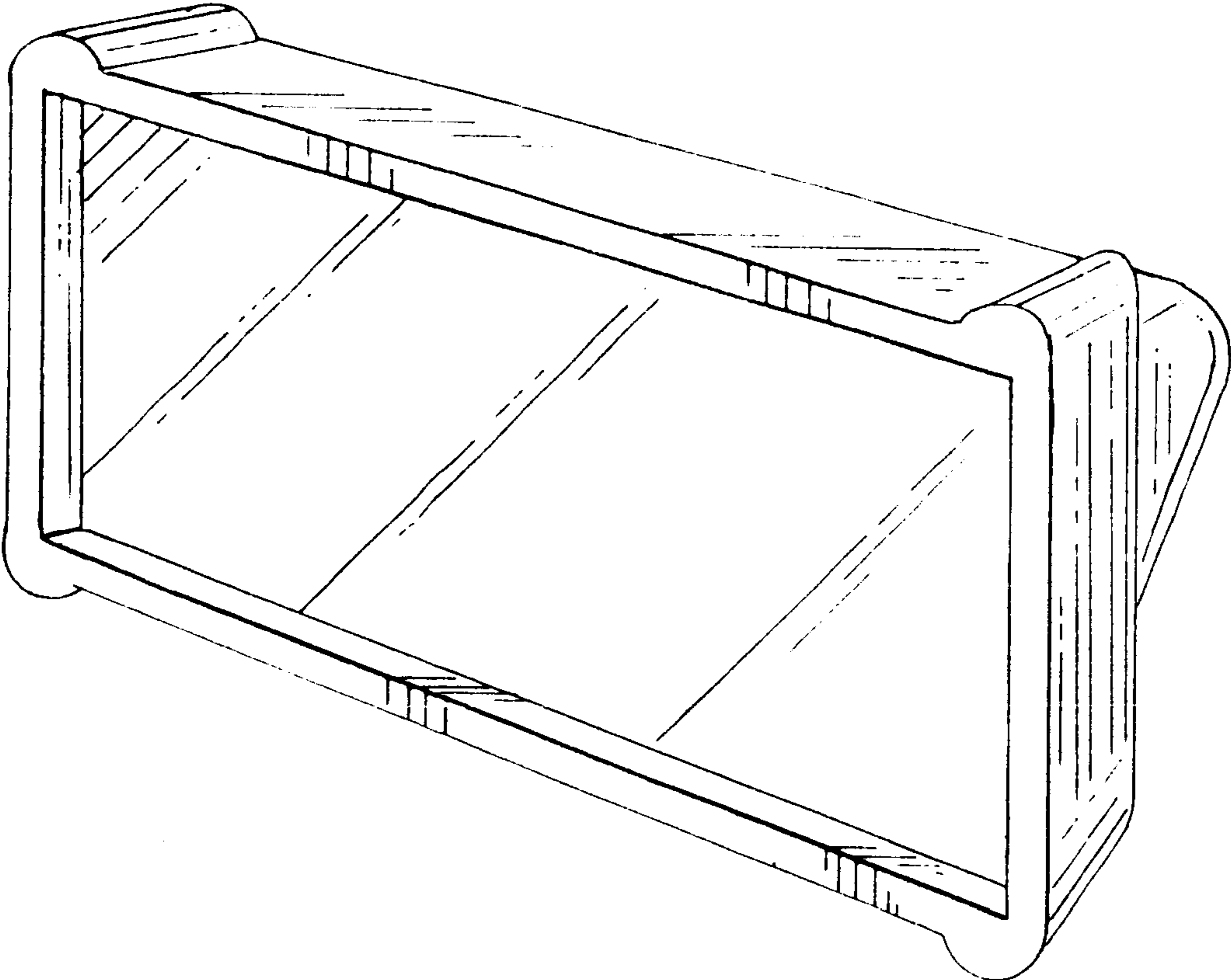


FIG. 8