

US00D498440S

(12) **United States Design Patent**  
**Tiyawatchalpong**

(10) **Patent No.:** **US D498,440 S**

(45) **Date of Patent:** **\*\* Nov. 16, 2004**

(54) **BICYCLE GUSSET**

D456,329 S \* 4/2002 Thomas ..... D12/186

(75) Inventor: **Jantana Tiyawatchalpong**, Bangkok  
Metropolis (TH)

\* cited by examiner

(73) Assignee: **Magic Cycle Industrial Co., Ltd.**,  
Amphur Sampran (TH)

*Primary Examiner*—Alan P. Douglas

*Assistant Examiner*—Linda Brooks

(74) *Attorney, Agent, or Firm*—Stites & Harbison PLLC;  
Ross F. Hunt, Jr.

(\*\*) Term: **14 Years**

(57) **CLAIM**

(21) Appl. No.: **29/190,322**

The ornamental design for a bicycle gusset, as shown and described.

(22) Filed: **Sep. 22, 2003**

(30) **Foreign Application Priority Data**

**DESCRIPTION**

Mar. 26, 2003 (TH) ..... 081289

FIG. 1 is a perspective view of the bicycle gusset of the present invention;

(51) **LOC (7) Cl.** ..... **12-11**

FIG. 2 is a rear elevational view thereof;

(52) **U.S. Cl.** ..... **D12/114**

FIG. 3 is a top plan view thereof;

(58) **Field of Search** ..... D12/111, 114,  
D12/186; 280/152.1–152.3, 160.1, 852;  
293/105

FIG. 4 is a left side elevational view thereof;

FIG. 5 is a right side elevational view thereof;

(56) **References Cited**

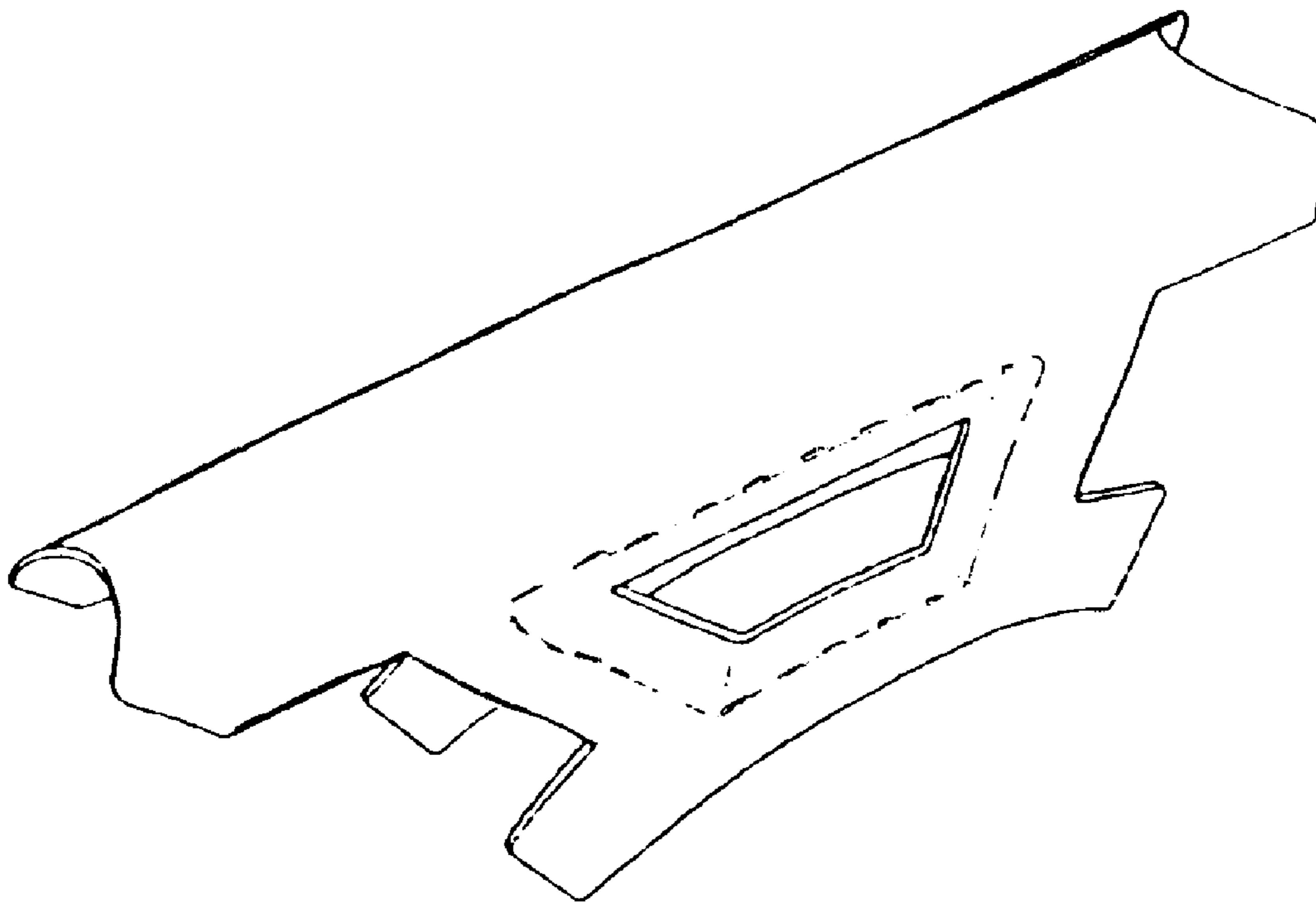
FIG. 6 is a bottom plan view thereof; and,

FIG. 7 is a front elevational view thereof.

**U.S. PATENT DOCUMENTS**

D305,114 S \* 12/1989 Paduganan ..... D12/186

**1 Claim, 2 Drawing Sheets**



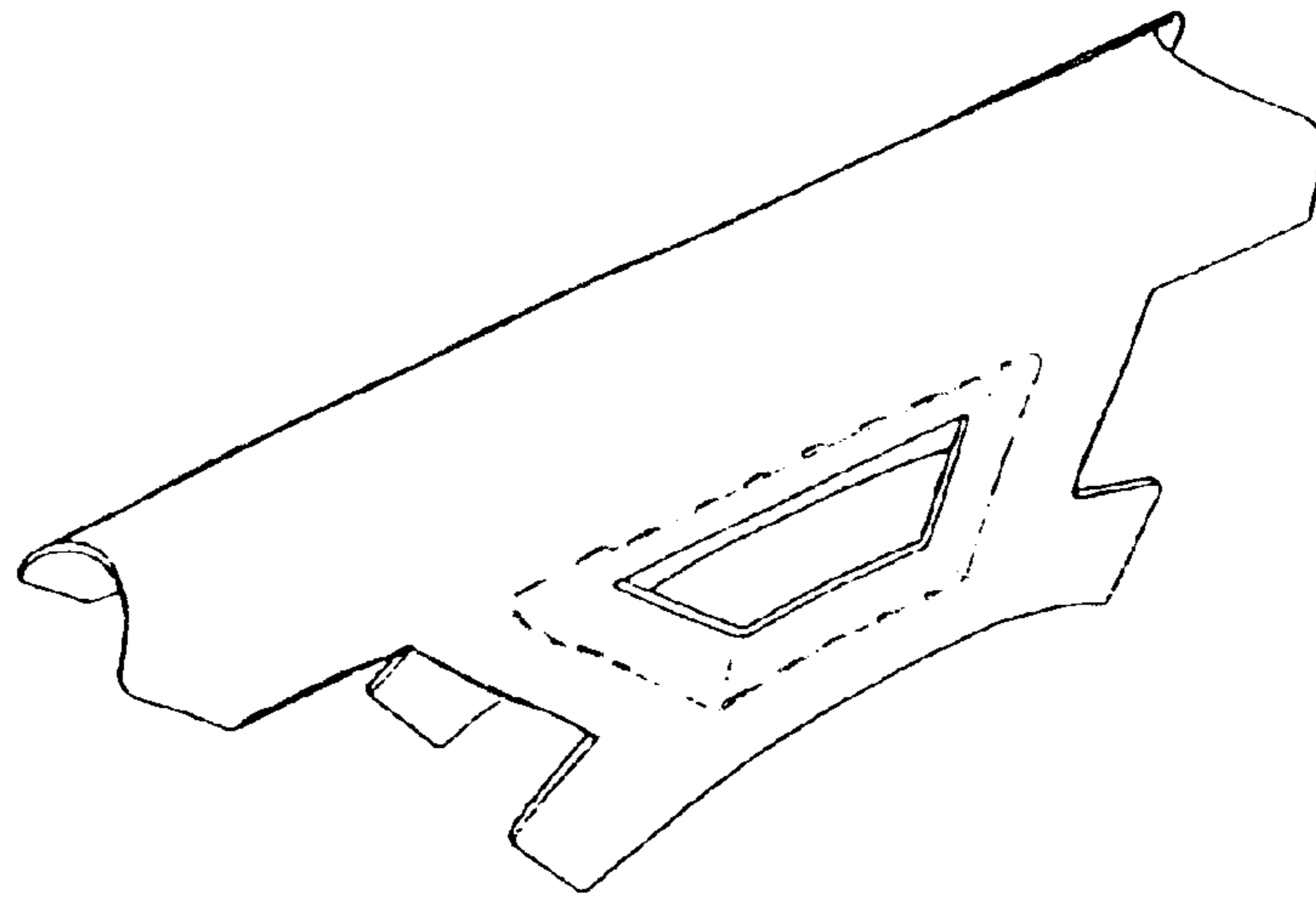


FIG. 1

FIG. 2

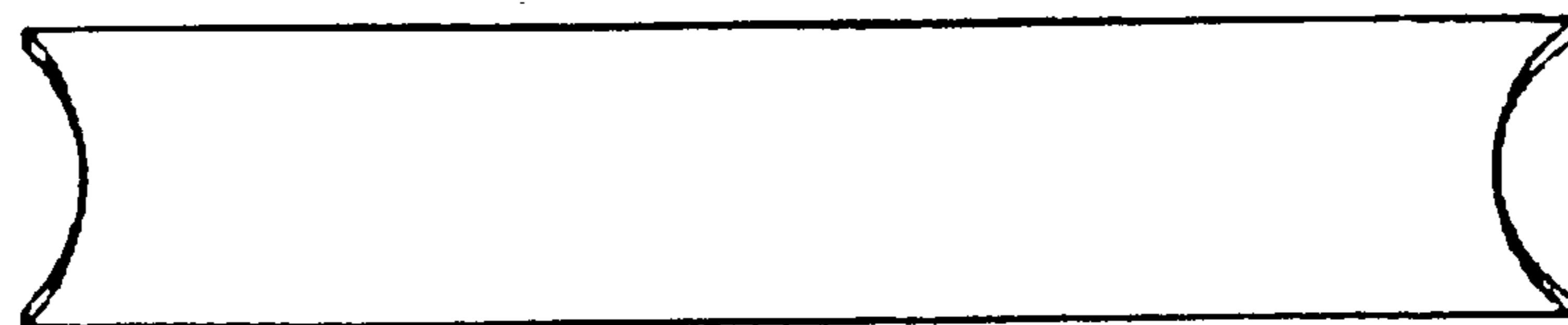
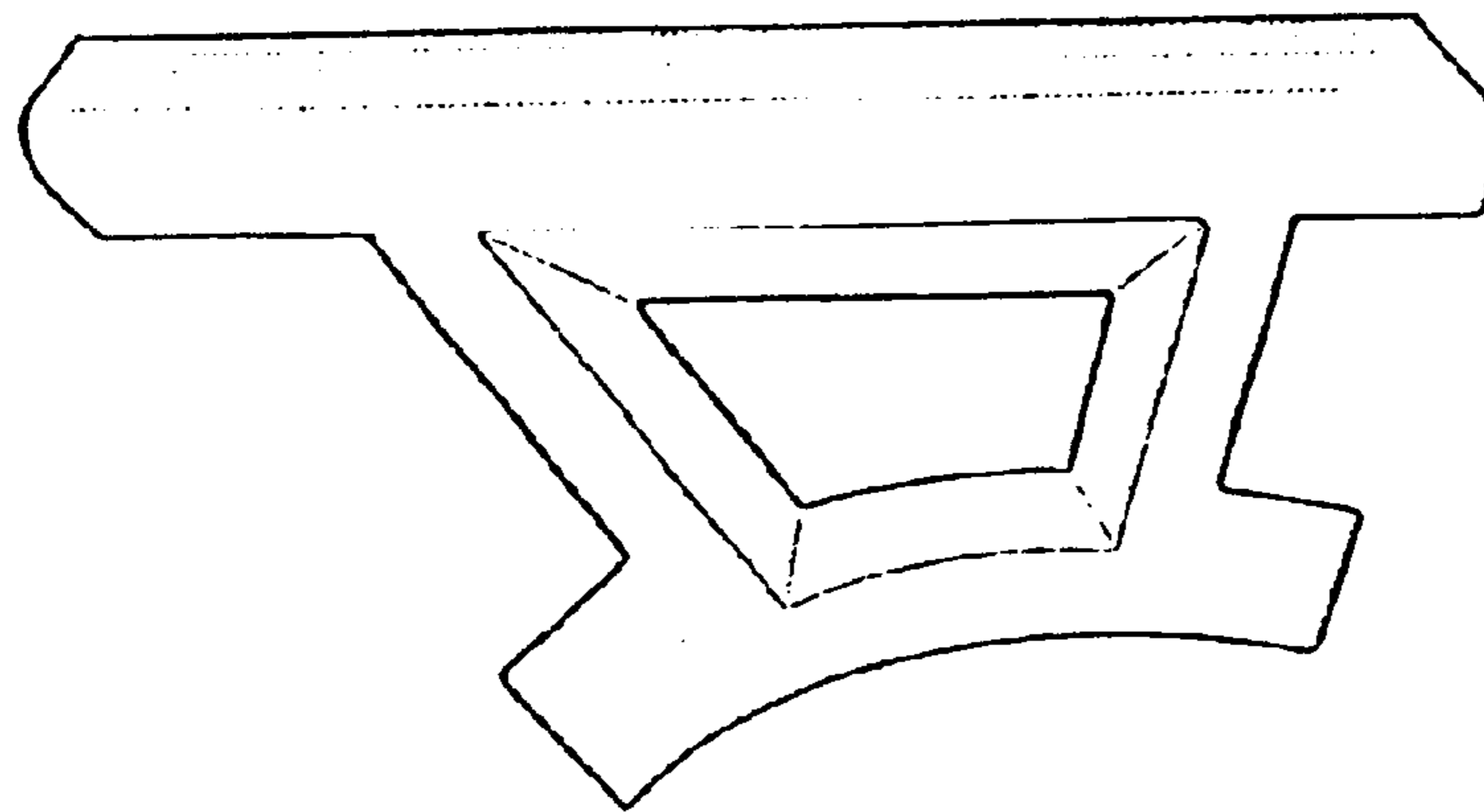


FIG. 3

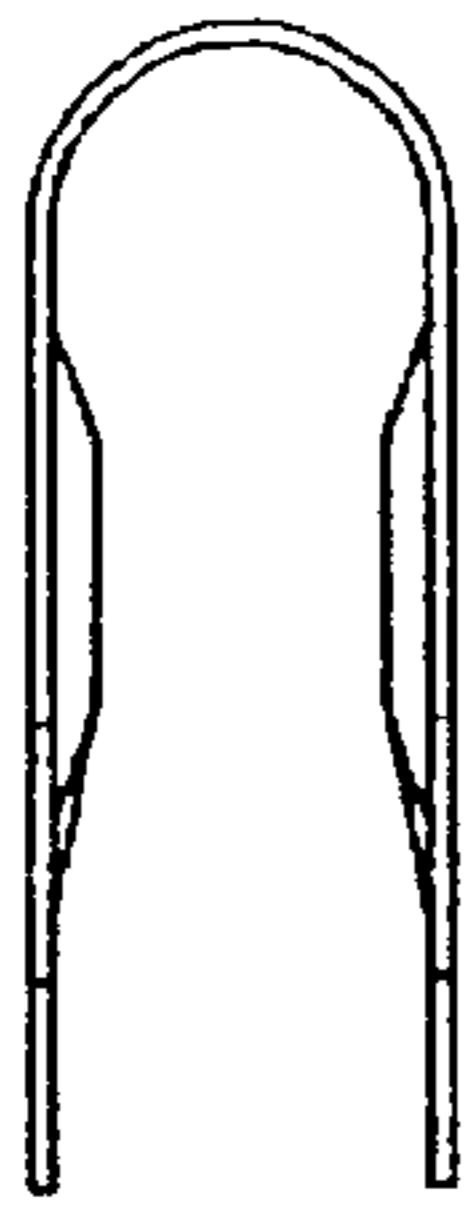


FIG. 4

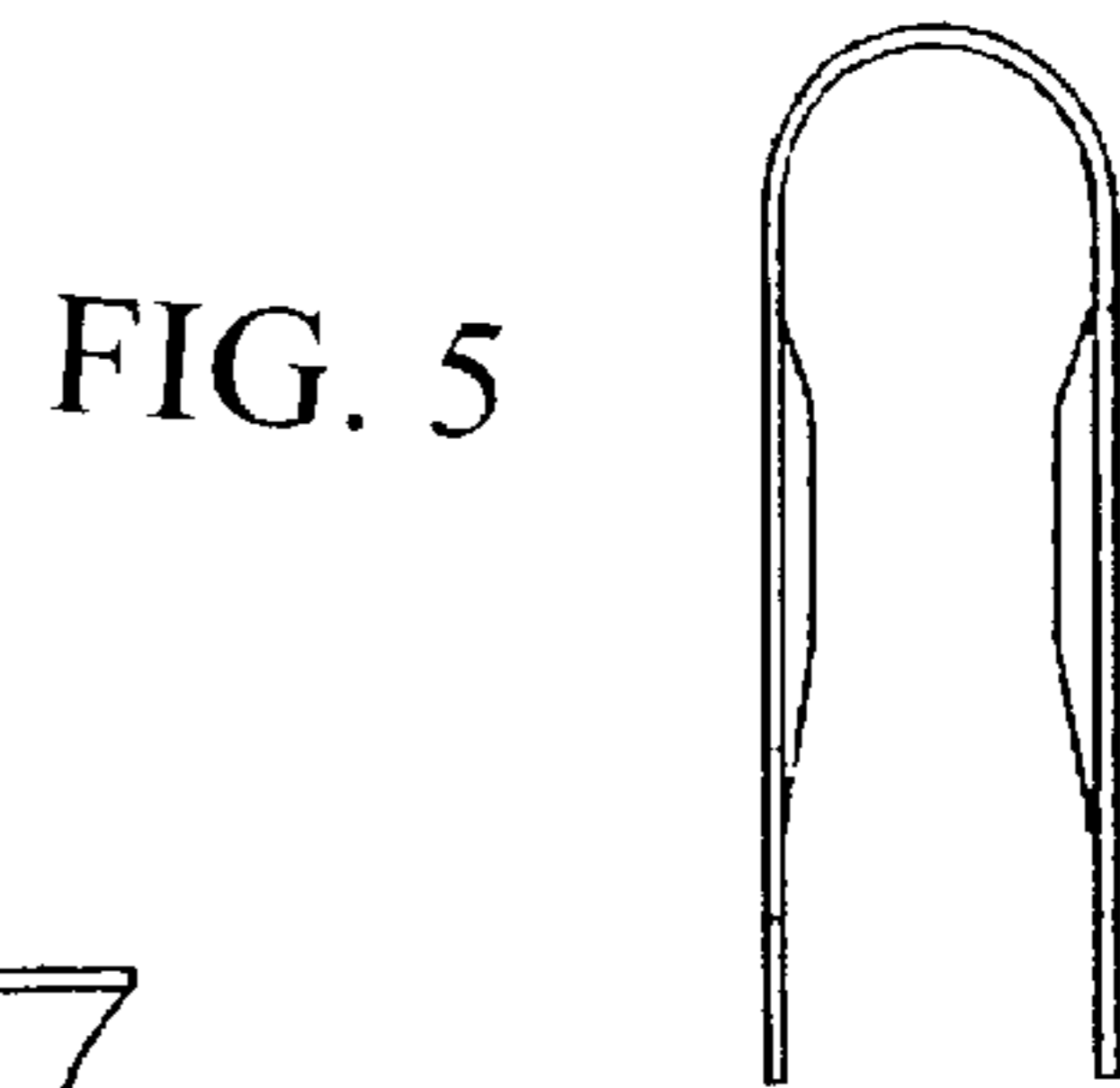


FIG. 5

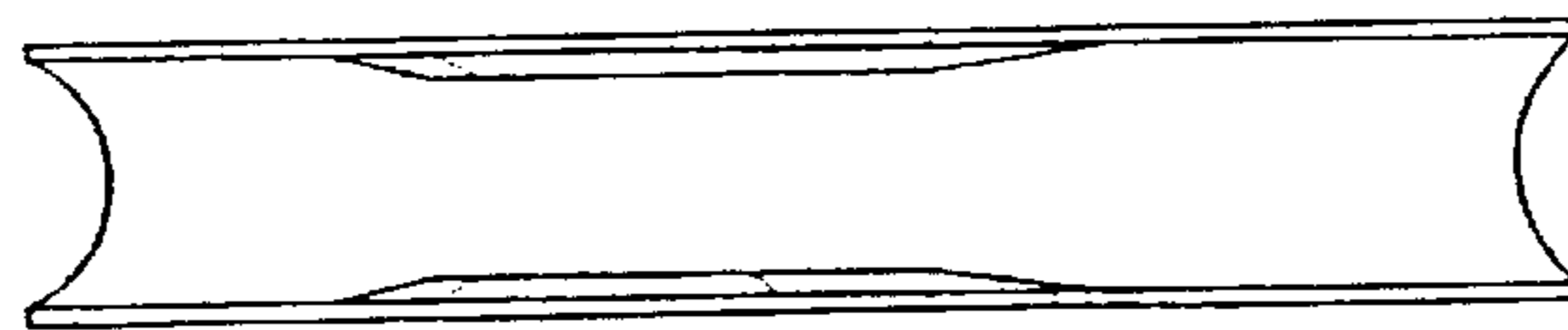


FIG. 6

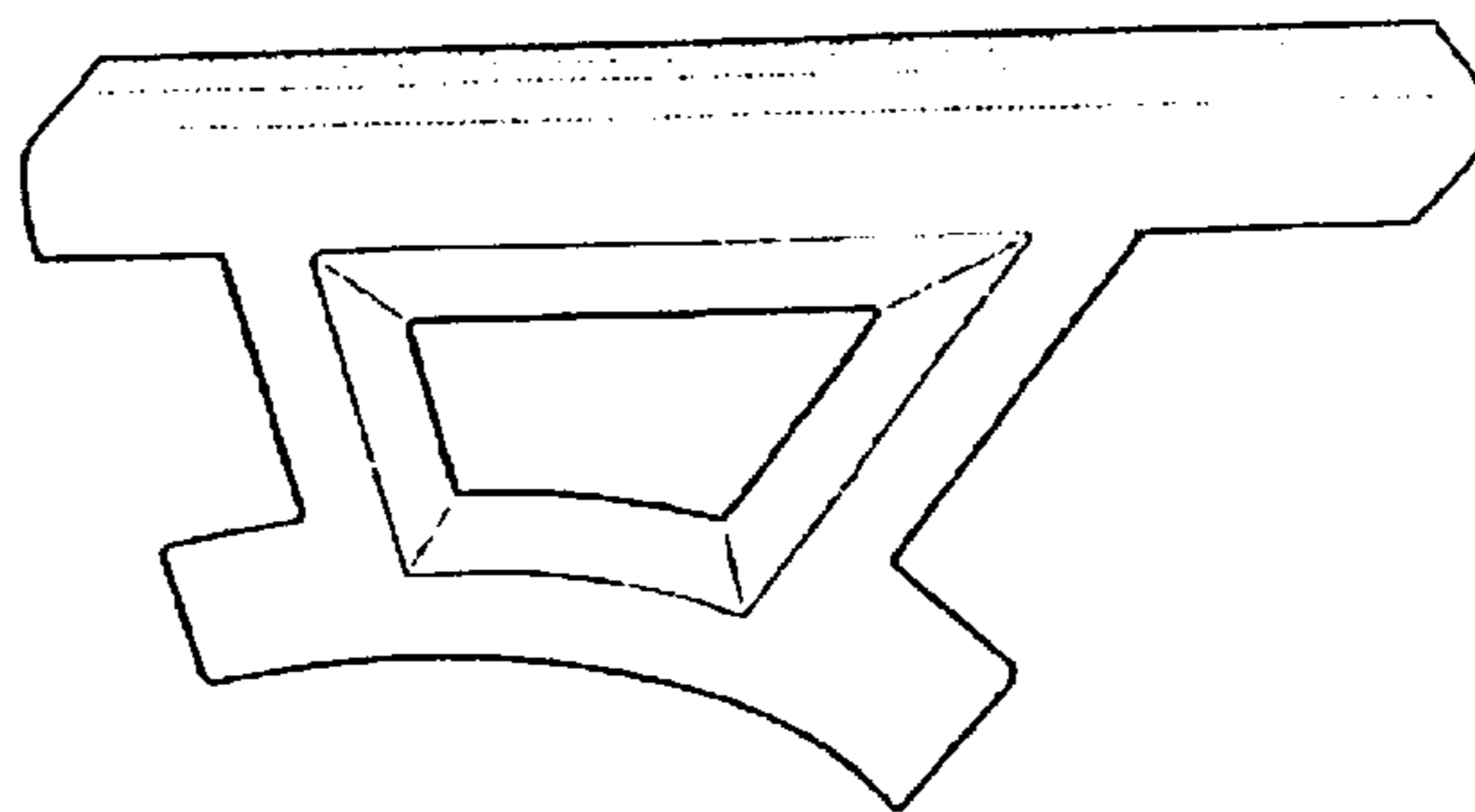


FIG. 7