

US00D498438S

(12) **United States Design Patent**
Ying

(10) **Patent No.:** **US D498,438 S**
(45) **Date of Patent:** **** Nov. 16, 2004**

(54) **ELECTRIC BICYCLE**

(76) **Inventor:** **Xiongxin Ying**, No. 28, Huan Zhen
Nan Road, Zhi Ying Town, Yong Kang
City, Zhe Jiang Province (CN), 321306

(**) **Term:** **14 Years**

(21) **Appl. No.:** **29/196,148**

(22) **Filed:** **Dec. 24, 2003**

(51) **LOC (7) Cl.** **12-11**

(52) **U.S. Cl.** **D12/111**

(58) **Field of Search** D12/110, 111;
180/65.1, 65.2, 68.5, 205-207, 219, 220,
231; 280/278, 287, 274, 281.1, 288.1-288.3

(56) **References Cited**

U.S. PATENT DOCUMENTS

D294,338 S * 2/1988 Yamada et al. D12/110
D434,349 S * 11/2000 Currie et al. D12/111

* cited by examiner

Primary Examiner—Alan P. Douglas

Assistant Examiner—Linda Brooks

(74) *Attorney, Agent, or Firm*—Lowe Hauptman Gilman &
Berner LLP

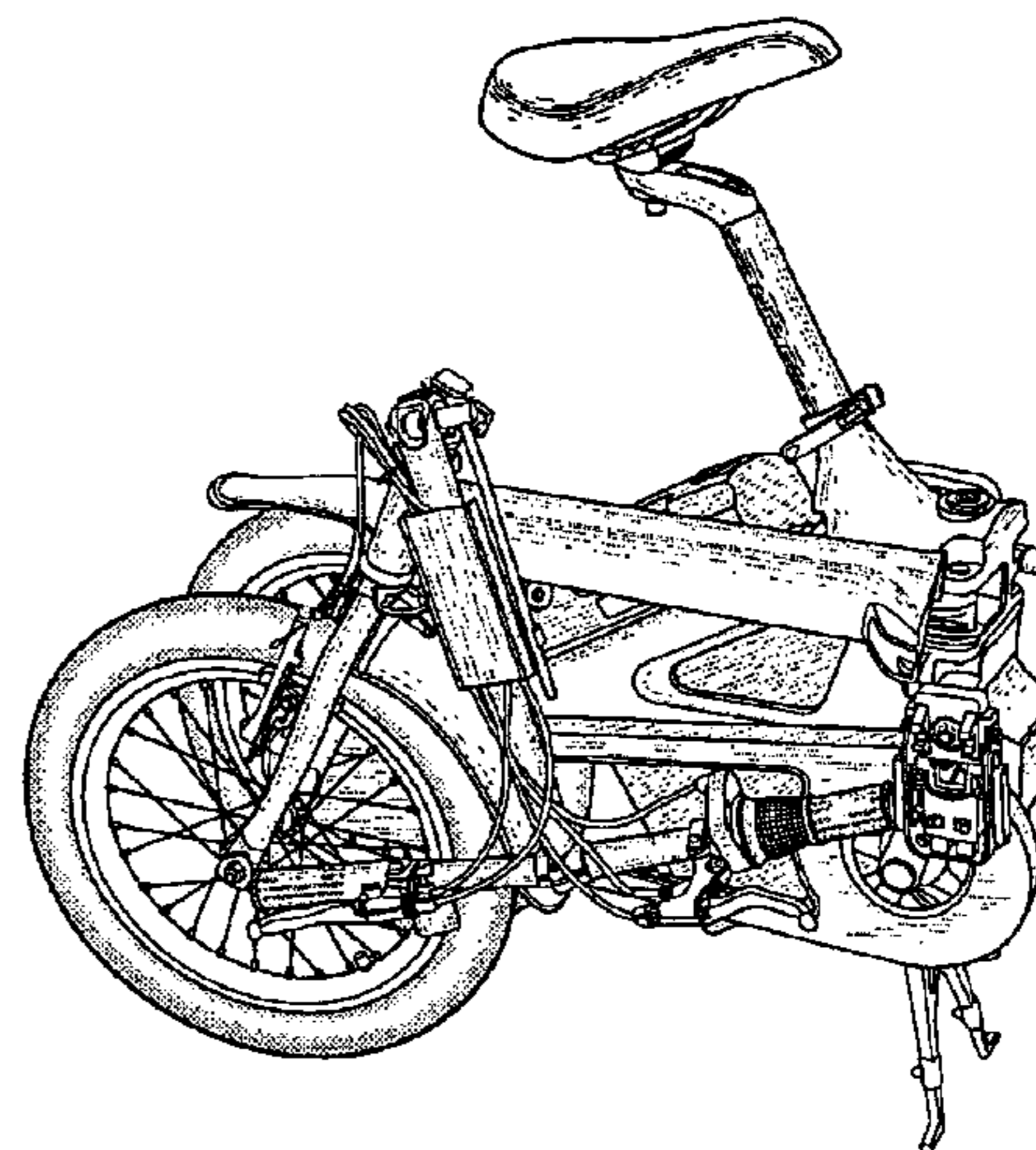
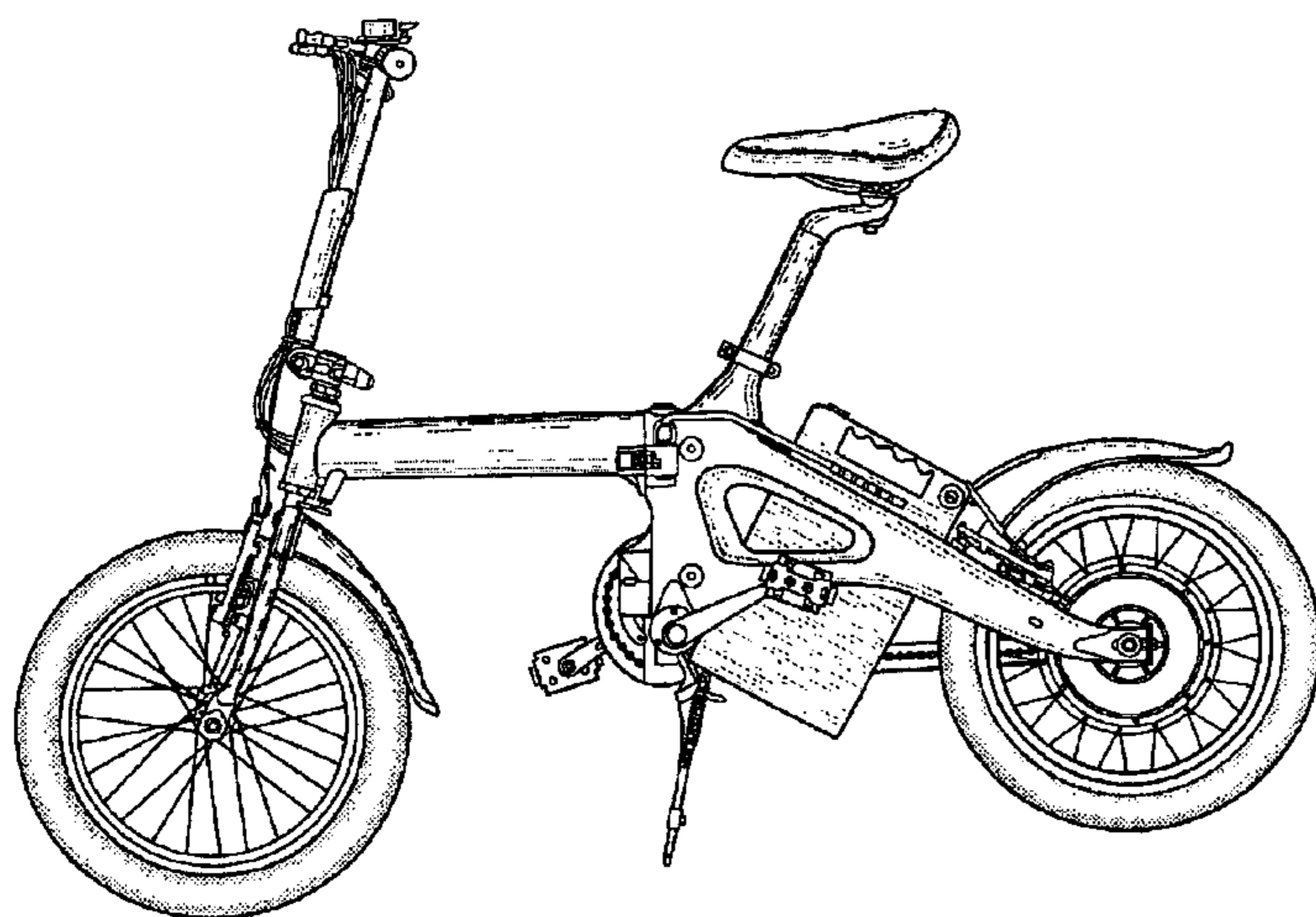
(57) **CLAIM**

The ornamental design for an electric bicycle, as shown and
described.

DESCRIPTION

FIG. 1 is a front view of an electric bicycle in accordance
with the design;
FIG. 2 is a back view of the electric bicycle in FIG. 1;
FIG. 3 is a top view of the electric bicycle in FIG. 1;
FIG. 4 is a bottom view of the electric bicycle in FIG. 1;
FIG. 5 is a left view of the electric bicycle in FIG. 1;
FIG. 6 is a right view of the electric bicycle in FIG. 1; and,
FIG. 7 is a perspective view of the electric bicycle in FIG.
2 in a folded state.

1 Claim, 4 Drawing Sheets



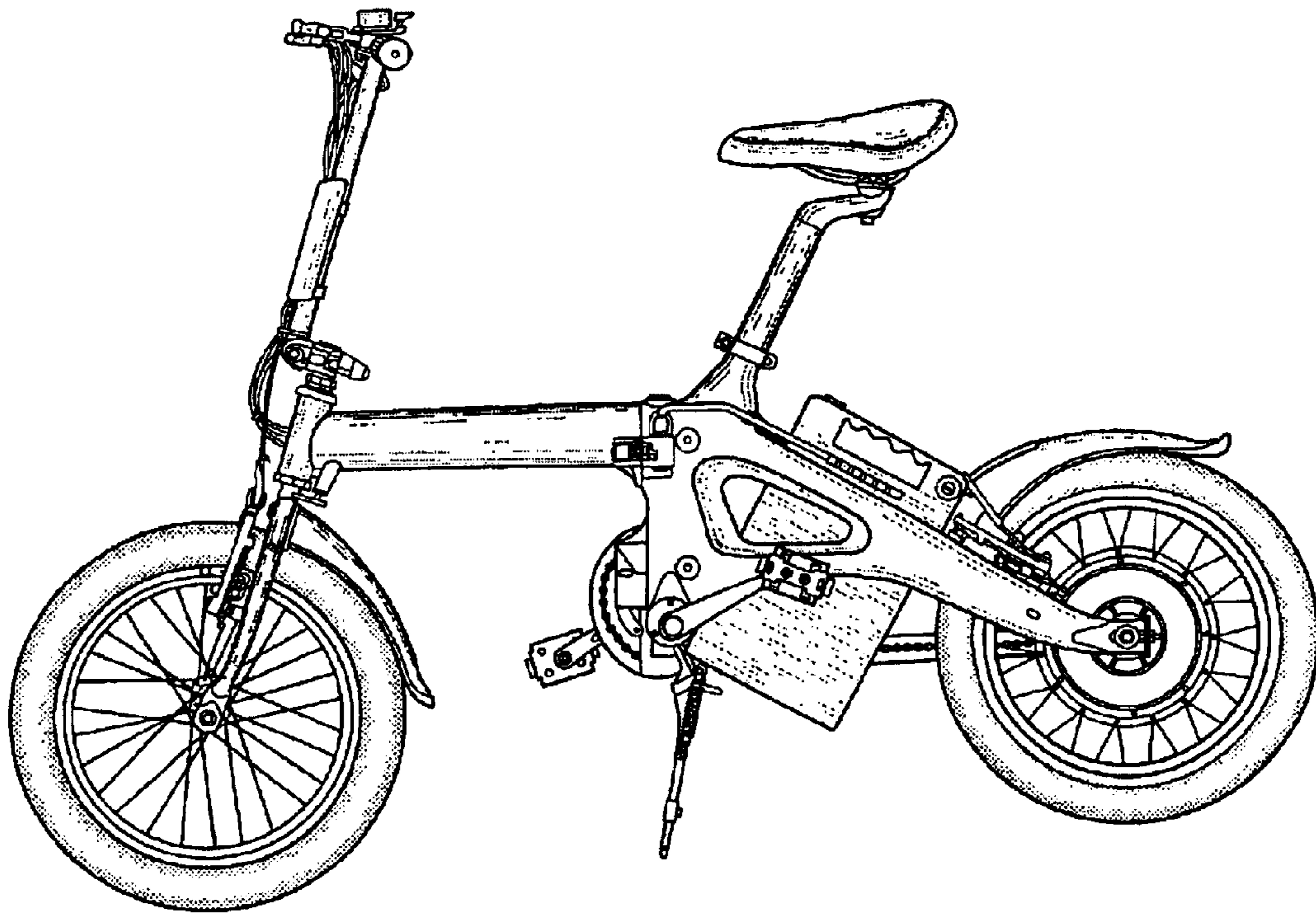


FIGURE 1

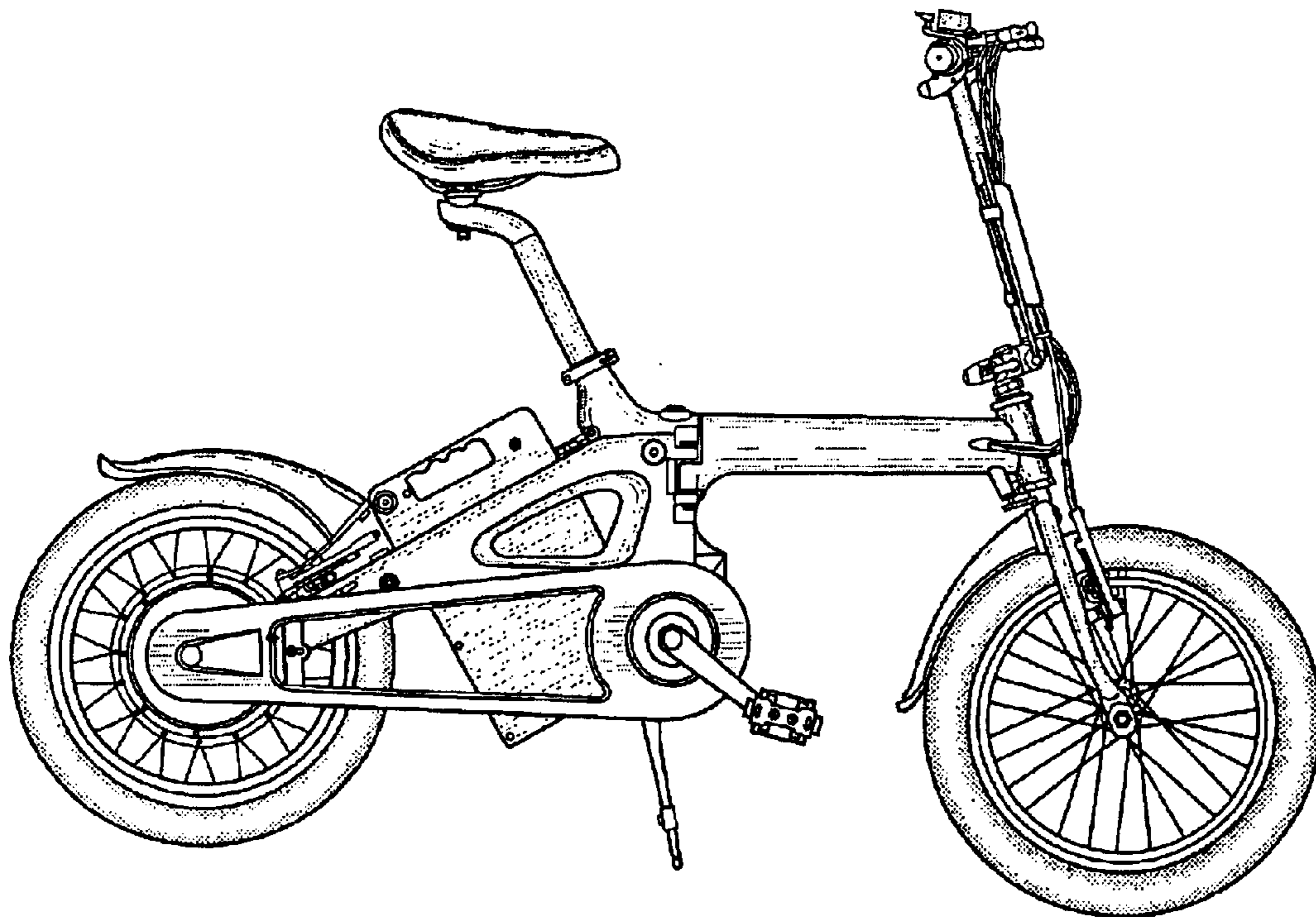


FIGURE 2

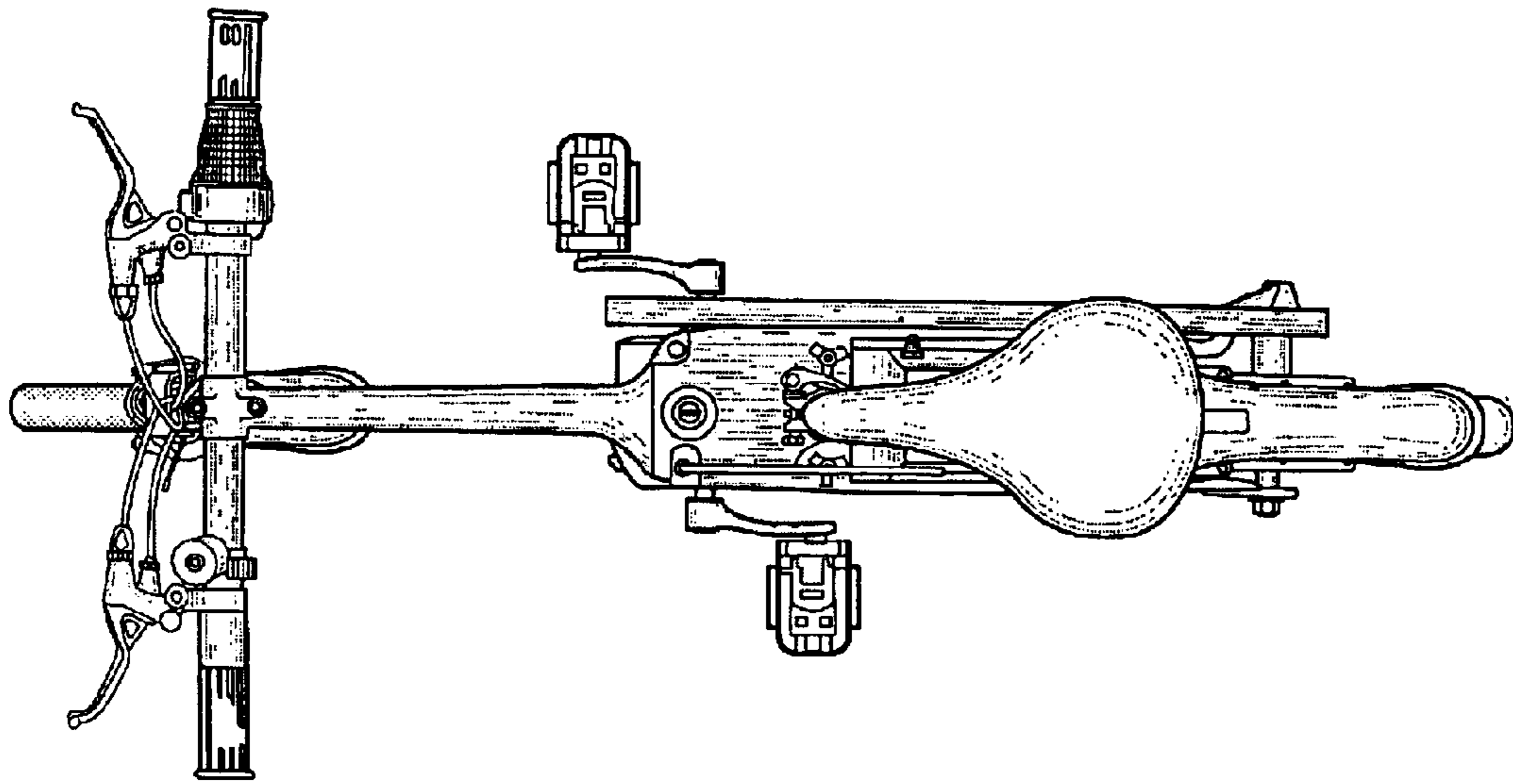


FIGURE 3

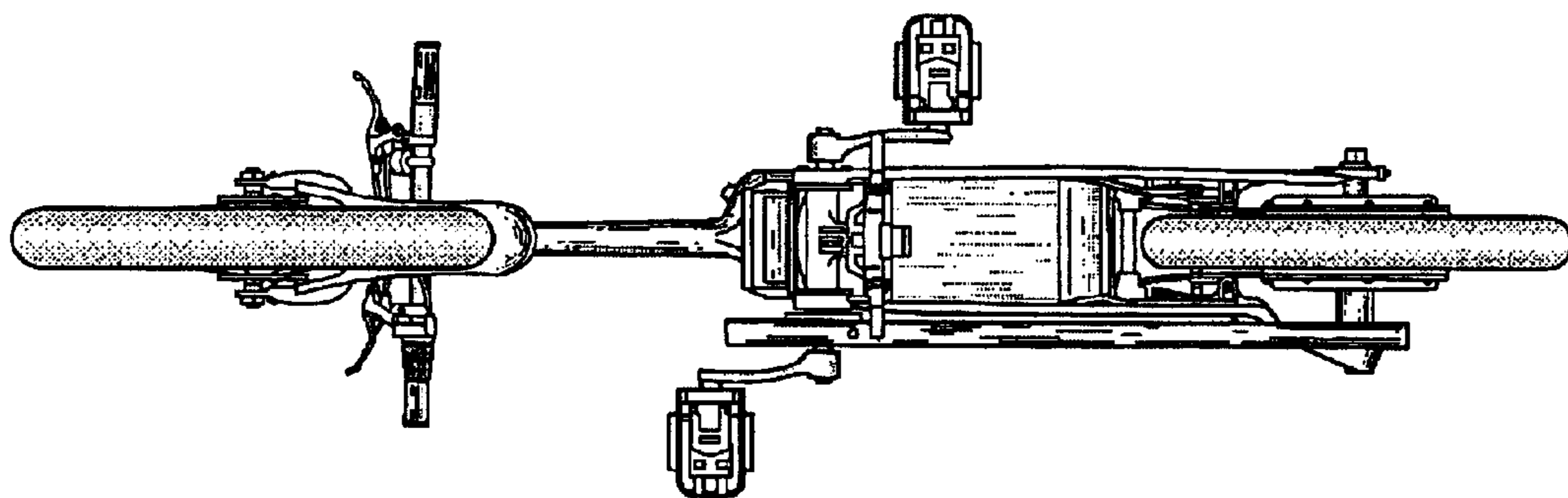


FIGURE 4

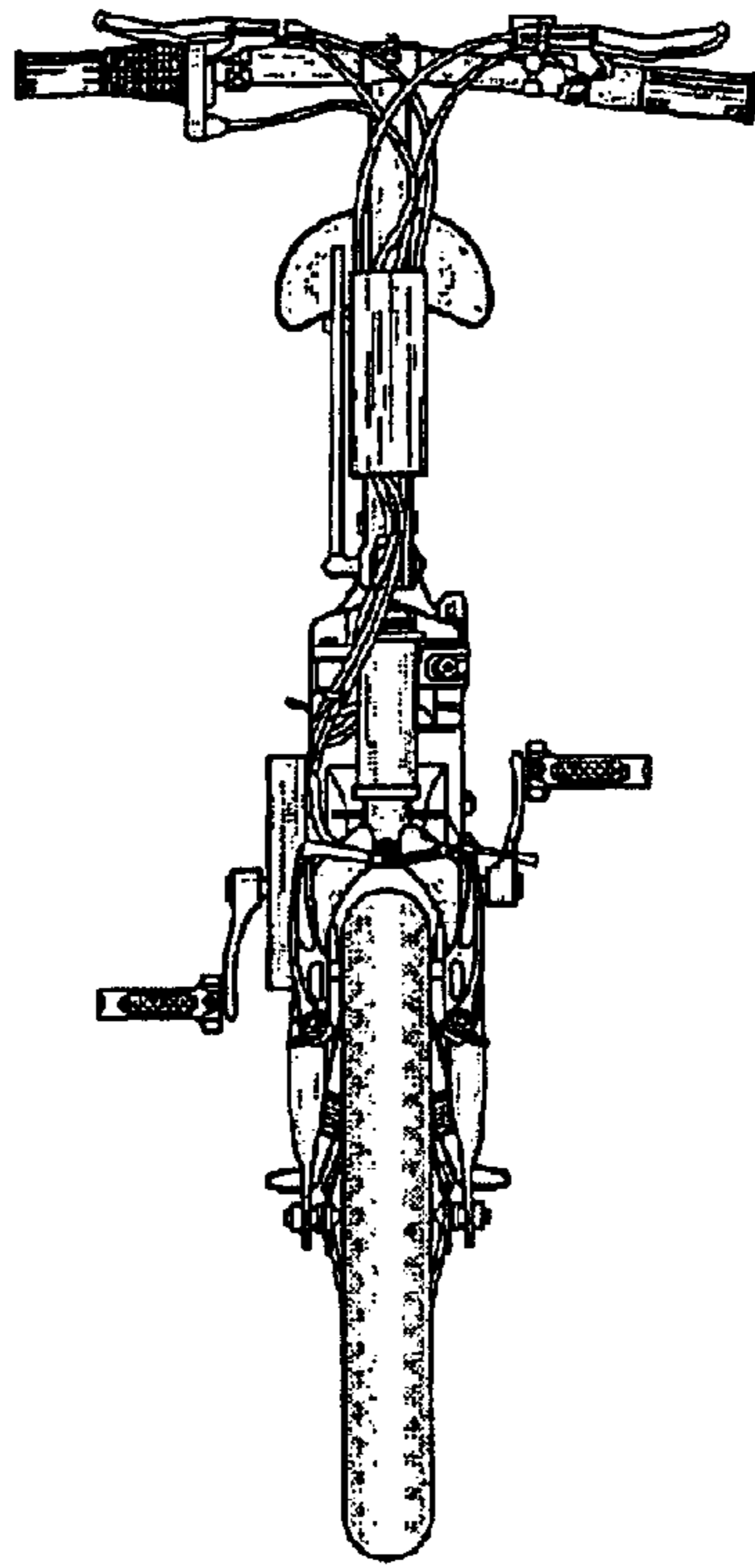


FIGURE 5

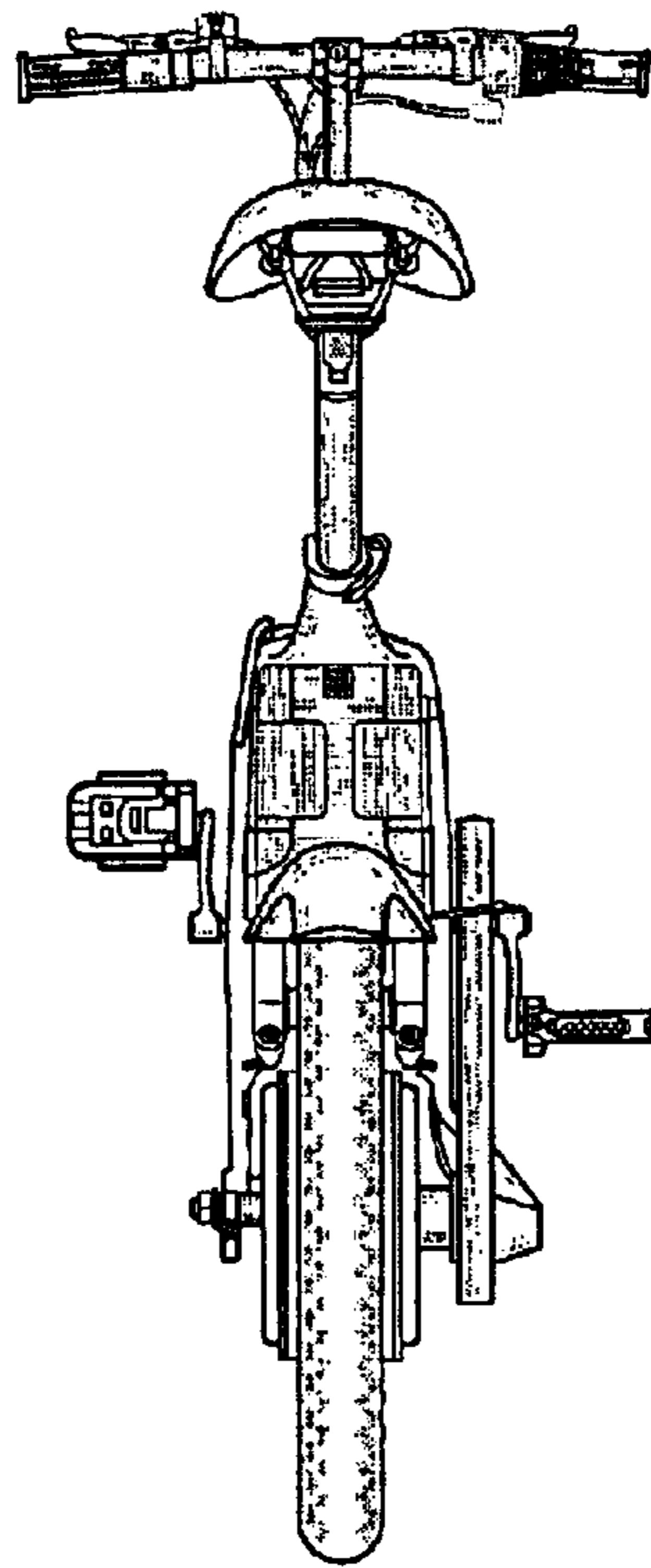


FIGURE 6

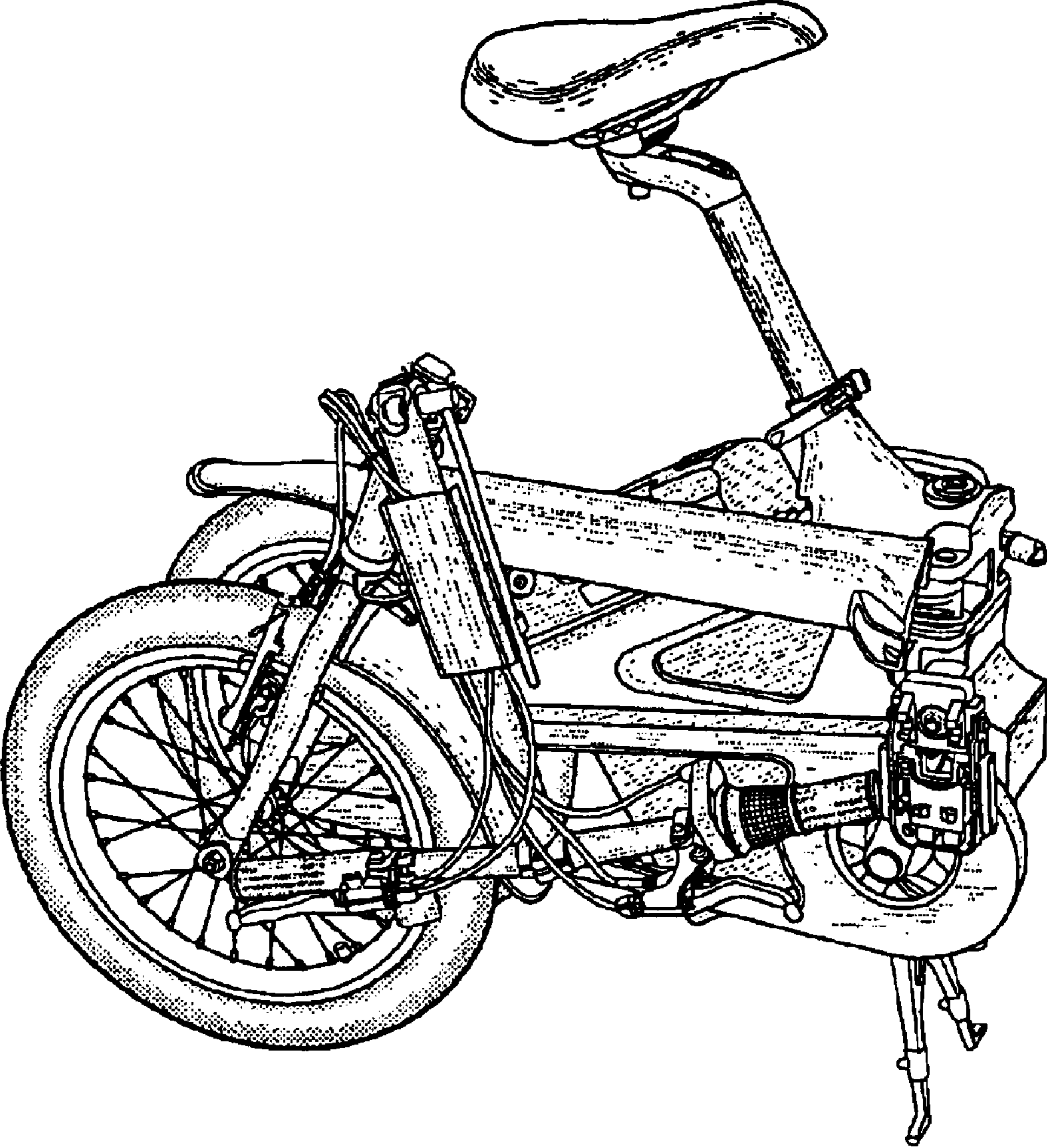


FIGURE 7