

US00D498434S

(12) **United States Design Patent**
Iwase

(10) **Patent No.:** **US D498,434 S**

(45) **Date of Patent:** **** Nov. 16, 2004**

(54) **SLIDER BODY FOR SLIDE FASTENER**

(75) Inventor: **Yuichi Iwase**, Toyama-Ken (JP)

(73) Assignee: **YKK Corporation**, Tokyo (JP)

(**) Term: **14 Years**

(21) Appl. No.: **29/194,884**

(22) Filed: **Dec. 2, 2003**

(30) **Foreign Application Priority Data**

Jun. 3, 2003 (JP) 2003-015567

(51) **LOC (7) Cl.** **02-07**

(52) **U.S. Cl.** **D11/221**

(58) **Field of Search** D11/200, 201,
D11/221; 24/415-417, 419, 421, 427-431,
381-382, 385, 387, 433; 384/64

(56) **References Cited**

U.S. PATENT DOCUMENTS

4,590,648	A	*	5/1986	Yoshida et al.	24/415
D291,546	S	*	8/1987	Oda	D11/221
5,007,144	A	*	4/1991	Terada et al.	24/415
D366,012	S	*	1/1996	Aoki	D11/221
D366,230	S	*	1/1996	Aoki	D11/221

* cited by examiner

Primary Examiner—Ralf Seifert

(74) *Attorney, Agent, or Firm*—Bell, Boyd & Lloyd LLC

(57) **CLAIM**

I claim the ornamental design for a slider body for slide fastener, as shown and described.

DESCRIPTION

FIG. 1 is a perspective view of a slider body for slide fastener of the claimed design.

FIG. 2 is a front elevational view of the slider body for slide fastener of FIG. 1.

FIG. 3 is a rear elevational view of the slider body for slide fastener of FIG. 1.

FIG. 4 is a right side elevational view of the slider body for slide fastener of FIG. 1, the left side elevational view being a mirror image.

FIG. 5 is a top plan view of the slider body for slide fastener of FIG. 1.

FIG. 6 is a bottom plan view of the slider body for slide fastener of FIG. 1; and,

FIG. 7 is a reference front elevational view of the slider body for slide fastener of FIG. 1 showing the slider body for slide fastener in a state of use.

The broken lines shown in the drawings are for reference purposes showing the claimed design in a state of use and do not form a part of the claimed design.

1 Claim, 1 Drawing Sheet

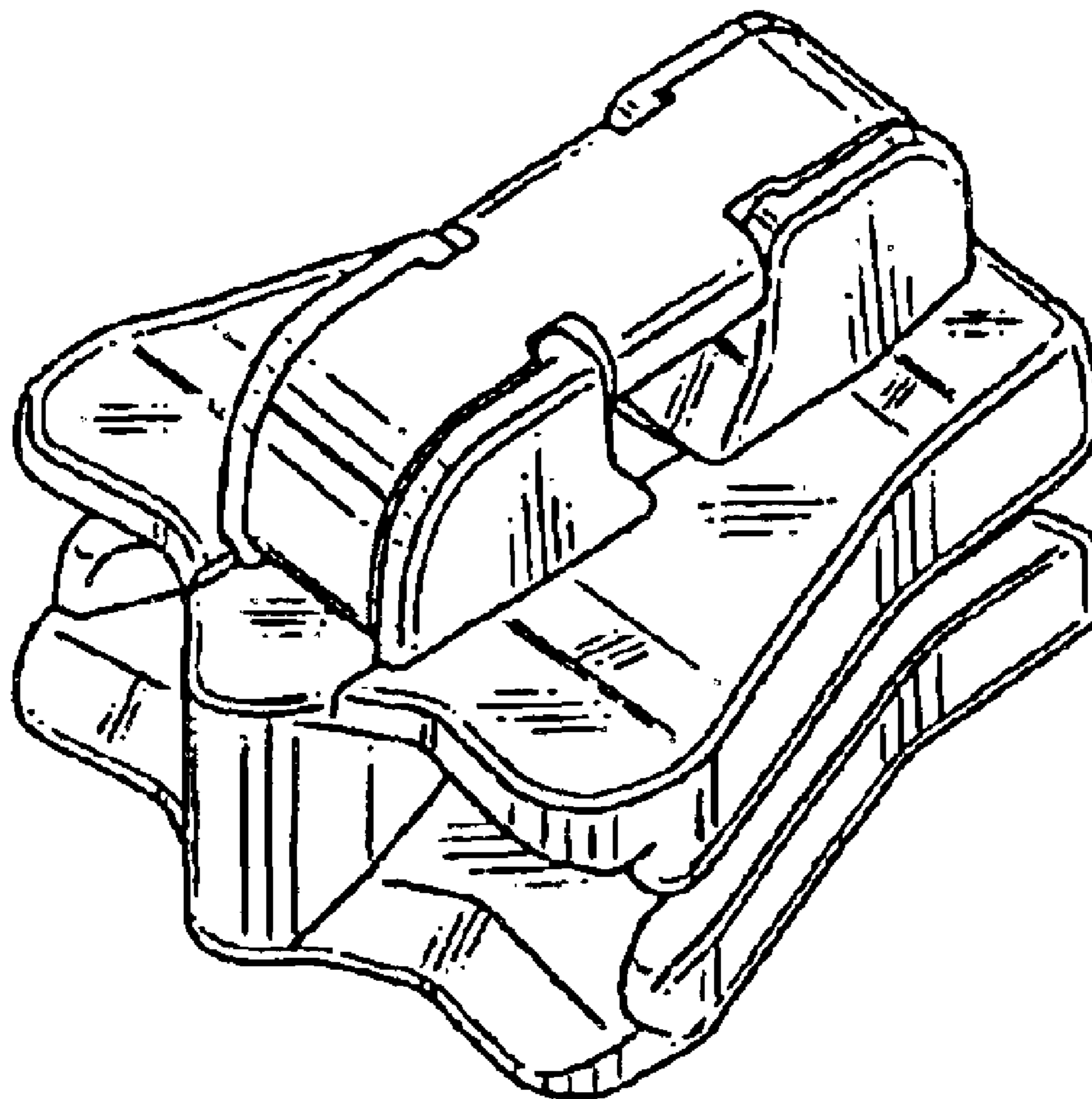


FIG. 1

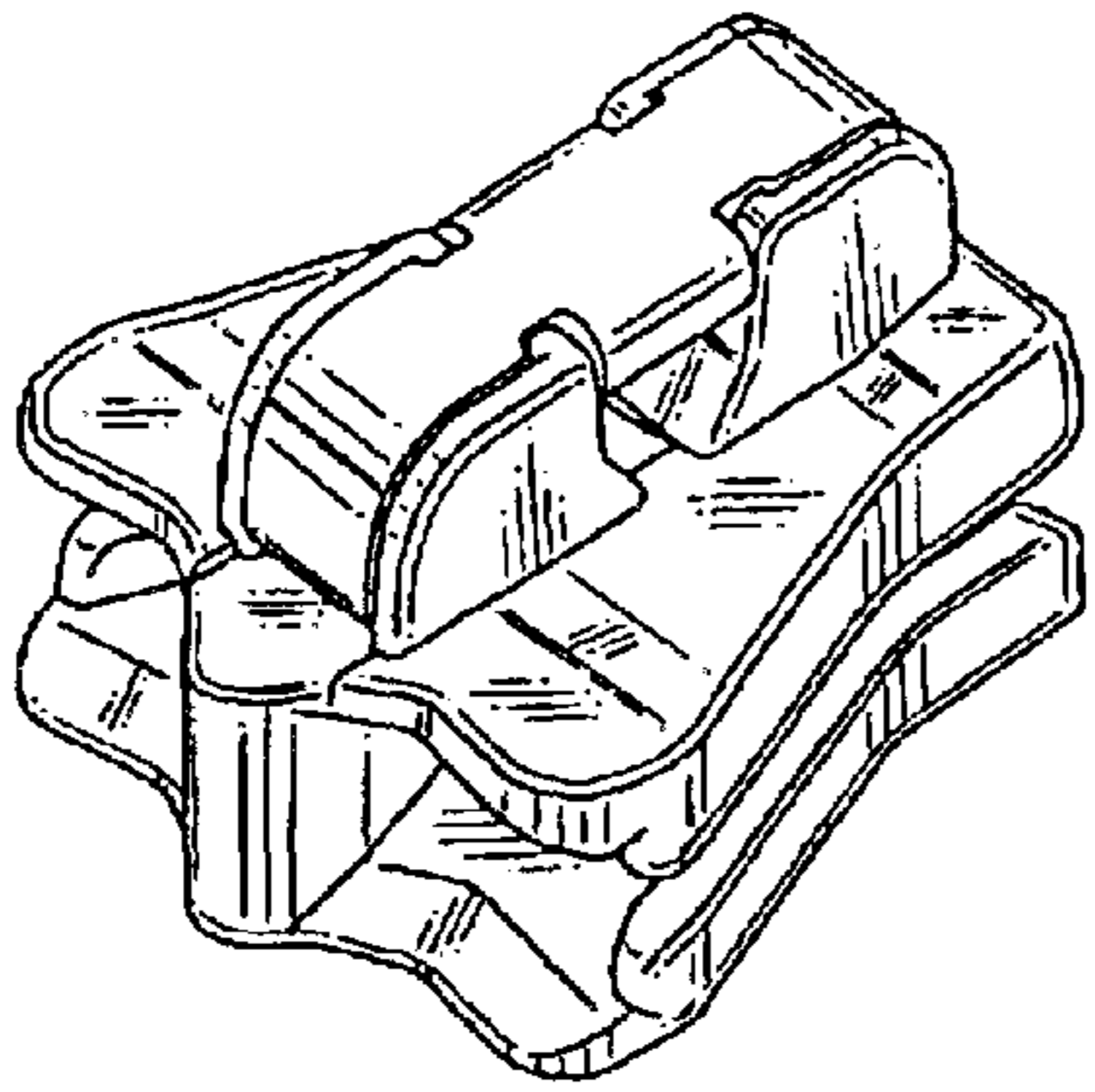


FIG. 2

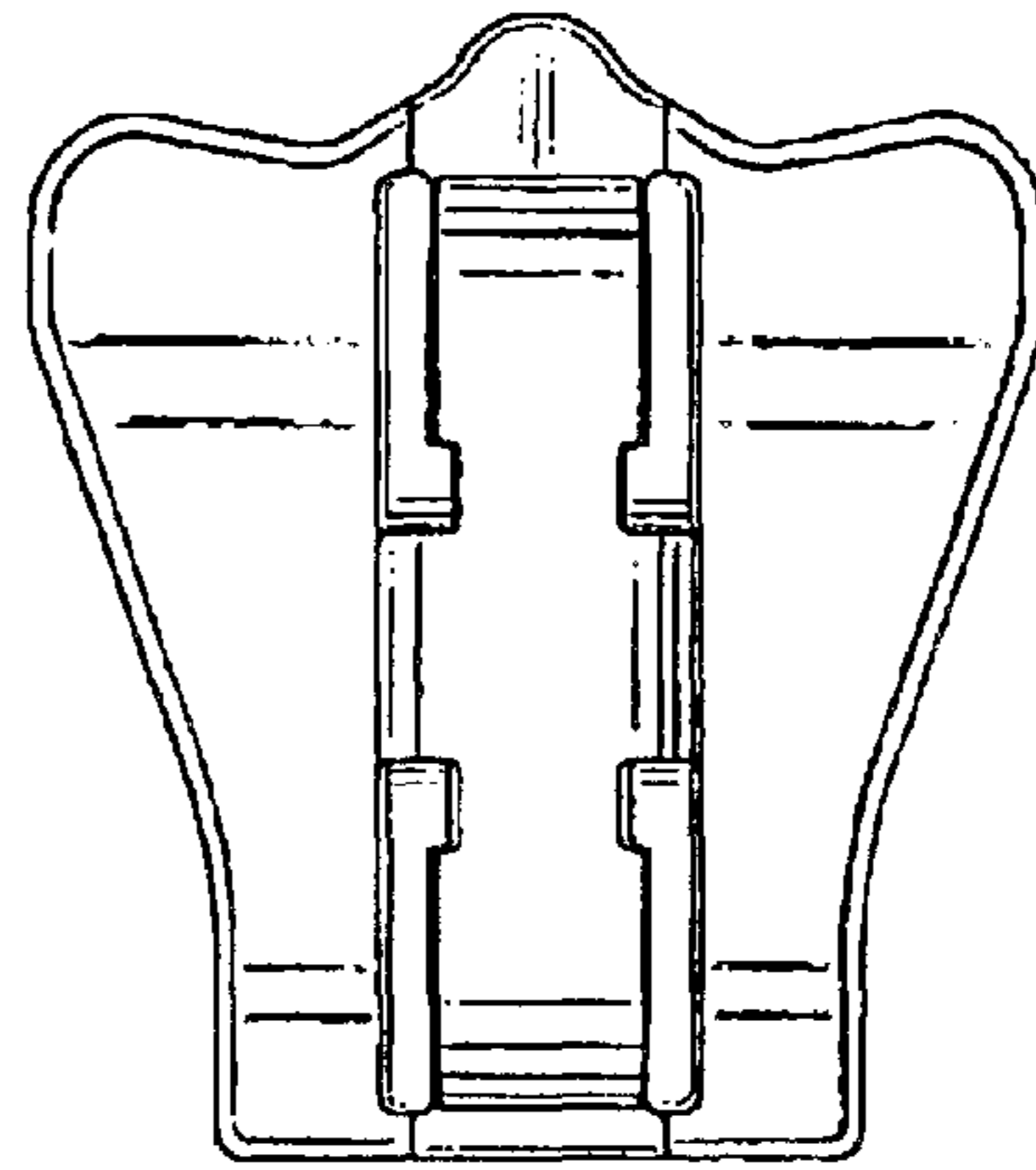


FIG. 3

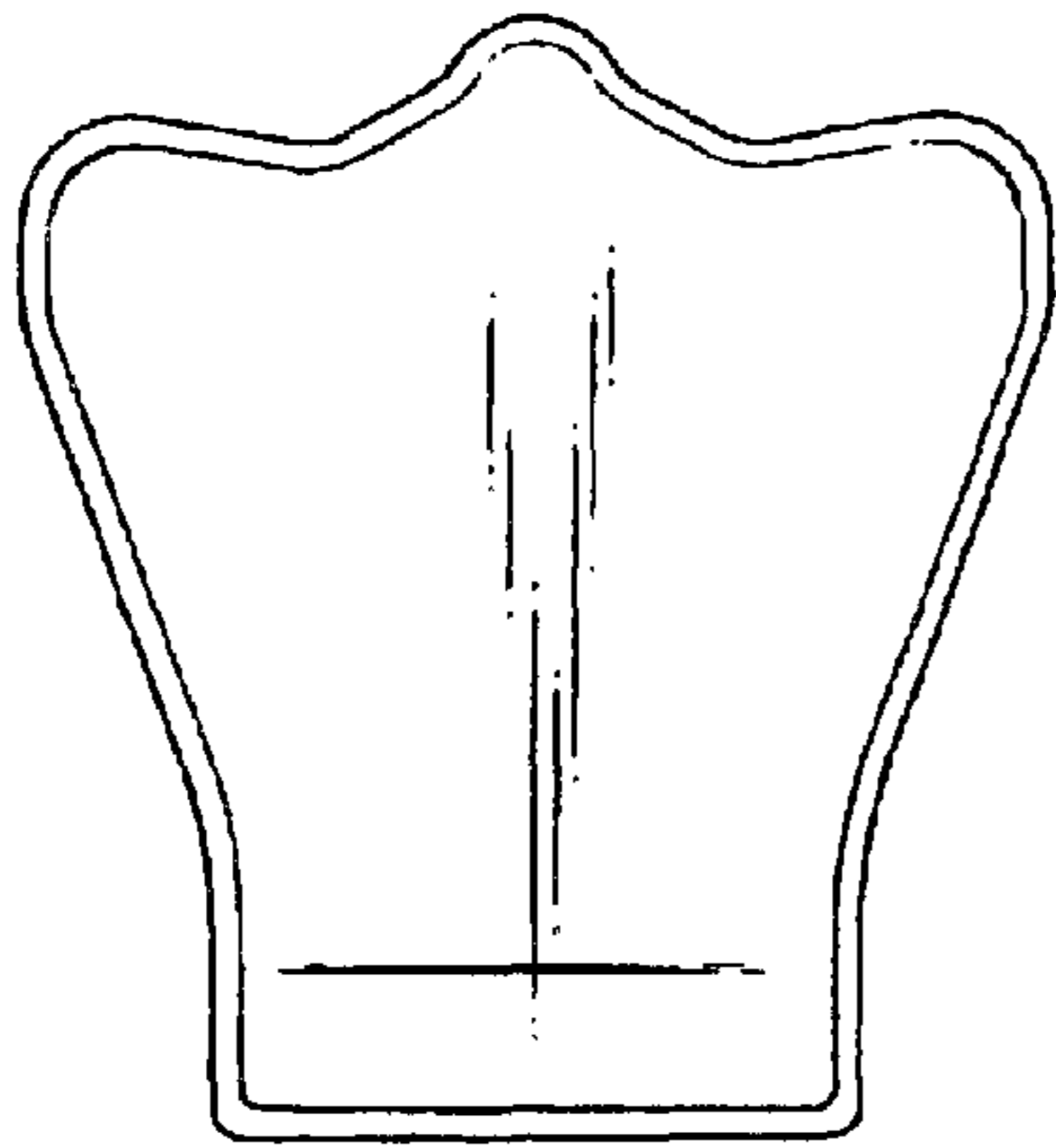


FIG. 4

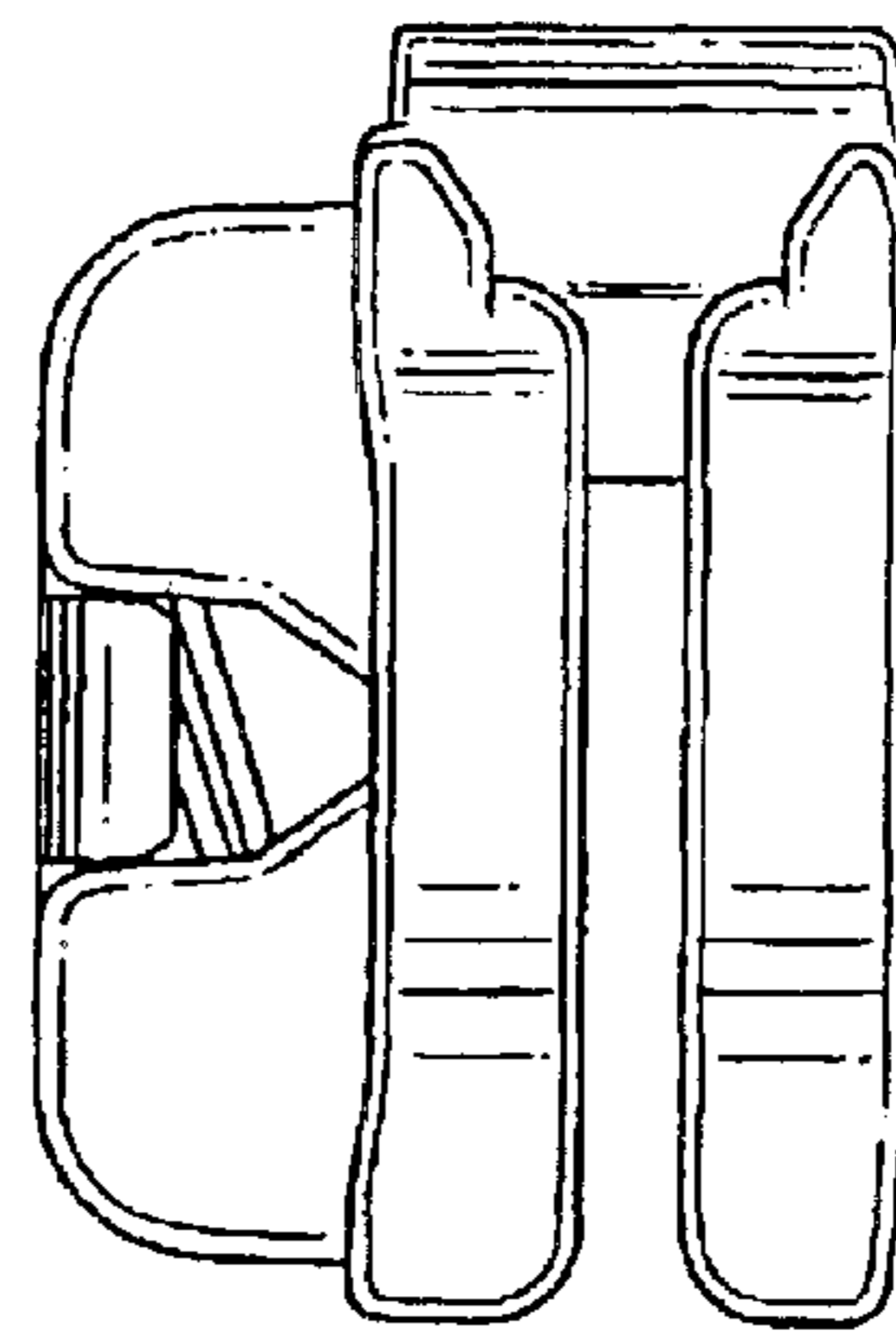


FIG. 7

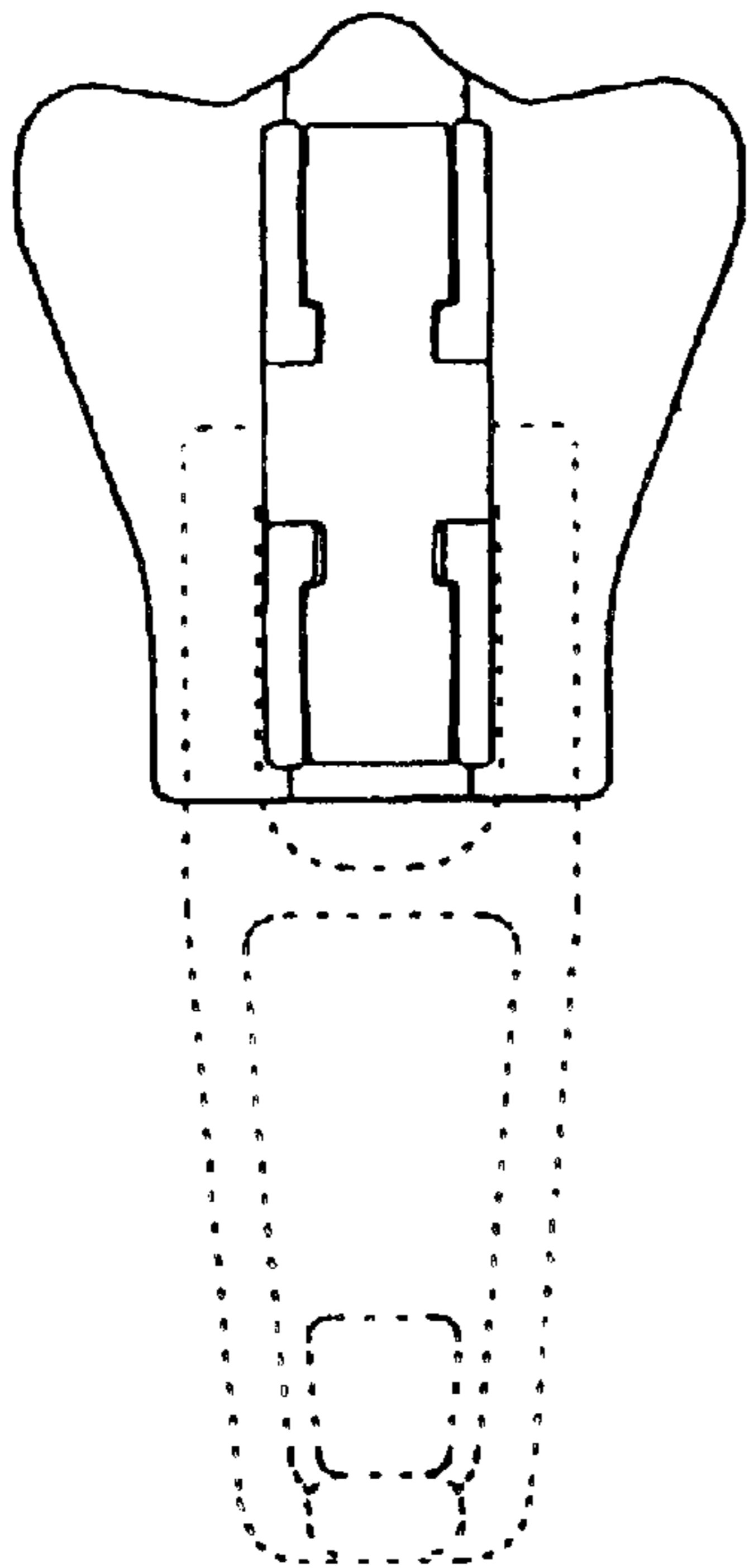


FIG. 5

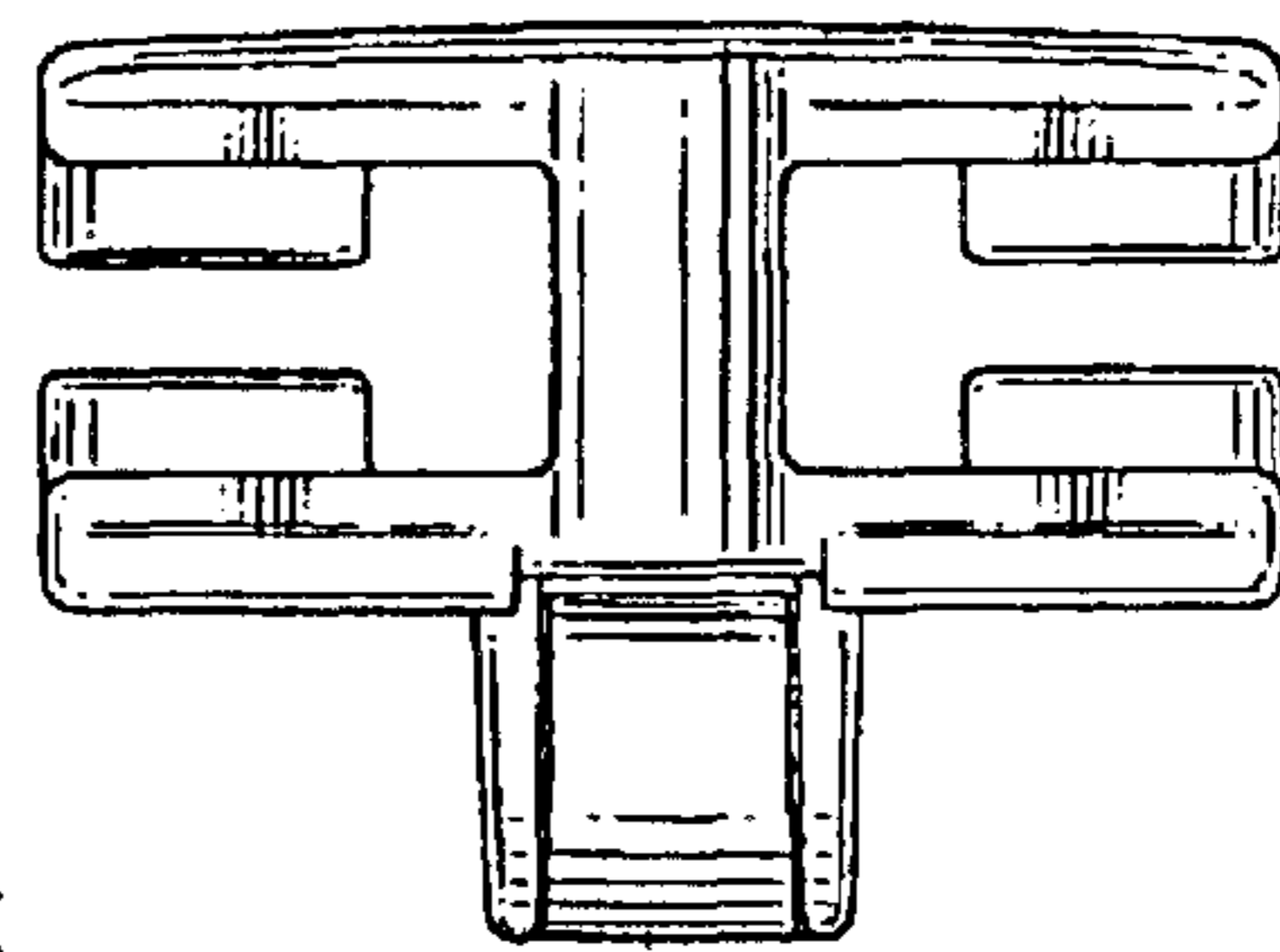


FIG. 6

