

US00D498431S

(12) **United States Design Patent**
Ditmars, Jr.

(10) **Patent No.: US D498,431 S**

(45) **Date of Patent: ** Nov. 16, 2004**

(54) **COMBINATION LEVITATED GOLF BALL AND ASSOCIATED HOUSING**

(76) **Inventor: Ronald Glenn Ditmars, Jr., 7075 English Creek Ave., Egg Harbor Township, NJ (US) 08234**

(**) **Term: 14 Years**

(21) **Appl. No.: 29/201,254**

(22) **Filed: Mar. 12, 2004**

(51) **LOC (7) Cl. 11-02**

(52) **U.S. Cl. D11/131; D11/141; D11/157; D21/404; D21/709**

(58) **Field of Search D11/131, 141, D11/157; D21/398, 404, 465-467, 708, 709, 715, 717, 719, 789, 791, 796, 811; D19/95-97; 428/13, 15, 542.2, 542.4, 900; 446/129, 131, 133, 137, 139, 140; 40/358, 426, 427, 661.01; 335/306**

(56) **References Cited**

U.S. PATENT DOCUMENTS

- D231,252 S * 4/1974 Feldman et al. D26/94
- D236,220 S * 8/1975 Nicodemus, Jr. et al. .. D21/309
- 4,011,674 A * 3/1977 Jacobson 40/426
- D259,581 S * 6/1981 Kretschmer D21/404

- D270,899 S * 10/1983 Huang D10/2
- 4,414,775 A * 11/1983 Jensen 446/129
- 4,417,725 A * 11/1983 Van Horn 472/14
- D273,031 S * 3/1984 Simjian D21/709
- 5,060,947 A * 10/1991 Hall 273/138.2
- 5,085,434 A * 2/1992 Soto, II 273/138.2
- 5,478,612 A * 12/1995 Hack et al. 428/11
- D485,325 S * 1/2004 Rohan-Weaver D21/789
- 2003/0176144 A1 * 9/2003 Fisher et al. 446/133

* cited by examiner

Primary Examiner—Stella Reid

Assistant Examiner—C. Tuttle

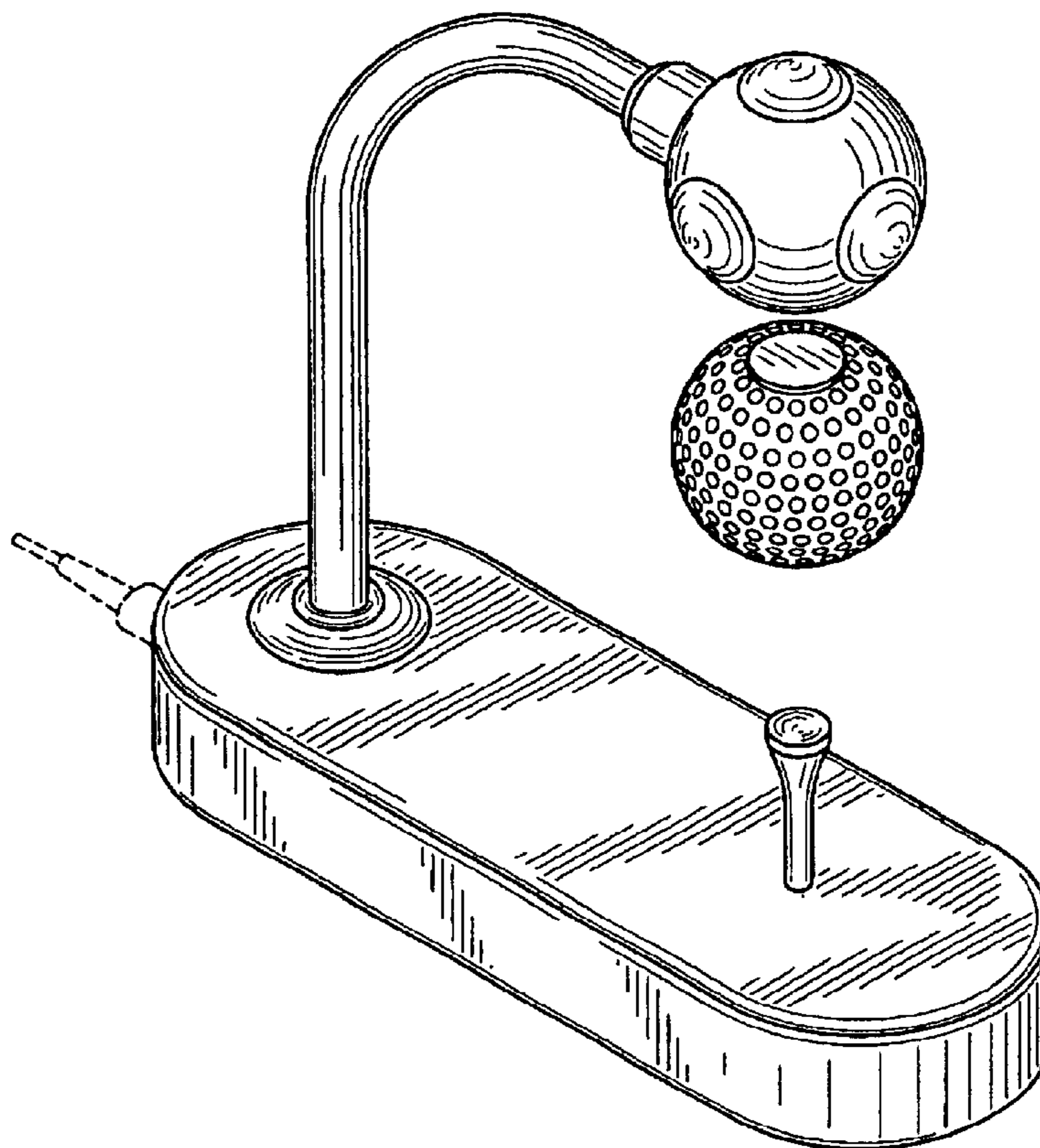
(57) **CLAIM**

The ornamental design for a combination levitated golf ball and associated housing, as shown and described.

DESCRIPTION

FIG. 1 is a perspective view of a combination levitated golf ball and associated housing showing my new design;
 FIG. 2 is a front elevational view thereof;
 FIG. 3 is a rear elevational view thereof;
 FIG. 4 is a left side elevational view thereof;
 FIG. 5 is a right side elevational view thereof;
 FIG. 6 is a top plan view thereof; and,
 FIG. 7 is a bottom plan view thereof.

1 Claim, 5 Drawing Sheets



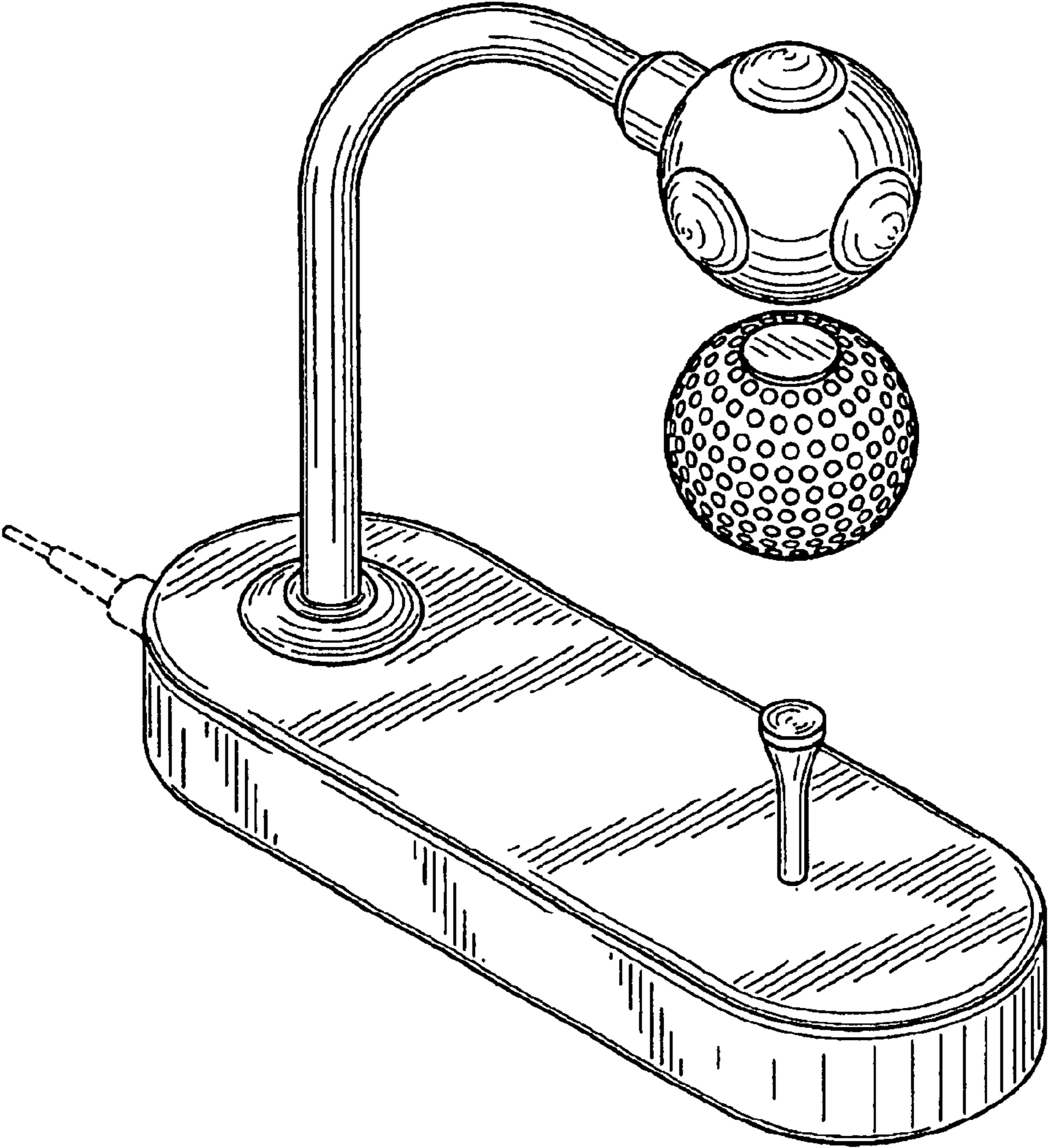


FIG. 1

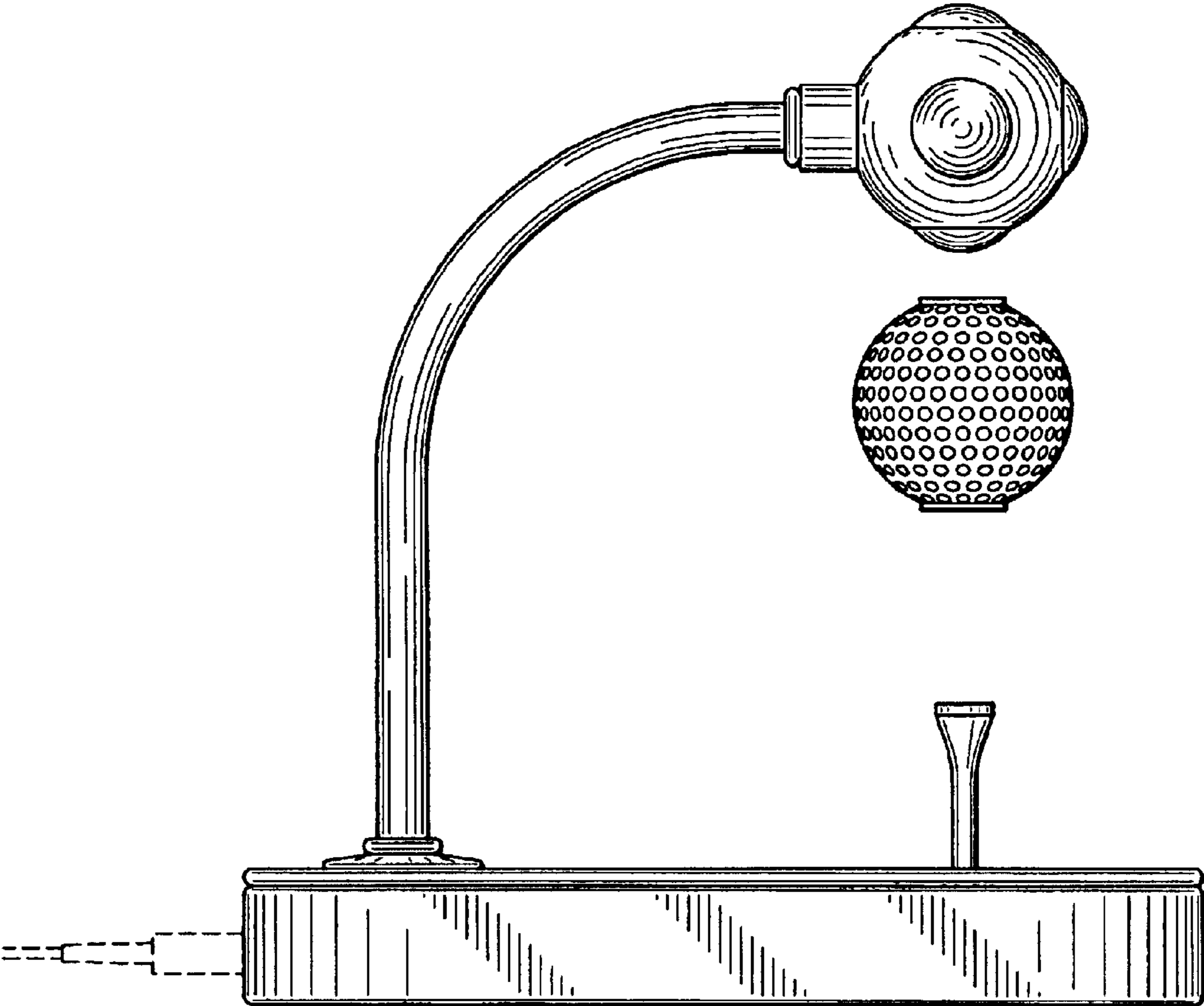


FIG. 2

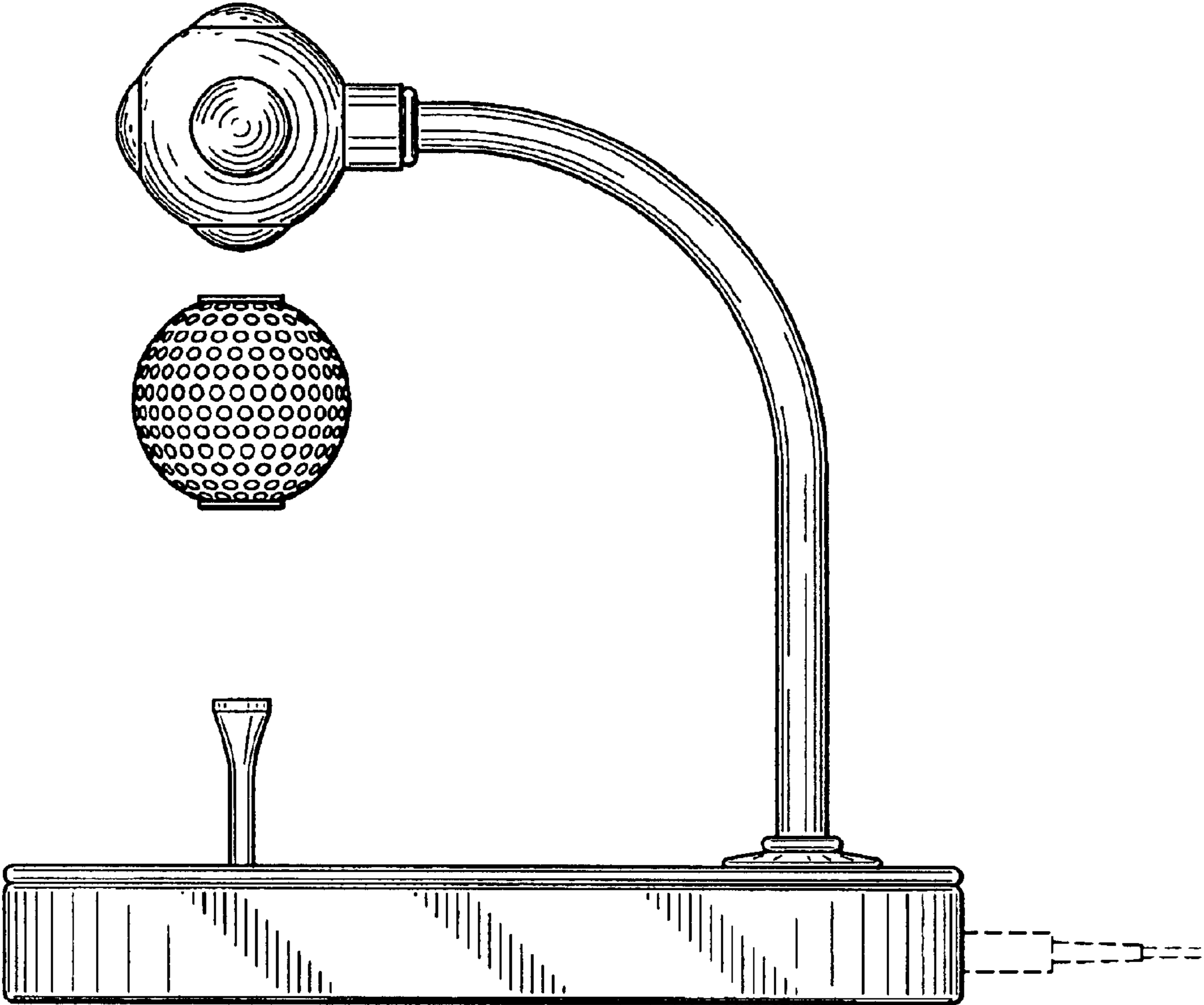


FIG. 3

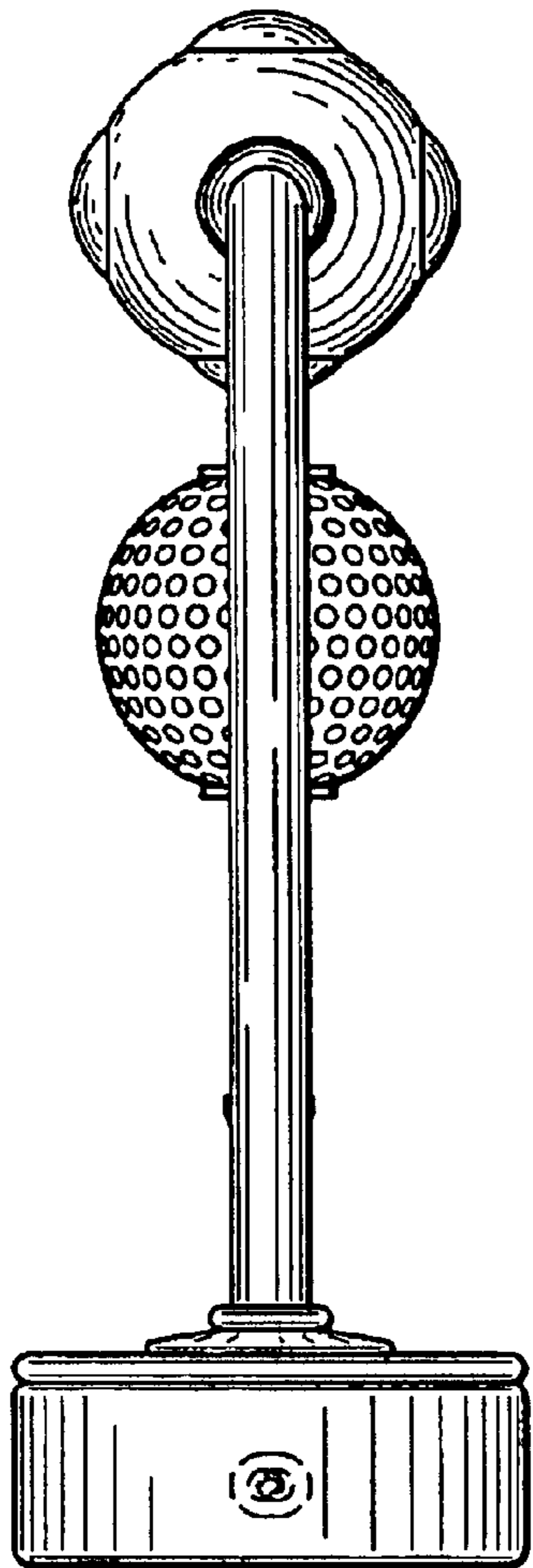


FIG. 4

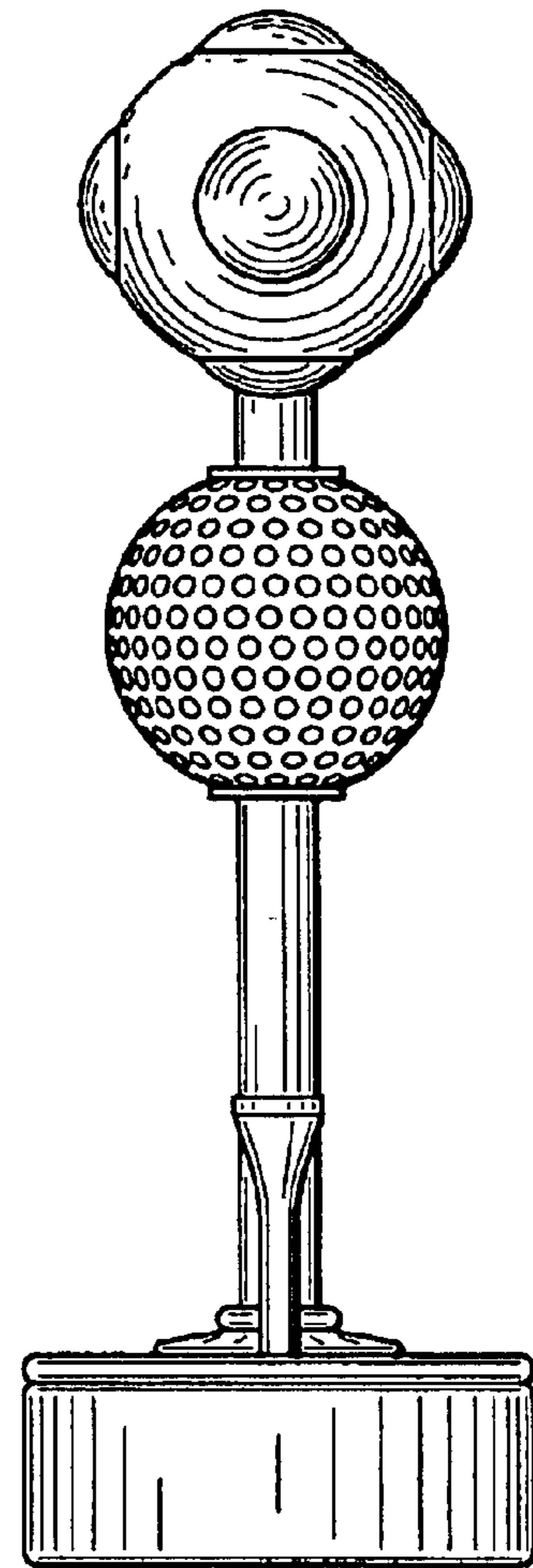


FIG. 5

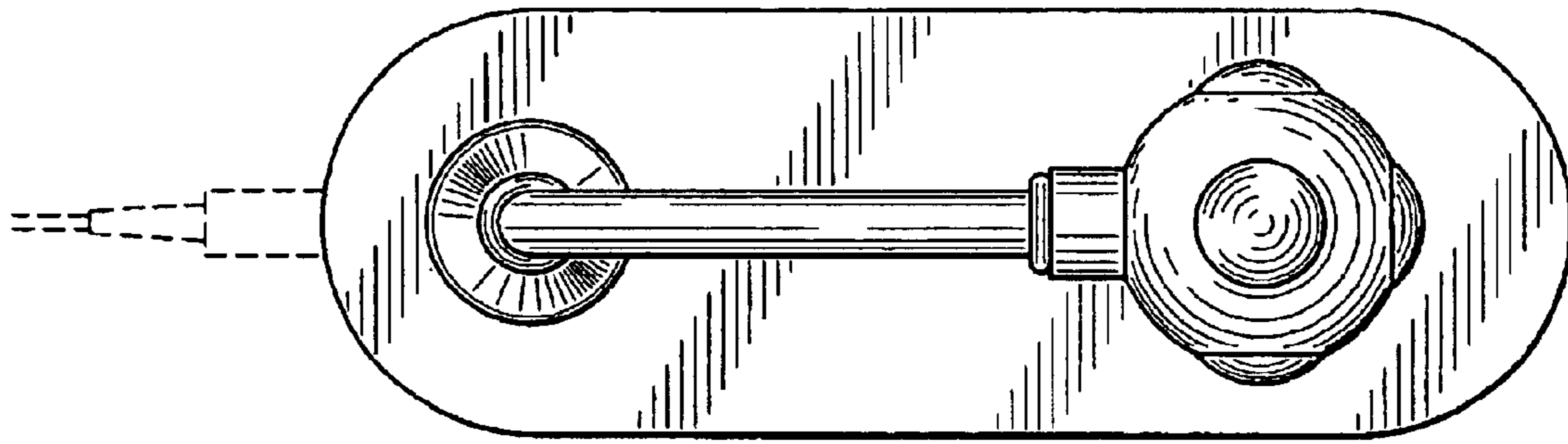


FIG. 6

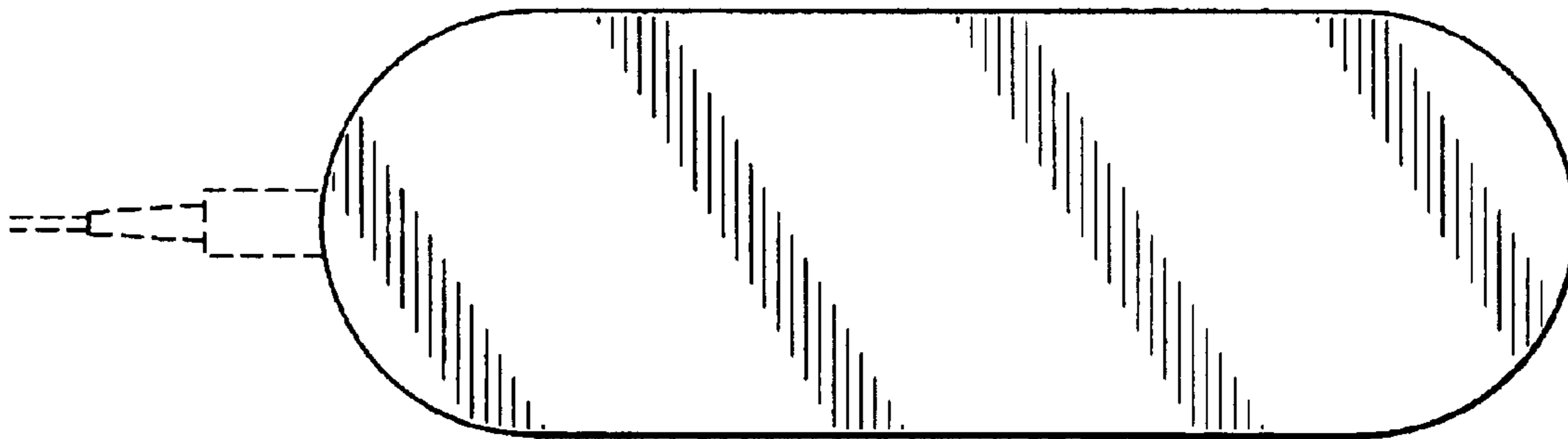


FIG. 7