

US00D498418S

(12) **United States Design Patent**
Wickenhauser

(10) **Patent No.:** **US D498,418 S**

(45) **Date of Patent:** **** Nov. 16, 2004**

(54) **BEVERAGE CONTAINER HOLDER**

(76) **Inventor:** **Keith Wickenhauser**, 11170 Guernsey Ave., Chaska, MN (US) 55318

(**) **Term:** **14 Years**

(21) **Appl. No.:** **29/192,087**

(22) **Filed:** **Oct. 20, 2003**

(51) **LOC (7) Cl.** **09-07**

(52) **U.S. Cl.** **D9/455**

(58) **Field of Search** D9/347, 341, 345, D9/414, 418, 424, 430-431, 499; 206/139, 427; 220/23.83, 500, 553, 555-557

(56) **References Cited**

U.S. PATENT DOCUMENTS

4,588,076 A *	5/1986	Caputo et al.	206/86
D297,117 S *	8/1988	Fontana et al.	D9/347
5,111,951 A *	5/1992	Breen et al.	220/23.4
D332,552 S *	1/1993	Lynch D7/619.1	
D353,840 S *	12/1994	Dietterich et al.	D19/85
5,497,902 A	3/1996	Crock	
D389,020 S *	1/1998	LaJoie D7/701	
5,706,975 A	1/1998	Crock	

D396,780 S	8/1998	Villarreal, Jr. et al.	
D398,524 S *	9/1998	Waterhouse	D9/347
D399,707 S	10/1998	Villarreal, Jr. et al.	
5,878,908 A *	3/1999	Foley	220/575
D424,426 S *	5/2000	Fletcher	D9/347
6,092,647 A	7/2000	Yeh et al.	

* cited by examiner

Primary Examiner—Stella Reid

Assistant Examiner—Daniel Bui

(57) **CLAIM**

The ornamental design of a beverage container holder, as shown and described.

DESCRIPTION

FIG. 1 is a perspective view of a beverage container holder showing my new design;

FIG. 2 is a front elevational view thereof;

FIG. 3 is a side elevational view of the right side thereof;

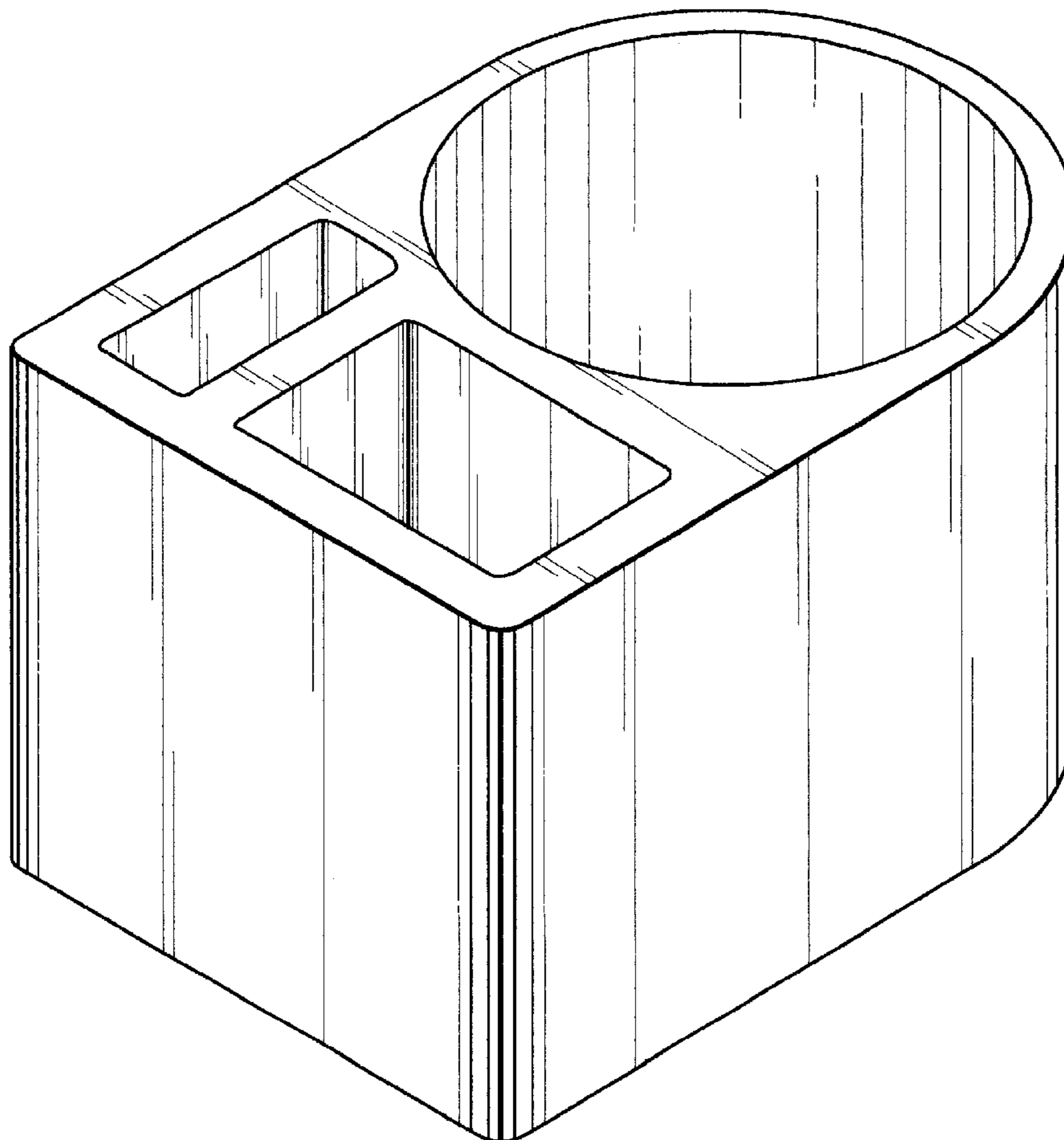
FIG. 4 is a side elevational view of the left side thereof;

FIG. 5 is a rear elevational view thereof;

FIG. 6 is a top plan view thereof; and,

FIG. 7 is a bottom plan view thereof.

1 Claim, 4 Drawing Sheets



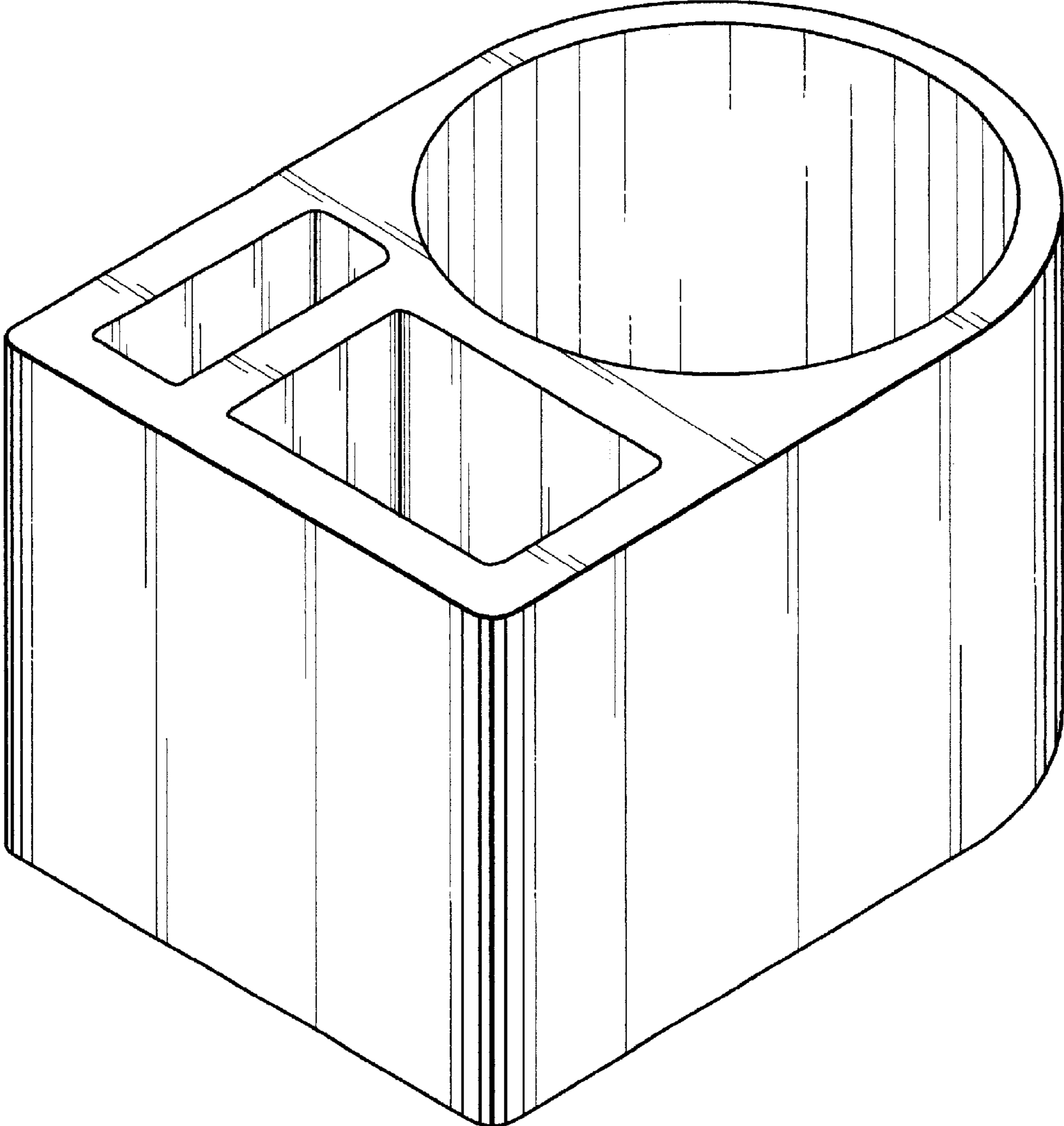


FIG. 1

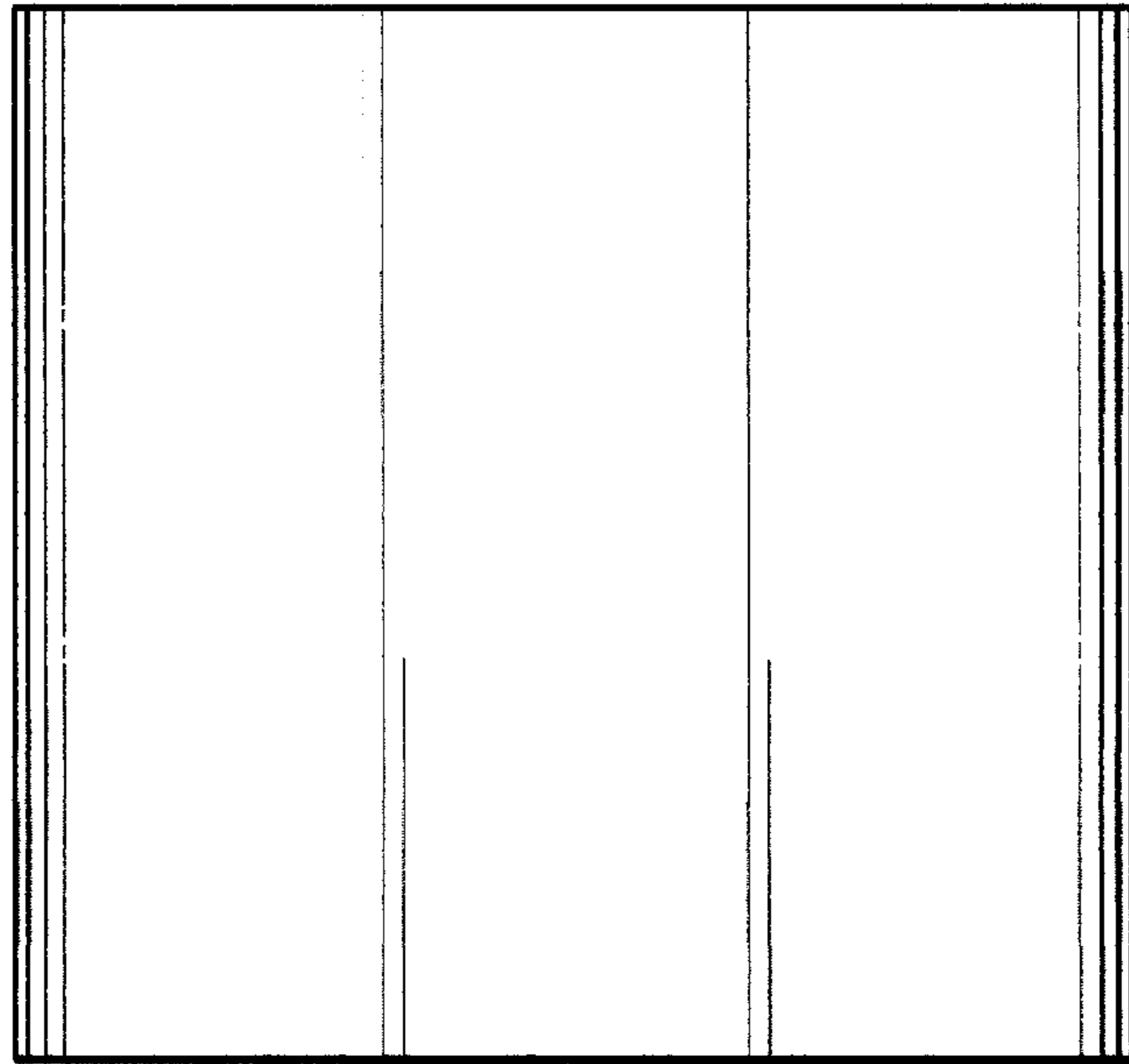


FIG. 2

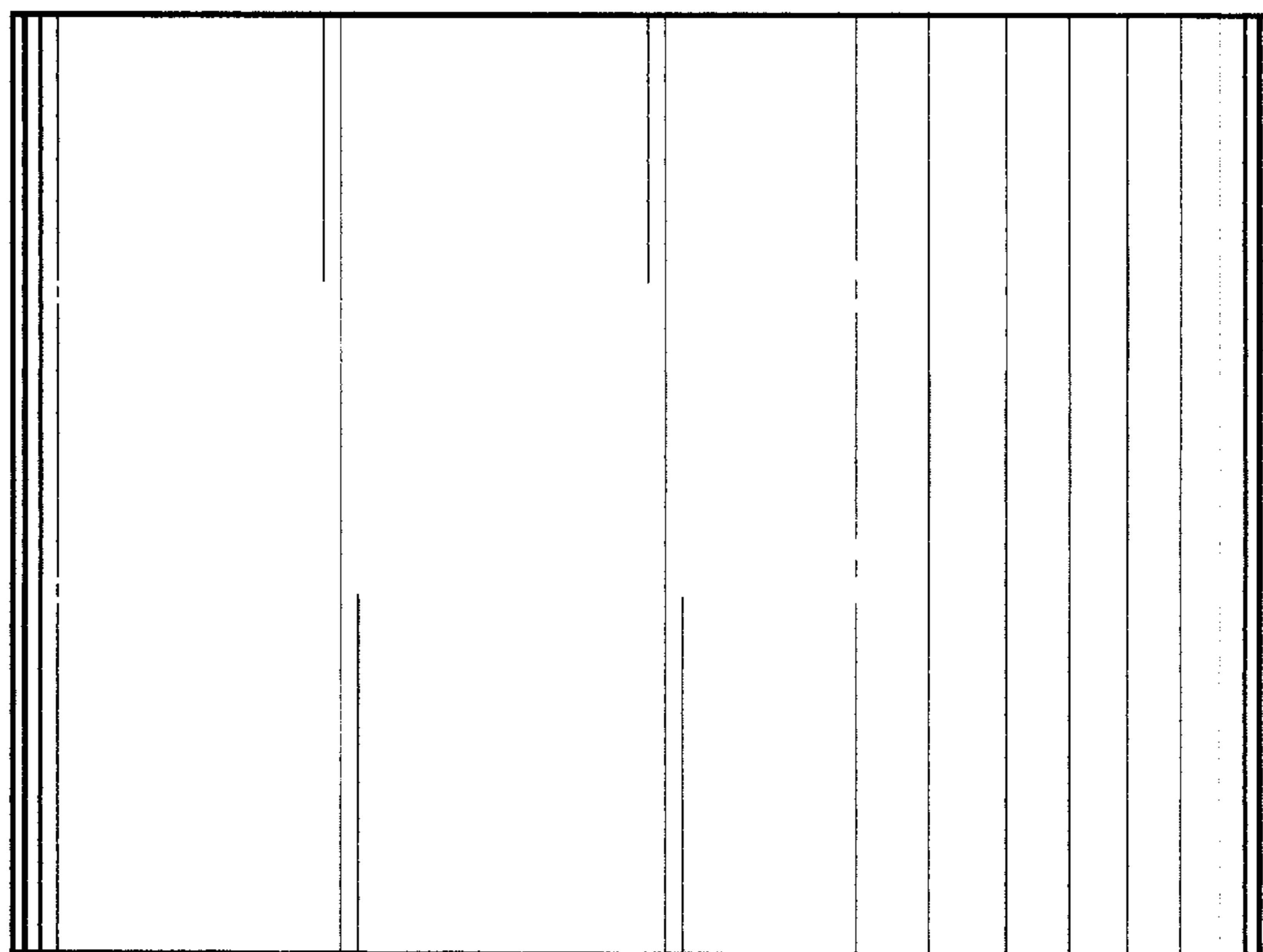


FIG. 3

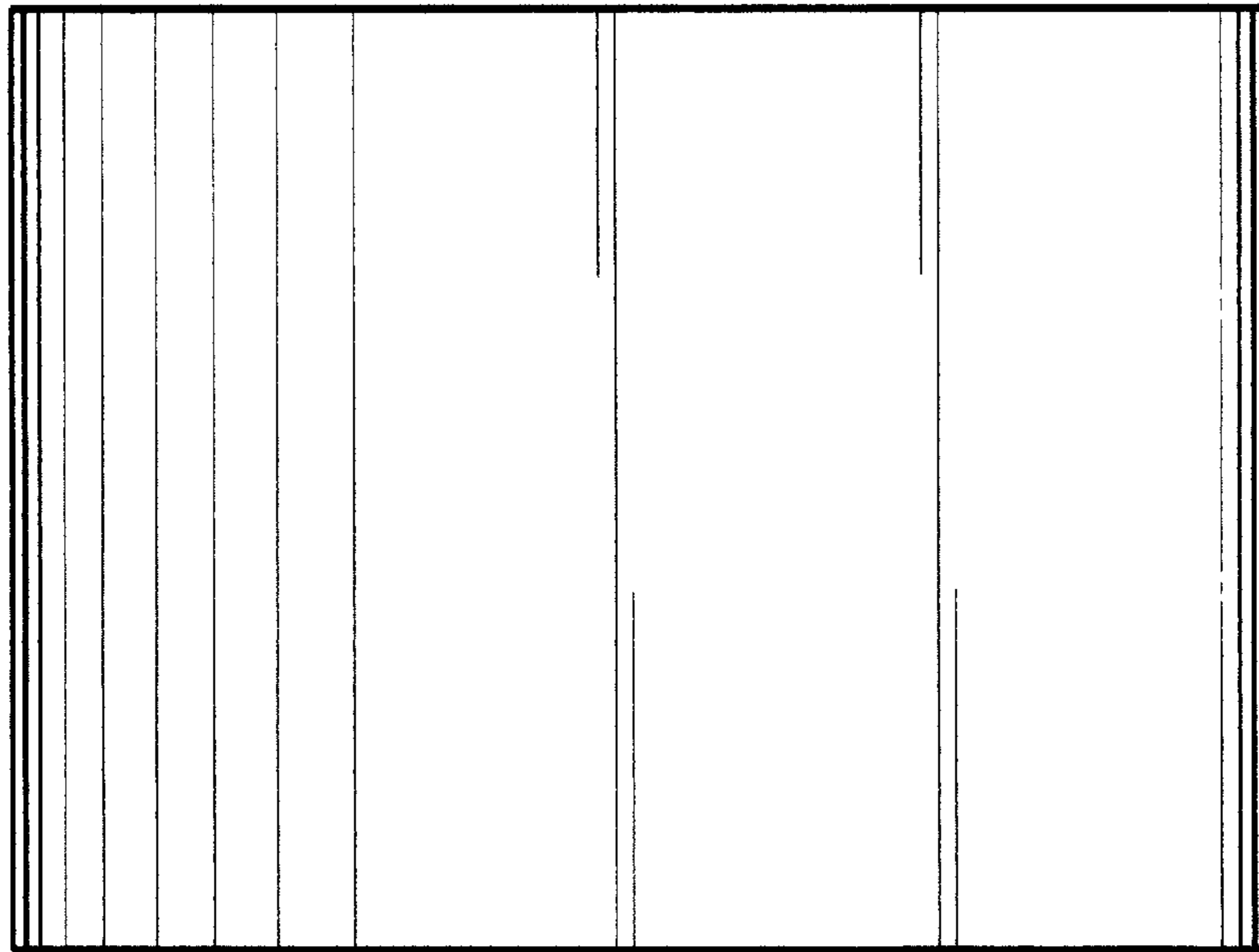


FIG. 4

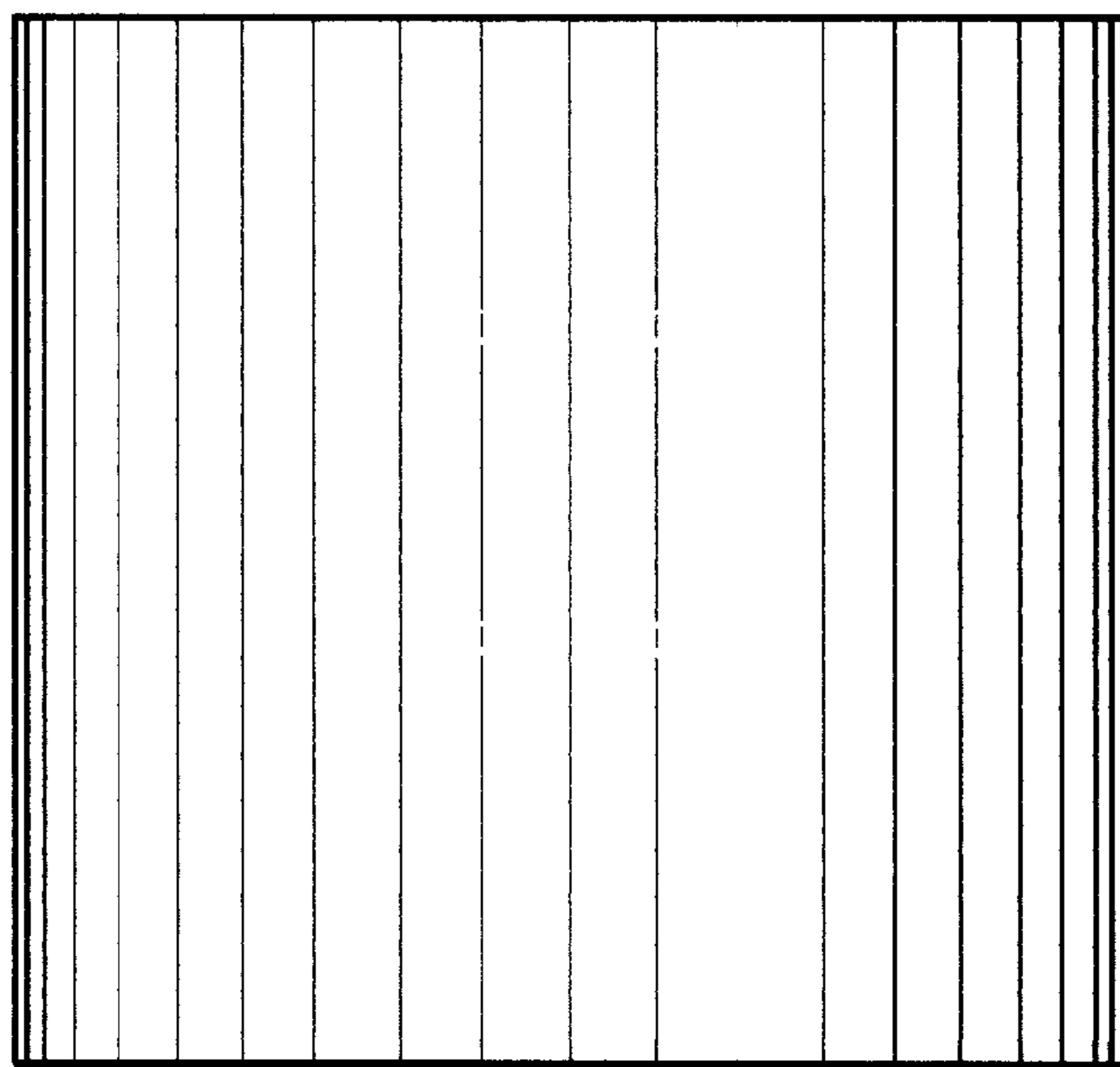


FIG. 5

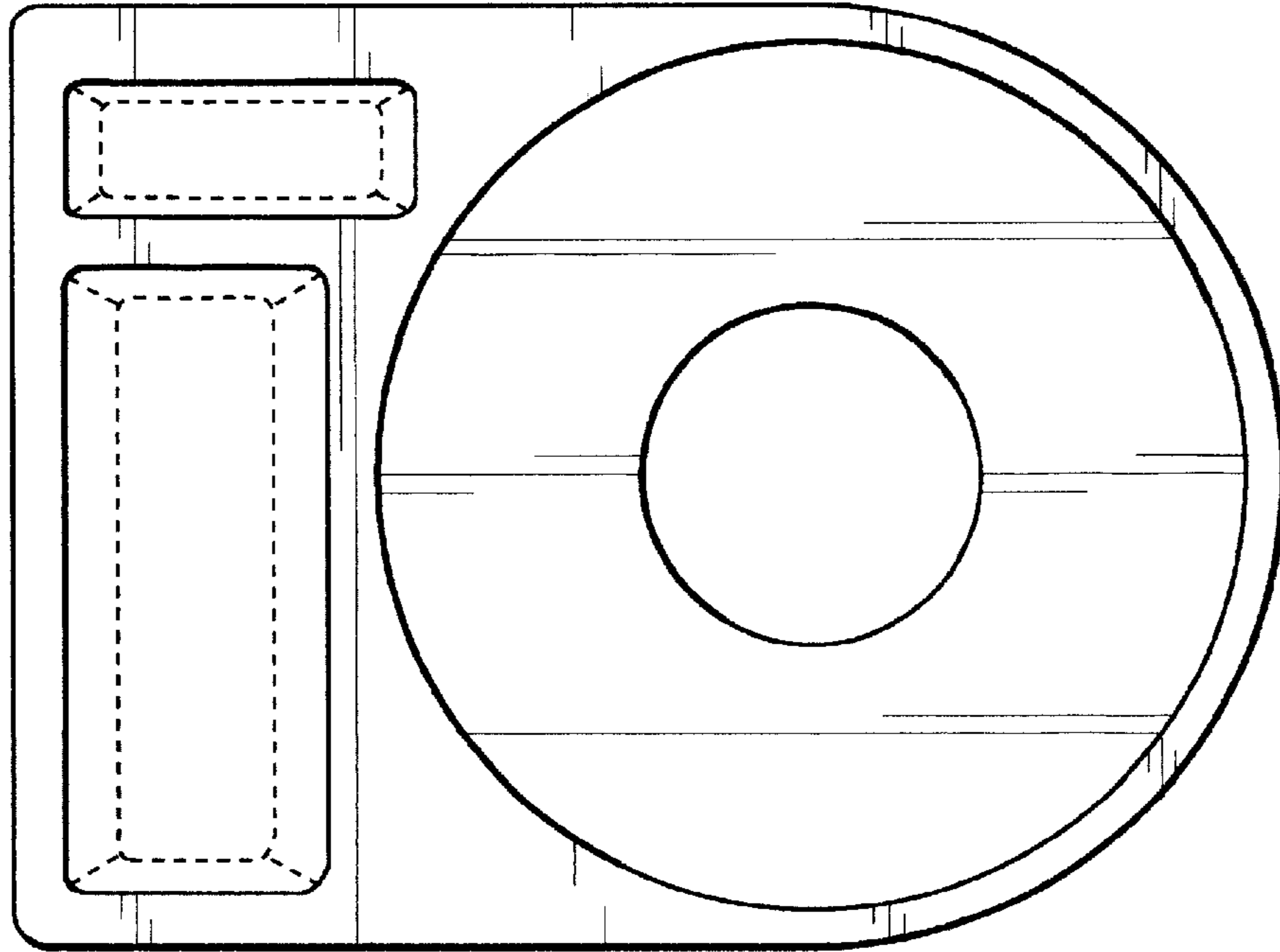


FIG. 6

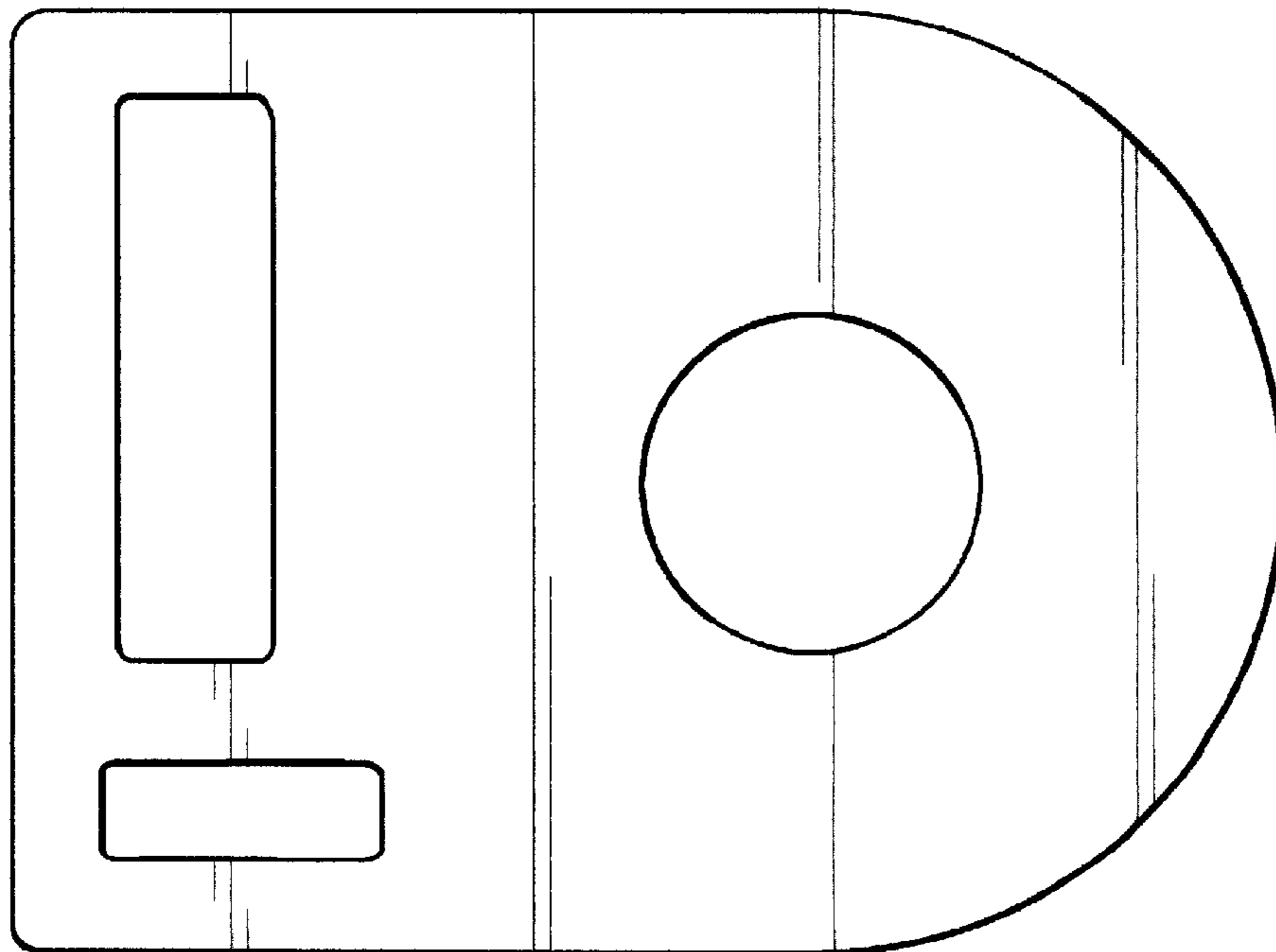


FIG. 7