

US00D498417S

(12) **United States Design Patent**  
**Crane**

(10) **Patent No.: US D498,417 S**

(45) **Date of Patent: \*\* Nov. 16, 2004**

(54) **DOLL CARRYING CASE**

(75) **Inventor: Jessica T. Crane, Chicago, IL (US)**

(73) **Assignee: Build-A-Bear Workshop, Inc., St. Louis, MO (US)**

(\*\*) **Term: 14 Years**

(21) **Appl. No.: 29/195,151**

(22) **Filed: Dec. 8, 2003**

(51) **LOC (7) Cl. .... 09-03**

(52) **U.S. Cl. .... D9/415**

(58) **Field of Search ..... D9/415, 418, 432, D9/346; 206/216, 223, 278, 457; 229/117.09-117.16, 117.23-117.26**

(56) **References Cited**

**U.S. PATENT DOCUMENTS**

2,714,982 A	*	8/1955	Strauss	.....	229/117.15
3,640,380 A	*	2/1972	Huffman	.....	206/549
D265,723 S	*	8/1982	Rosenthal	.....	D9/346
4,403,728 A	*	9/1983	Koltz	.....	229/117.15
D344,021 S	*	2/1994	Martin et al.	.....	D9/418

6,059,179 A	*	5/2000	Giampapa	.....	229/103
D442,859 S	*	5/2001	Hirschey	.....	D9/418
6,253,993 B1	*	7/2001	Lloyd et al.	.....	229/117.3
D446,448 S	*	8/2001	Jernigan et al.	.....	D9/418
D471,445 S	*	3/2003	Kohl	.....	D9/418

\* cited by examiner

*Primary Examiner*—Prabhakar Deshmukh

(74) *Attorney, Agent, or Firm*—Blackwell Sanders Peper Martin LLP

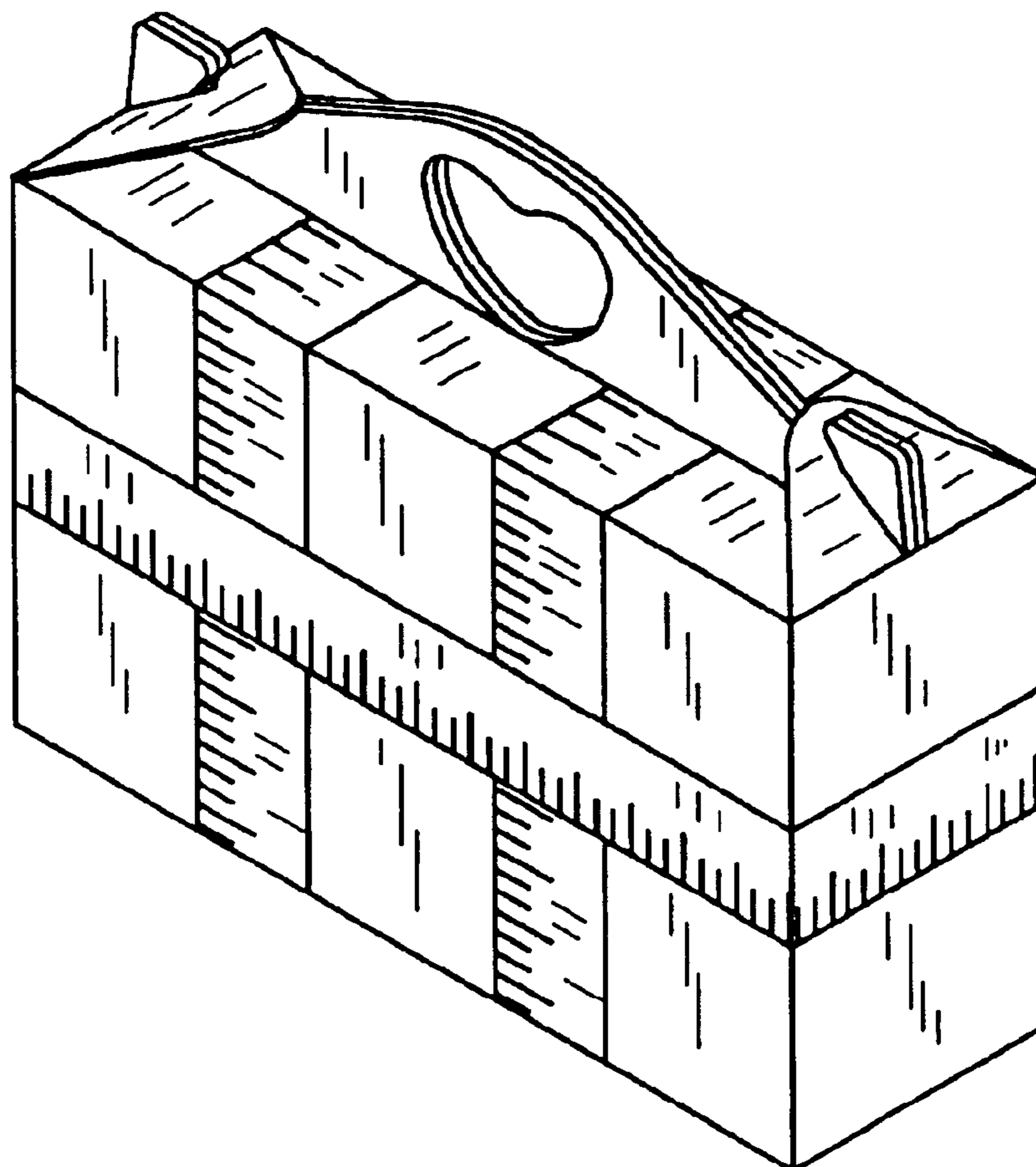
(57) **CLAIM**

The ornamental design for a doll carrying case, as shown and described.

**DESCRIPTION**

FIG. 1 is a perspective view of a doll carrying case showing my new design;  
FIG. 2 is a front elevational view thereof, the rear elevational view being a mirror image thereof;  
FIG. 3 is a right side elevational view thereof, the opposite side being a mirror image thereof; and,  
FIG. 4 is a top plan view thereof.

**1 Claim, 1 Drawing Sheet**



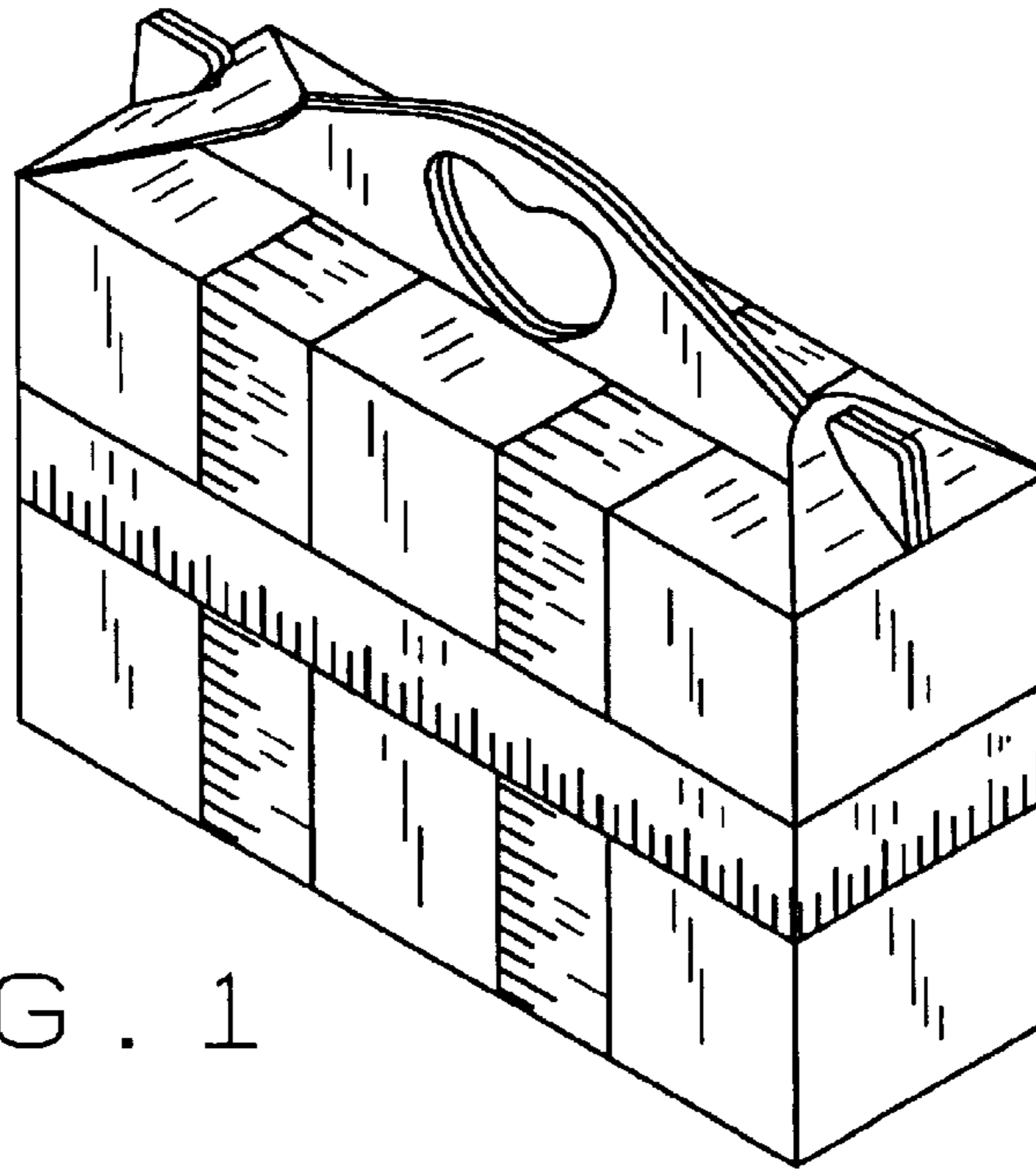


FIG. 1

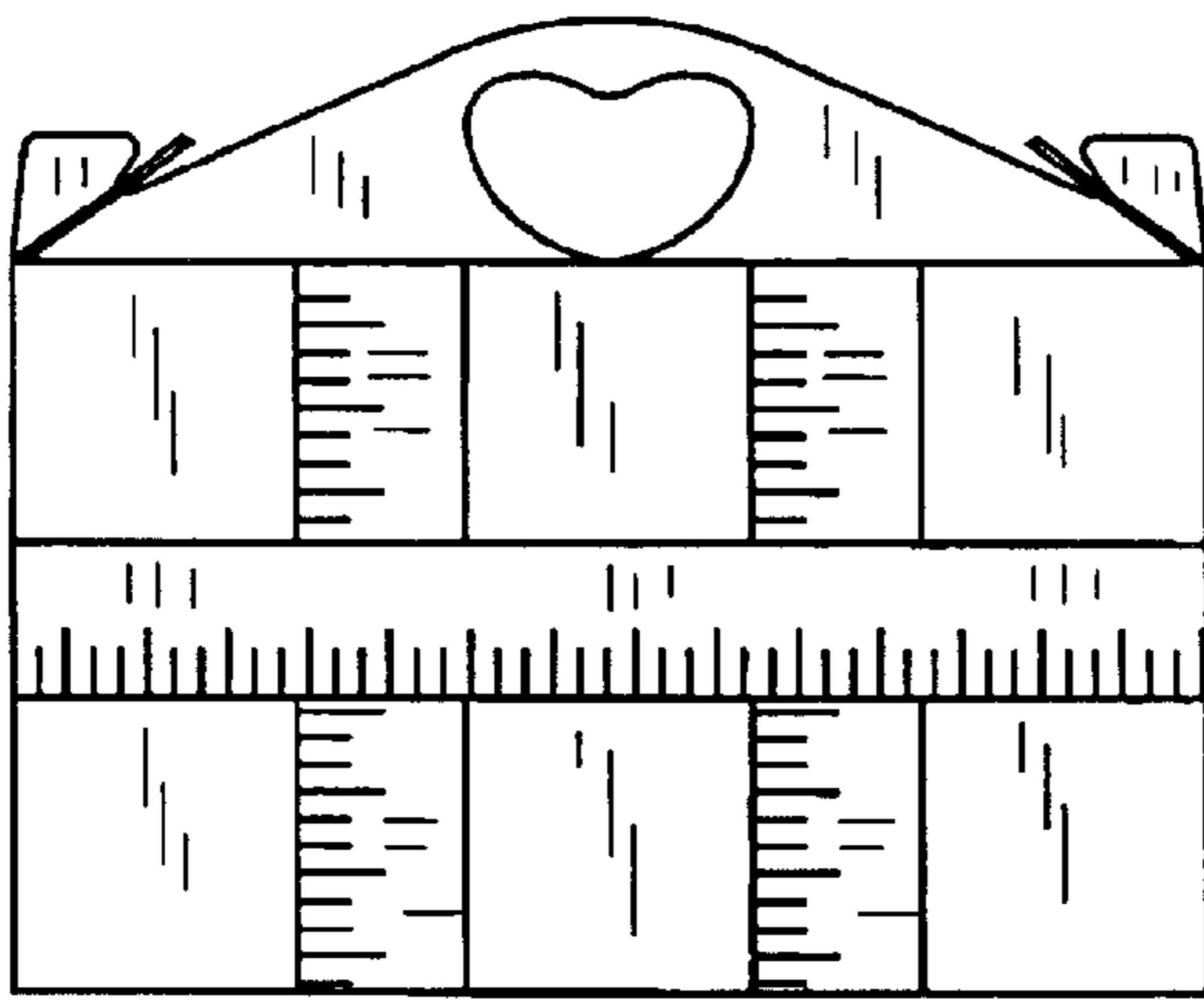


FIG. 2

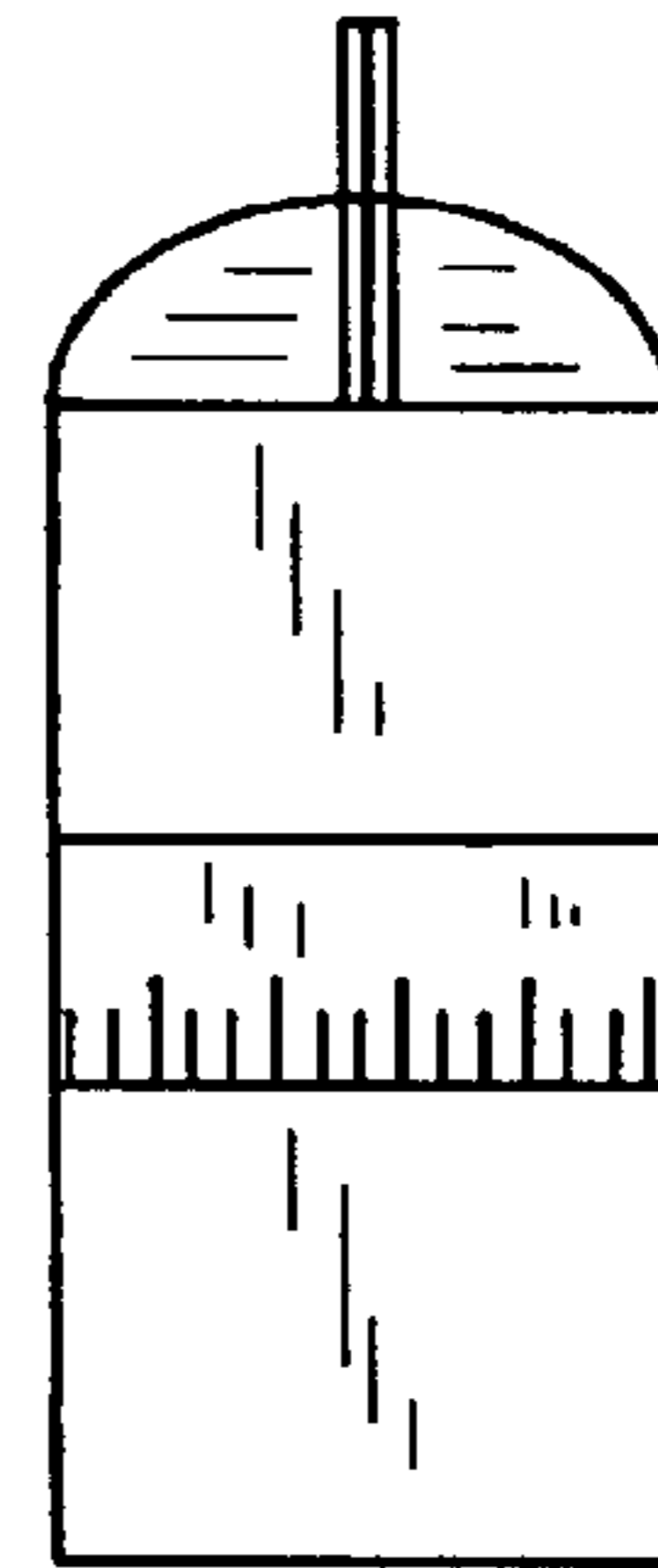


FIG. 3



FIG. 4

UNITED STATES PATENT AND TRADEMARK OFFICE  
**CERTIFICATE OF CORRECTION**

PATENT NO. : Des. 498,417 S  
DATED : November 16, 2004  
INVENTOR(S) : Jessica T. Crane

Page 1 of 1

It is certified that error appears in the above-identified patent and that said Letters Patent is hereby corrected as shown below:

Title page,  
Item [57], **DESCRIPTION,**  
Delete "perspectivre" and replace with -- perspective --.

Signed and Sealed this

Fifteenth Day of February, 2005

A handwritten signature in black ink on a light gray dotted background. The signature reads "Jon W. Dudas" in a cursive style.

JON W. DUDAS

*Director of the United States Patent and Trademark Office*