

US00D498414S

(12) **United States Design Patent**  
**Yoneoka**

(10) **Patent No.:** **US D498,414 S**

(45) **Date of Patent:** **\*\* Nov. 16, 2004**

(54) **ARTICLE FOR FIXING PANEL**

(75) **Inventor:** **Akira Yoneoka, Kanagawa-ken (JP)**

(73) **Assignee:** **Piolax Inc., Yokohama (JP)**

(\*\*) **Term:** **14 Years**

(21) **Appl. No.:** **29/194,243**

(22) **Filed:** **Nov. 21, 2003**

(51) **LOC (7) Cl. .... 08-08**

(52) **U.S. Cl. .... D8/382**

(58) **Field of Search ..... D8/382; 411/508-150,**  
**411/45; 24/453, 297**

(56) **References Cited**

**U.S. PATENT DOCUMENTS**

5,211,519	A	*	5/1993	Saito	.....	411/45
5,568,675	A	*	10/1996	Asami et al.	.....	24/453
5,846,040	A	*	12/1998	Ueno	.....	411/45
6,481,942	B2	*	11/2002	Tanaka	.....	411/45
6,514,023	B2	*	2/2003	Moerke	.....	411/45

**FOREIGN PATENT DOCUMENTS**

JP 2001336515 A \* 12/2001 ..... F16B/19/10

\* cited by examiner

*Primary Examiner*—Holly Baynham

(74) *Attorney, Agent, or Firm*—McGinn & Gibb, PLLC

(57) **CLAIM**

The ornamental design for an article for fixing panel, as shown and described.

**DESCRIPTION**

FIG. 1 is a perspective view of the front, top and left side of an article for fixing panel showing my new design;

FIG. 2 is a front view thereof;

FIG. 3 is a rear view thereof;

FIG. 4 is a right side view thereof;

FIG. 5 is a top plan view thereof;

FIG. 6 is a bottom view thereof;

FIG. 7 is a front view of the female part thereof;

FIG. 8 is a rear view of the female part thereof;

FIG. 9 is a right side view of the female part thereof;

FIG. 10 is a top plan view of the female part thereof;

FIG. 11 is a bottom view of the female part thereof;

FIG. 12 is a front view of the male part thereof;

FIG. 13 is a rear view of the male part thereof;

FIG. 14 is a top plan view of the male part thereof;

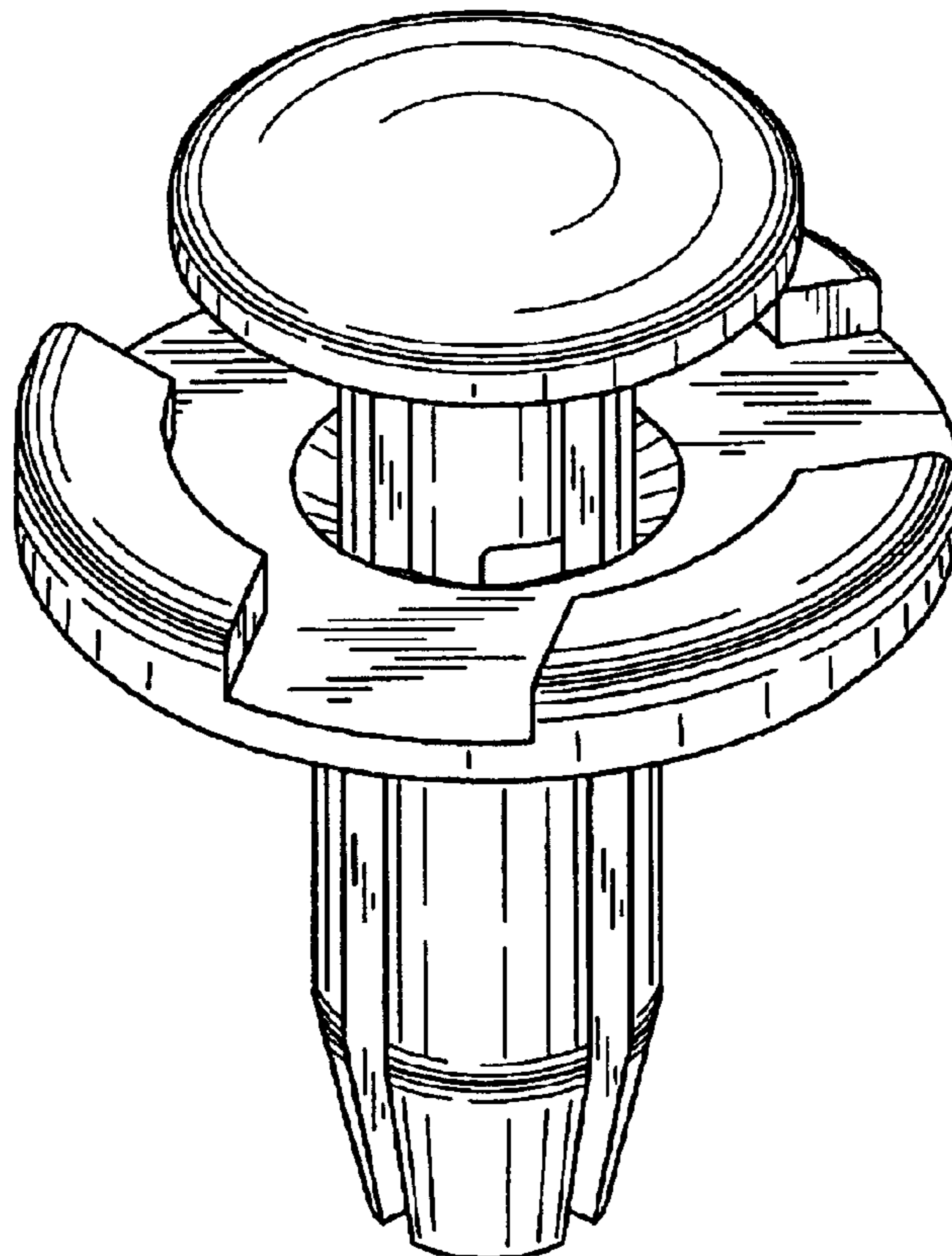
FIG. 15 is a bottom view of the male part thereof; and,

FIG. 16 is a reference view of usage thereof.

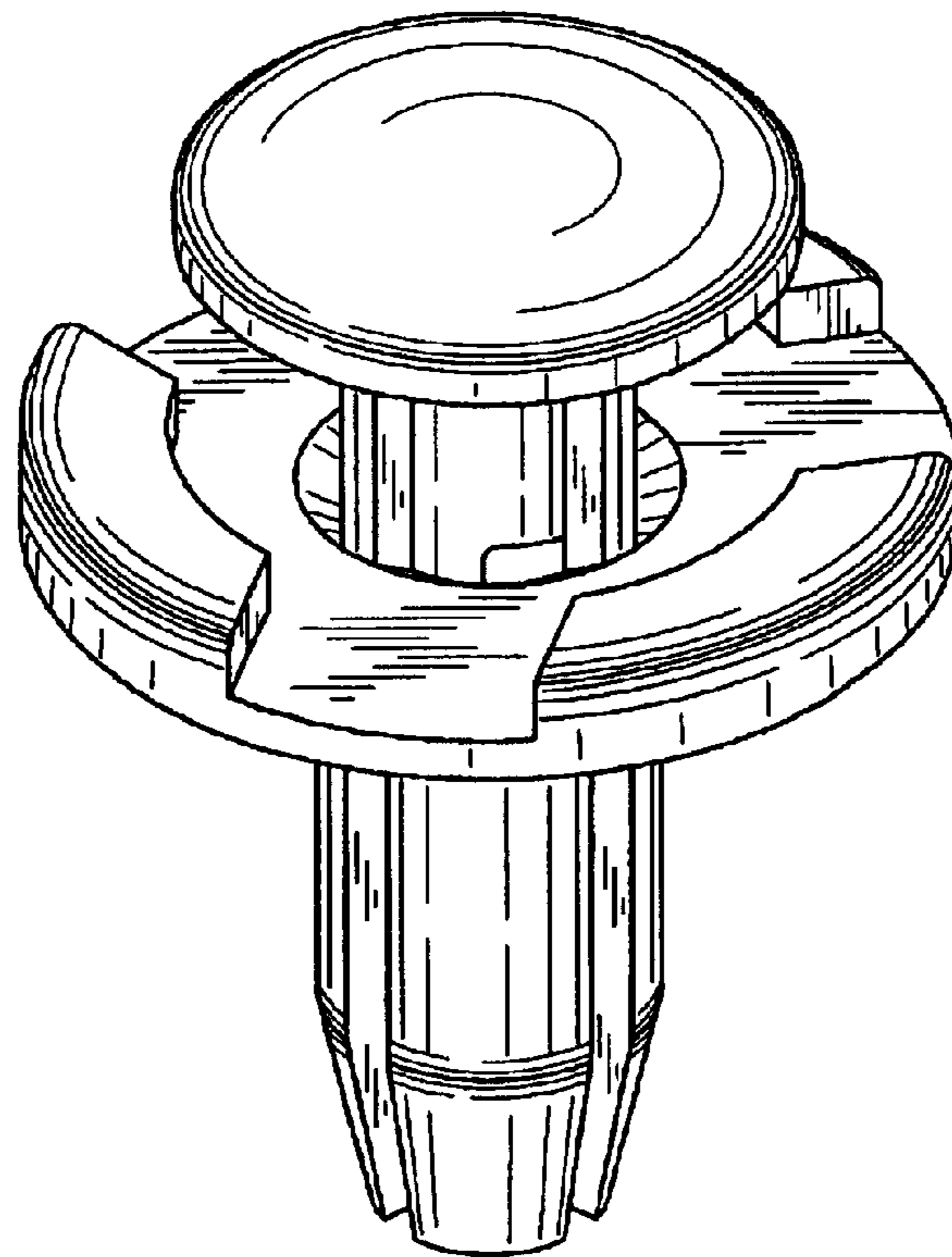
The broken line is for illustrative purposes only and forms no part of the claimed design.

The elements of the claimed design are shown separate for ease of clarity and illustration.

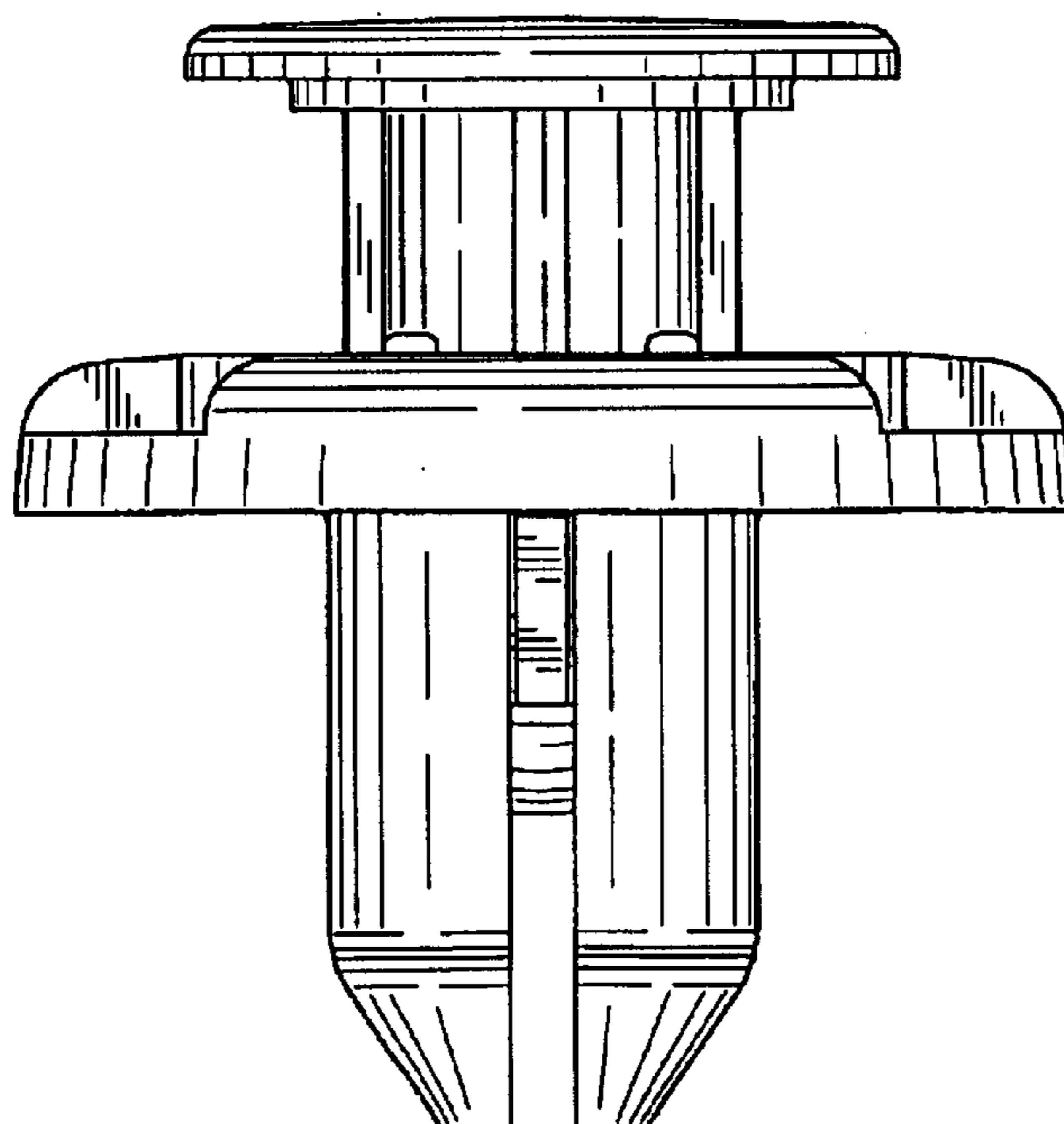
**1 Claim, 8 Drawing Sheets**



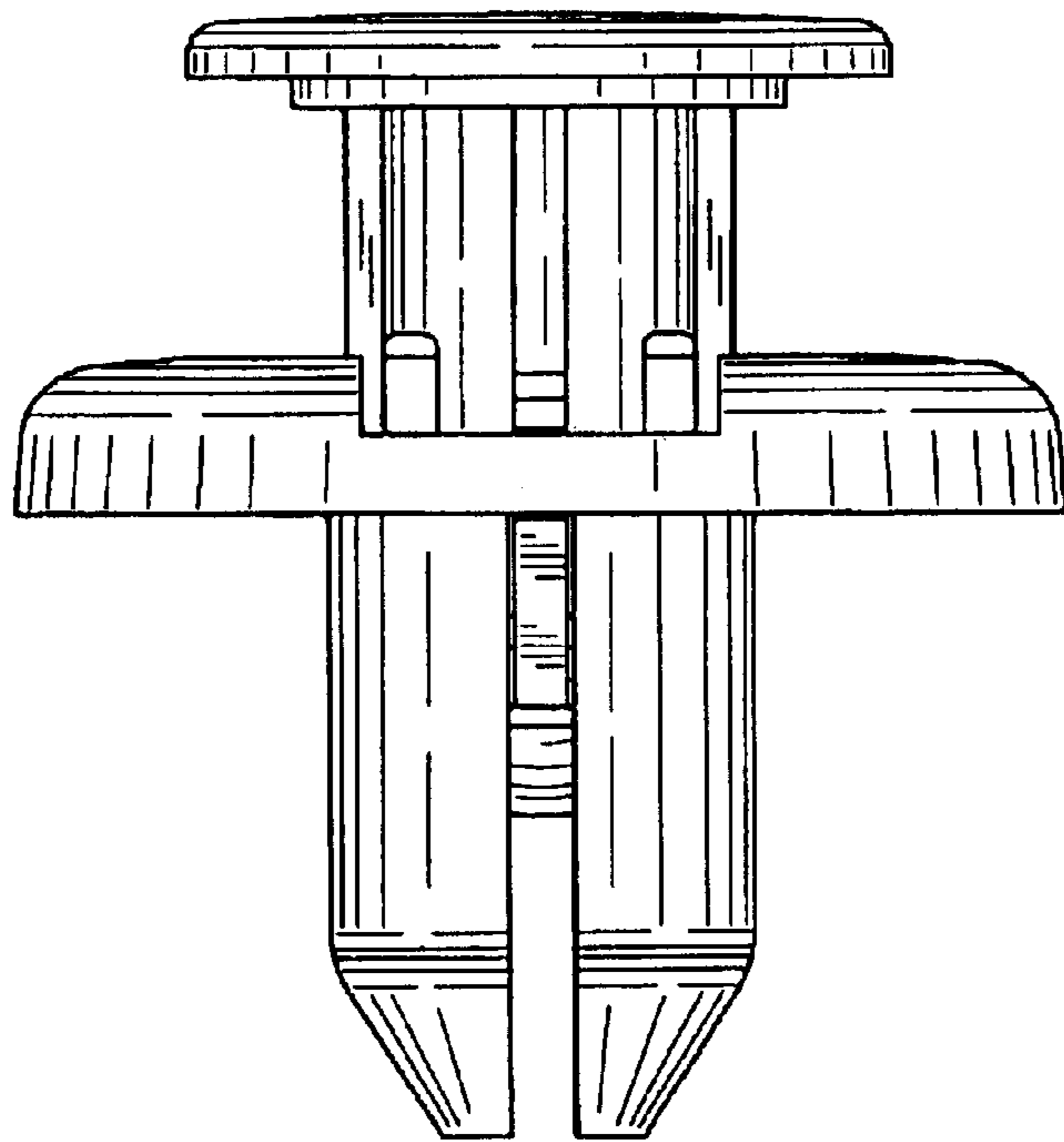
*FIG. 1*



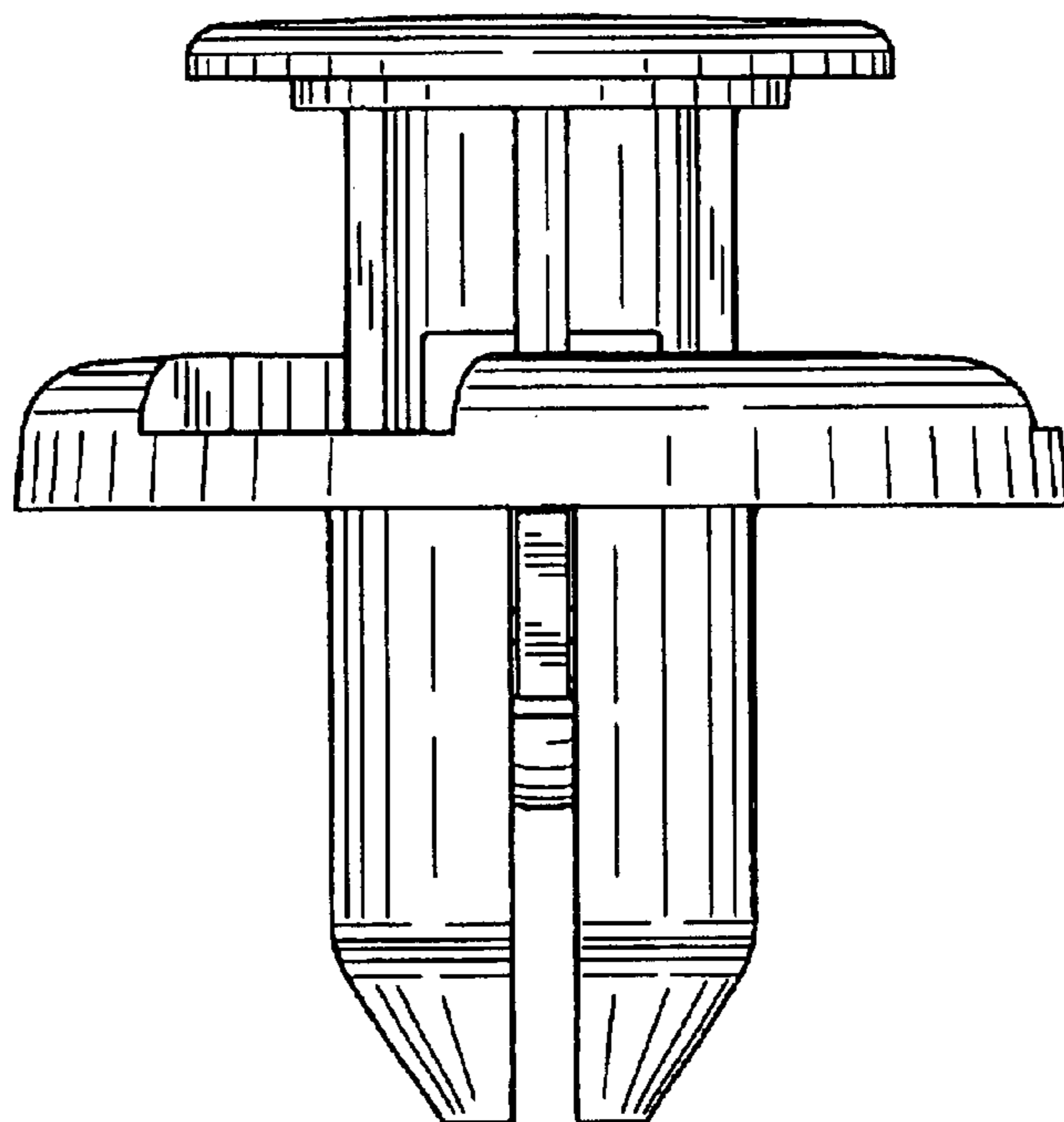
*FIG. 2*



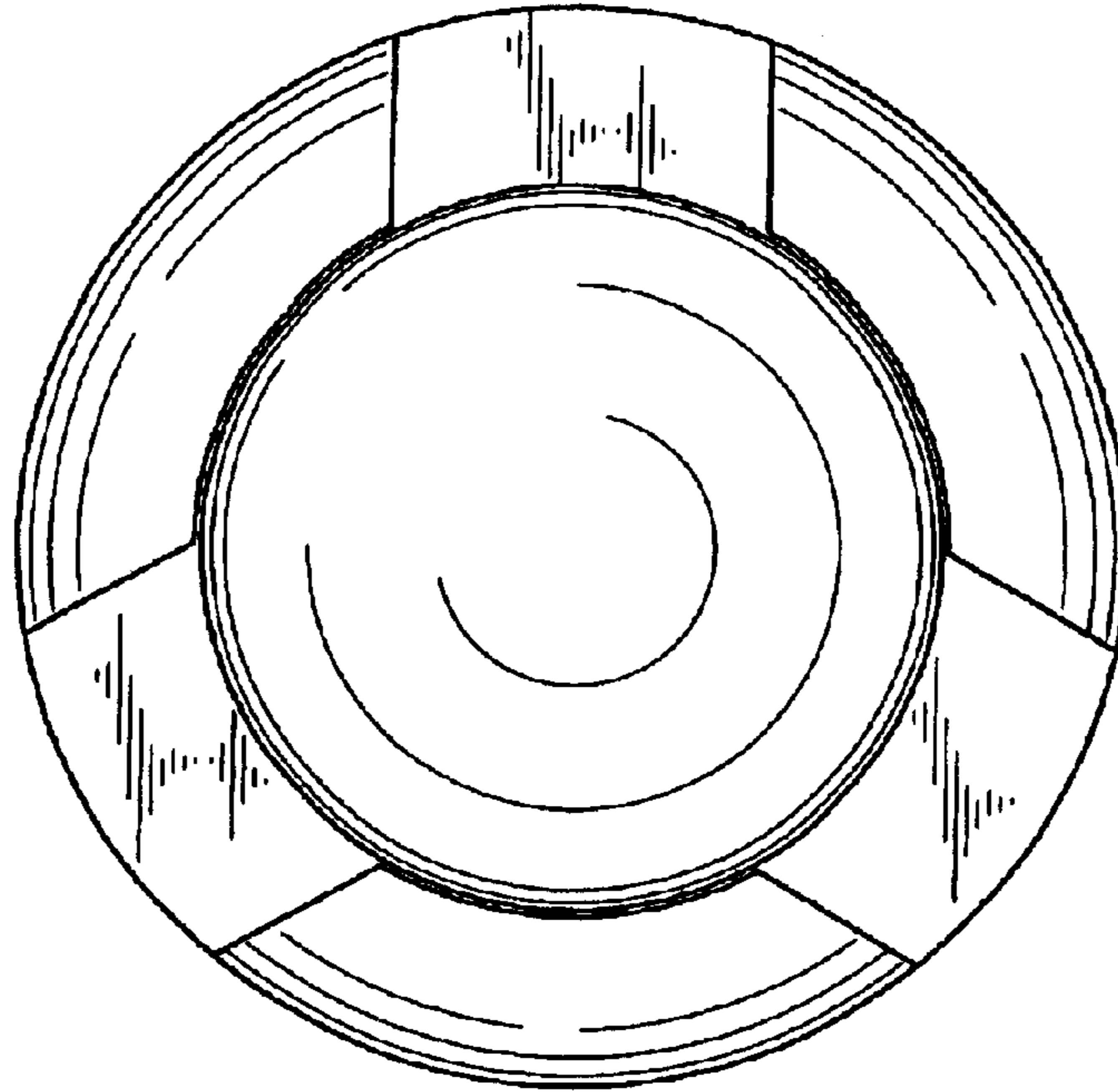
*FIG. 3*



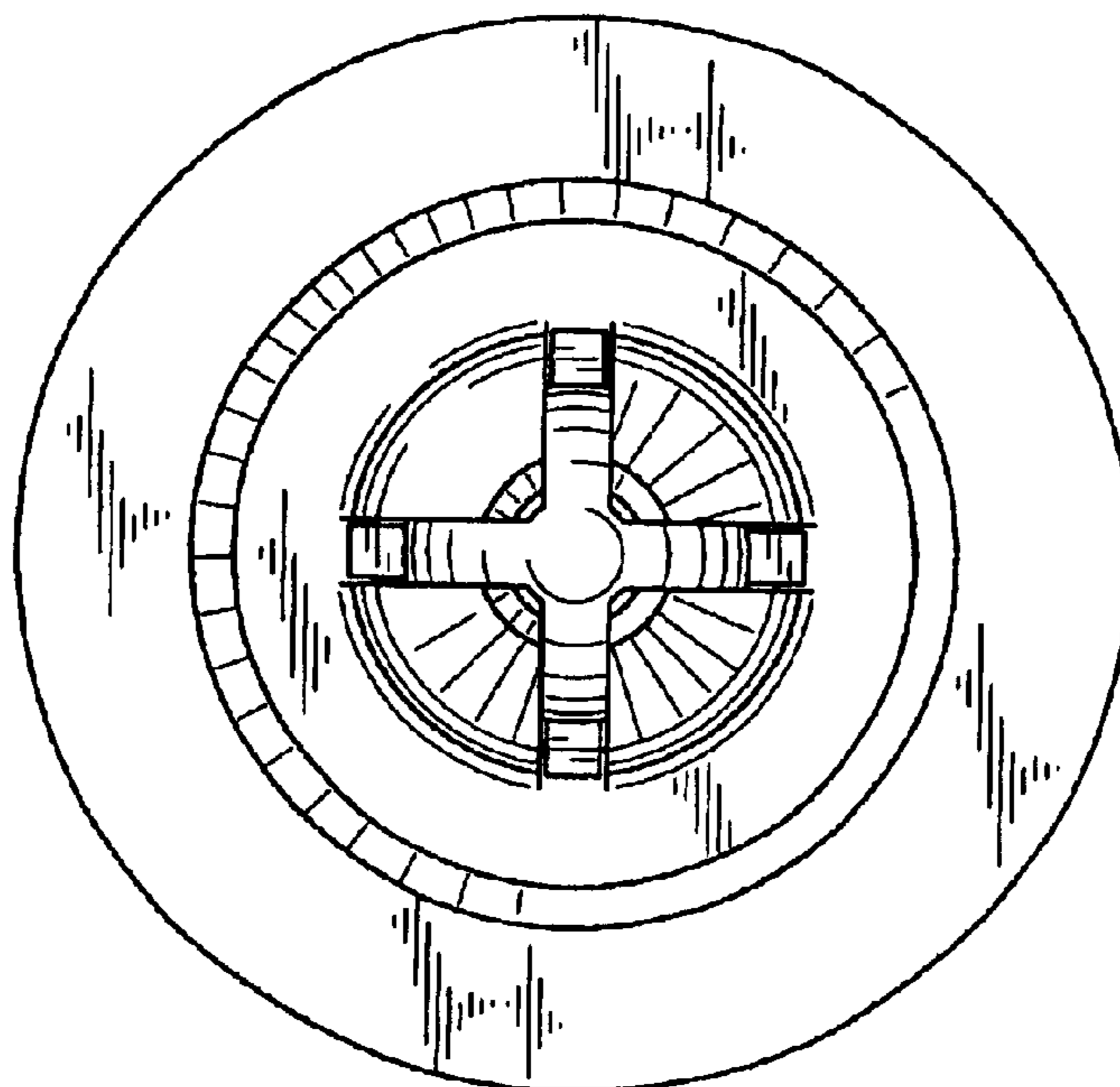
*FIG. 4*



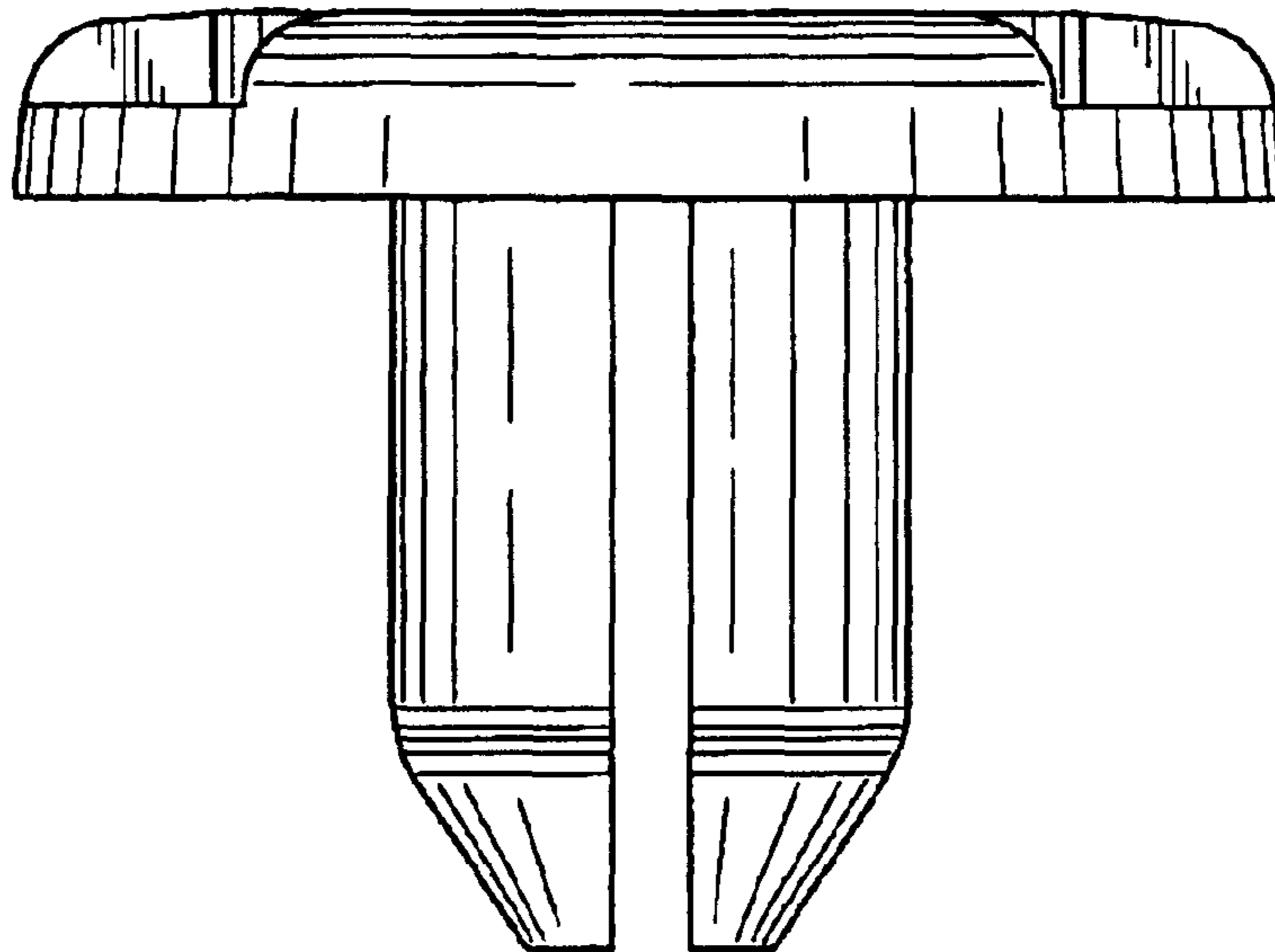
**FIG. 5**



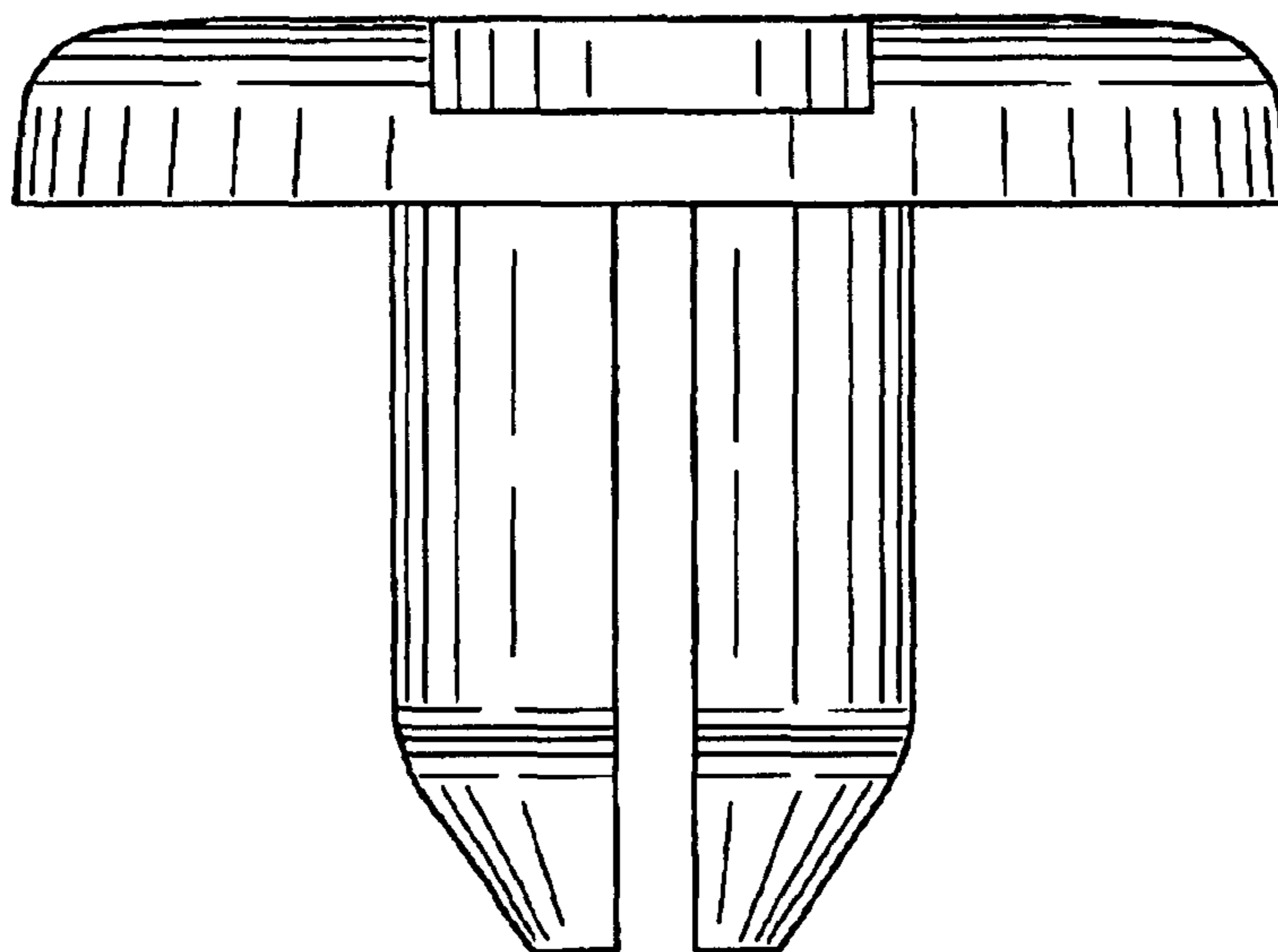
**FIG. 6**



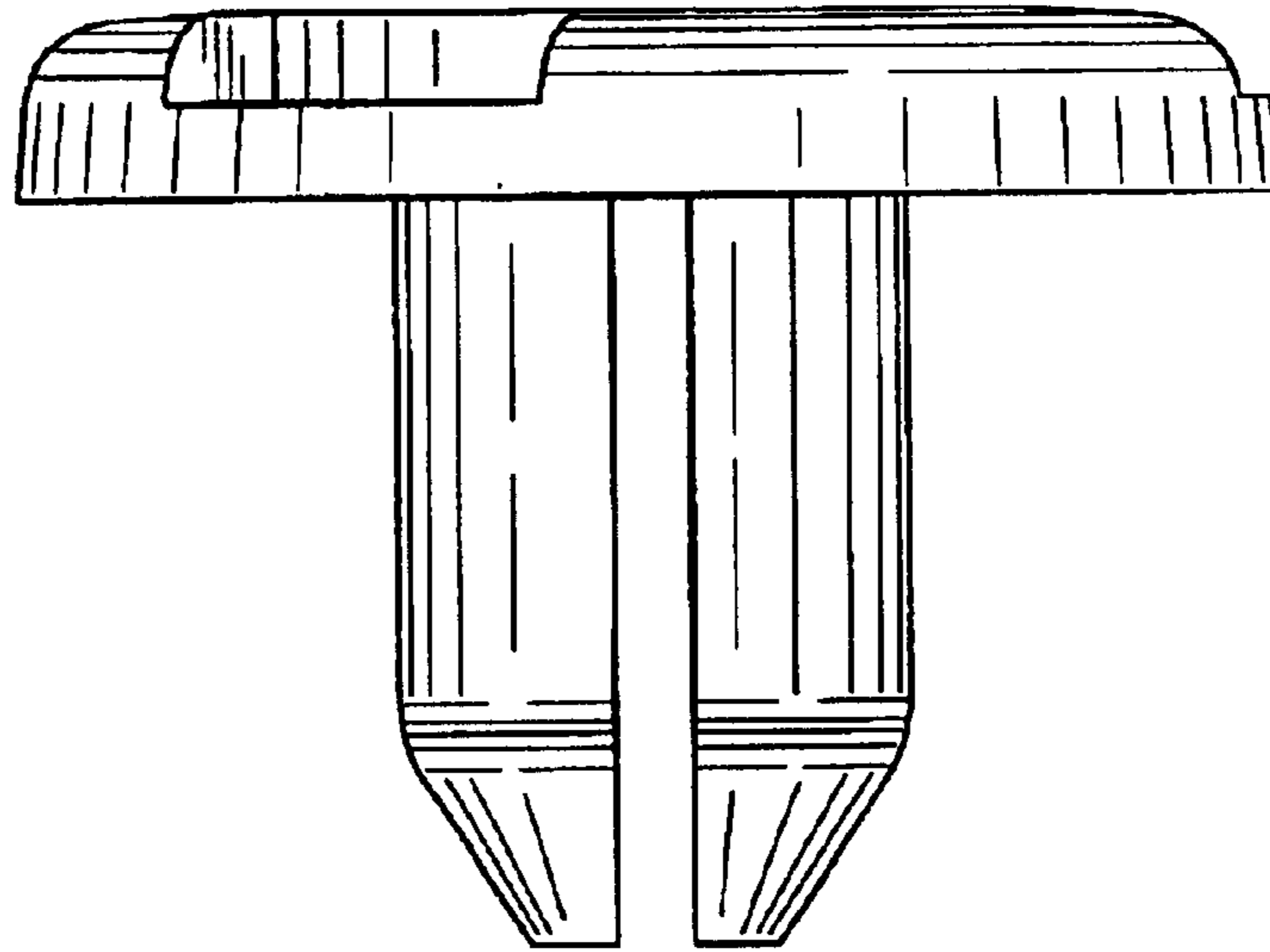
*FIG. 7*



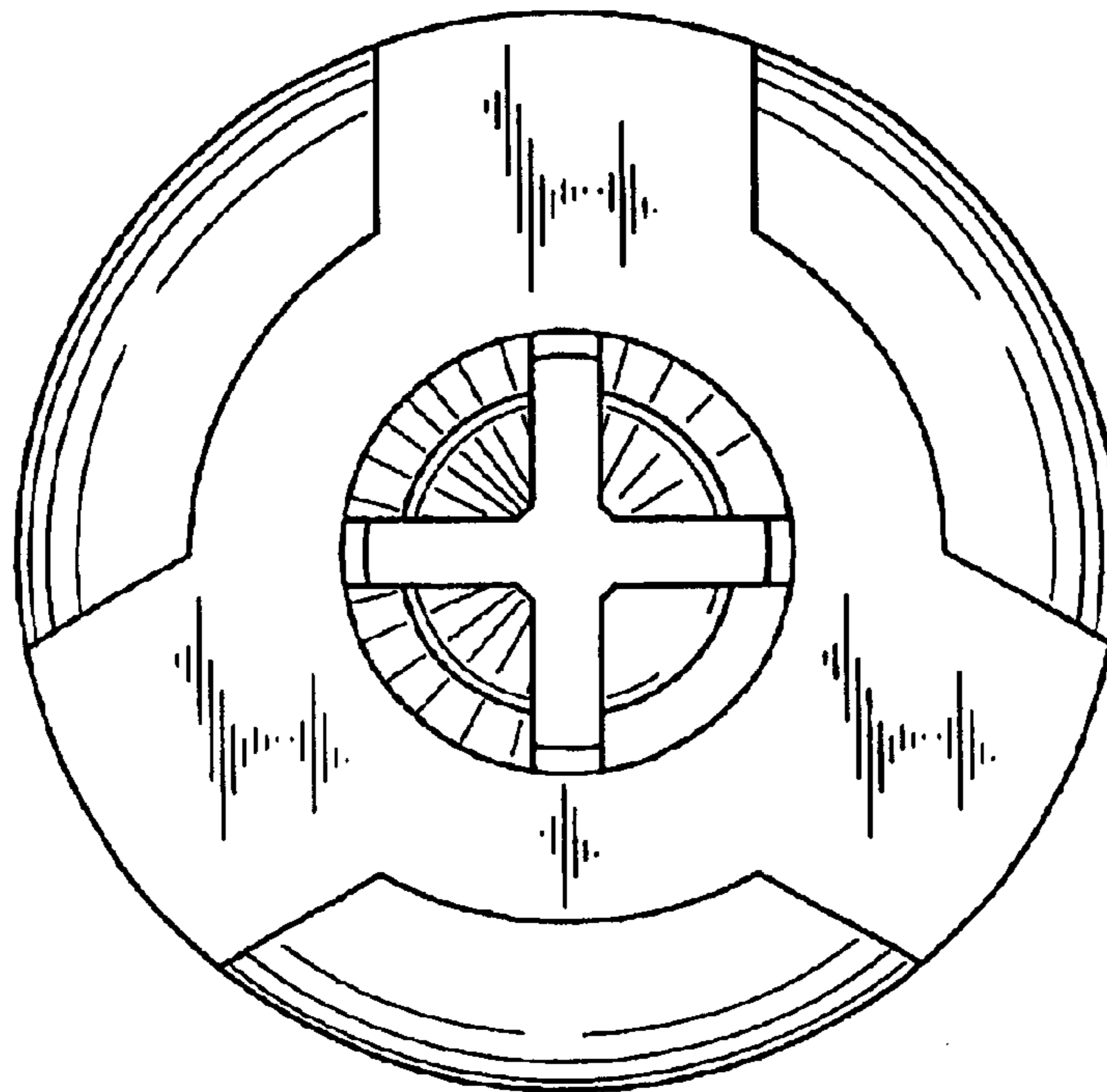
*FIG. 8*



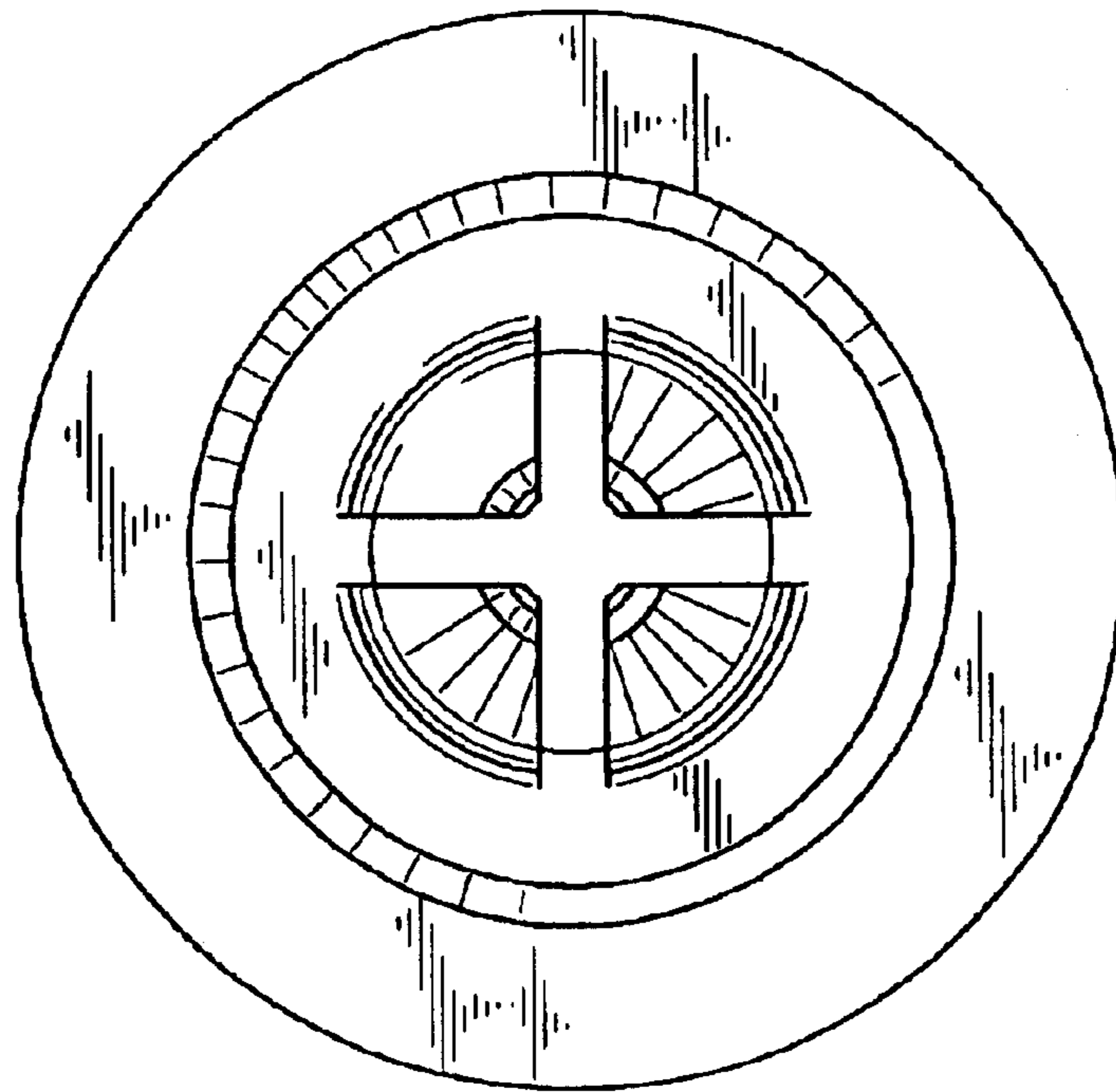
**FIG. 9**



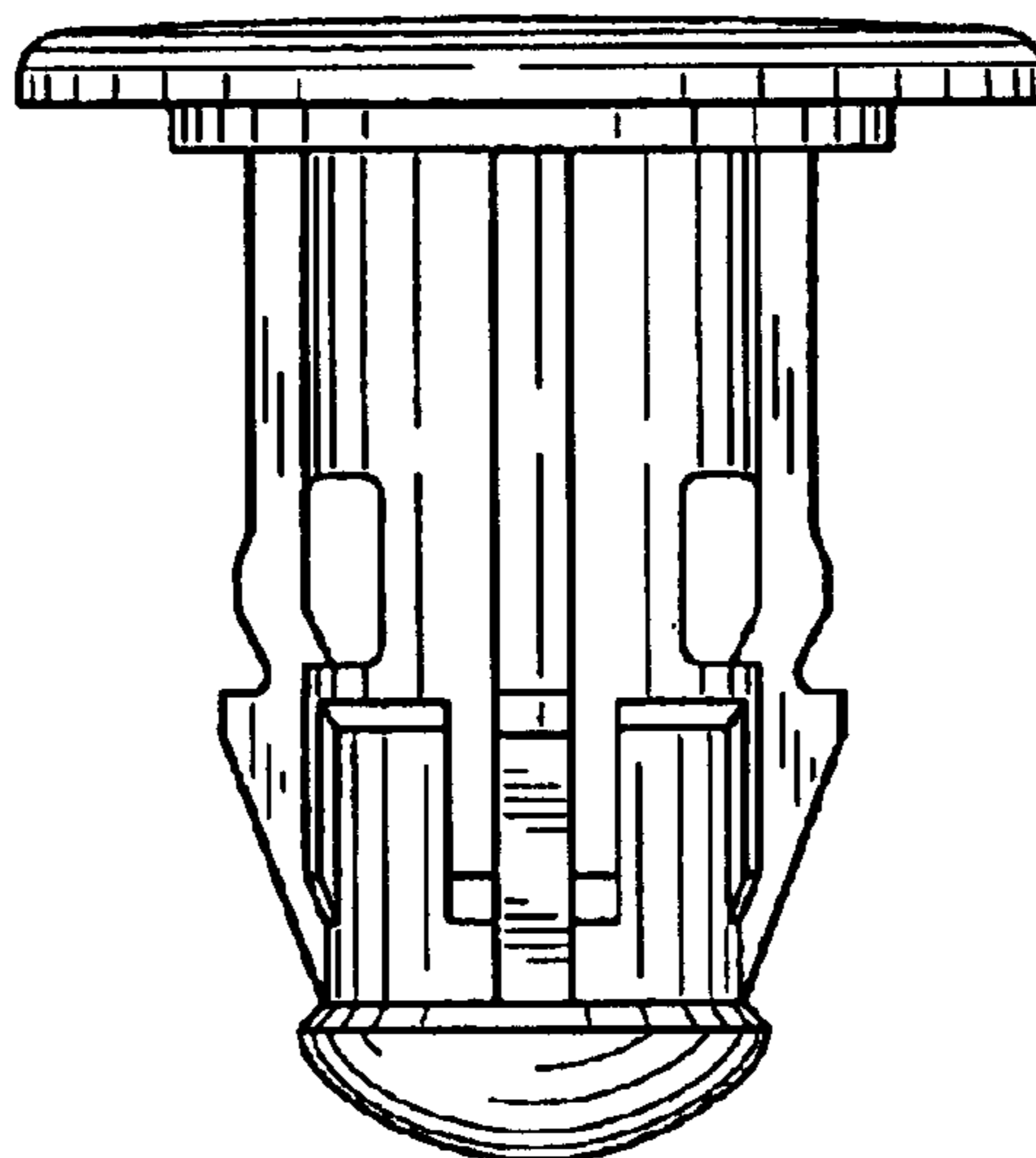
**FIG. 10**



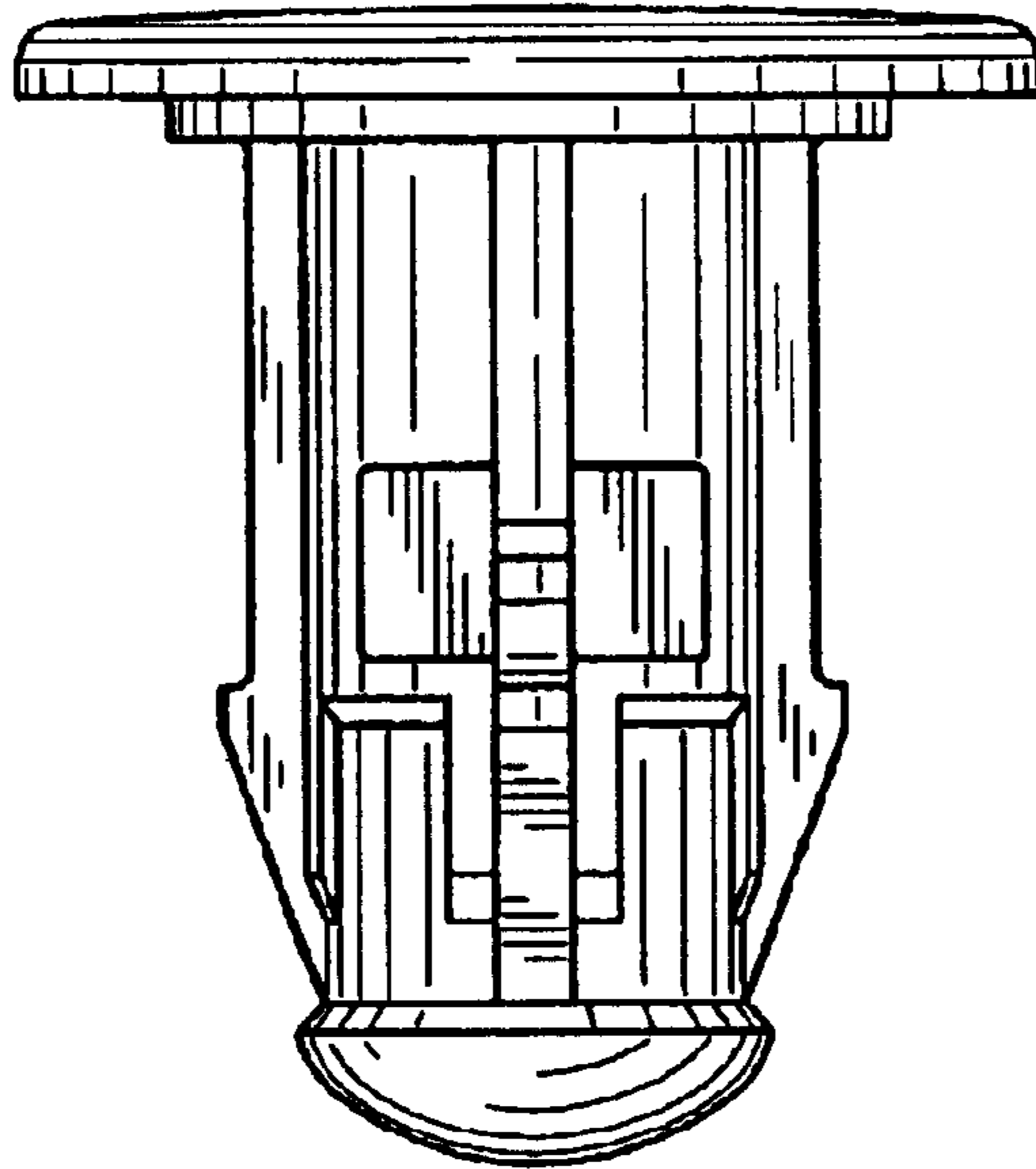
*FIG. 11*



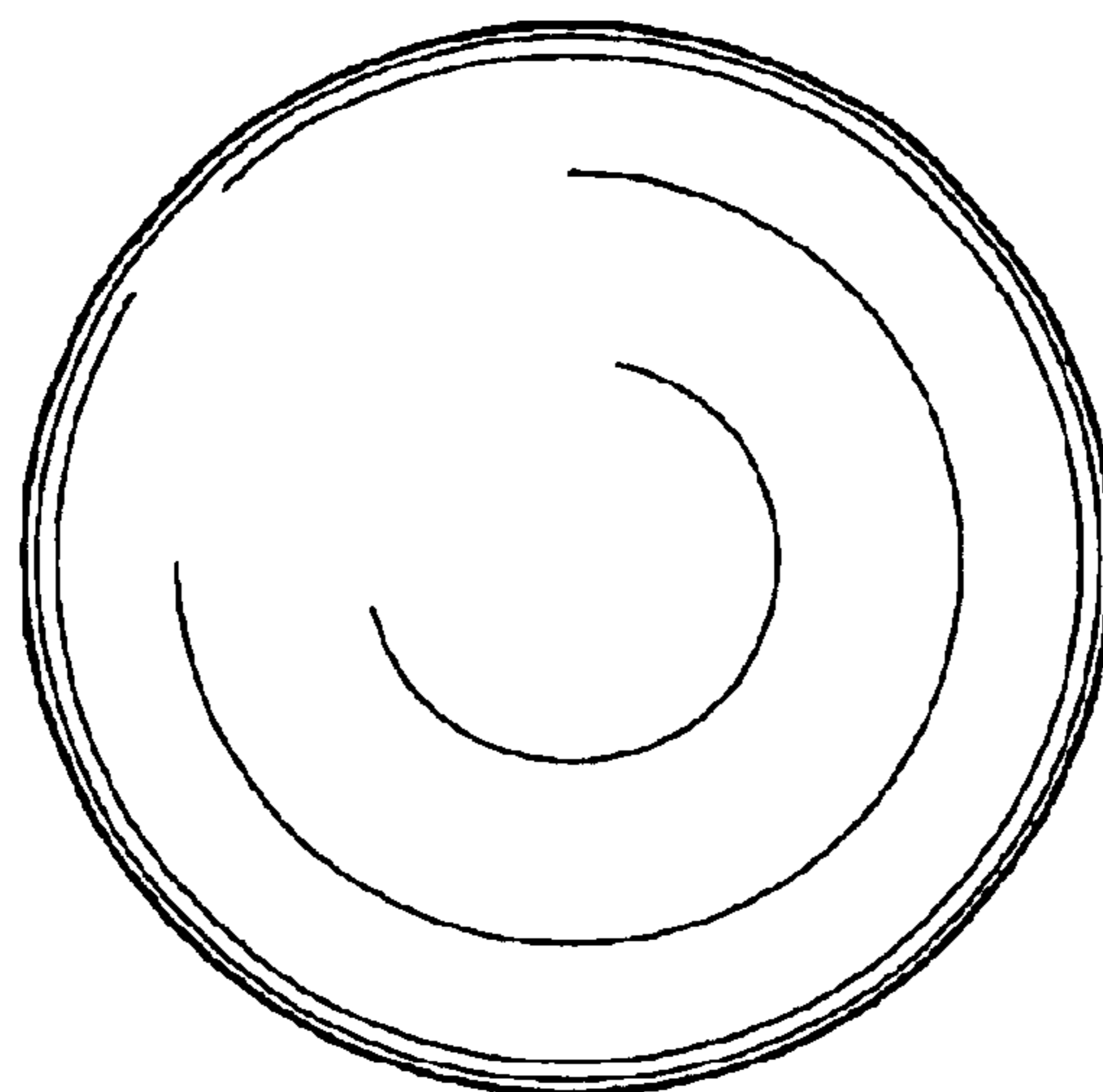
*FIG. 12*



**FIG. 13**

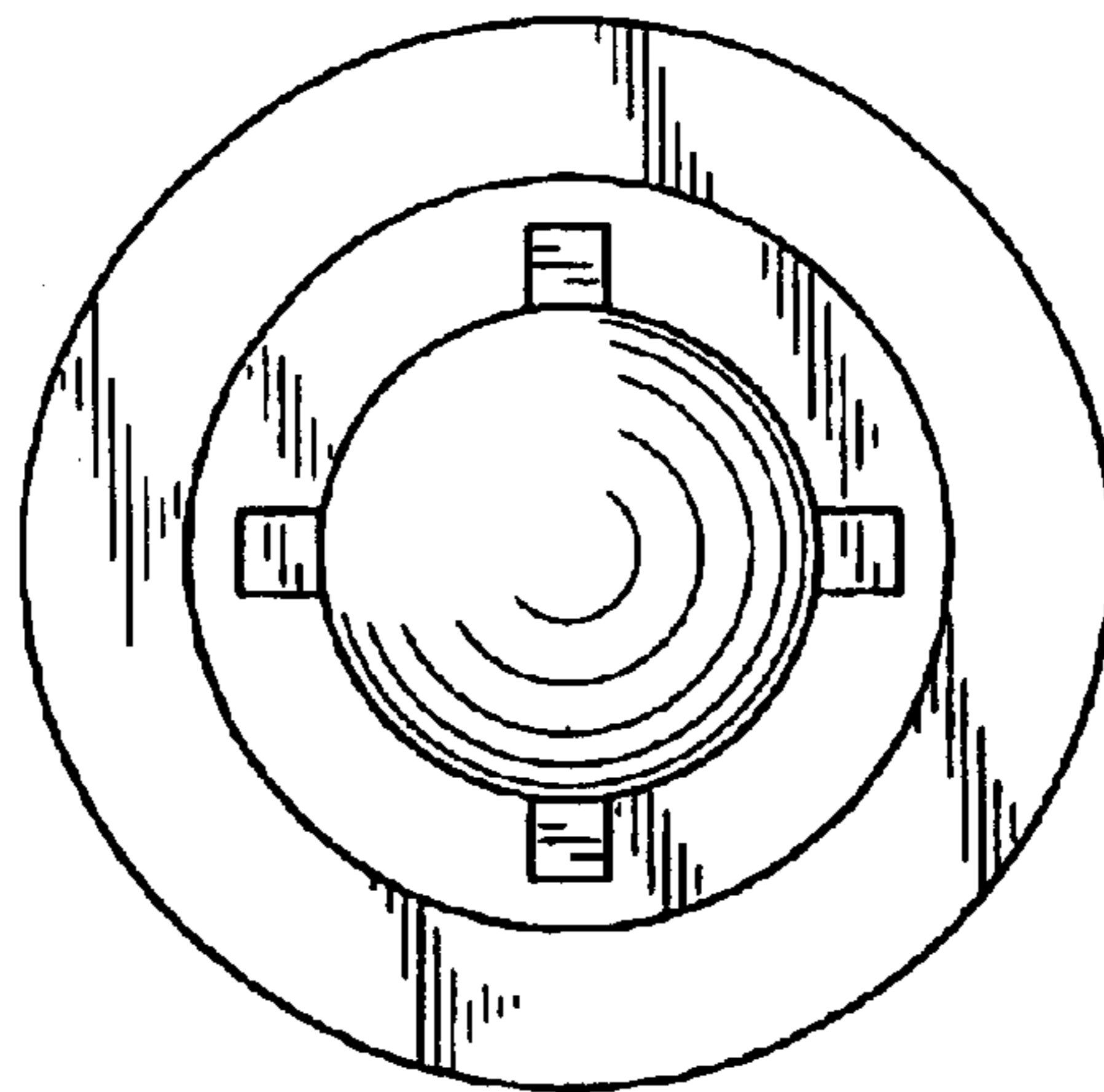


**FIG. 14**





**FIG. 15**



**FIG. 16**

