



US00D498410S

(12) **United States Design Patent**
Ham

(10) **Patent No.:** **US D498,410 S**

(45) **Date of Patent:** **** Nov. 16, 2004**

(54) **CORD WINDER**

(75) **Inventor:** **Soohyun Ham**, Santa Cruz, CA (US)

(73) **Assignee:** **Plantronics, Inc.**, Santa Cruz, CA (US)

(**) **Term:** **14 Years**

(21) **Appl. No.:** **29/196,546**

(22) **Filed:** **Dec. 29, 2003**

(51) **LOC (7) Cl.** **08-05**

(52) **U.S. Cl.** **D8/358**

(58) **Field of Search** D8/356, 358, 359;
D13/153, 154; 191/12.2 R, 12.4; 242/378,
378.1, 379, 379.2, 388, 388.1, 395, 398,
402, 403.1, 404, 405, 405.1, 405.2, 405.3,
406, 407; 439/4, 501, 528

(56) **References Cited**

U.S. PATENT DOCUMENTS

- 101,442 A * 4/1870 Donnellan 242/395
- 3,874,608 A * 4/1975 Quenot 242/405
- 3,907,228 A * 9/1975 Lewis 242/129
- D260,073 S * 8/1981 Wells D8/358
- D316,030 S * 4/1991 Adielsson D8/358
- D387,062 S * 12/1997 Heine D14/230
- D436,518 S * 1/2001 Matsubara D8/356

6,359,764 B1 * 3/2002 Chou 361/93.1

* cited by examiner

Primary Examiner—James Gandy

Assistant Examiner—Elizabeth Albert

(74) *Attorney, Agent, or Firm*—Peter Hsieh

(57) **CLAIM**

The ornamental design for a cord winder, as shown and described.

DESCRIPTION

FIG. 1 is a lower front right perspective view of a cord winder, such as may be used with a communications headset, the broken line drawing of a clothing clip in the drawings herein is for illustrative purposes only and forms no part of the claimed design.

FIG. 2 is an upper rear left perspective view of the cord winder.

FIG. 3 is a front elevational view of the cord winder.

FIG. 4 is a rear elevational view of the cord winder.

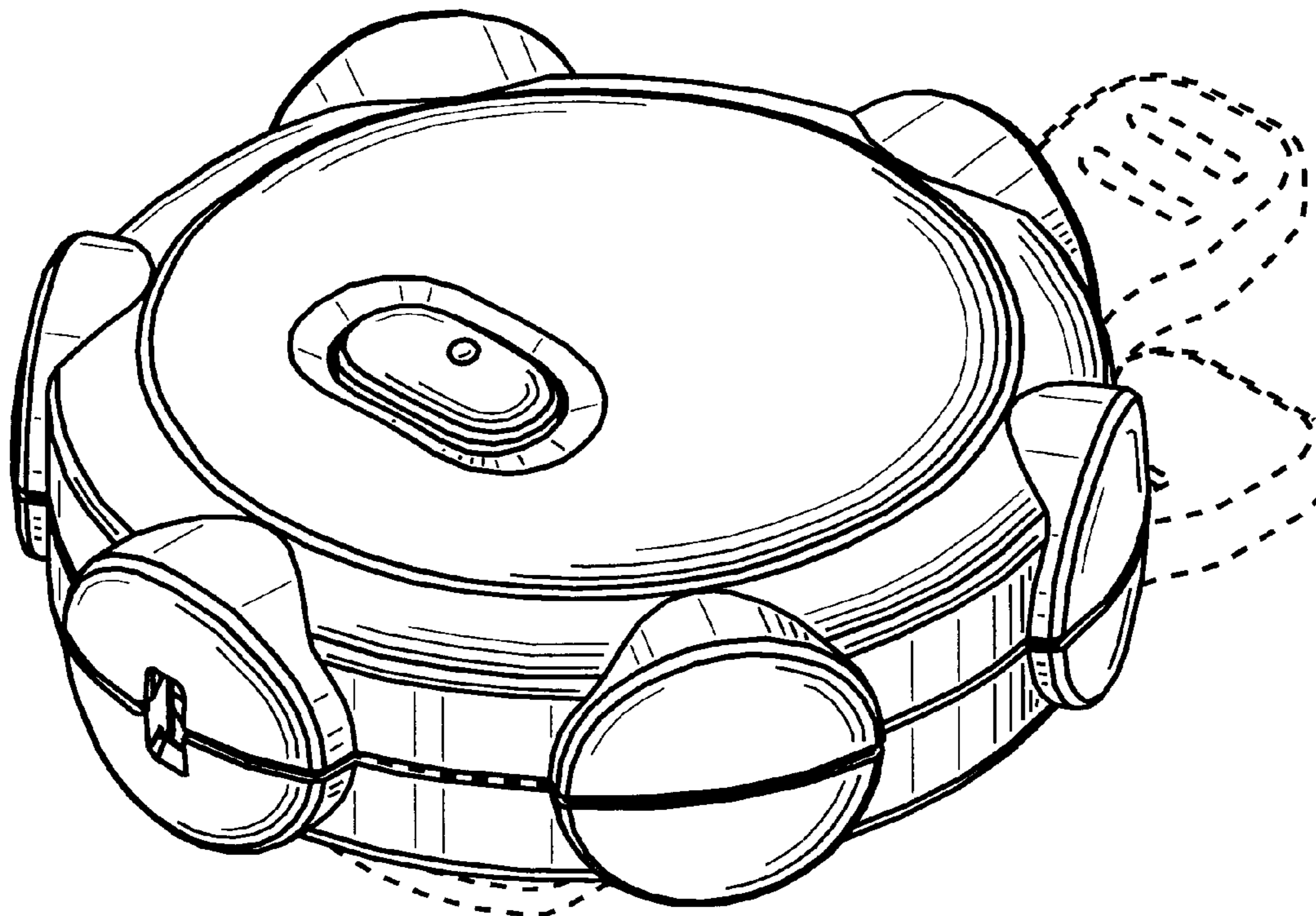
FIG. 5 is a left side elevational view of the cord winder.

FIG. 6 is a right side elevational view of the cord winder.

FIG. 7 is a top plan view of the cord winder; and,

FIG. 8 is a bottom plan view of the cord winder.

1 Claim, 3 Drawing Sheets



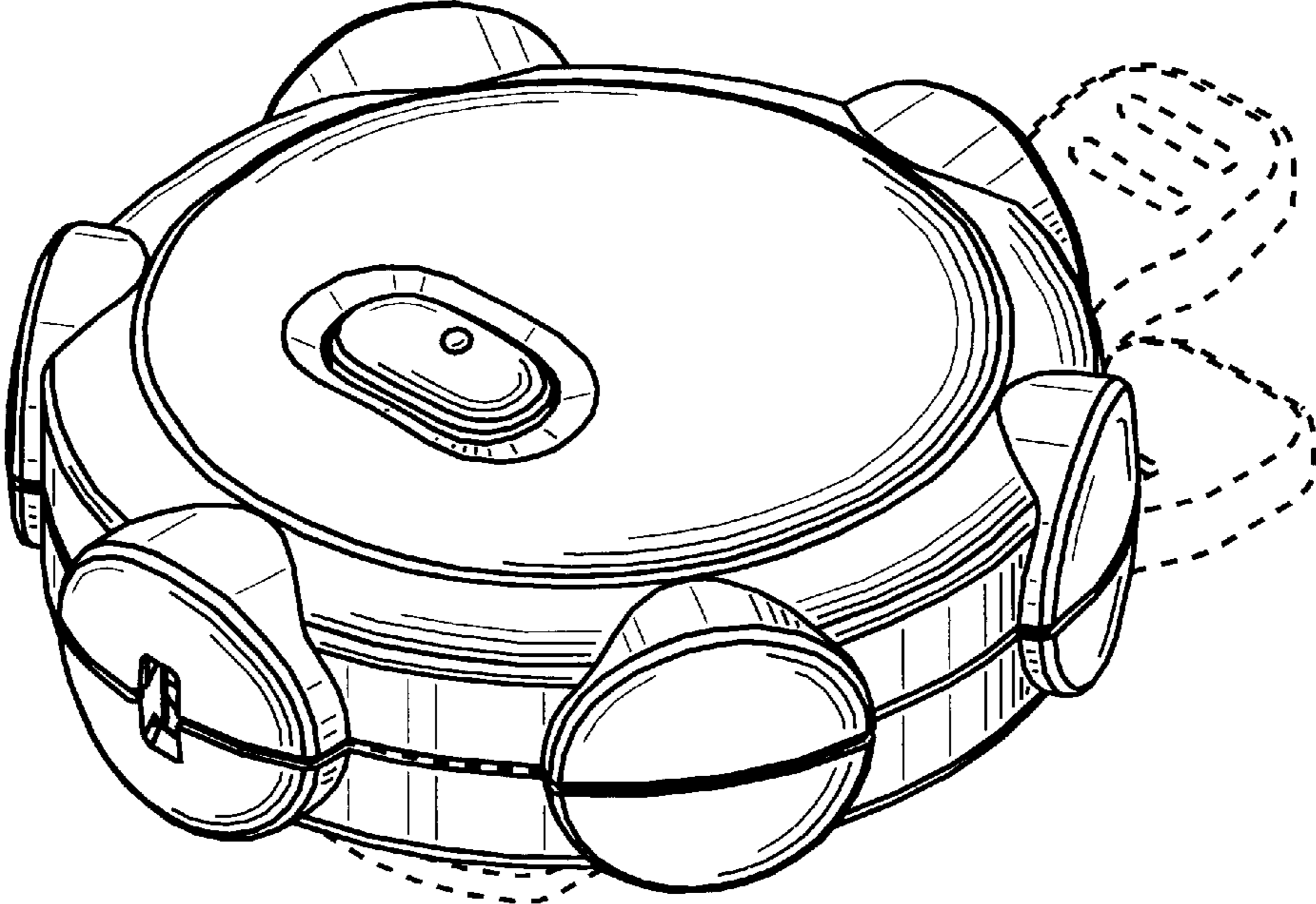


FIG. 1

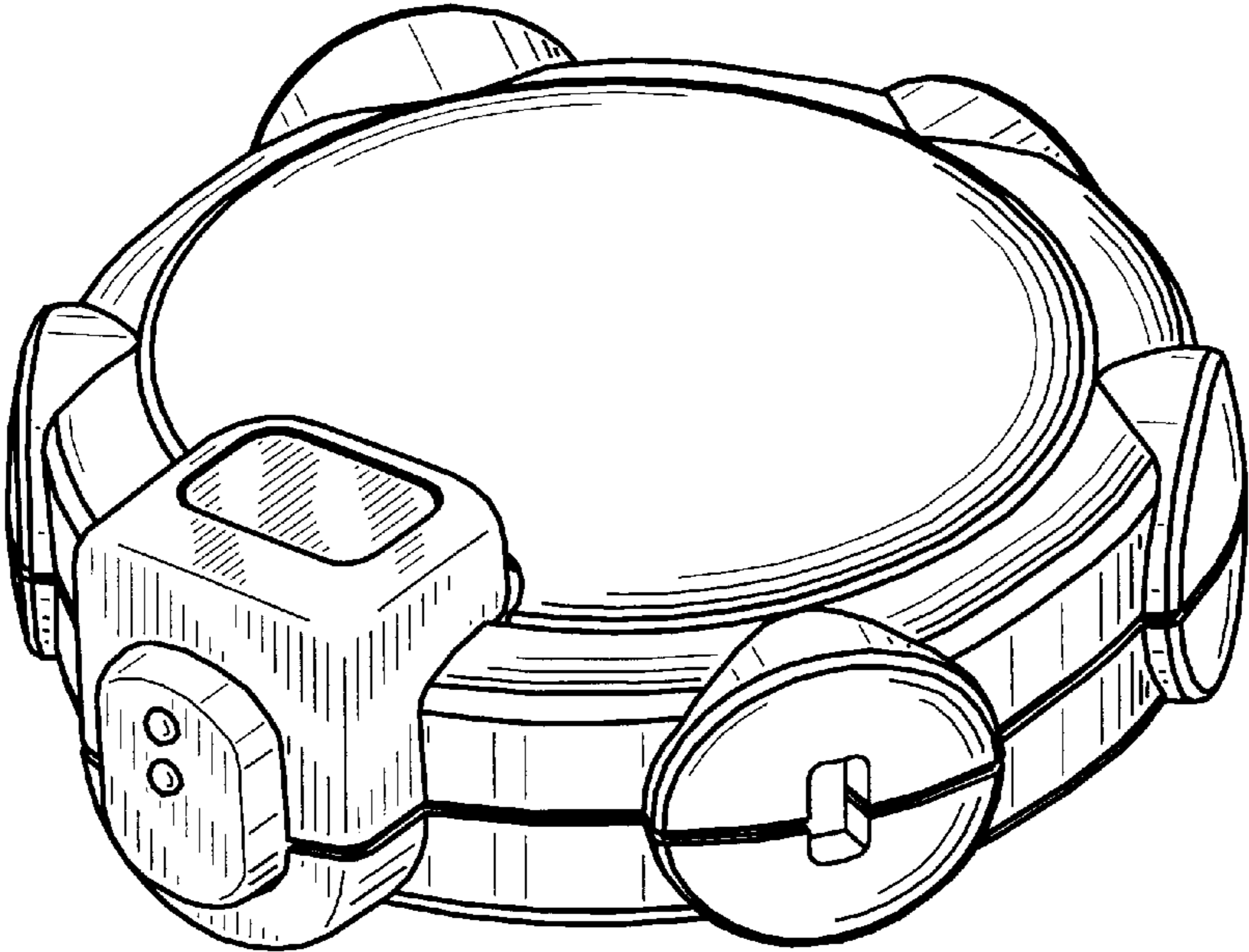


FIG. 2

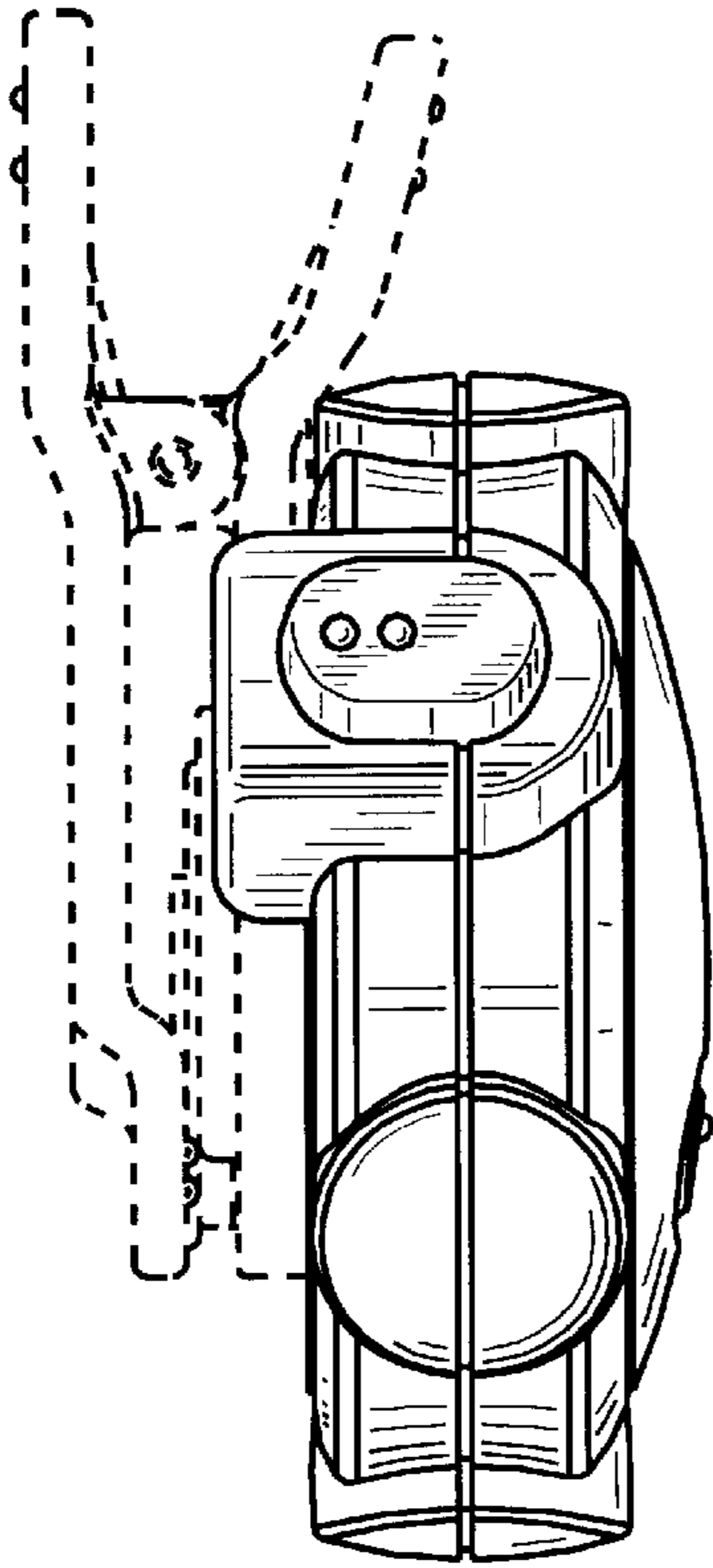


FIG. 5

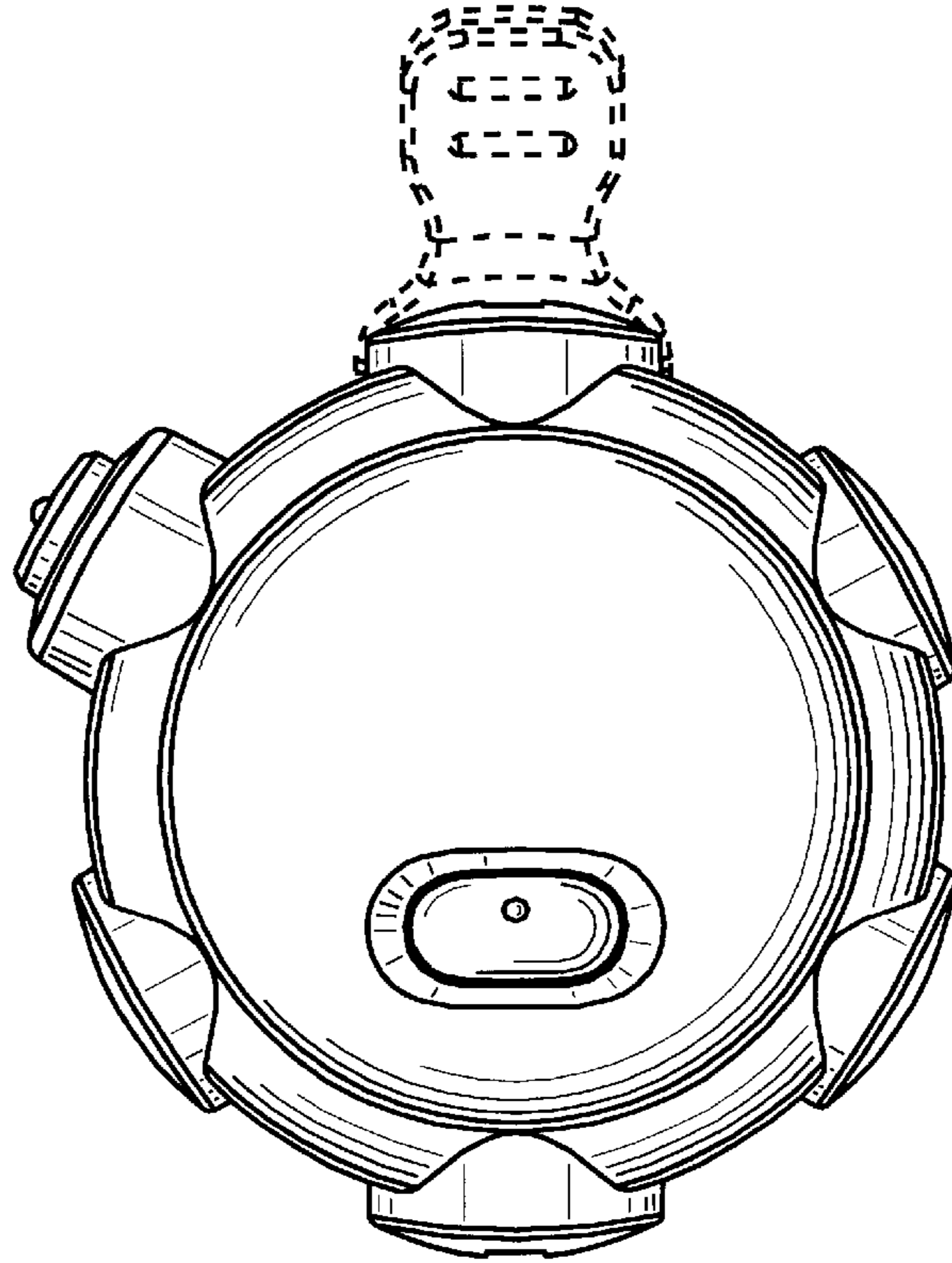


FIG. 3

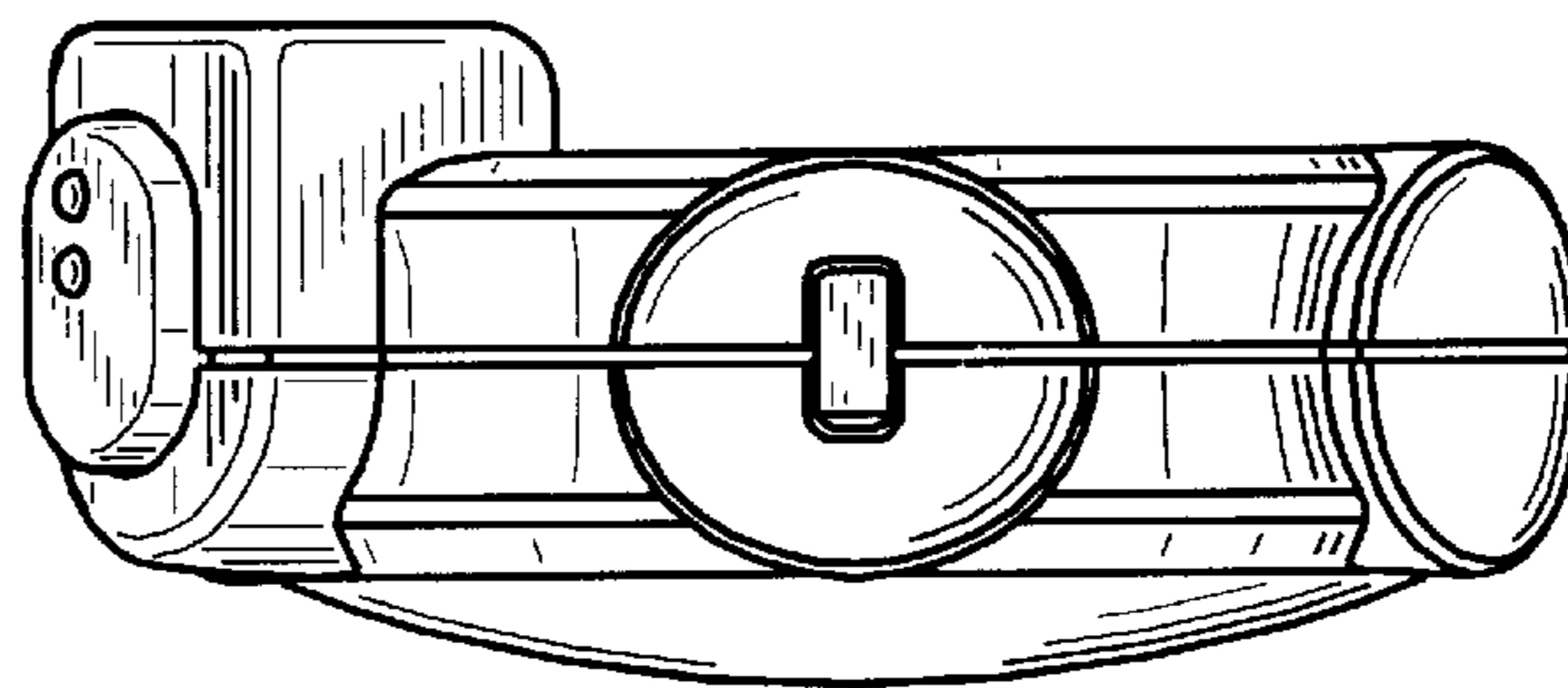


FIG. 7

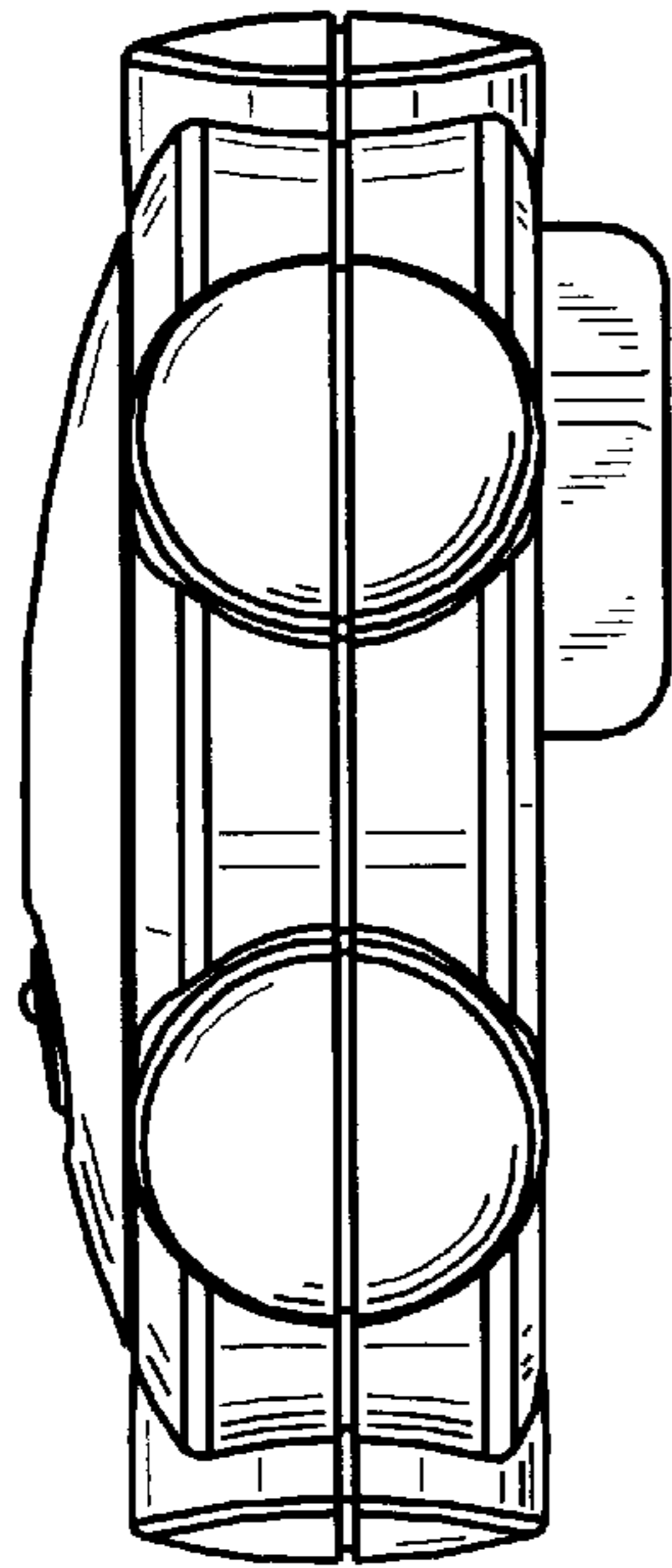


FIG._6

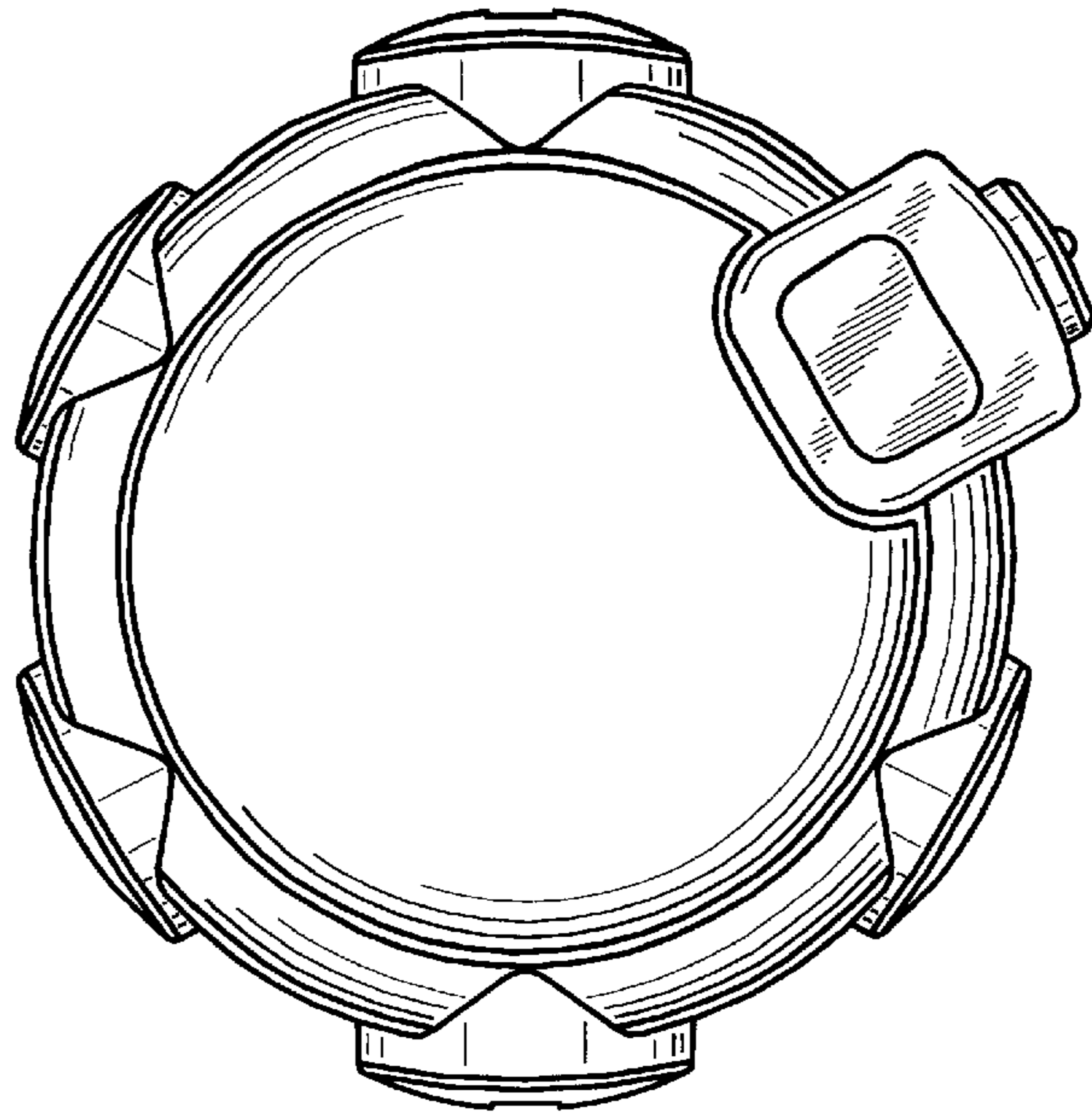


FIG._4

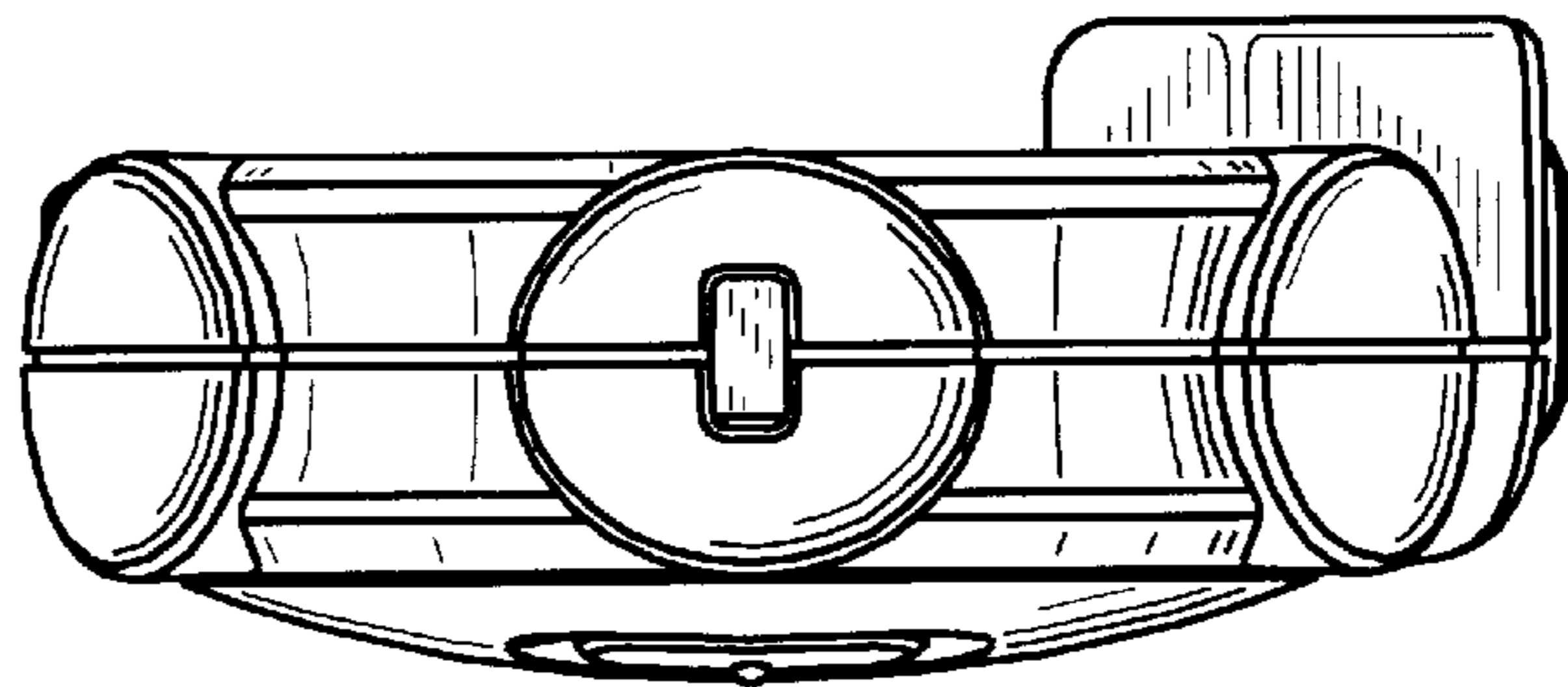


FIG._8