

US00D498405S

(12) **United States Design Patent**
Weinerman et al.

(10) **Patent No.:** **US D498,405 S**
(45) **Date of Patent:** **** Nov. 16, 2004**

(54) **COMBINATION OF HOUSING AND PADDLE HANDLE FOR LATCHES AND LOCKS**

(75) Inventors: **Lee S. Weinerman**, Medina, OH (US);
Scott A. Arthurs, Brunswick, OH (US)

(73) Assignee: **The Eastern Company**, Cleveland, OH (US)

(**) Term: **14 Years**

(21) Appl. No.: **29/163,468**

(22) Filed: **Jul. 3, 2002**

Related U.S. Application Data

(60) Continuation-in-part of application No. 29/130,907, filed on Oct. 11, 2000, now Pat. No. Des. 460,680, and a continuation-in-part of application No. 29/154,654, filed on Jan. 25, 2002, now Pat. No. Des. 465,399, which is a division of application No. 29/130,907, filed on Oct. 11, 2000, now Pat. No. Des. 460,680.

(51) **LOC (7) Cl.** **08-06**

(52) **U.S. Cl.** **D8/306**

(58) **Field of Search** D8/301, 302, 306,
D8/307, 338, 341, 350, 353; 70/135, 208;
292/223, 226, 336.3, 169

(56) **References Cited**

U.S. PATENT DOCUMENTS

- D119,418 S 3/1940 Anderson et al.
- 2,721,751 A * 10/1955 Holritz 292/169
- 2,735,706 A 2/1956 Pelcin
- 3,209,564 A 10/1965 Pelcin
- D210,152 S 2/1968 Pastva
- D210,153 S 2/1968 Pastva
- D218,672 S * 9/1970 Lauper D8/302
- 3,758,140 A * 9/1973 Prete, Jr. 292/223
- D230,132 S 1/1974 Pastva
- 4,116,027 A 9/1978 Tannery
- 4,131,002 A 12/1978 Gianelo
- 4,312,203 A 1/1982 Davis
- 4,320,642 A 3/1982 Pastva, Jr.
- 4,370,874 A 2/1983 Munn

- 4,420,954 A 12/1983 Hieronymi et al.
- 4,438,964 A 3/1984 Peters
- 4,634,161 A 1/1987 Fukasawa et al.
- 4,706,478 A 11/1987 Swan et al.
- 4,707,006 A 11/1987 Garg et al.
- 4,838,054 A 6/1989 Weinerman et al.
- 4,838,056 A 6/1989 Weinerman et al.
- 4,841,755 A 6/1989 Weinerman et al.
- 4,850,208 A 7/1989 Weinerman et al.
- 4,850,209 A 7/1989 Weinerman et al.
- D303,617 S 9/1989 Russell et al.
- D303,618 S 9/1989 Russell et al.
- D303,619 S 9/1989 Russell et al.
- D303,620 S 9/1989 Russell et al.
- D303,621 S 9/1989 Russell et al.
- D303,922 S 10/1989 Russell et al.
- D304,155 S 10/1989 Russell et al.
- 4,896,906 A 1/1990 Weinerman et al.
- 4,911,487 A 3/1990 Rachocki

(List continued on next page.)

Primary Examiner—Paula A. Greene

(74) *Attorney, Agent, or Firm*—David A. Burge

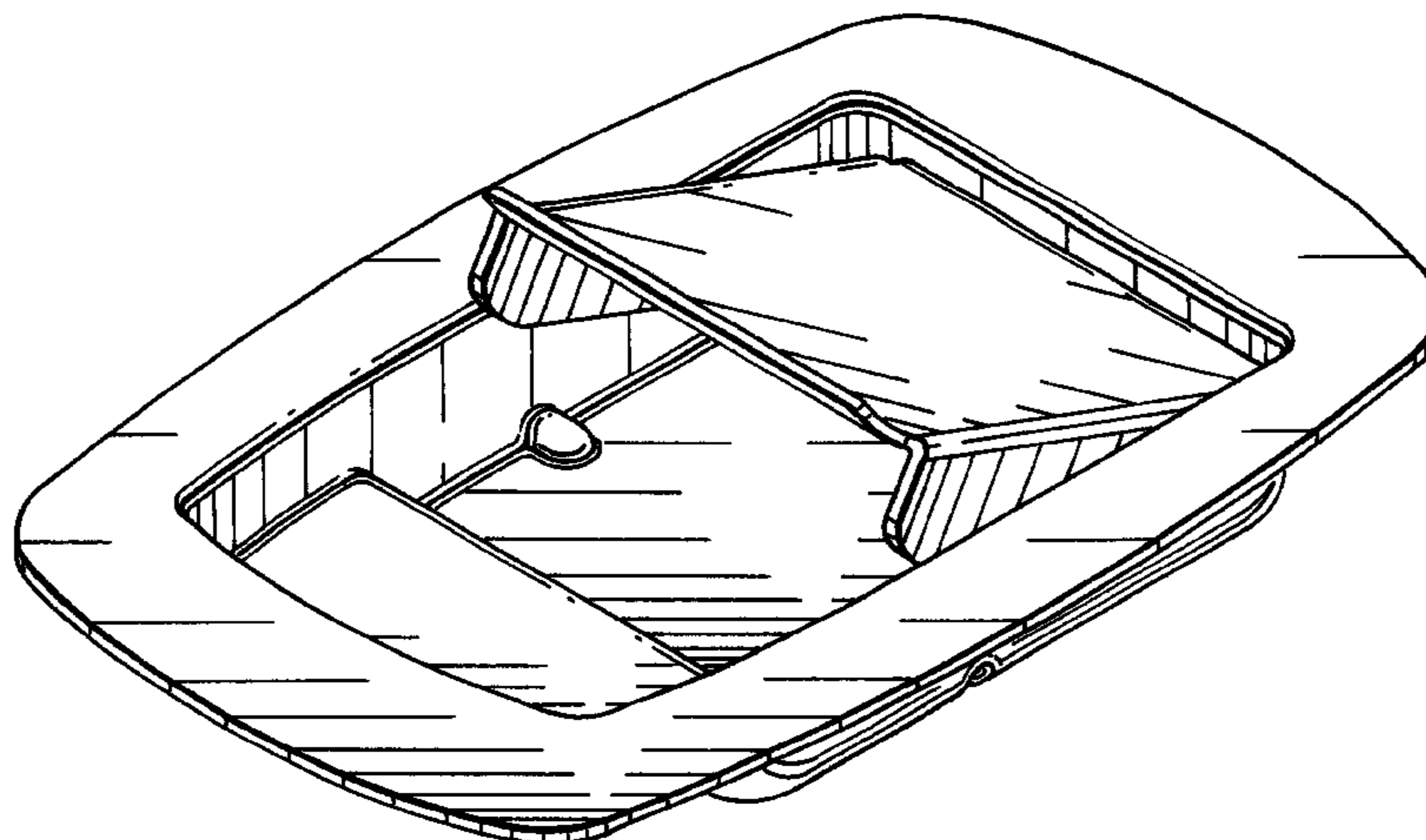
(57) **CLAIM**

We claim the ornamental design for combination of housing and paddle handle for latches and locks, as shown and described.

DESCRIPTION

FIG. 1 is a perspective view showing front portions of our new design;
FIG. 2 is a perspective view showing rear portions thereof;
FIG. 3 is a front side elevational view thereof;
FIG. 4 is a rear side elevational view thereof;
FIG. 5 is a bottom view thereof, it being understood that a top view would be a mirror image reversal of this view;
FIG. 6 is a left end view thereof;
FIG. 7 is a right end view thereof; and,
FIG. 8 is a perspective view showing the handle extended relative to the housing by being pivoted to an operated position.

1 Claim, 4 Drawing Sheets



US D498,405 S

Page 2

U.S. PATENT DOCUMENTS		
4,917,412 A	4/1990	Swan et al.
4,951,486 A	8/1990	Braun et al.
4,969,916 A	11/1990	Weinerman et al.
D314,131 S	1/1991	Russell et al.
4,989,907 A	2/1991	Edmonds et al.
5,042,853 A	8/1991	Gleason et al.
5,046,340 A	9/1991	Weinerman et al.
5,058,937 A	10/1991	Miehe et al.
5,069,491 A	12/1991	Weinerman et al.
D323,776 S	2/1992	Hansen
D328,231 S	7/1992	Hansen
5,127,686 A	7/1992	Gleason et al.
D339,050 S	9/1993	Gleason et al.
5,299,844 A	4/1994	Gleason
D346,731 S	5/1994	Larsen et al.
5,413,391 A	5/1995	Clavin et al.
5,439,260 A	8/1995	Weinerman
5,484,178 A	1/1996	Sandhu et al.
D369,084 S	4/1996	McConnell et al.
D369,089 S	4/1996	Zenner
5,526,660 A	6/1996	Bennett et al.
D371,500 S	7/1996	McConnell et al.
D373,298 S	9/1996	Miehe et al.
5,564,295 A	10/1996	Weinerman et al.
5,586,458 A	12/1996	Weinerman et al.
5,606,882 A	3/1997	Larsen et al.
5,611,224 A	3/1997	Weinerman et al.
D383,664 S	9/1997	Bennett
D390,086 S	2/1998	Weinerman et al.
D394,373 S	5/1998	Weinerman et al.
5,820,174 A	10/1998	Parikh et al.
5,820,175 A	10/1998	Clavin
5,884,948 A	3/1999	Weinerman et al.
D410,424 S	6/1999	Hansen
D410,609 S	6/1999	Hansen
5,927,772 A	7/1999	Antonucci et al.
5,927,773 A	7/1999	Larsen et al.
5,941,104 A	8/1999	Sadler
5,983,682 A	11/1999	Parikh
5,984,383 A	11/1999	Parikh et al.
5,987,943 A	11/1999	Verga et al.
5,992,908 A	11/1999	Yared et al.
D417,555 S	12/1999	Yared et al.
D419,421 S	1/2000	Larsen et al.
6,023,953 A	2/2000	Vickers et al.
6,145,352 A	11/2000	Vickers et al.
D460,680 S	* 7/2002	Weinerman et al. D8/353
D465,399 S	* 11/2002	Weinerman et al. D8/302

* cited by examiner

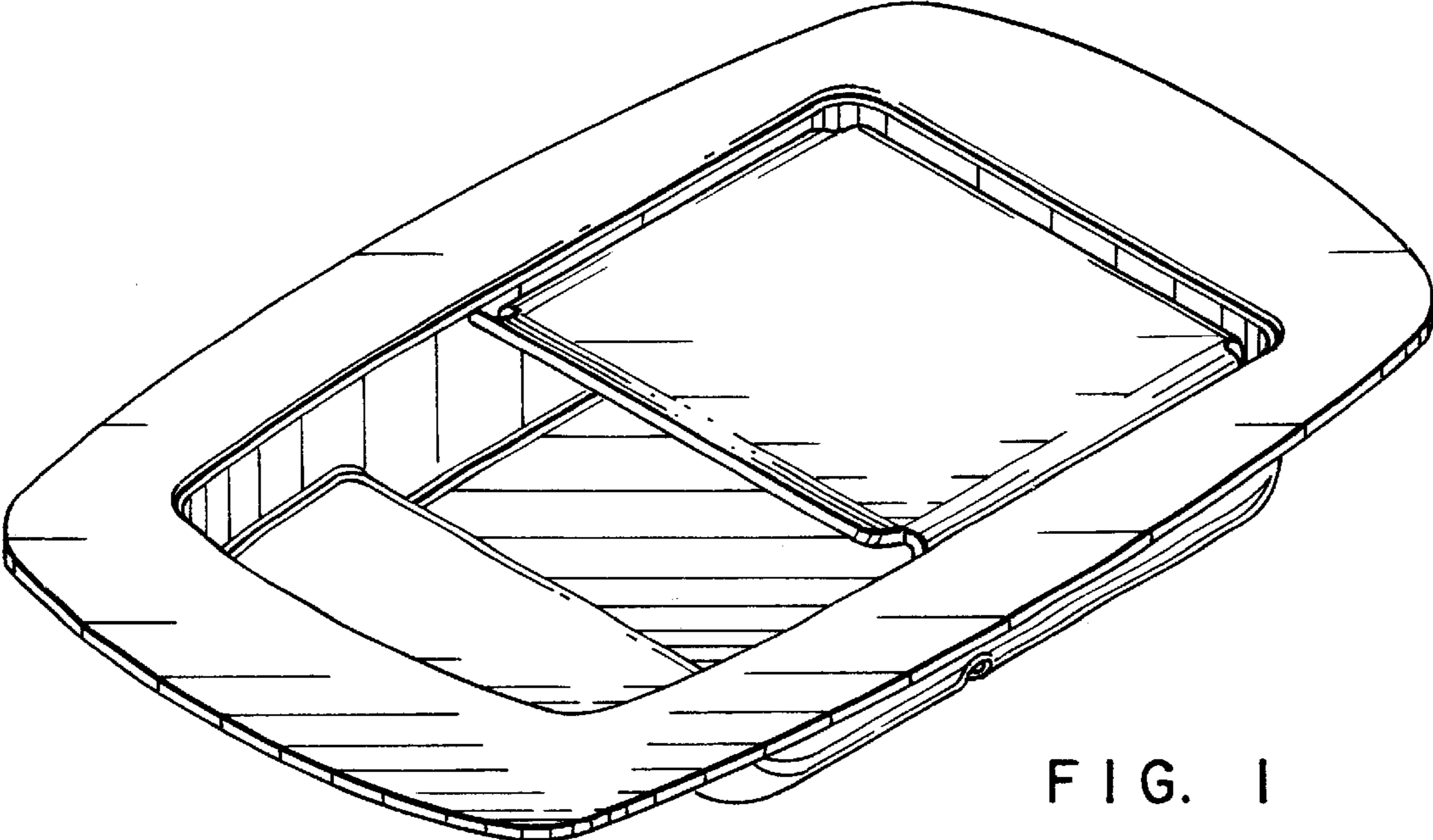


FIG. 1

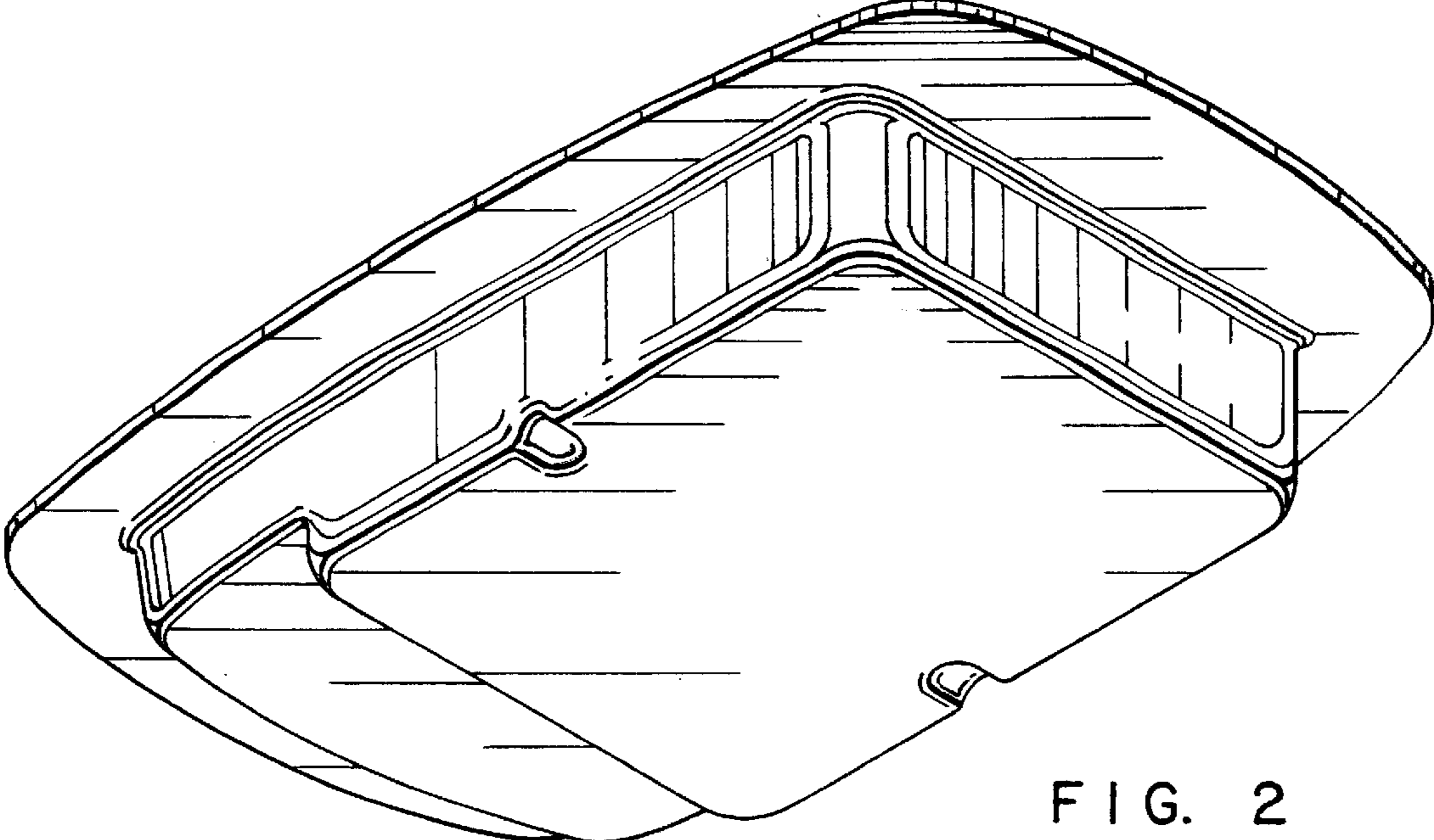


FIG. 2

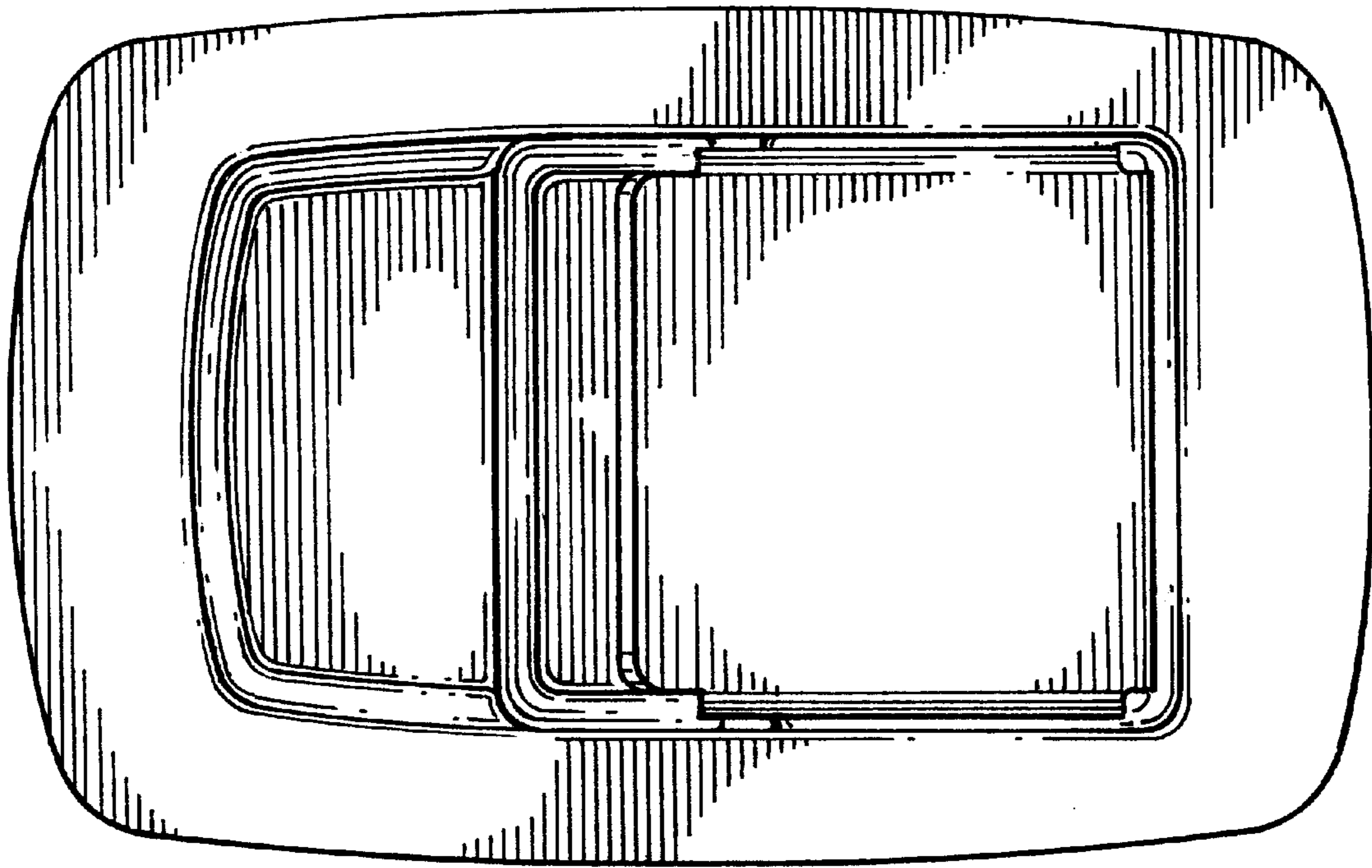


FIG. 3

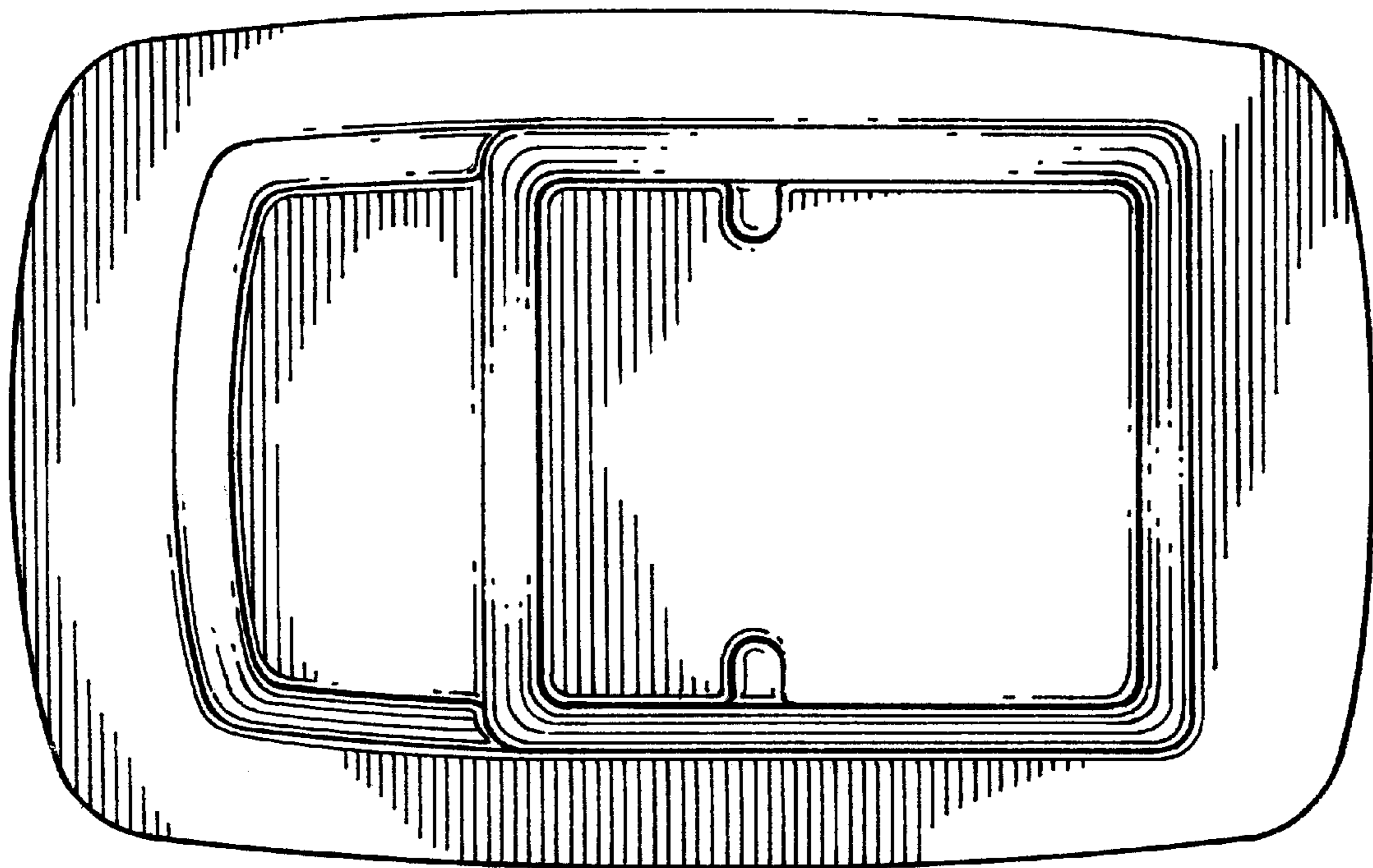


FIG. 4

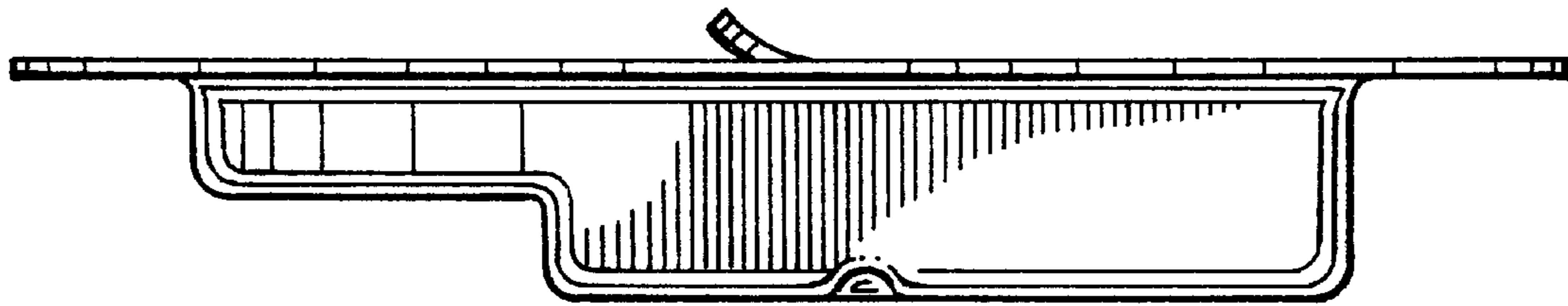


FIG. 5

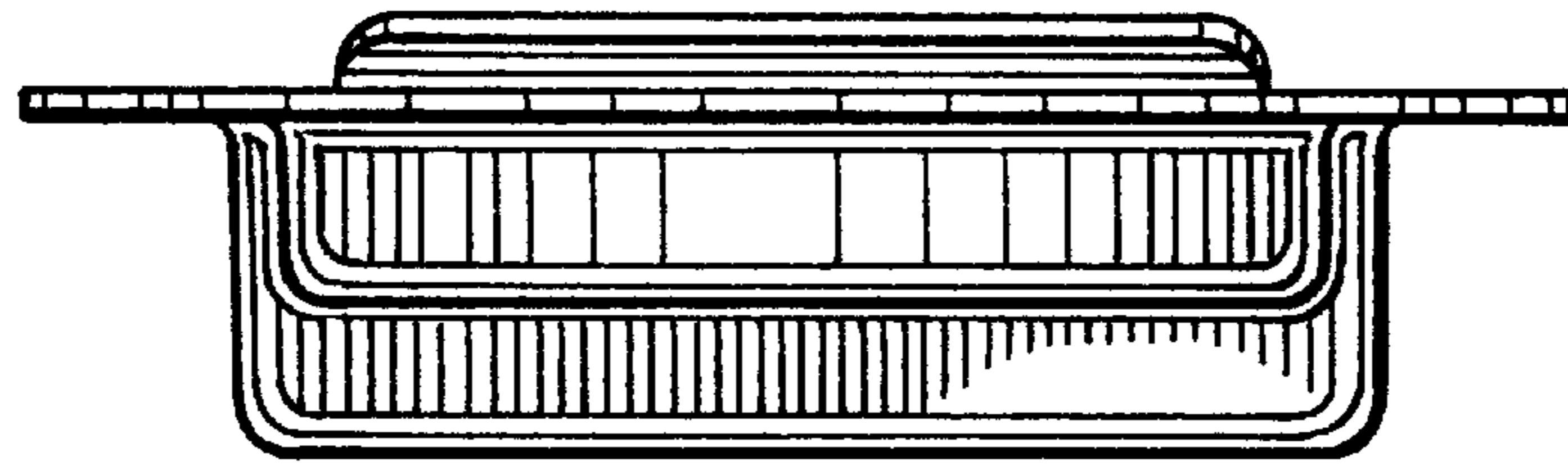


FIG. 6

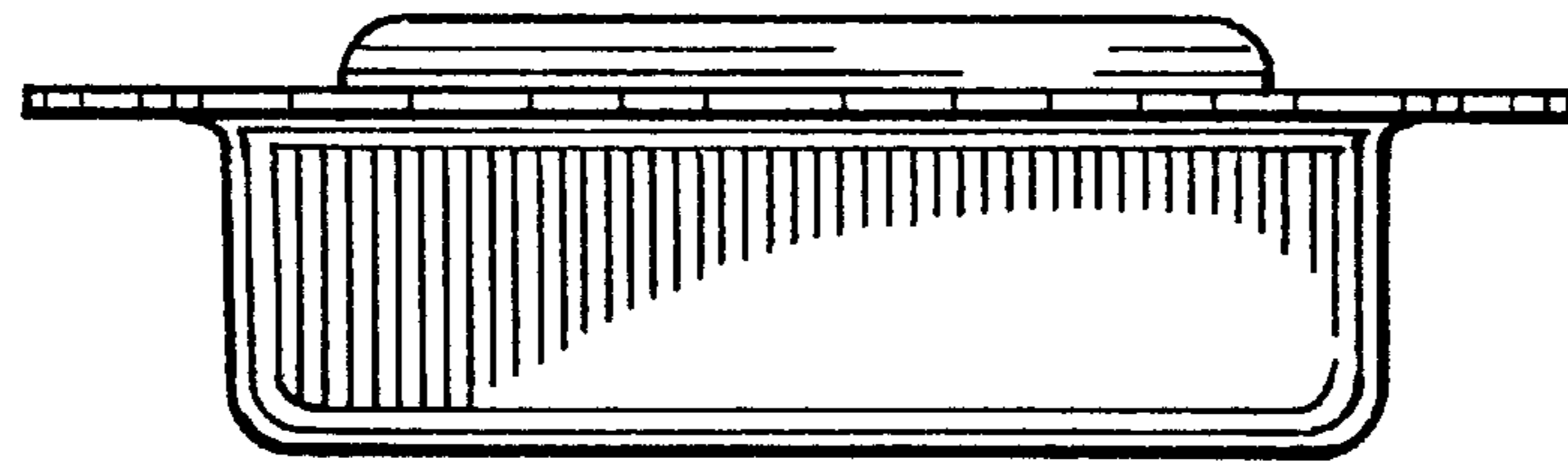


FIG. 7

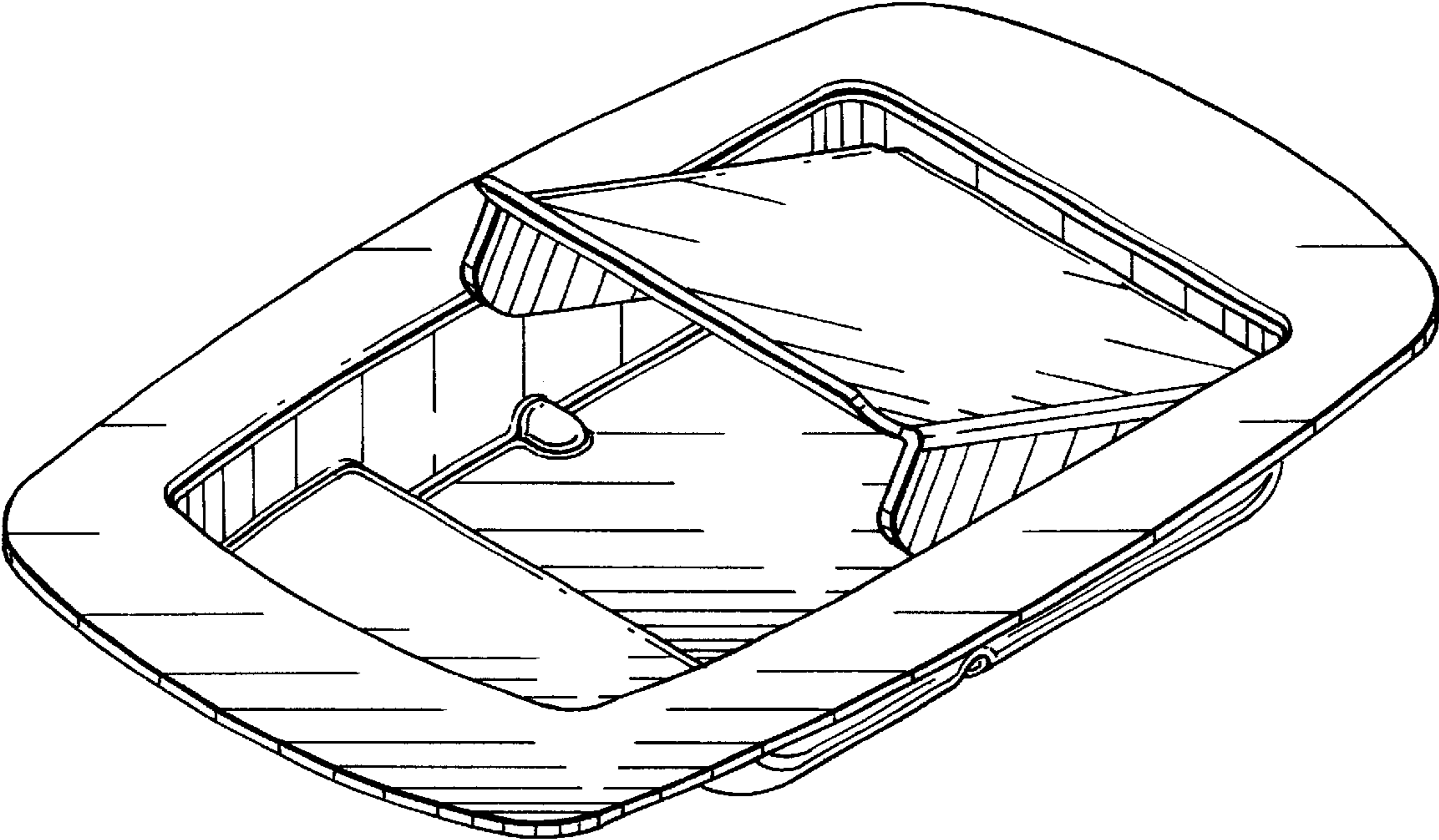


FIG. 8