



US00D498403S

(12) **United States Design Patent** (10) **Patent No.:** **US D498,403 S**
Singh (45) **Date of Patent:** **** Nov. 16, 2004**

(54) **SCREW GUIDE**

(75) Inventor: **Satnam Singh**, Ontario (CA)

(73) Assignee: **Maxtech Manufacturing Inc.**,
Waterloo (CA)

(**) Term: **14 Years**

(21) Appl. No.: **29/166,841**

(22) Filed: **Sep. 4, 2002**

(30) **Foreign Application Priority Data**

Mar. 4, 2002 (CA) 98829

(51) **LOC (7) Cl.** **08-02**

(52) **U.S. Cl.** **D8/86**

(58) **Field of Search** D8/14, 29, 82,
D8/83, 85, 86, 87; 81/177.2, 177.1, 180.1,
437, 438, 439, 177.6

(56) **References Cited**

U.S. PATENT DOCUMENTS

D341,763 S * 11/1993 Espin D8/86

(List continued on next page.)

Primary Examiner—Philip S. Hyder

(74) *Attorney, Agent, or Firm*—Dennis G. LaPointe; Mason
Law, P.L.

(57) **CLAIM**

I claim the ornamental design for screw guide, as shown and
described.

DESCRIPTION

FIG. 1 is an elevated side view of a first embodiment of the
screw guide, with the sleeve retracted and seen from a first
end.

FIG. 2 is an elevated side view of the first embodiment of the
screw guide, with the sleeve retracted and seen from a
second end.

FIG. 3 is a plan side view of the first embodiment of the
screw guide, with the sleeve retracted.

FIG. 4 is a further plan side view of the first embodiment of
the screw guide, with the sleeve retracted.

FIG. 5 is a plan end view of the first embodiment of the tool
case, with the sleeve retracted, seen from the second end.

FIG. 6 is a plan end view of the first embodiment of the tool
case, with the sleeve retracted, seen from the first end.

FIG. 7 is a plan side view of the first embodiment of the tool
case, with the sleeve extended.

FIG. 8 is an elevated side view of a second embodiment of
the screw guide, with the sleeve retracted and seen from a
first end.

FIG. 9 is an elevated side view of the second embodiment
of the screw guide, with the sleeve retracted and seen from
a second end.

FIG. 10 is a plan side view of the second embodiment of the
screw guide, with the sleeve retracted.

FIG. 11 is a further plan side view of the second embodiment
of the screw guide, with the sleeve retracted.

FIG. 12 is a plan end view of the second embodiment of the
tool case, with the sleeve retracted, seen from the second
end.

FIG. 13 is a plan end view of the second embodiment of the
tool case, with the sleeve retracted, seen from the first end.

FIG. 14 is a plan side view of the second embodiment of the
tool case, with the sleeve extended.

FIG. 15 is an elevated side view of a third embodiment of
the screw guide, with the sleeve retracted and seen from a
first end.

FIG. 16 is an elevated side view of the third embodiment of
the screw guide, with the sleeve retracted and seen from a
second end.

FIG. 17 is a plan side view of the third embodiment of the
screw guide, with the sleeve retracted.

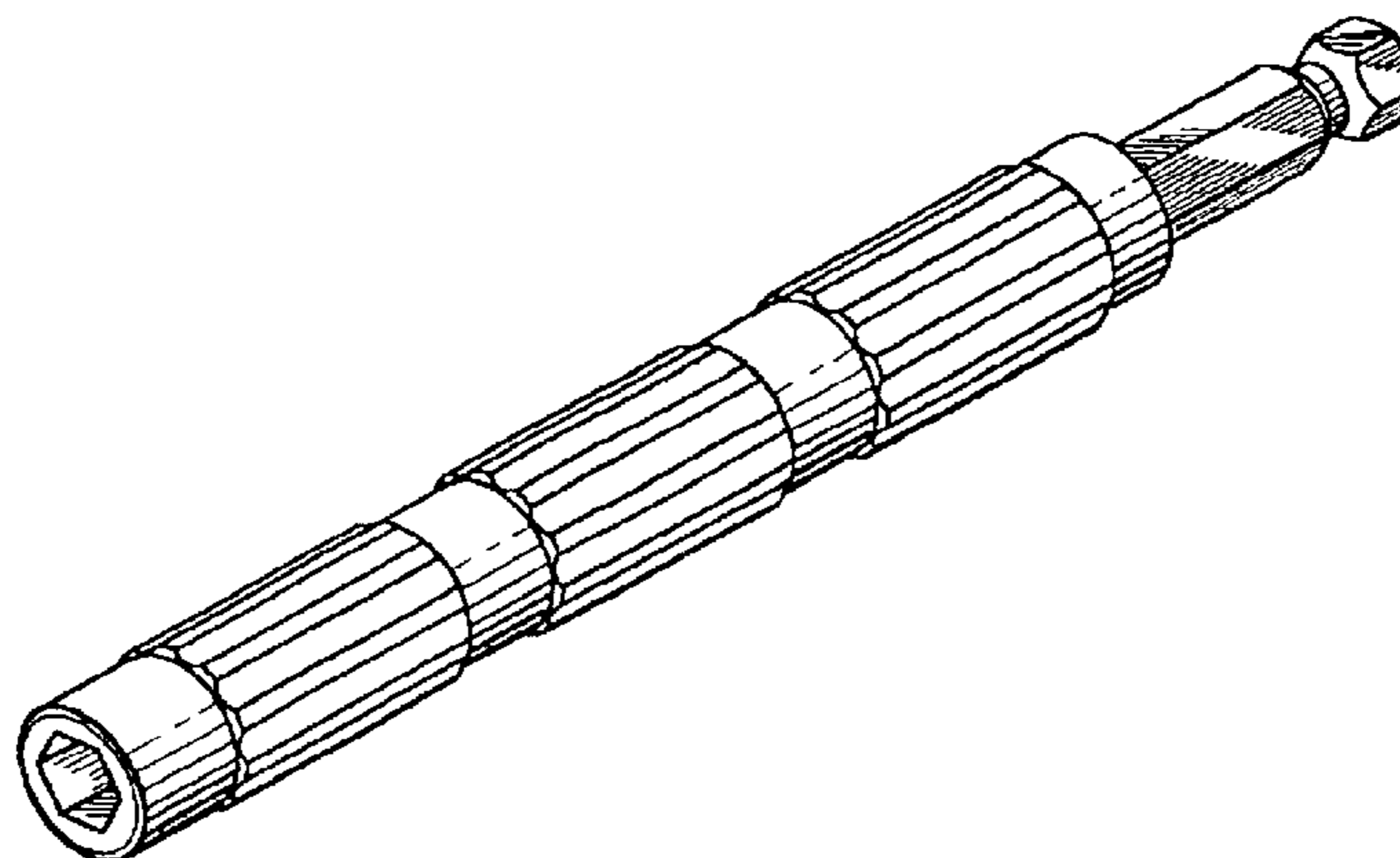
FIG. 18 is a further plan side view of the third embodiment
of the screw guide, with the sleeve retracted.

FIG. 19 is a plan end view of the third embodiment of the
tool case, with the sleeve retracted, seen from the second
end.

FIG. 20 is a plan end view of the third embodiment of the
tool case, with the sleeve retracted, seen from the first end;
and,

FIG. 21 is a plan side view of the third embodiment of the
tool case, with the sleeve extended.

1 Claim, 9 Drawing Sheets



US D498,403 S

Page 2

U.S. PATENT DOCUMENTS

5,680,800 A	*	10/1997	Sharpe	81/177.2	6,260,445 B1	*	7/2001	DeVecchis et al.	81/438
5,697,269 A	*	12/1997	Tseng	81/177.6	6,282,998 B1	*	9/2001	Beach	81/437
5,938,212 A	*	8/1999	Wadsworth	81/438	6,354,177 B2	*	3/2002	Peters	81/439
5,950,507 A	*	9/1999	Wolfe	81/177.2	6,520,509 B1	*	2/2003	Vasudeva et al.	81/438

* cited by examiner

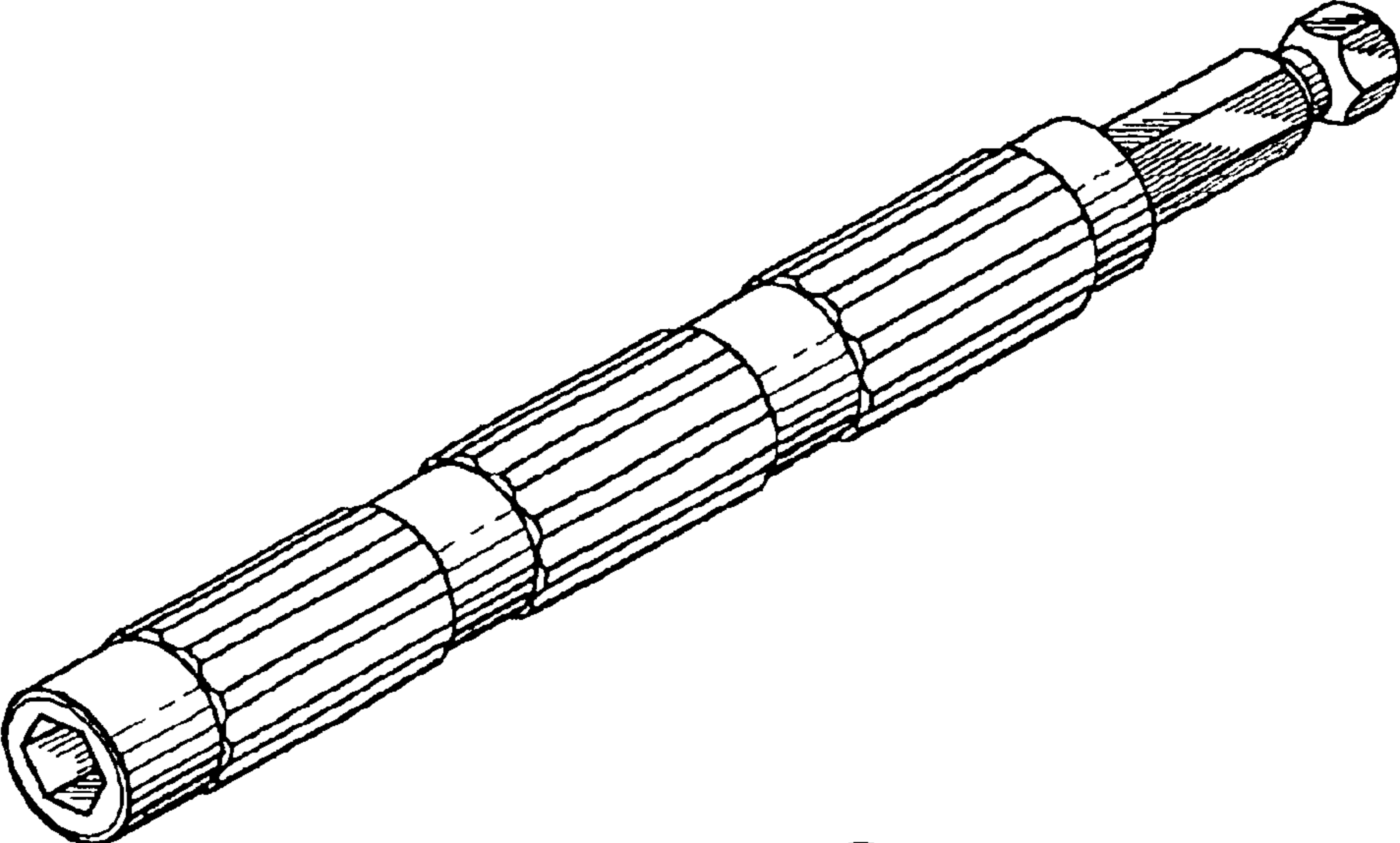


FIG. 1

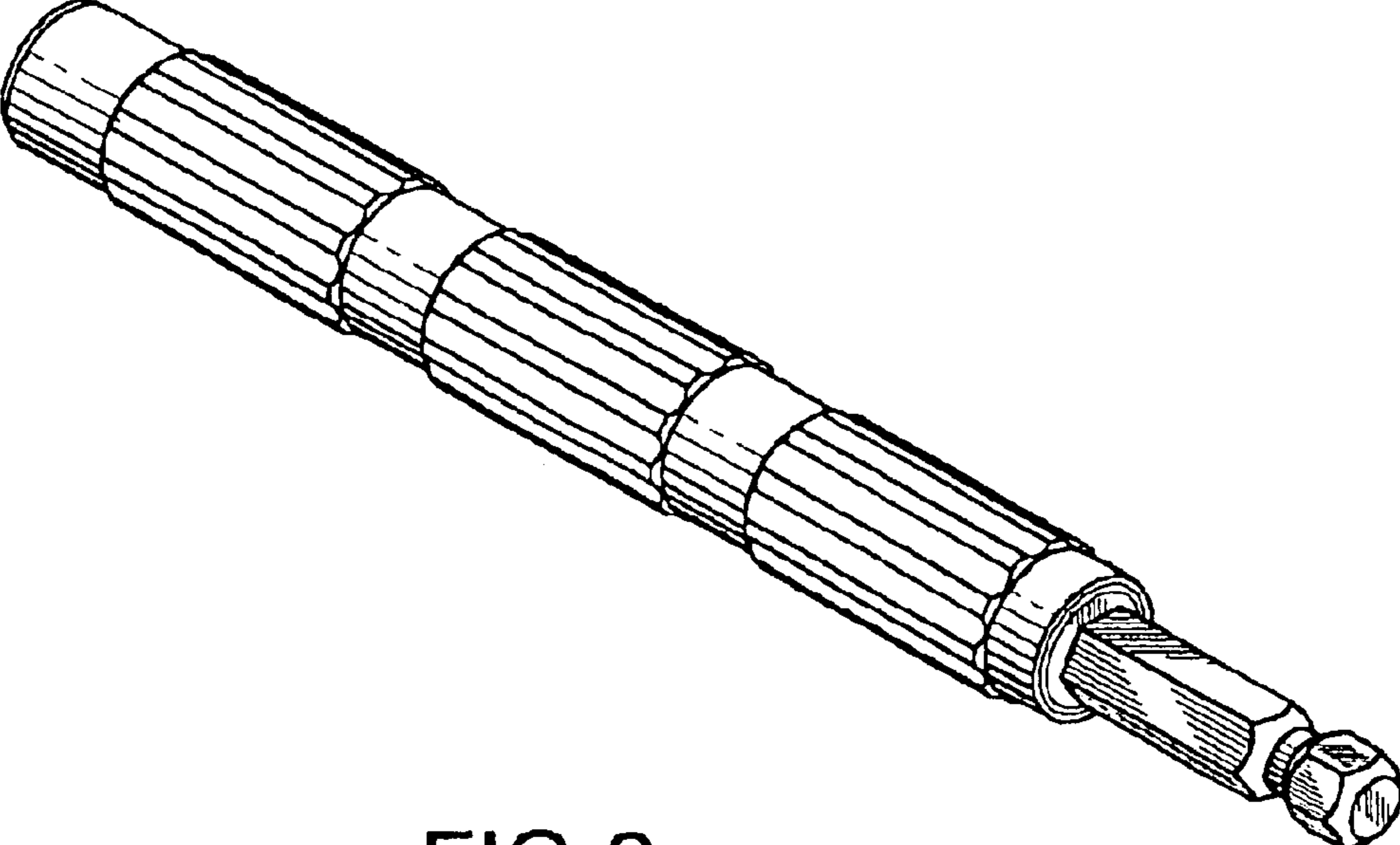


FIG. 2

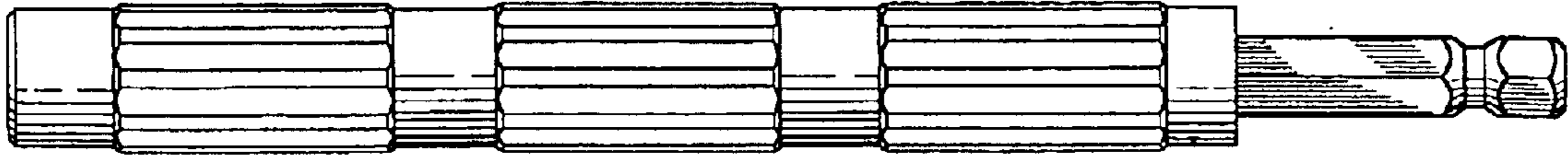


FIG.3

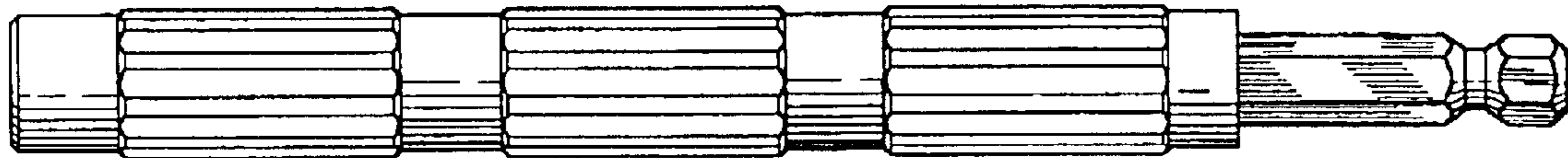


FIG.4



FIG.5



FIG.6

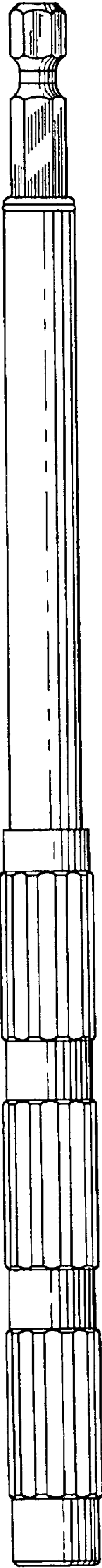


FIG.7

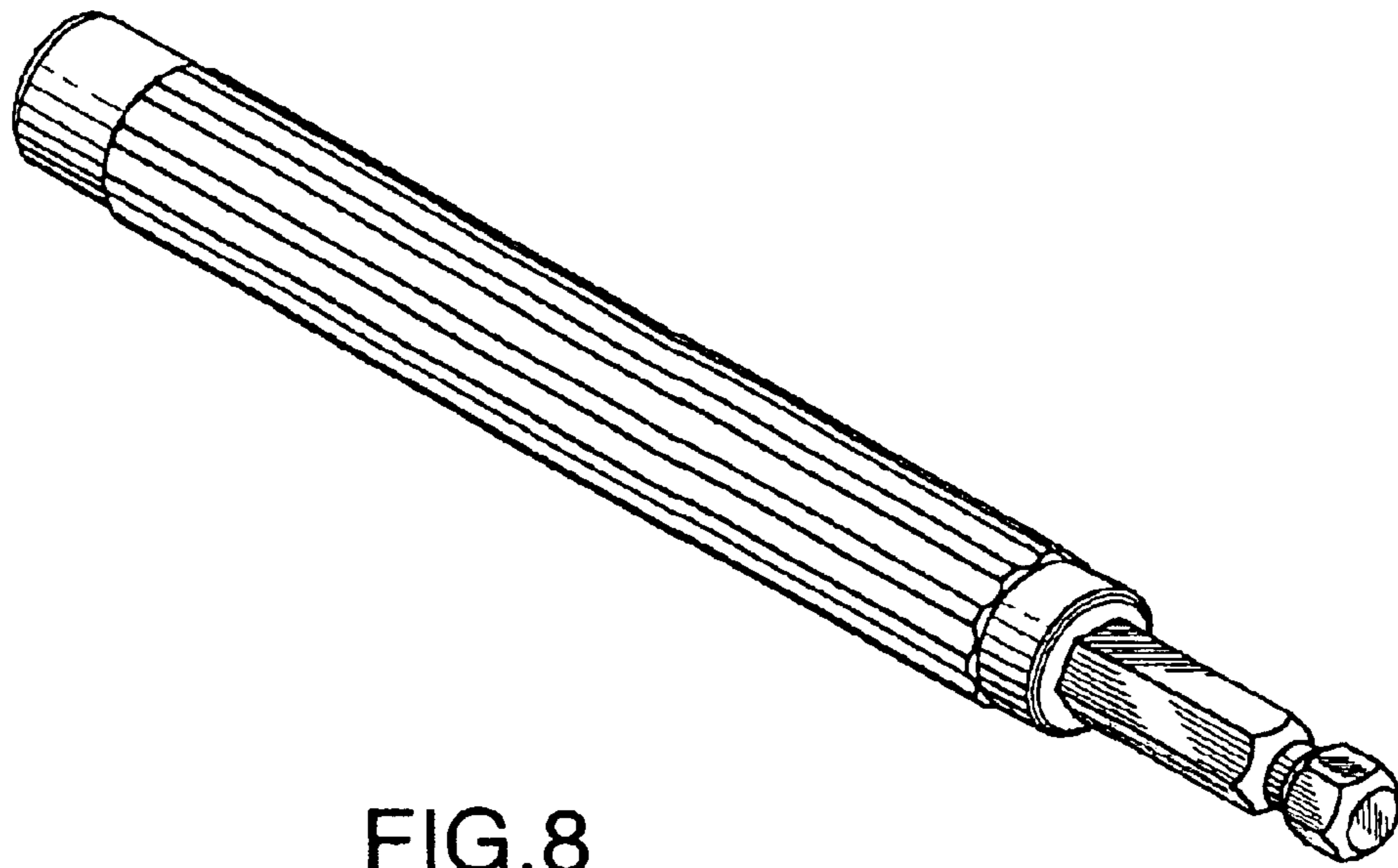


FIG. 8

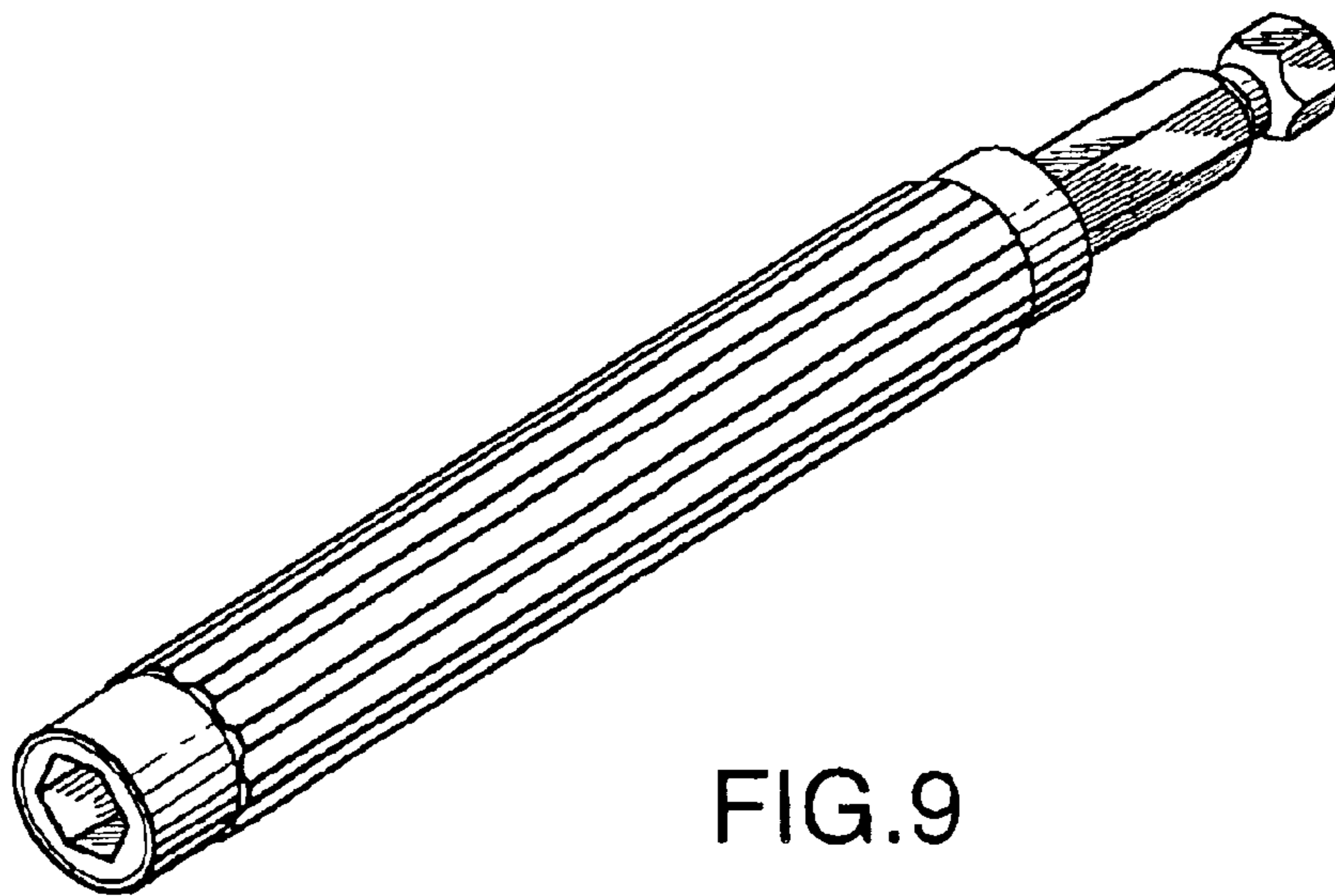


FIG. 9

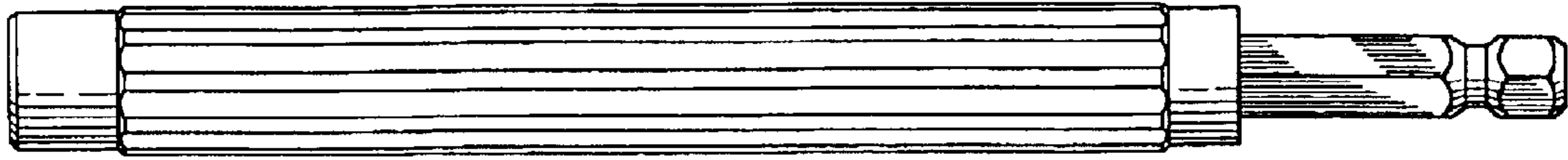


FIG. 10

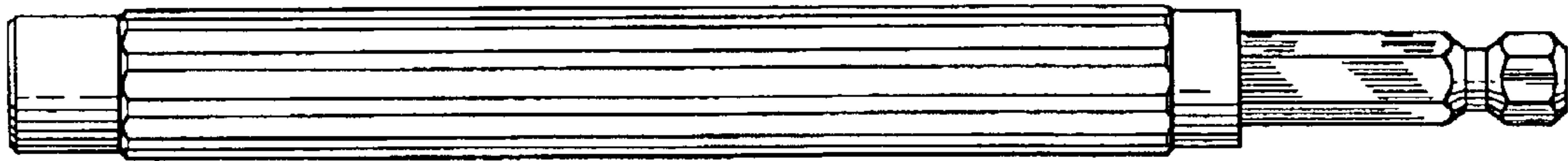


FIG. 11



FIG. 12



FIG. 13

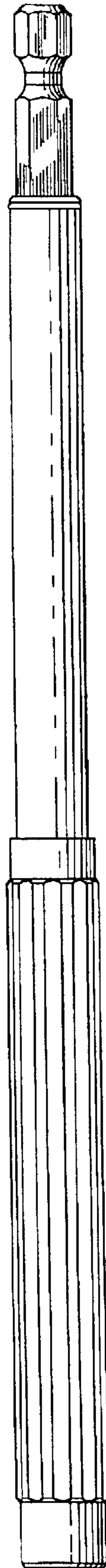


FIG.14

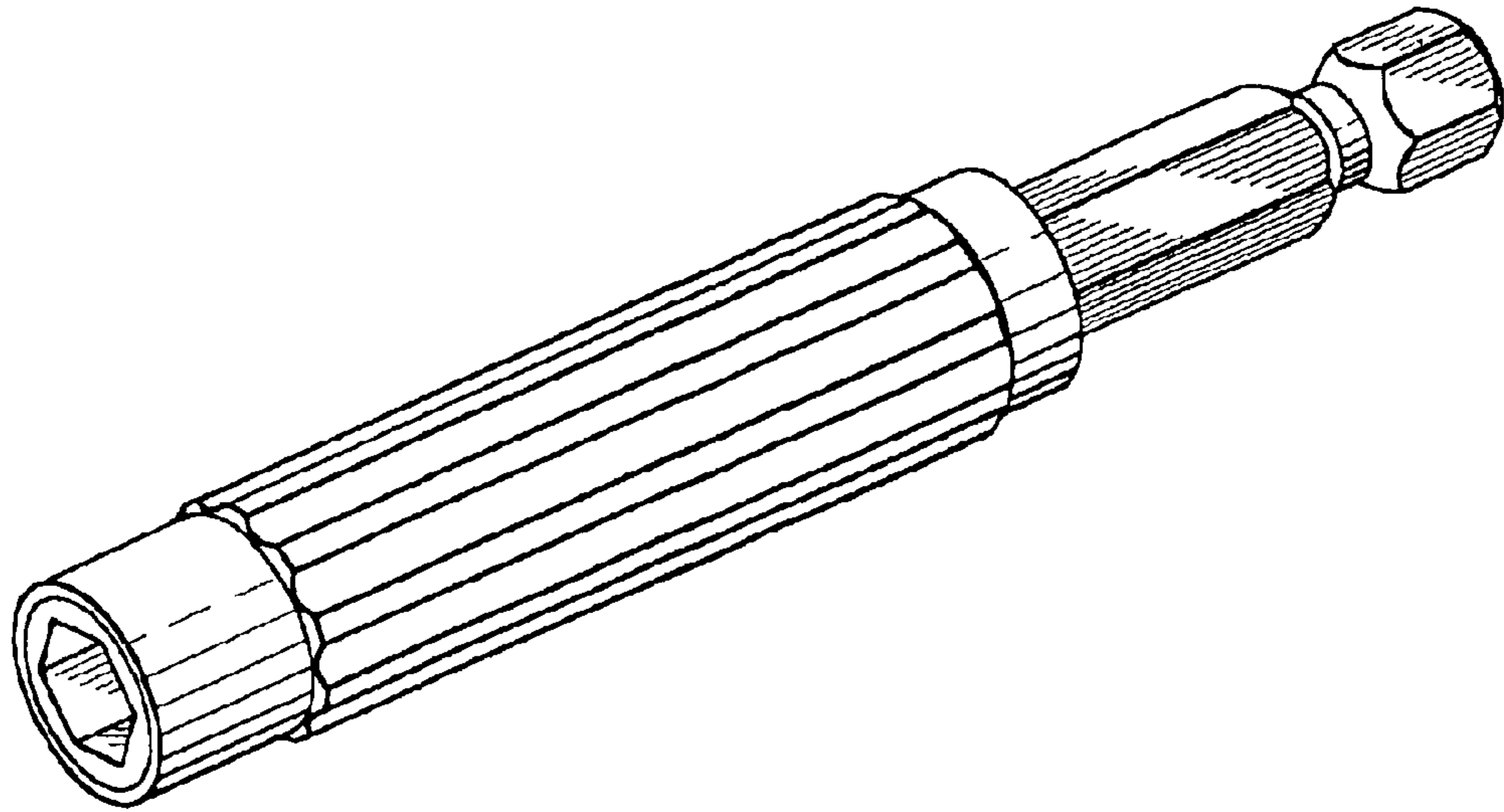


FIG. 15

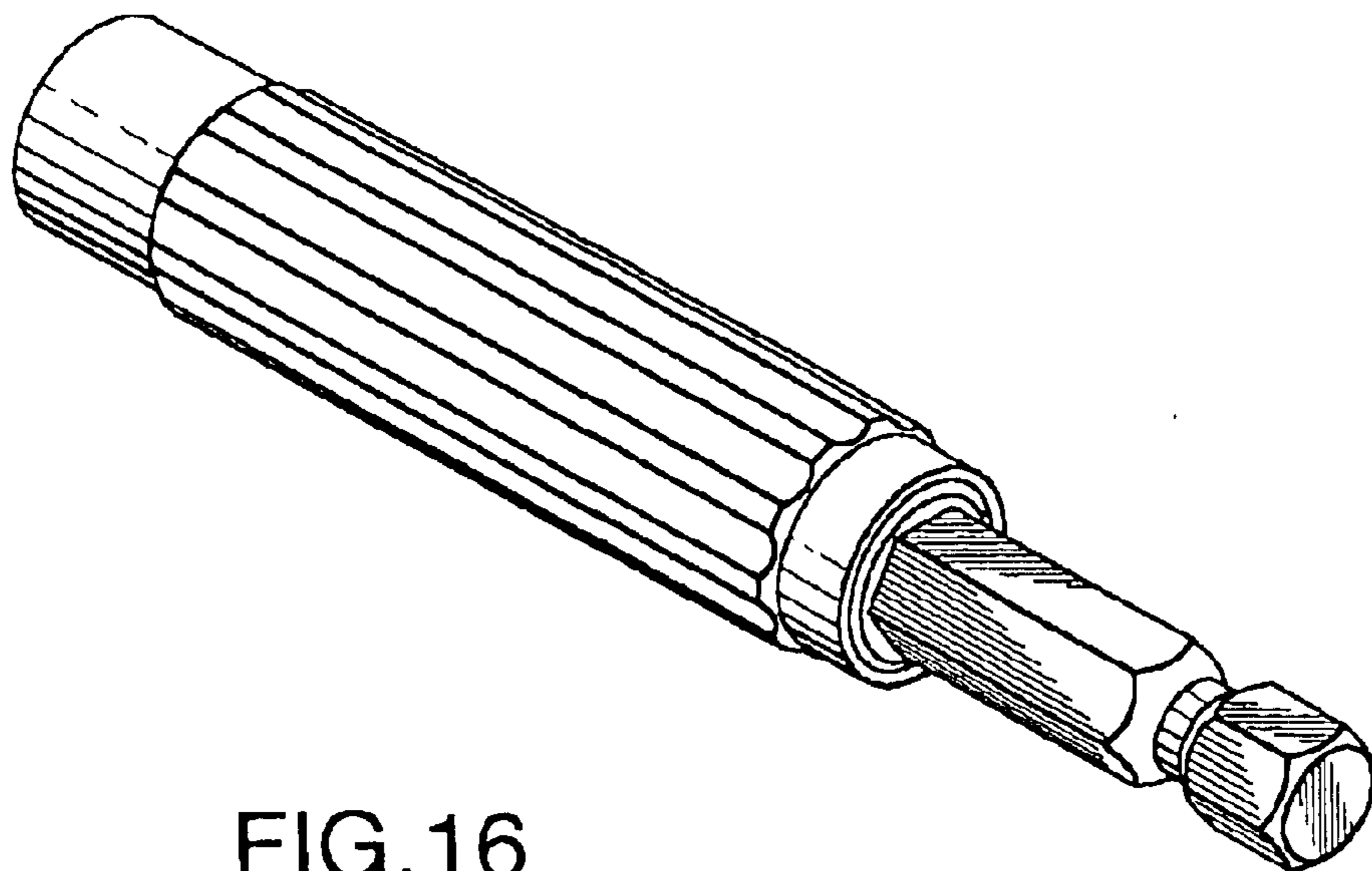


FIG. 16

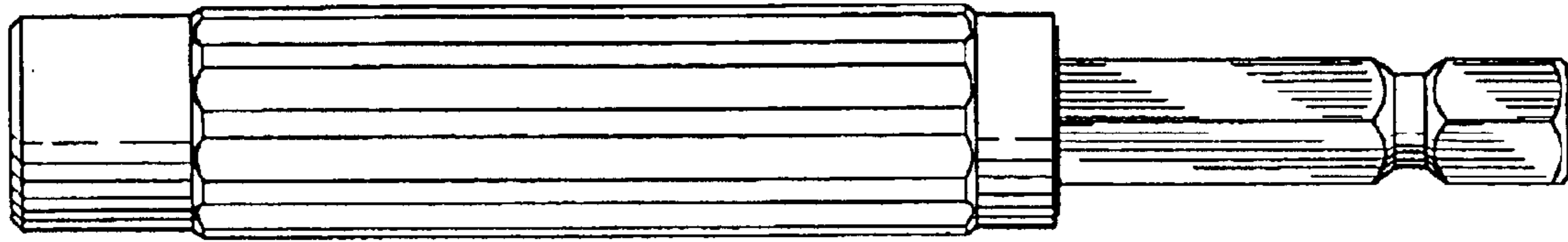


FIG.17

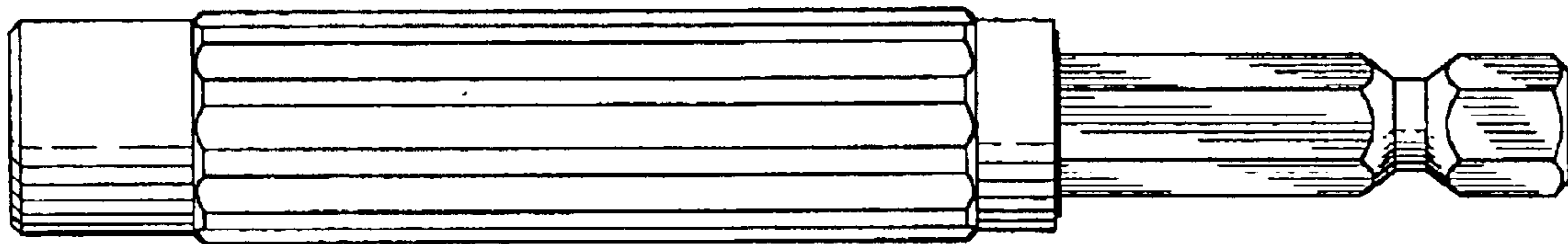


FIG.18

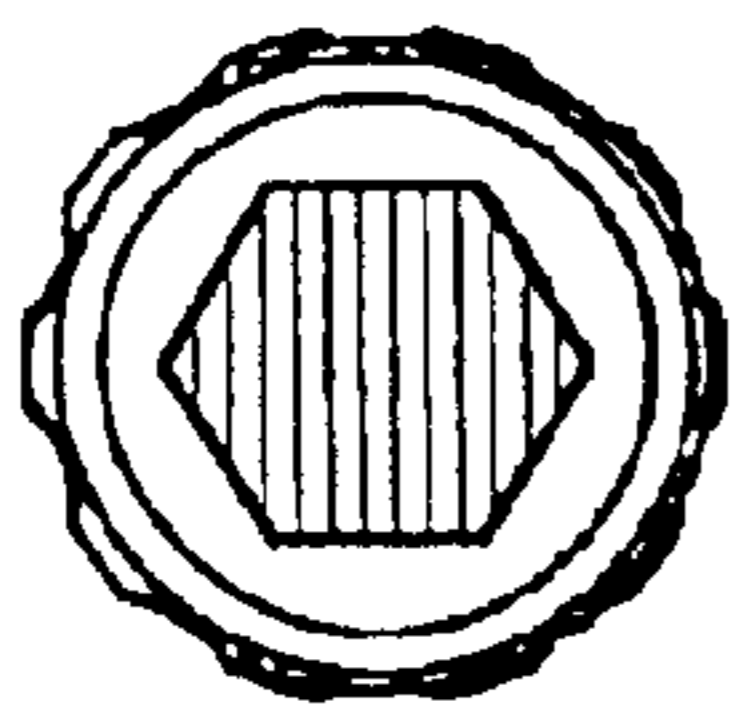


FIG.19

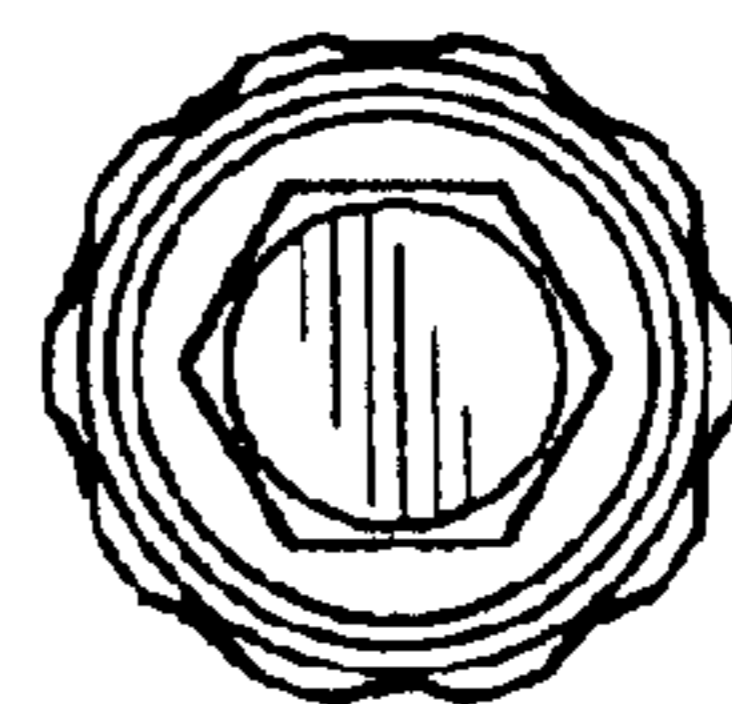


FIG.20

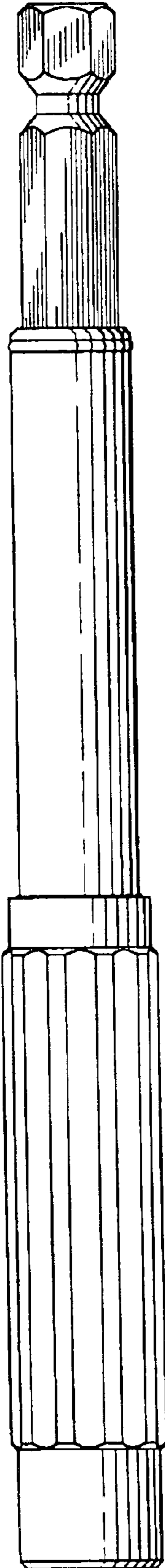


FIG.21