



US00D498400S

(12) **United States Design Patent**
Wu

(10) **Patent No.:** **US D498,400 S**

(45) **Date of Patent:** **** Nov. 16, 2004**

(54) **DRILL**

(75) **Inventor:** **Shuming Wu, Jiangsu (CN)**

(73) **Assignee:** **Chevron International Trading Co., Ltd., Jiangsu (CN)**

(**) **Term:** **14 Years**

(21) **Appl. No.:** **29/201,046**

(22) **Filed:** **Mar. 10, 2004**

(30) **Foreign Application Priority Data**

Sep. 10, 2003 (CN) 03347400

(51) **LOC (7) Cl.** **08-01**

(52) **U.S. Cl.** **D8/68**

(58) **Field of Search** D8/14.1, 61, 62,
D8/63, 64, 65, 66, 67, 68, 69, 70; 81/57.11,
429, 464, 465, 466, 469, 489; 173/13, 169,
178, 213, 217; 227/8, 114, 120, 130, 136,
142; 310/50; 408/20, 124, 125, 234, 241 R;
451/358

(56) **References Cited**

U.S. PATENT DOCUMENTS

D280,883 S	*	10/1985	Sakamoto et al.	D8/68
D316,021 S	*	4/1991	Bunyea	D8/68
5,089,729 A	*	2/1992	Moore, Jr.	310/50
D326,400 S	*	5/1992	Fushiya et al.	D8/68
D353,526 S	*	12/1994	Hoshino	D8/68
D396,395 S	*	7/1998	Zurwelle	D8/68
D400,415 S	*	11/1998	Zurwelle	D8/68
D400,416 S	*	11/1998	Zurwelle	D8/68
D403,565 S	*	1/1999	Chung	D8/68

D406,742 S	*	3/1999	Schoen et al.	D8/68
D426,125 S	*	6/2000	Hayakawa et al.	D8/61
D439,123 S	*	3/2001	Sakai et al.	D8/68
D441,268 S	*	5/2001	Heun	D8/68
D452,639 S	*	1/2002	Zurwelle	D8/68
D466,386 S	*	12/2002	Zurwelle	D8/68
D470,379 S	*	2/2003	Andriolo	D8/68
D470,737 S	*	2/2003	Chunn et al.	D8/68
6,536,537 B1	*	3/2003	Sasaki et al.	173/178
D482,254 S	*	11/2003	Tsuzuki et al.	D8/68
D486,049 S	*	2/2004	Sugiura et al.	D8/68
D490,677 S	*	6/2004	Chung et al.	D8/68
2003/0146008 A1	*	8/2003	Andriolo	173/217

* cited by examiner

Primary Examiner—Joel Sincavage

Assistant Examiner—T. Chase Nelson

(74) *Attorney, Agent, or Firm*—Lowe, Hauptman, Gilman & Berner, LLP

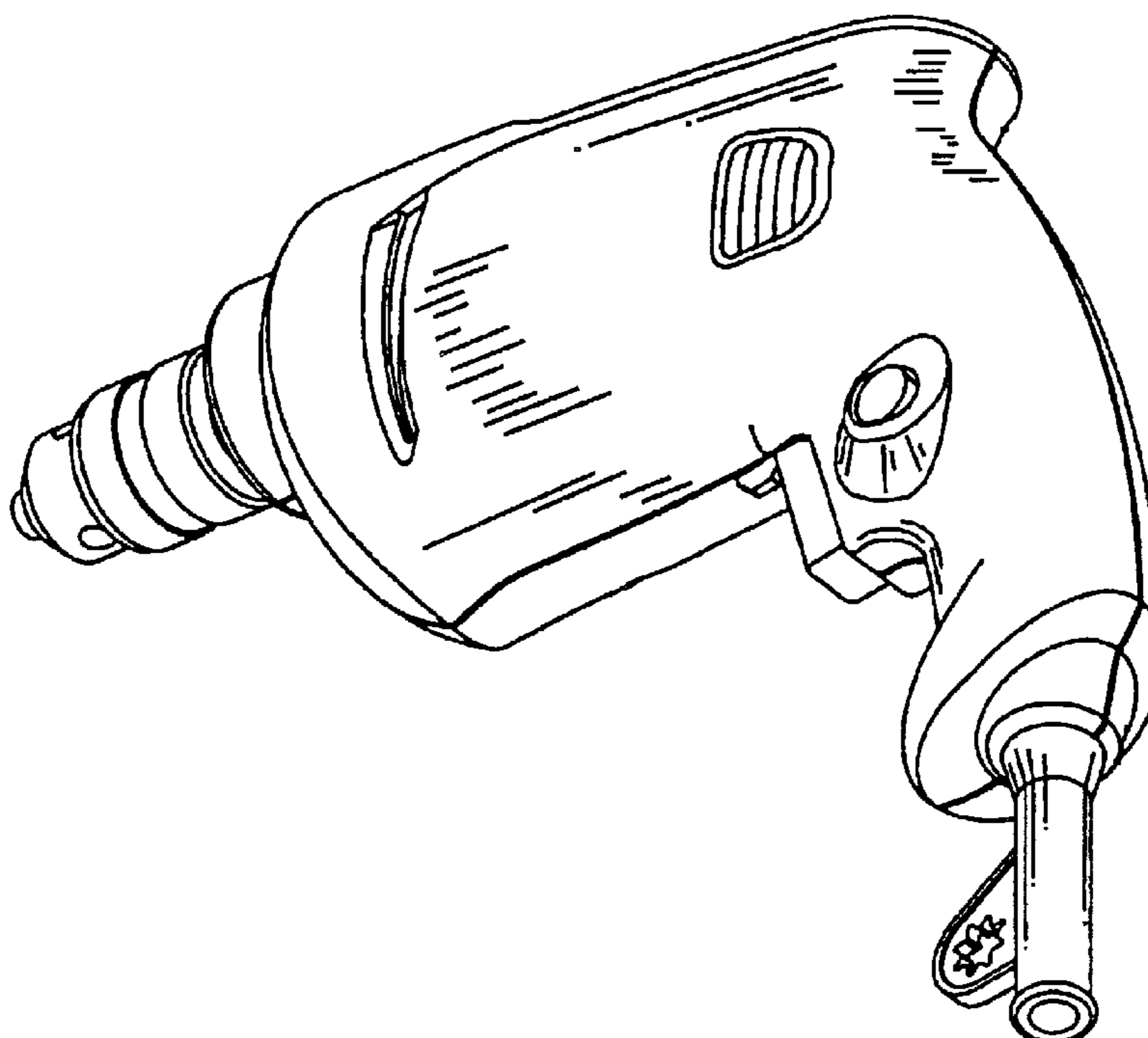
(57) **CLAIM**

The ornamental design for a drill, as shown.

DESCRIPTION

FIG. 1 is a front elevational view of the design;
FIG. 2 is a rear elevational view of the design of FIG. 1;
FIG. 3 is a bottom plan view of the design of FIG. 1;
FIG. 4 is a top plan view of the design of FIG. 1;
FIG. 5 is a left side elevational view of the design of FIG. 1;
FIG. 6 is a right side elevational view of the design of FIG. 1; and,
FIG. 7 is a front-bottom-right perspective view of the design of FIG. 1.

1 Claim, 7 Drawing Sheets



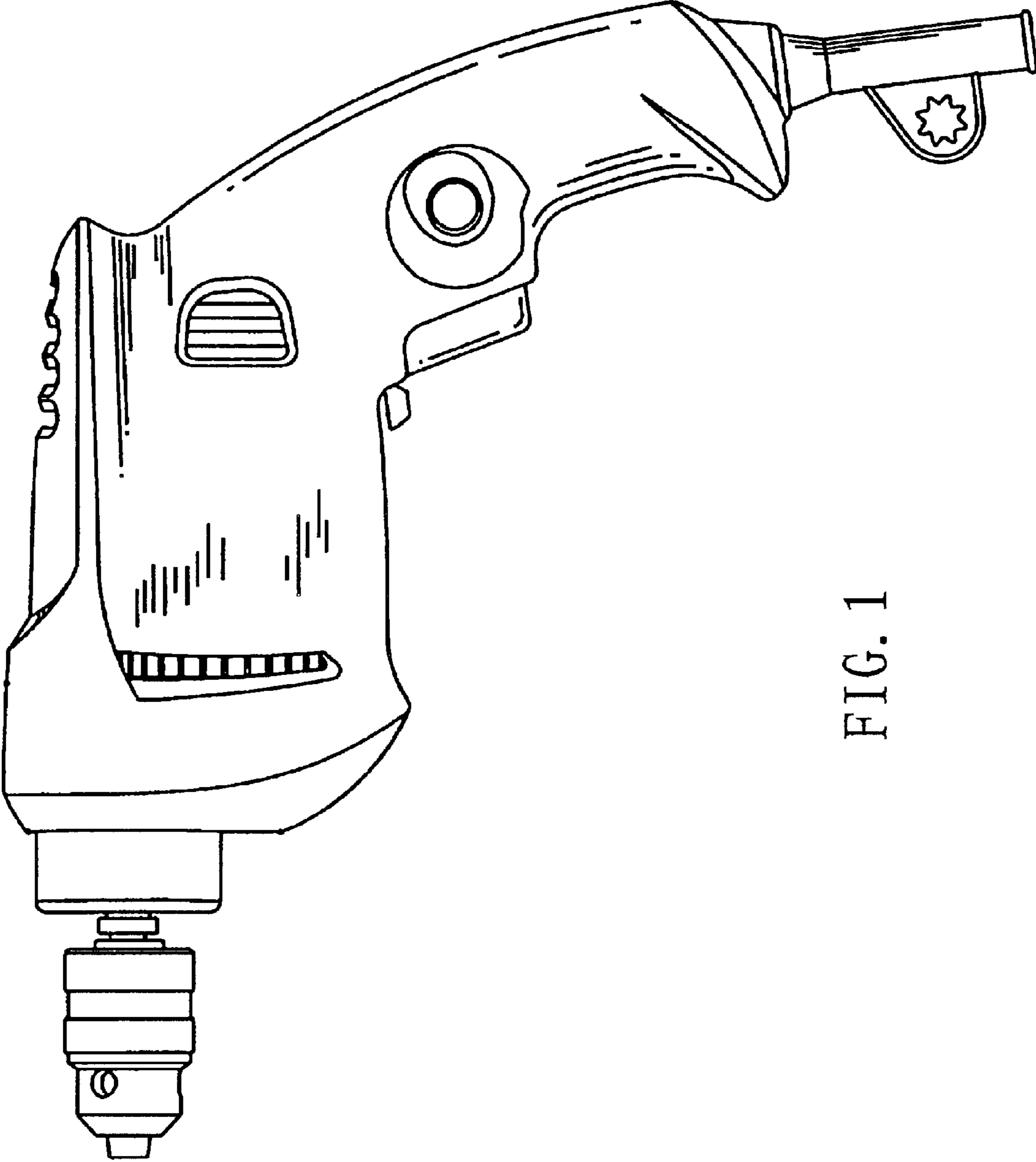


FIG. 1

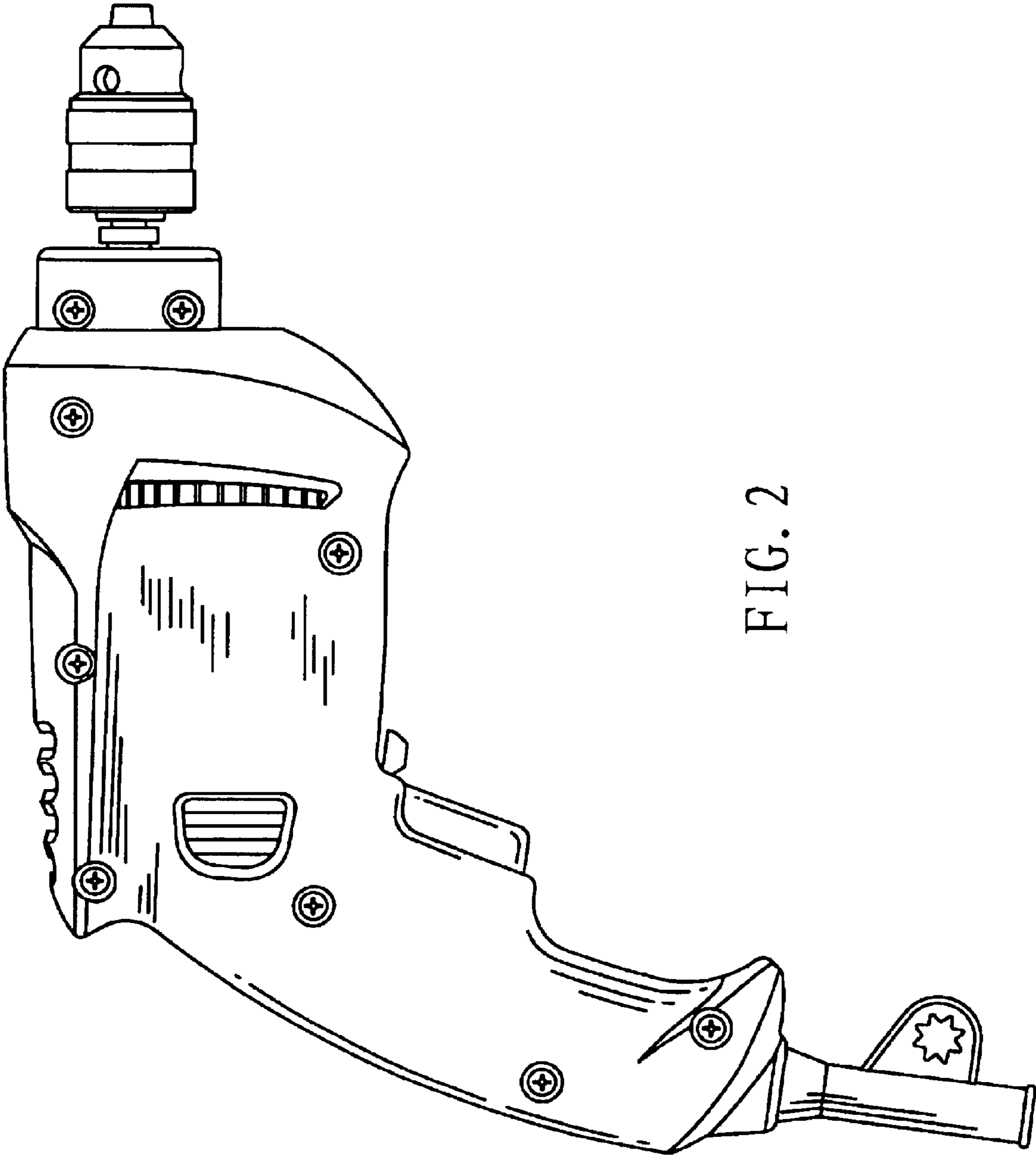


FIG. 2

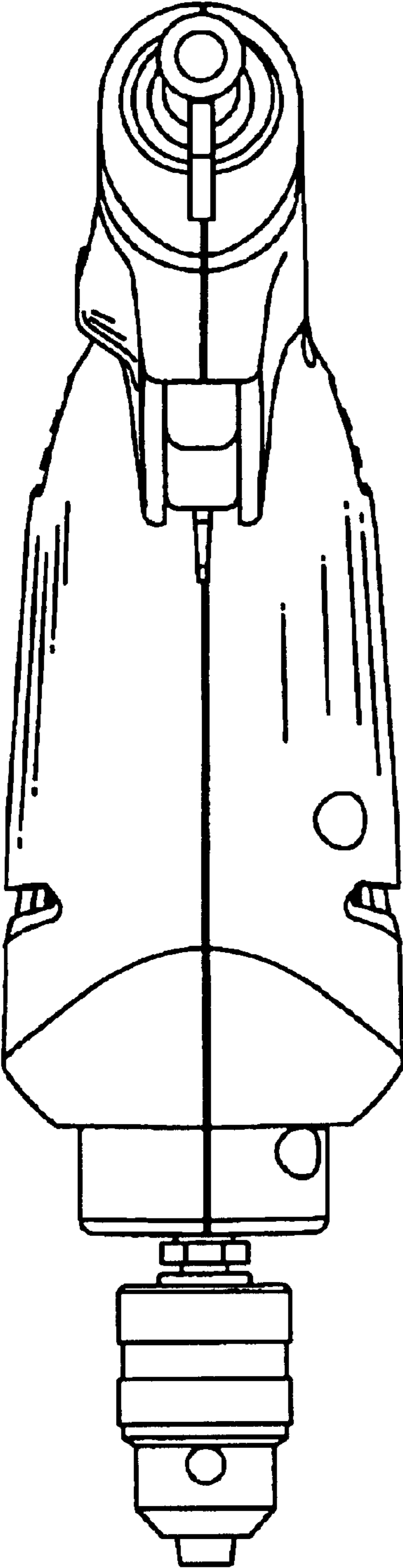


FIG. 3

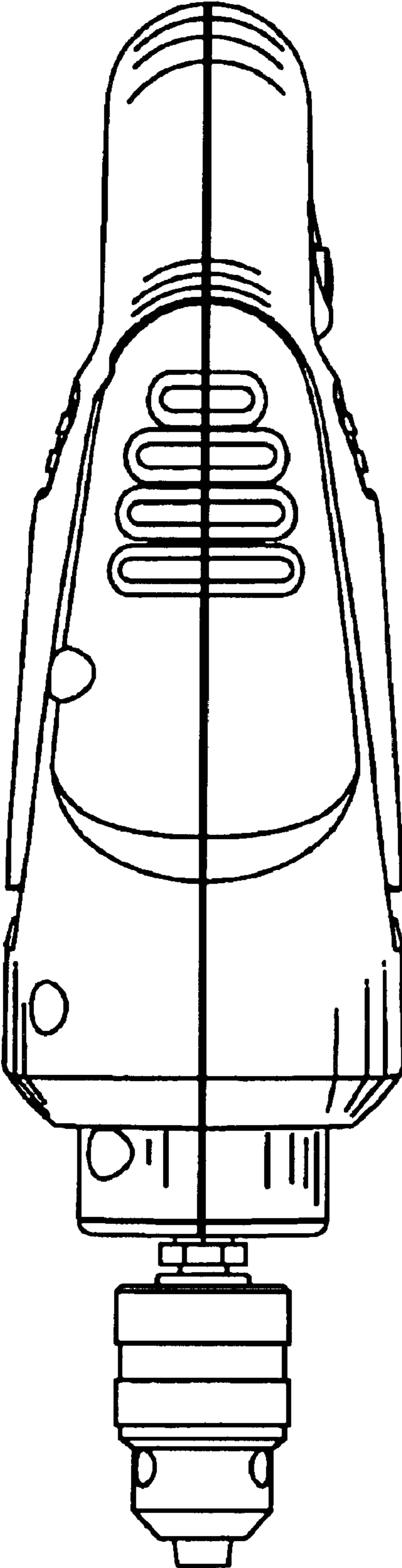


FIG. 4

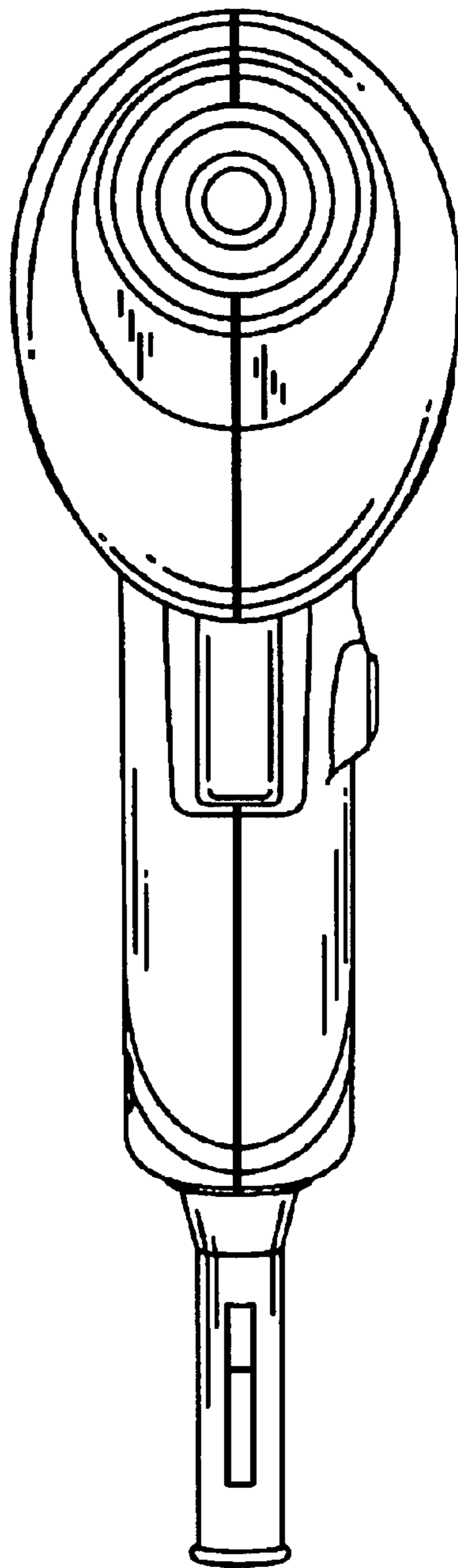


FIG. 5

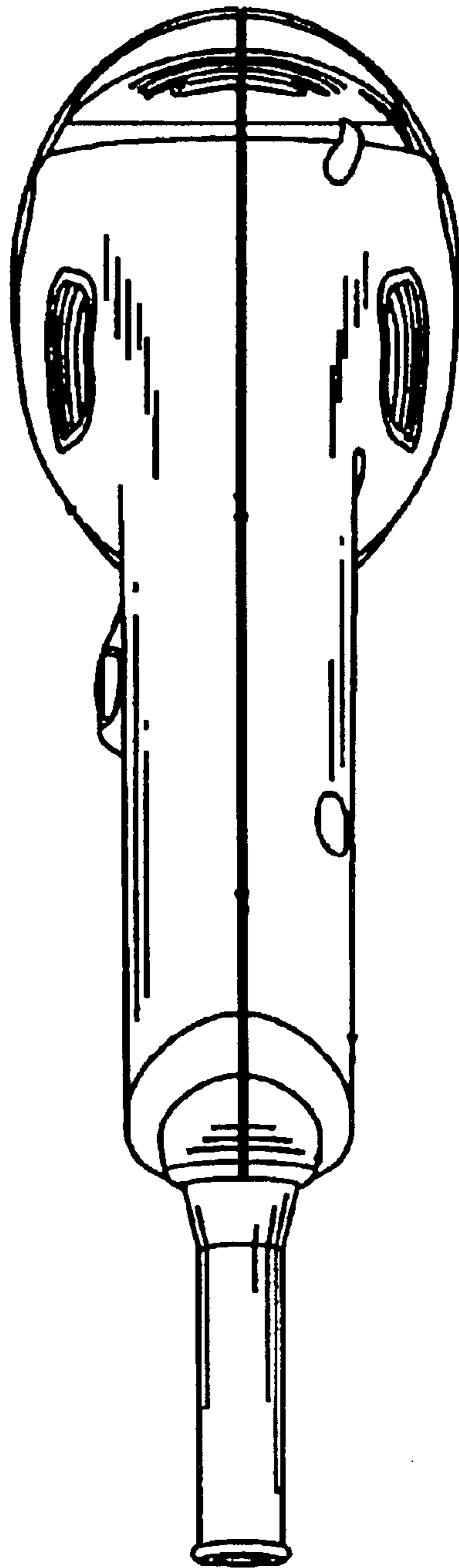


FIG. 6

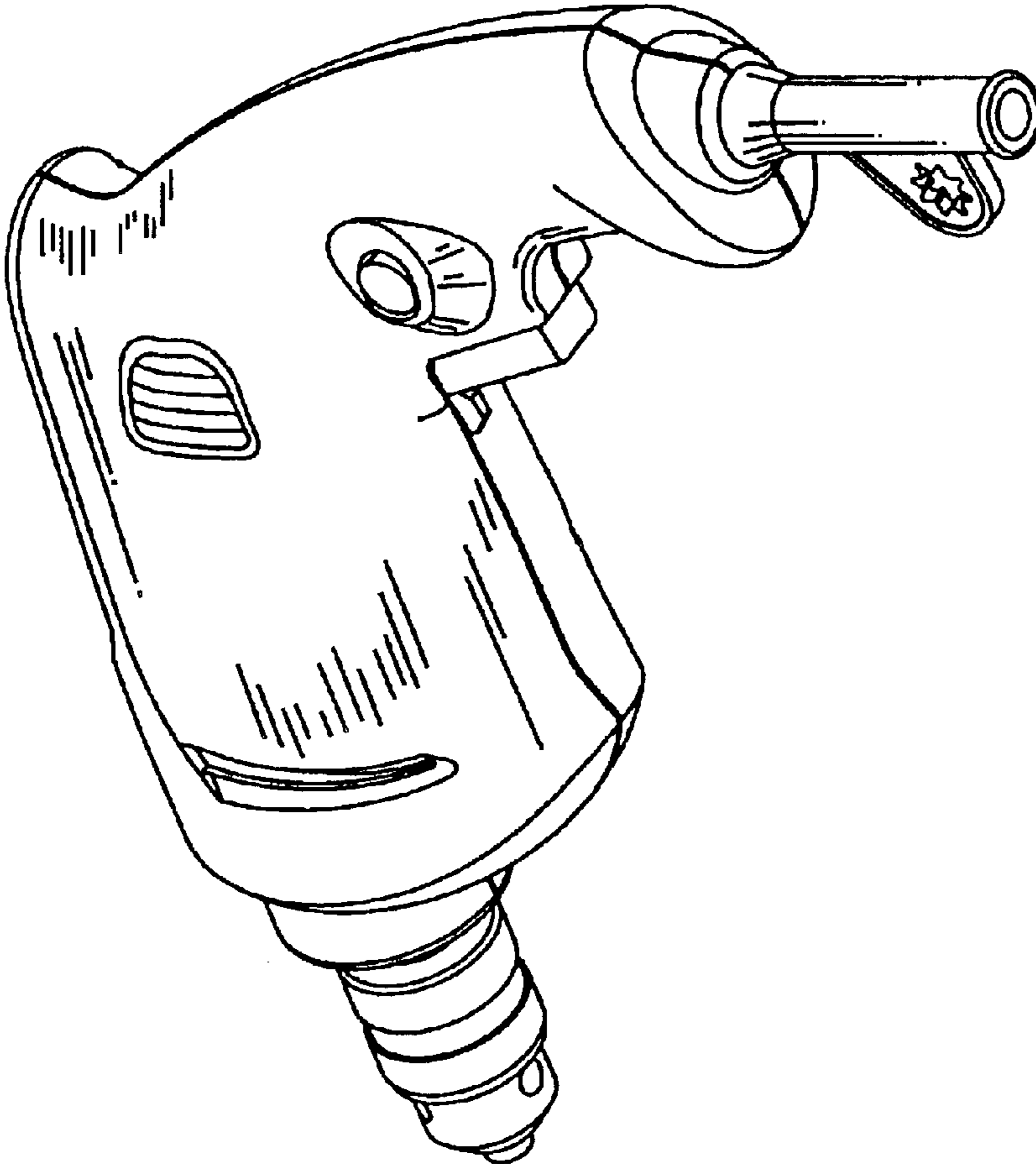


FIG. 7