

US00D498398S

(12) **United States Design Patent**
Chen

(10) **Patent No.:** **US D498,398 S**

(45) **Date of Patent:** **** Nov. 16, 2004**

(54) **PNEUMATIC TOOL**

(76) **Inventor:** **Lung-Hui Chen**, No. 296-1, Jungshan Rd., Juibei City, Hsinchu (TW)

(**) **Term:** **14 Years**

(21) **Appl. No.:** **29/200,620**

(22) **Filed:** **Mar. 3, 2004**

Related U.S. Application Data

(62) Division of application No. 29/192,009, filed on Oct. 20, 2003.

(51) **LOC (7) Cl.** **08-05**

(52) **U.S. Cl.** **D8/61**

(58) **Field of Search** D8/61, 62, 63, D8/67, 68, 69; 30/500; 81/57.11, 57.13, 464, 465, 466, 467, 469, 470; 173/13, 14, 47, 48, 168, 169, 170, 171; 310/50; 408/113, 124

(56) **References Cited**

U.S. PATENT DOCUMENTS

- D347,372 S 5/1994 Ghode et al.
- D357,848 S 5/1995 Izumisawa
- D408,241 S 4/1999 Jansson
- D408,243 S 4/1999 Izumisawa

- D432,379 S 10/2000 Sun
- 6,158,528 A 12/2000 Izumisawa
- D440,848 S 4/2001 Izumisawa
- D449,212 S 10/2001 Price et al.
- D465,395 S 11/2002 Hung
- D468,176 S 1/2003 Morgan
- D484,379 S 12/2003 Chen
- D484,380 S 12/2003 Chen

Primary Examiner—Joel Sincavage
Assistant Examiner—Elizabeth Albert
(74) *Attorney, Agent, or Firm*—Birch, Stewart, Kolasch & Birch, LLP

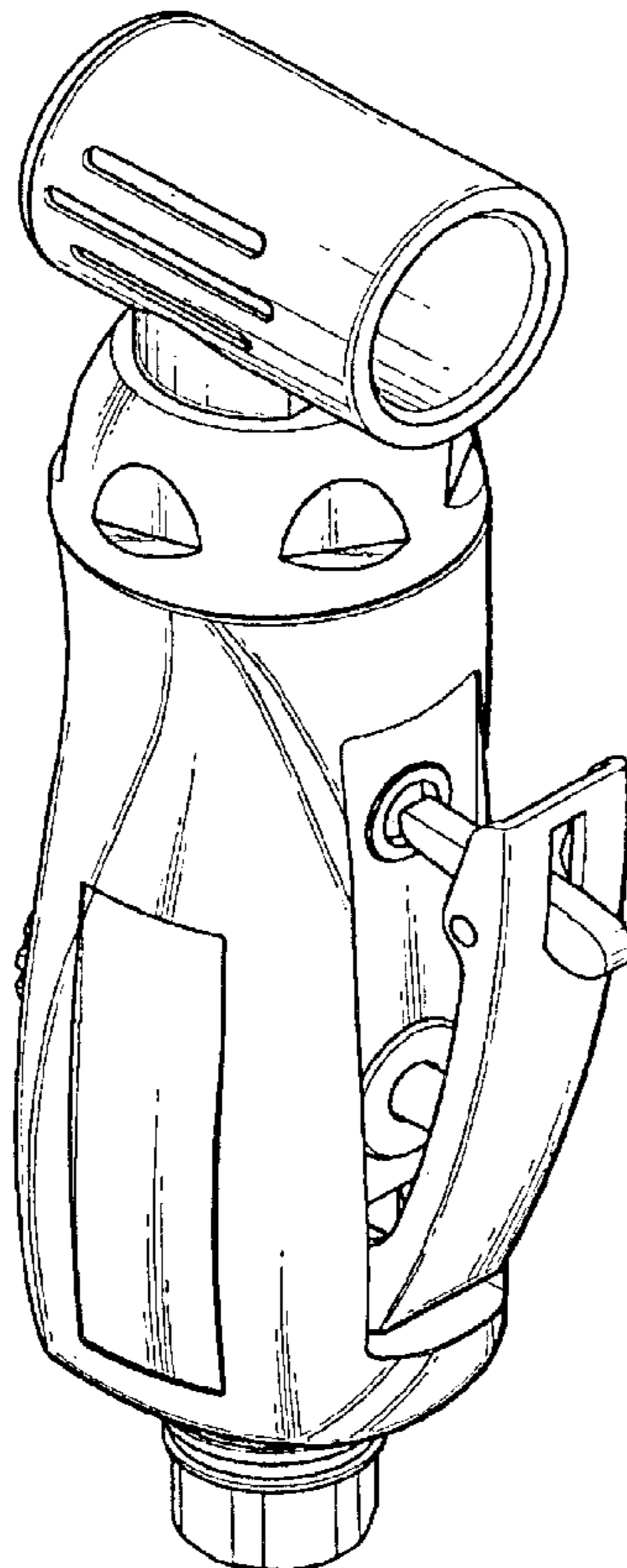
(57) **CLAIM**

The ornamental design for “pneumatic tool,” as shown and described.

DESCRIPTION

FIG. 1 is a perspective view of “pneumatic tool” showing our new design thereof;
FIG. 2 is a right side elevational view thereof;
FIG. 3 is a top plan view thereof;
FIG. 4 is a front side elevational view thereof;
FIG. 5 is a bottom plan view thereof;
FIG. 6 is a left side elevational view thereof; and,
FIG. 7 is a rear side elevational view thereof.

1 Claim, 4 Drawing Sheets



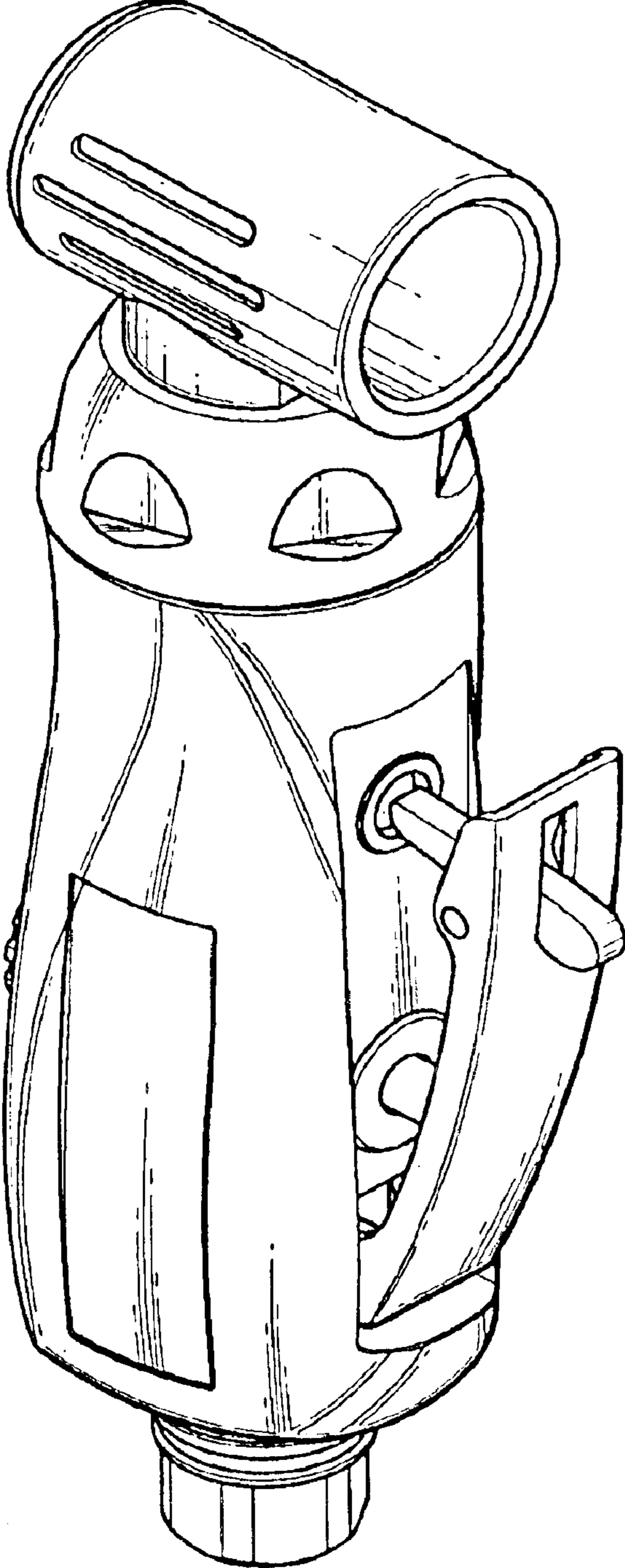


Fig. 1

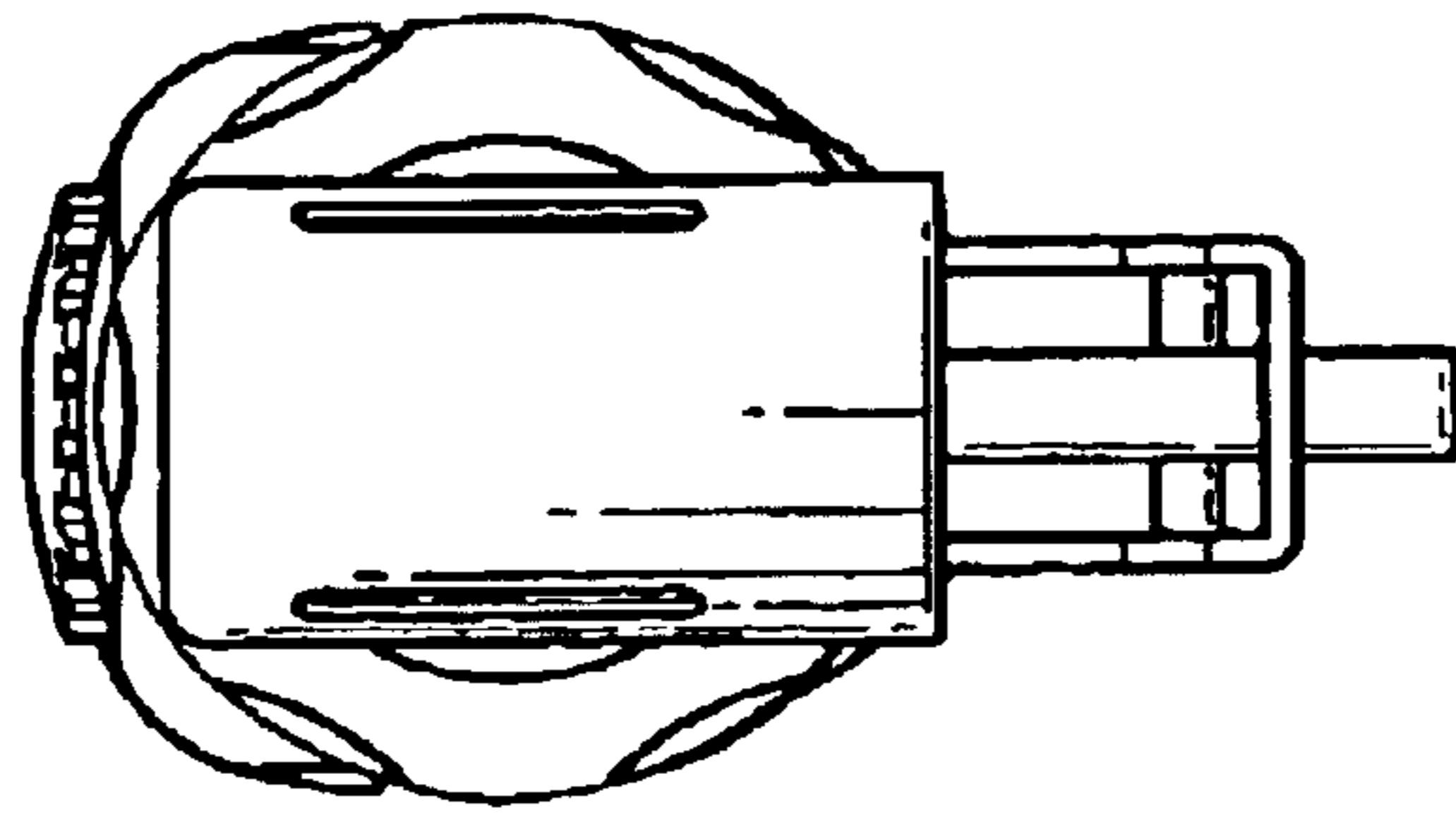


Fig. 3

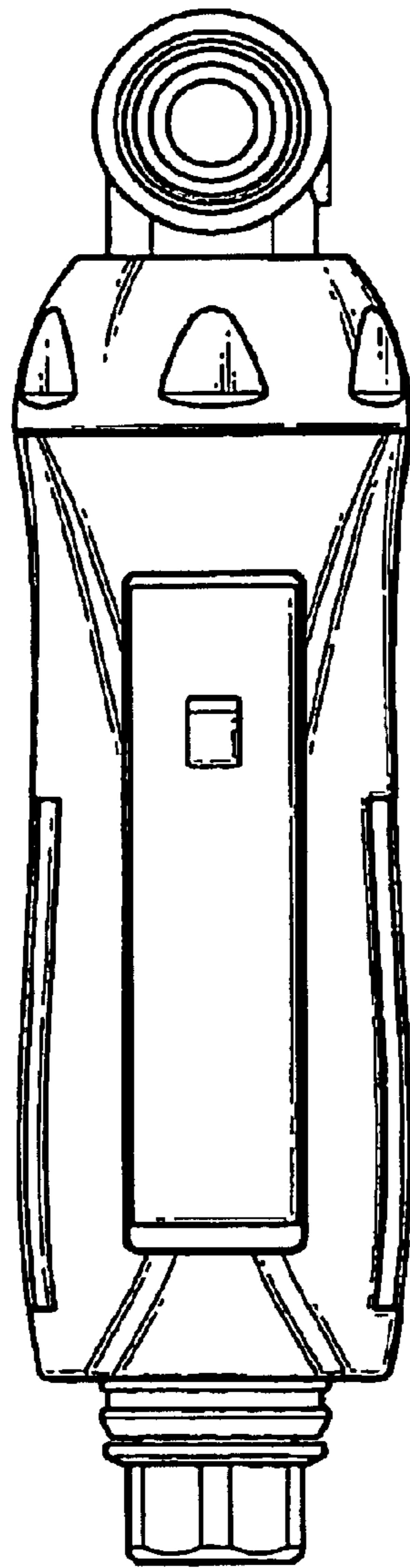


Fig. 2

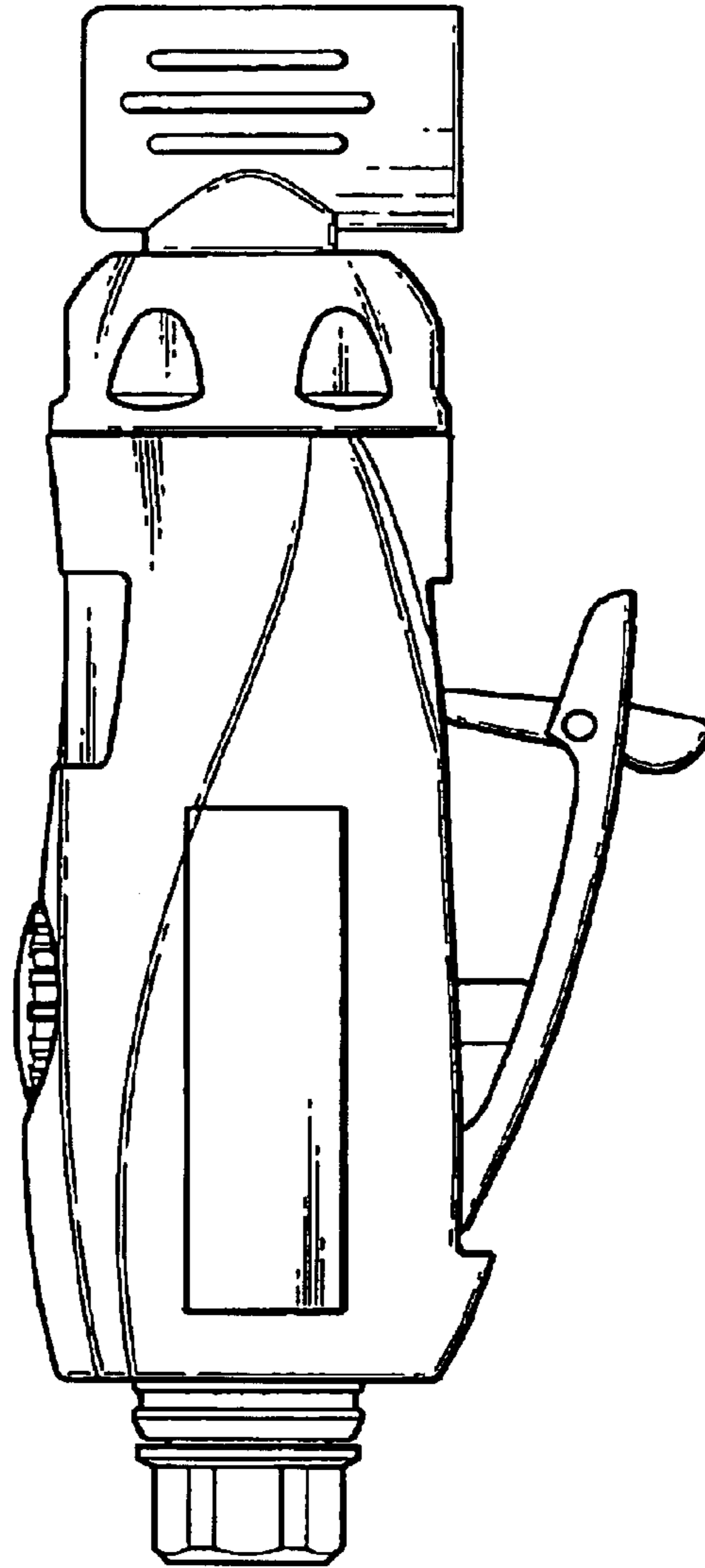


Fig. 4

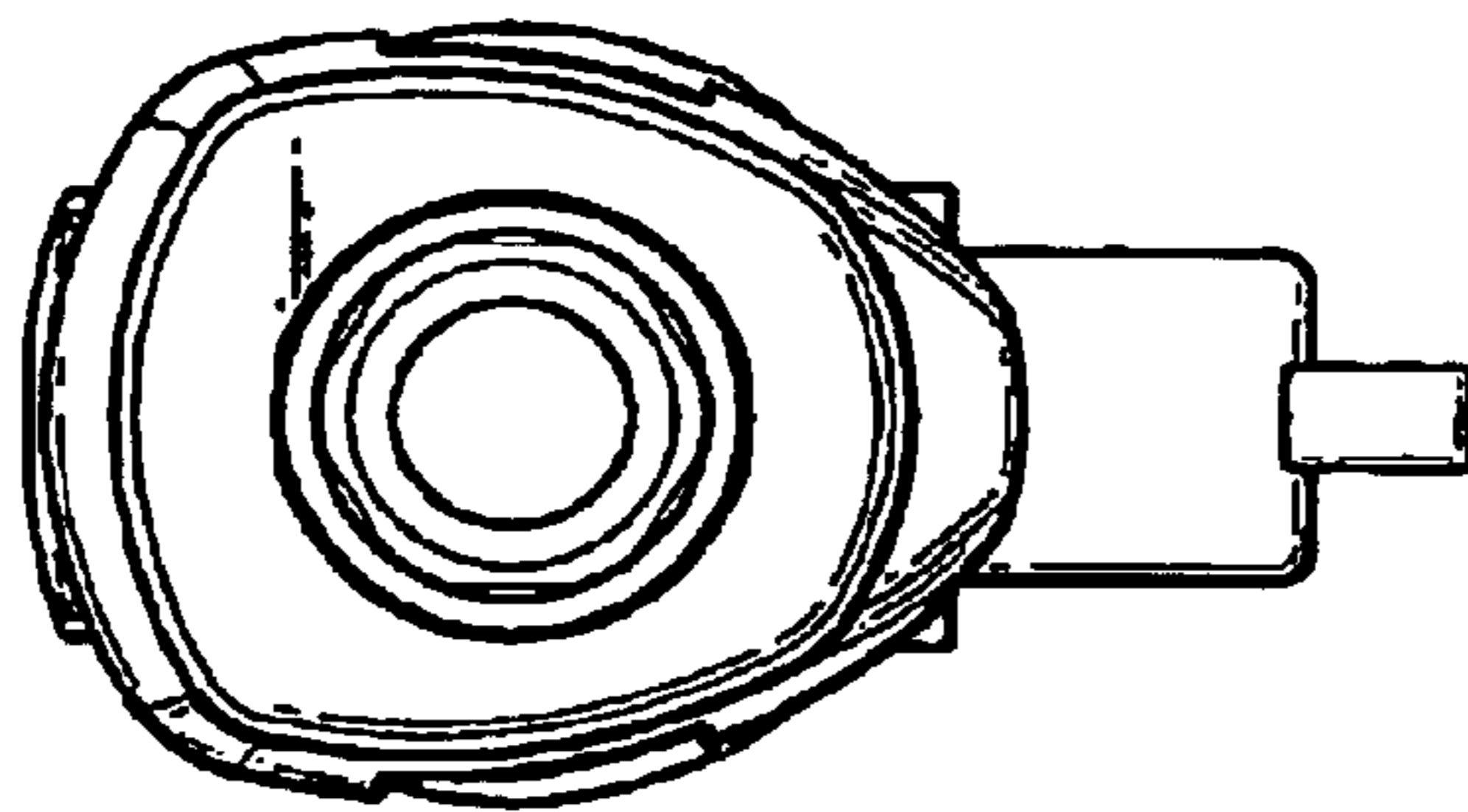


Fig. 5

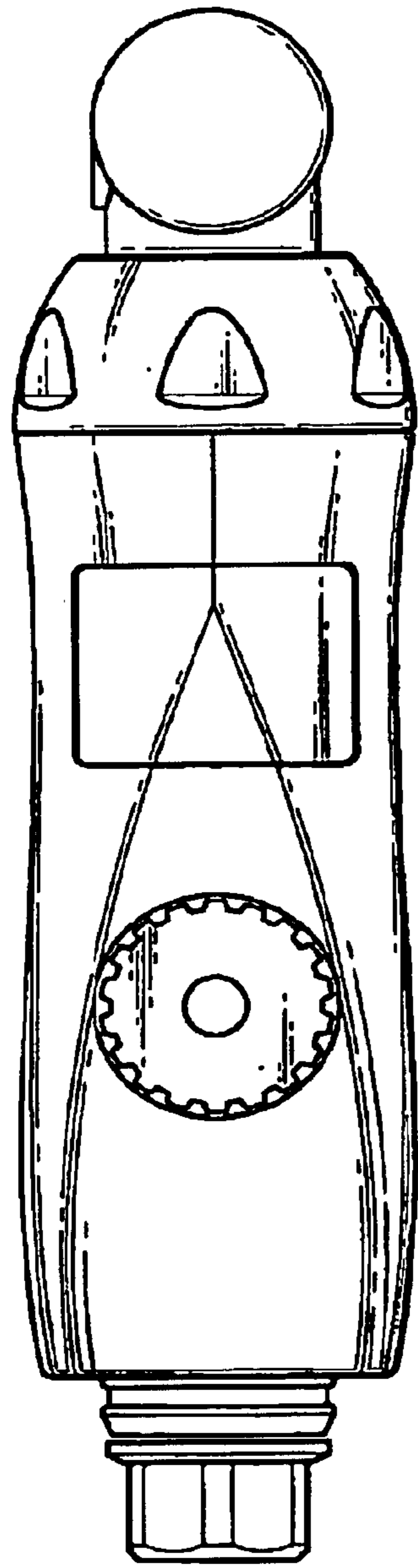


Fig. 6

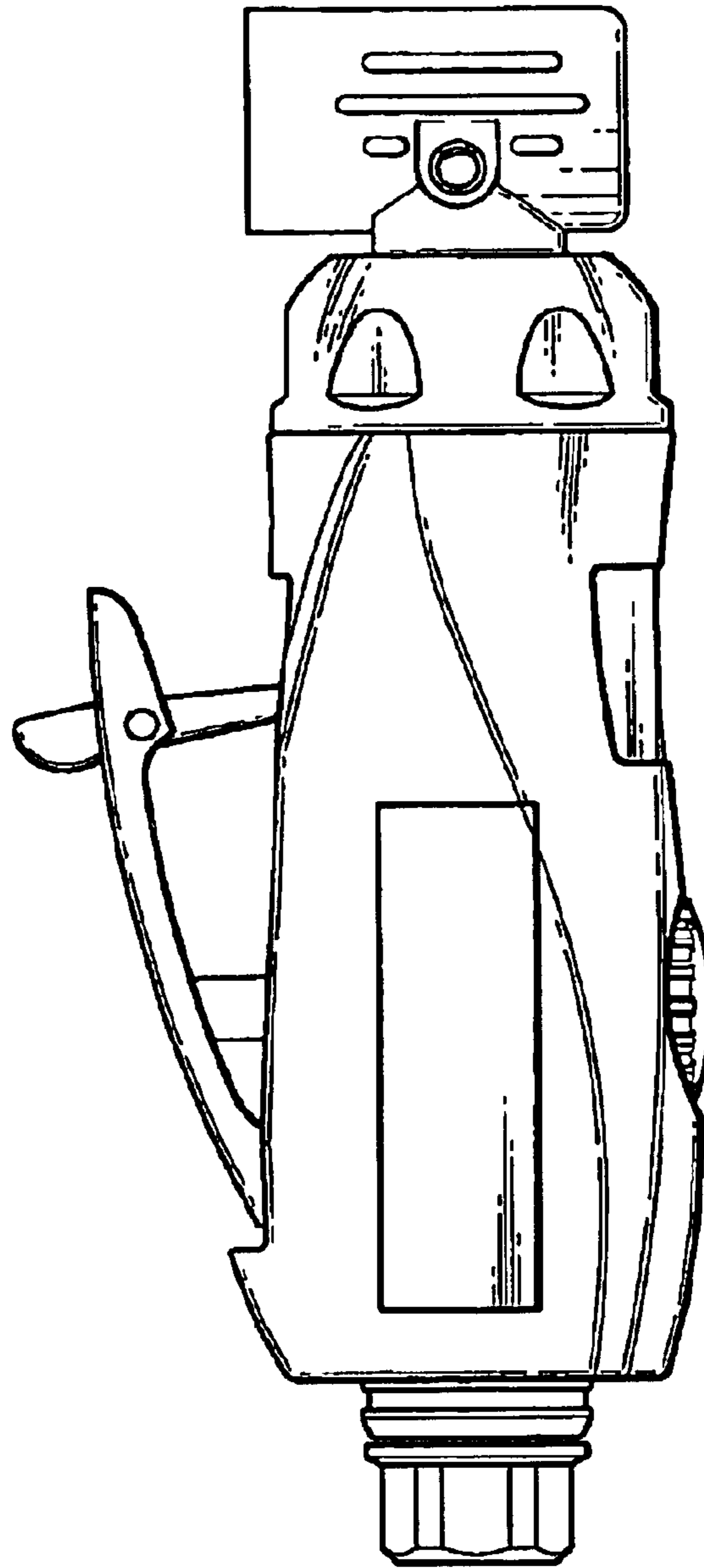


Fig. 7