

US00D498397S

(12) **United States Design Patent**
Mitchell

(10) **Patent No.:** **US D498,397 S**

(45) **Date of Patent:** **** Nov. 16, 2004**

(54) **SMOOTHING ROLLER**

(75) Inventor: **Linda Mitchell**, Nashville, TN (US)

(73) Assignee: **Zinsser Co., Inc.**, Somerset, NJ (US)

(**) Term: **14 Years**

(21) Appl. No.: **29/195,692**

(22) Filed: **Dec. 16, 2003**

(51) **LOC (7) Cl.** **08-05**

(52) **U.S. Cl.** **D8/14**

(58) **Field of Search** D8/14, 107; D4/122;
D32/46; 15/105; 492/13; 7/105

(56) **References Cited**

U.S. PATENT DOCUMENTS

- 1,510,034 A * 9/1924 Edward 492/13
- 2,669,742 A * 2/1954 Coughlan 15/230.11
- 3,389,420 A * 6/1968 Pryor 15/235.3

FOREIGN PATENT DOCUMENTS

FR 2641737 A1 * 7/1990 B44C/7/08

OTHER PUBLICATIONS

Embee rollers. Datasheet [online]. ePainstore, Apr. 2003 [retrieved on Jun. 23, 2004], Retrieved from the Inter

net:http://web.archive.org/web/20030421230651/www.epainstore.com/wallpaper/wallpaper_seam_menu.htm.*

* cited by examiner

Primary Examiner—Holly Baynham

(74) *Attorney, Agent, or Firm*—Calfee, Halter & Griswold LLP

(57) **CLAIM**

The ornamental design for a smoothing roller, as shown and described.

DESCRIPTION

FIG. 1 is a perspective view of a smoothing roller showing the new design;

FIG. 2 is a left side view of the smoothing roller of FIG. 1;

FIG. 3 is a top view of the smoothing roller of FIG. 1;

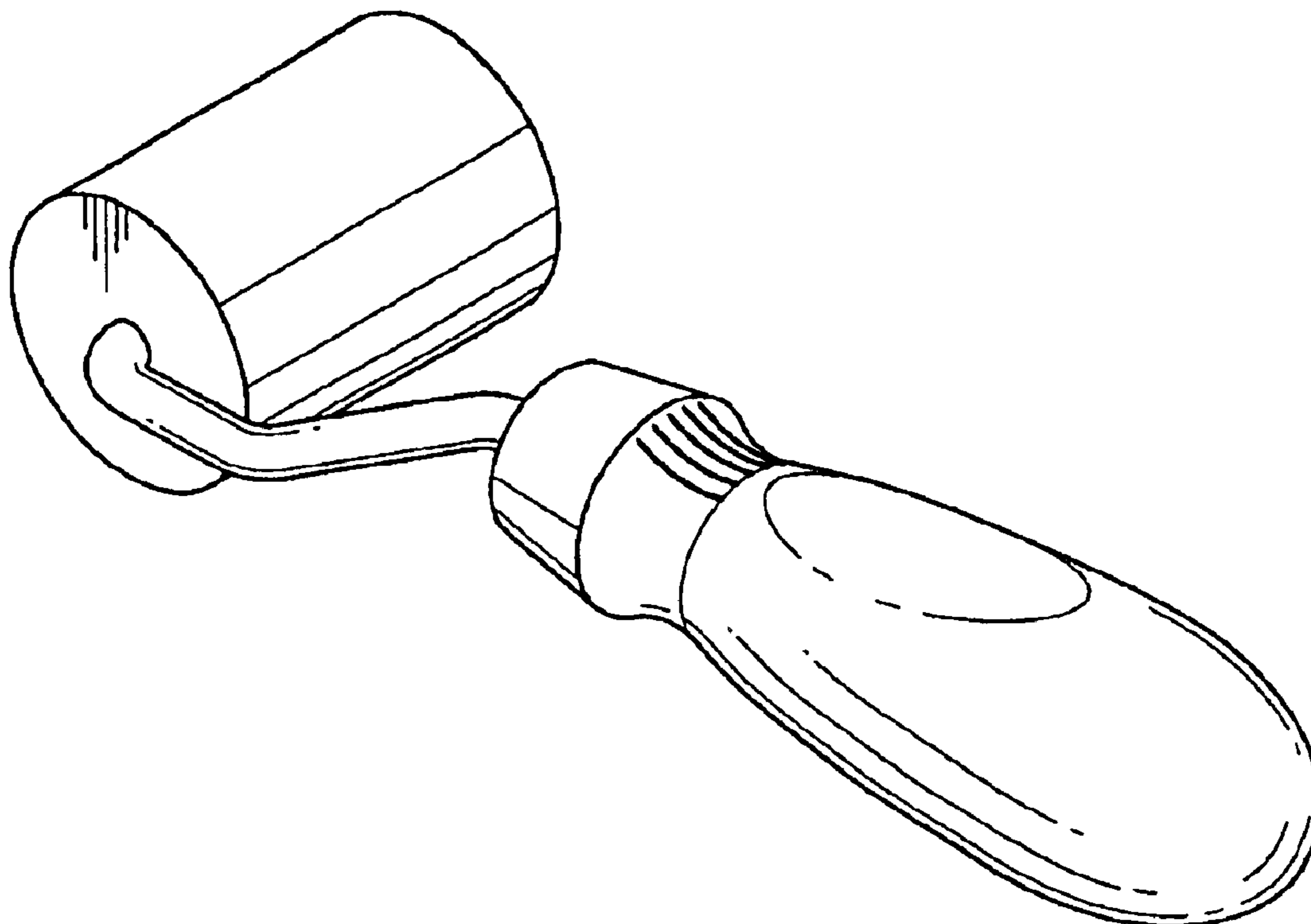
FIG. 4 is an end view of the smoothing roller of FIG. 1;

FIG. 5 is a bottom view of the smoothing roller of FIG. 1;

FIG. 6 is an end view of the smoothing roller of FIG. 1; and,

FIG. 7 is a right side view of the smoothing roller of FIG. 1.

1 Claim, 2 Drawing Sheets



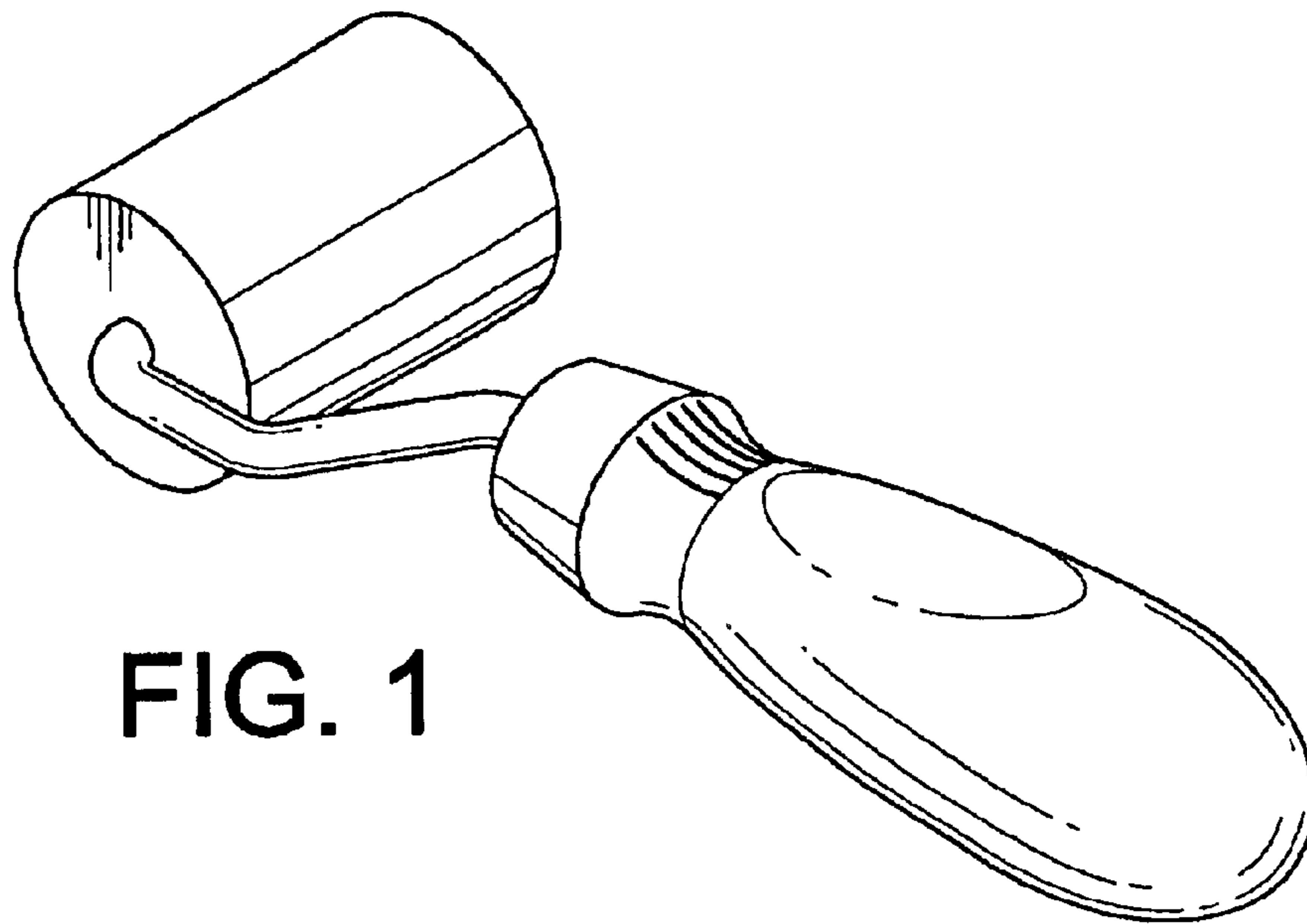


FIG. 1

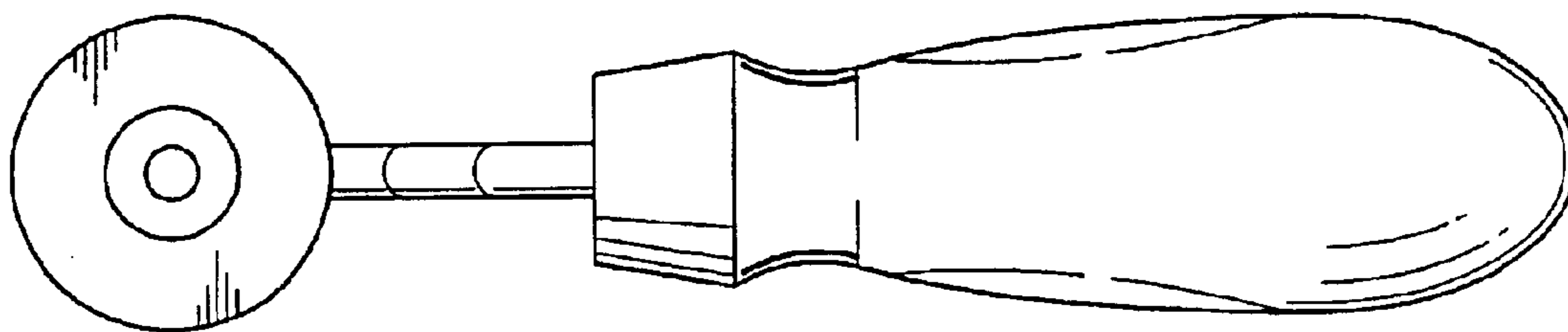


FIG. 2

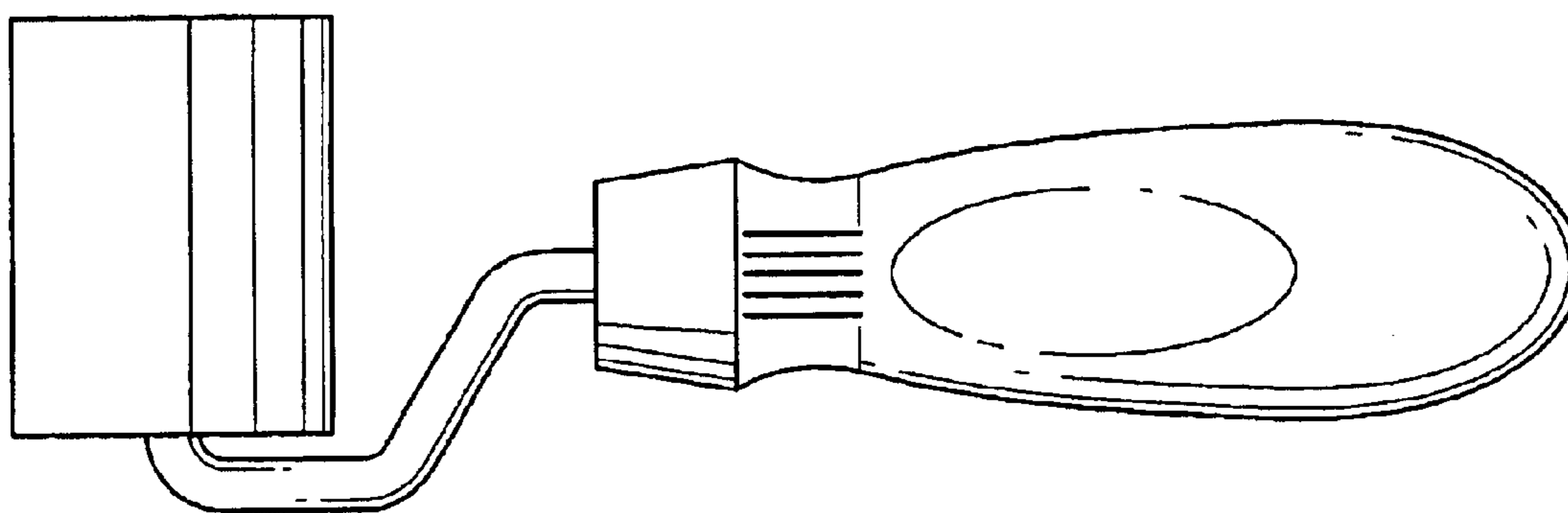


FIG. 3

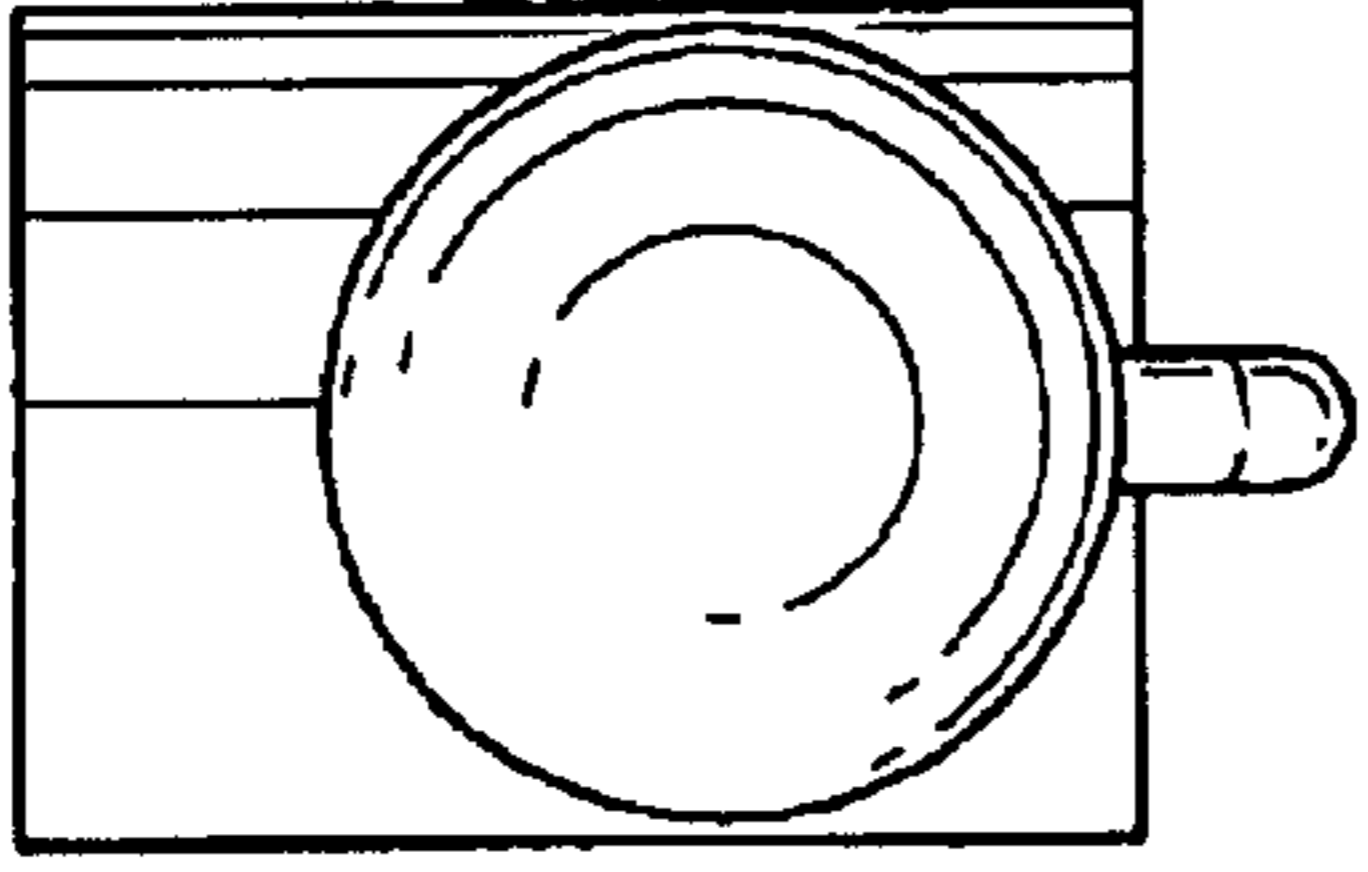


FIG. 6

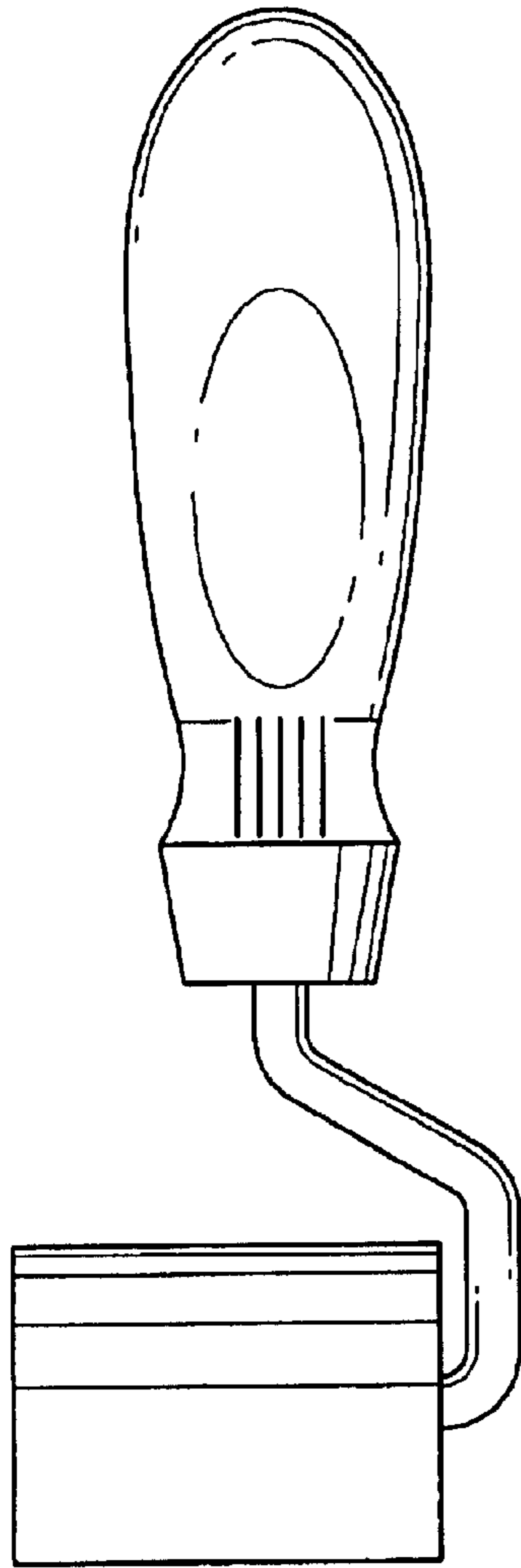


FIG. 5

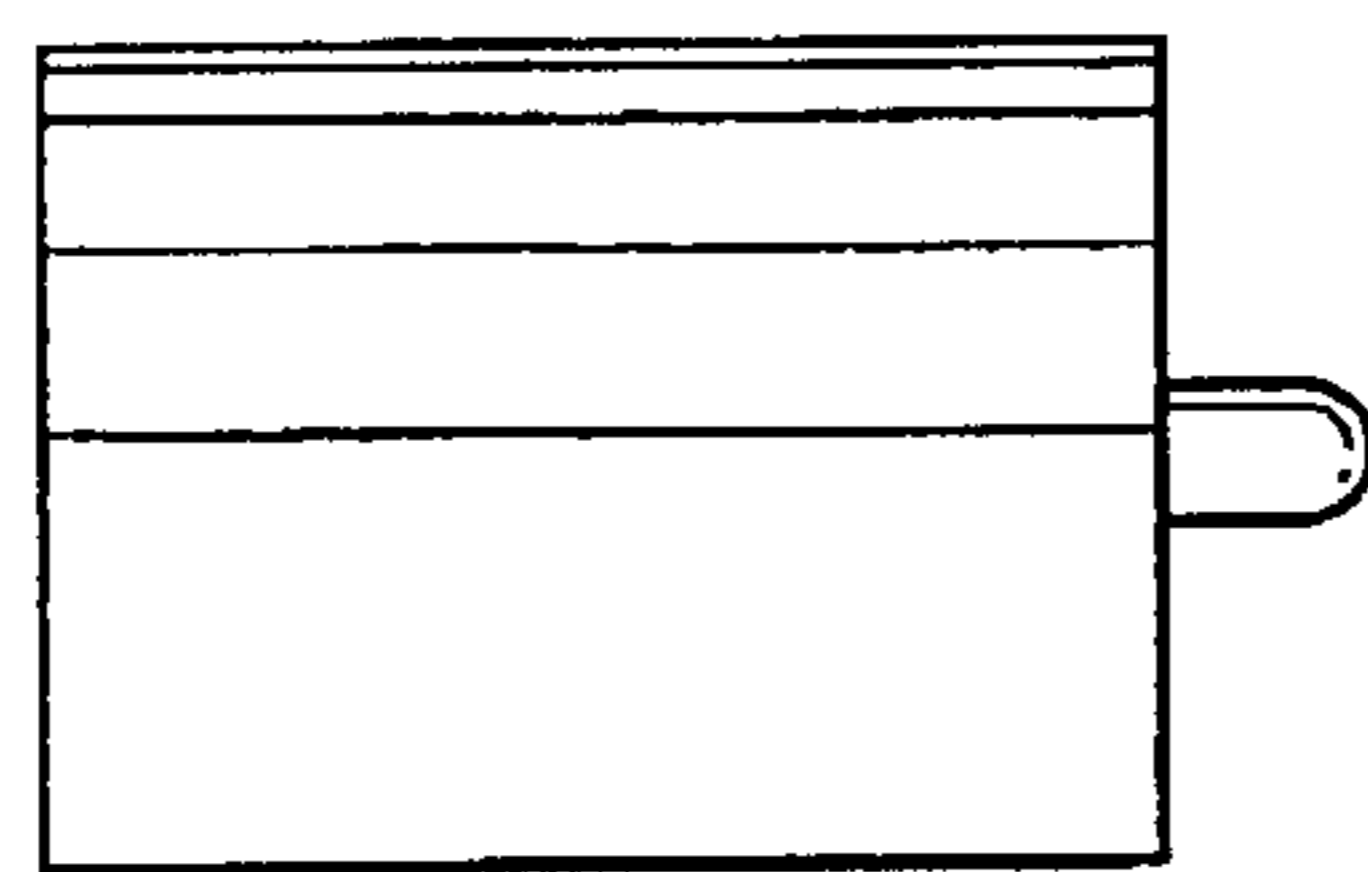


FIG. 4

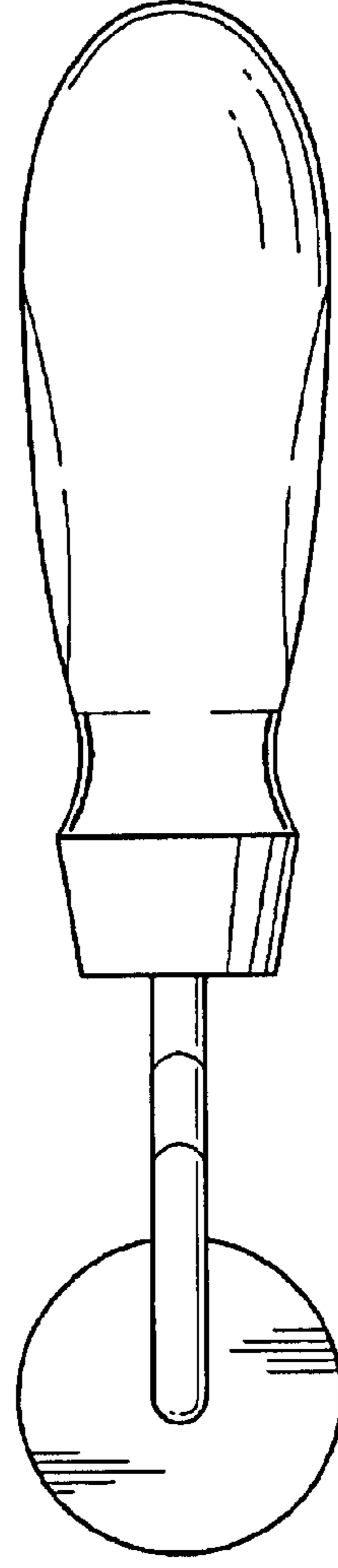


FIG. 7