

US00D498393S

(12) **United States Design Patent** (10) **Patent No.:** **US D498,393 S**  
**Welch** (45) **Date of Patent:** **\*\* Nov. 16, 2004**

(54) **FORK AND SPOON**

(75) Inventor: **William Leonard Welch**, Tredington (GB)

(73) Assignee: **Robert Welch Designs Limited** (GB)

(\*\*) Term: **14 Years**

(21) Appl. No.: **29/178,996**

(22) Filed: **Apr. 3, 2003**

(30) **Foreign Application Priority Data**

Nov. 8, 2002	(GB)	.....	3008466
Nov. 8, 2002	(GB)	.....	3008467

(51) **LOC (7) Cl.** ..... **07-03**

(52) **U.S. Cl.** ..... **D7/645**

(58) **Field of Search** ..... D7/642-664, 401.2;  
30/137, 147-150, 322-328

(56) **References Cited**

**U.S. PATENT DOCUMENTS**

D86,009 S	*	1/1932	Beck	.....	D7/653
D213,992 S	*	4/1969	Uldall	.....	D7/653
D455,936 S	*	4/2002	Welch	.....	D7/645
D483,991 S	*	12/2003	Poupel	.....	D7/401.2

\* cited by examiner

*Primary Examiner*—Caron D. Veynar

(74) *Attorney, Agent, or Firm*—MacMillan, Sobanski & Todd, LLC

(57) **CLAIM**

The ornamental design for a fork and spoon, as shown and described.

**DESCRIPTION**

FIG. 1 is a perspective view as seen from the upper left side of a fork showing my new design;

FIG. 2 is a left side view thereof, the right side view being a mirror image thereof;

FIG. 3 is a top view thereof;

FIG. 4 is a cross sectional view as taken along line 4—4 of FIG. 3;

FIG. 5 is a cross sectional view as taken along line 5—5 of FIG. 3;

FIG. 6 is a cross sectional view as taken along line 6—6 of FIG. 3;

FIG. 7 is a cross sectional view as taken along line 7—7 of FIG. 3;

FIG. 8 is a cross sectional view as taken along line 8—8 of FIG. 3;

FIG. 9 is a cross sectional view as taken along line 9—9 of FIG. 3;

FIG. 10 is a cross sectional view as taken along line 10—10 of FIG. 3;

FIG. 11 is a perspective view of the claimed design embodied in a spoon;

FIG. 12 is a left side view thereof, the right side view being a mirror image thereof;

FIG. 13 is a top view thereof;

FIG. 14 is a cross sectional view as taken along line 14—14 of FIG. 13;

FIG. 15 is a cross sectional view as taken along line 15—15 of FIG. 13;

FIG. 16 is a cross sectional view as taken along line 16—16 of FIG. 13;

FIG. 17 is a cross sectional view as taken along line 17—17 of FIG. 13;

FIG. 18 is a cross sectional view as taken along line 18—18 of FIG. 13;

FIG. 19 is a cross sectional view as taken along line 19—19 of FIG. 13; and,

FIG. 20 is a cross sectional view as taken along line 20—20 of FIG. 13.

**1 Claim, 4 Drawing Sheets**

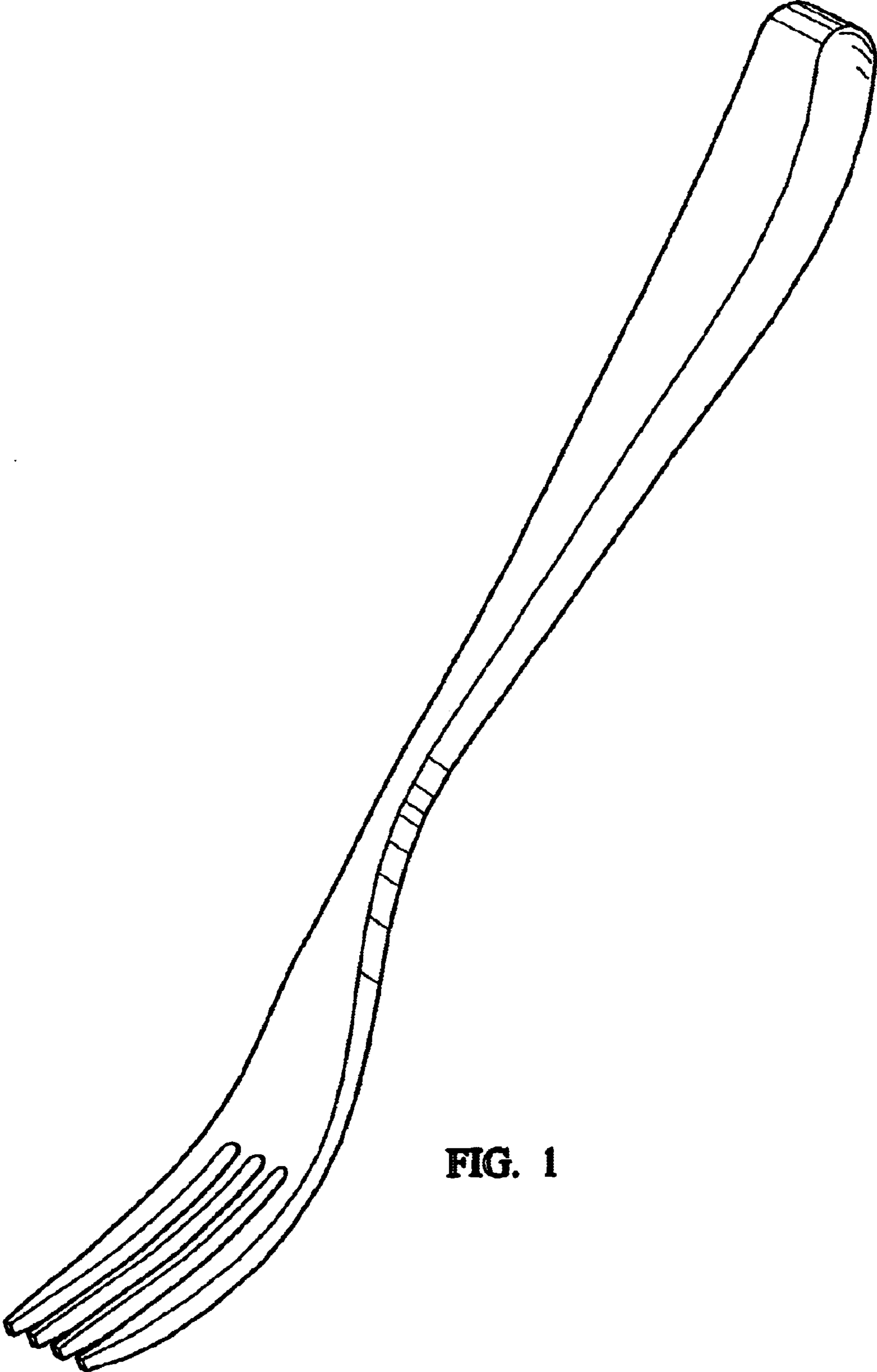


FIG. 1

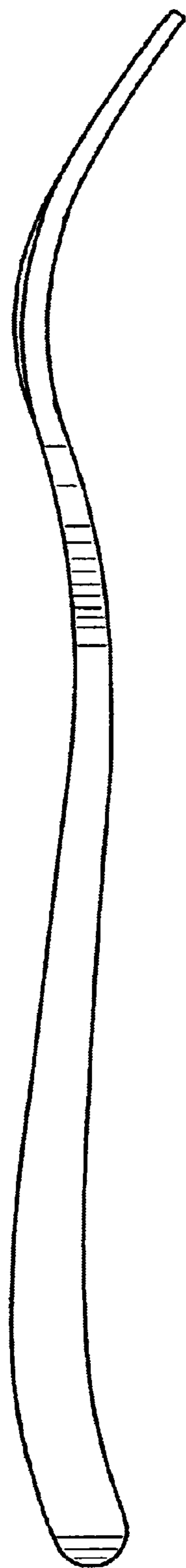


FIG. 2



FIG. 4



FIG. 5



FIG. 6



FIG. 7



FIG. 8



FIG. 9



FIG. 10

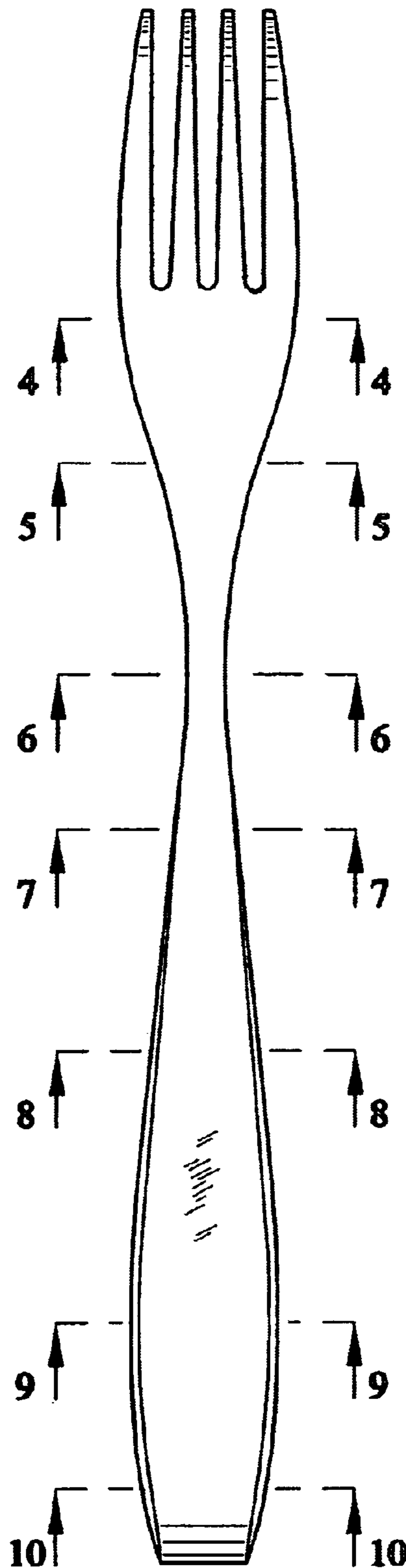


FIG. 3

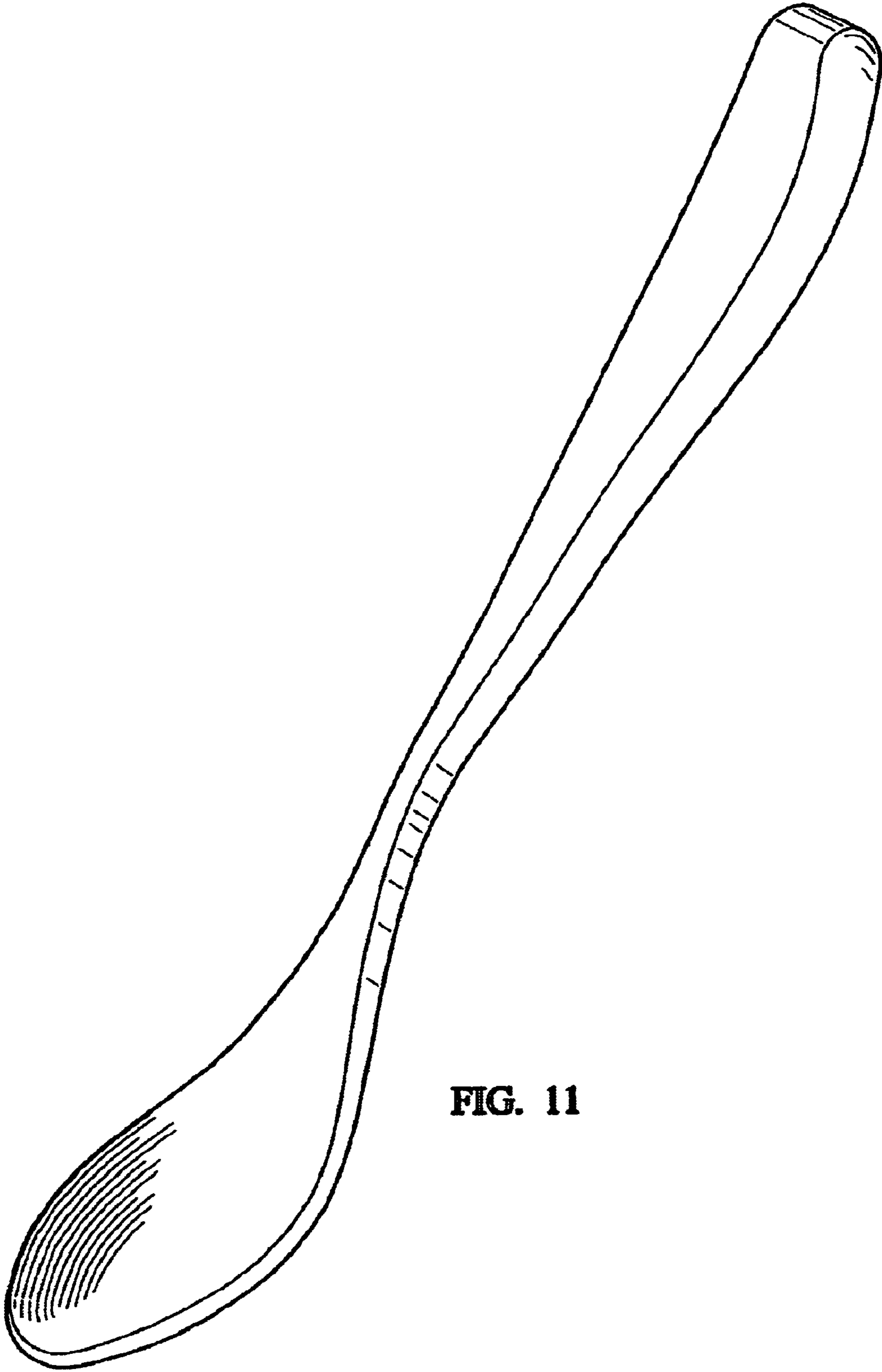


FIG. 11

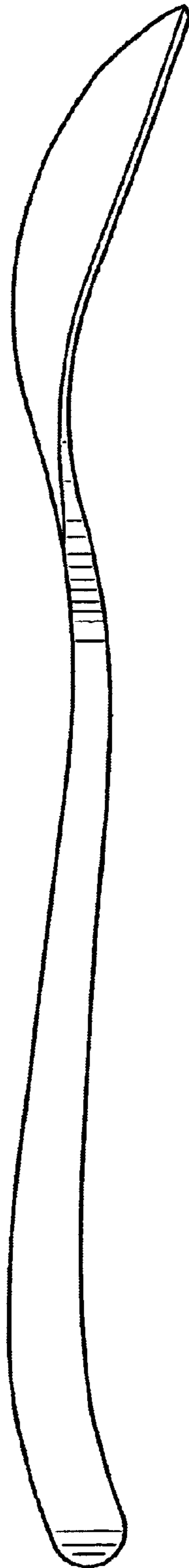


FIG. 12



FIG. 14



FIG. 15



FIG. 16



FIG. 17



FIG. 18



FIG. 19



FIG. 20

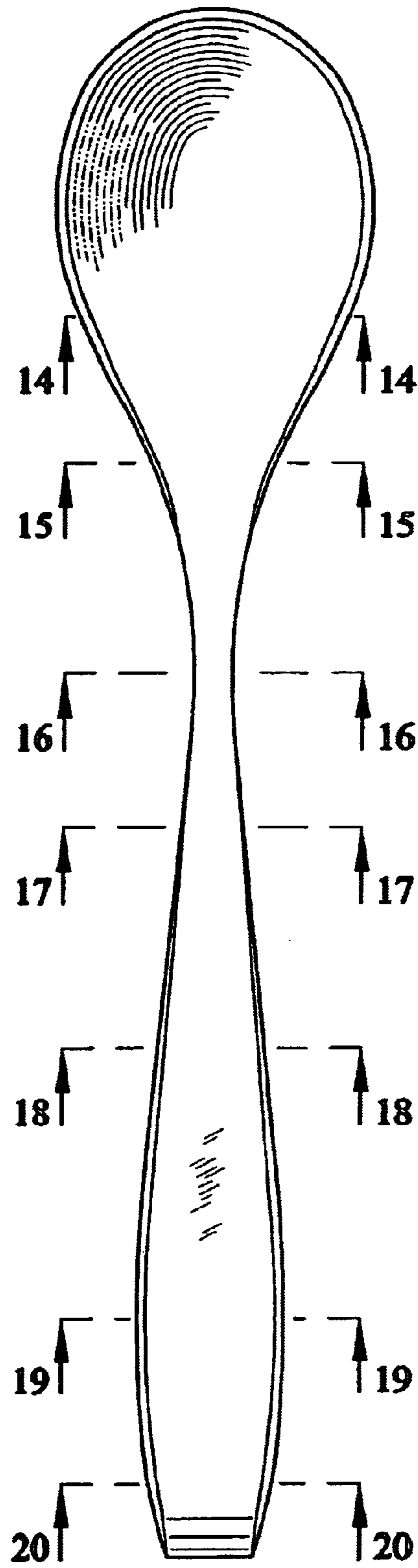


FIG. 13