



US00D498392S

(12) **United States Design Patent** (10) **Patent No.:** **US D498,392 S**
Lowe (45) **Date of Patent:** **** Nov. 16, 2004**

(54) **BEVERAGE CAN COOLER**

(76) Inventor: **Graham C. Lowe**, 2559 Caroline Ave.,
Bexley, OH (US) 43209

(**) Term: **14 Years**

(21) Appl. No.: **29/194,150**

(22) Filed: **Nov. 19, 2003**

Related U.S. Application Data

(62) Division of application No. 29/174,100, filed on Jan. 10,
2003.

(51) **LOC (7) Cl.** **07-01**

(52) **U.S. Cl.** **D7/625; D7/606; D12/500**

(58) **Field of Search** **D7/605-608, 619-625;**
D12/500; 62/457.1-457.7; 215/392-396;
220/737, 739, 902, 903

(56) **References Cited**

U.S. PATENT DOCUMENTS

- D183,288 S 7/1958 Nappe
- 4,293,015 A * 10/1981 McGough 220/739
- D304,538 S * 11/1989 Byrns D7/608
- D334,324 S 3/1993 Pierce
- D340,103 S 10/1993 Nolan
- D347,971 S 6/1994 Krugman
- D357,386 S 4/1995 Jones
- D394,517 S 5/1998 Gebhard, Sr.
- D395,200 S 6/1998 Bidwell
- D398,193 S 9/1998 Sanchez
- D402,503 S 12/1998 Sanchez
- D405,650 S 2/1999 Meier
- D407,673 S 4/1999 Kiser
- D429,480 S * 8/2000 Bonko D12/500
- D439,115 S 3/2001 Bidwell

- 6,206,223 B1 3/2001 Wicker
- D441,614 S * 5/2001 Carroll D7/624.2
- D442,833 S * 5/2001 Shuman D7/608
- D445,778 S 7/2001 Eiler

* cited by examiner

Primary Examiner—Terry A. Wallace

(74) *Attorney, Agent, or Firm*—Jason H. Foster; Kremblas,
Foster, Phillips & Pollick

(57) **CLAIM**

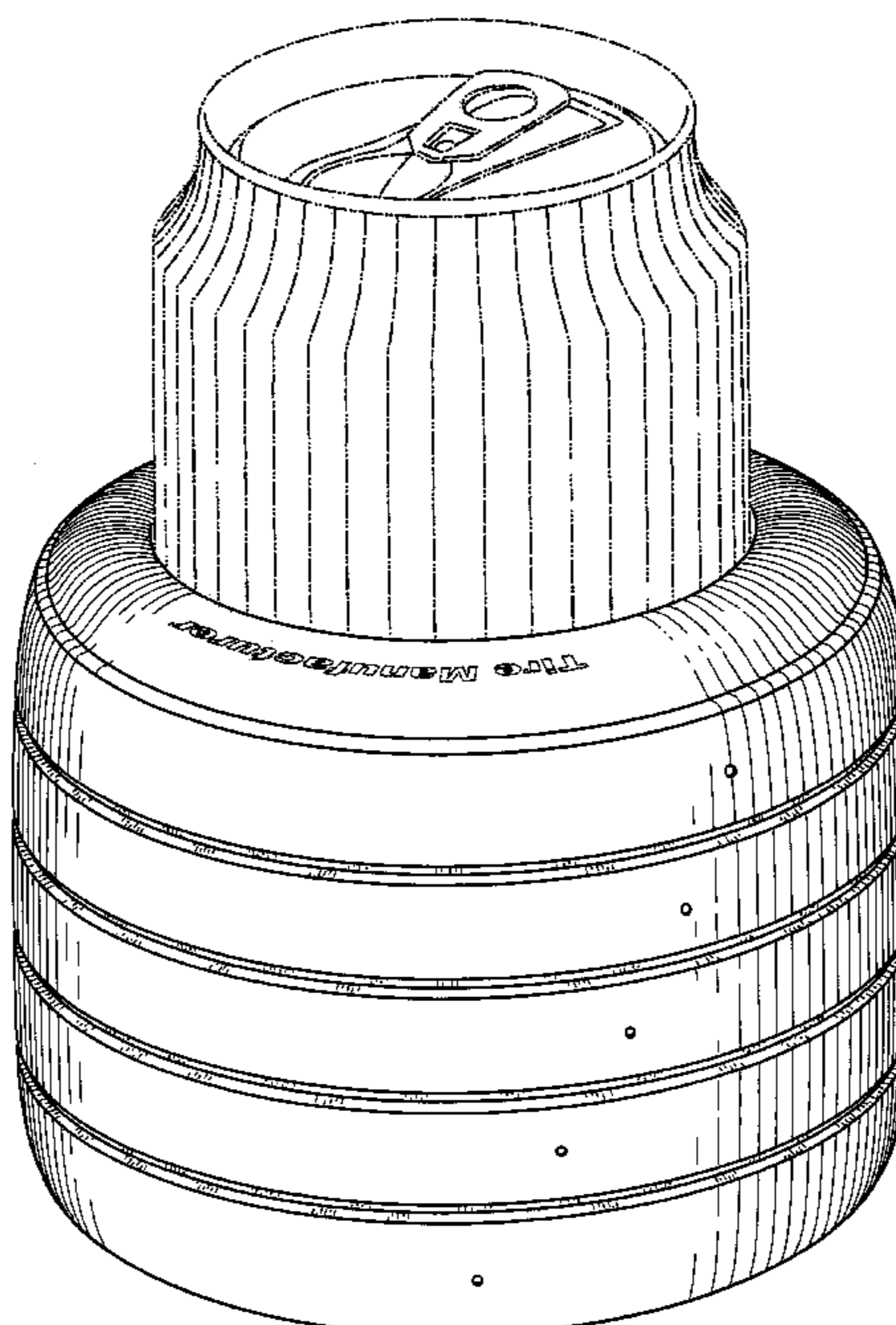
The ornamental design for a beverage can cooler, as shown
and described.

DESCRIPTION

FIG. 1 is a perspective view of a beverage can cooler showing my new design;
 FIG. 2 is a top plan view thereof;
 FIG. 3 is a bottom plan view thereof;
 FIG. 4 is a side view thereof, the other sides are substantially identical;
 FIG. 5 is a perspective view of an alternate embodiment of FIG. 1;
 FIG. 6 is a top plan view of FIG. 5;
 FIG. 7 is a bottom plan view of FIG. 5;
 FIG. 8 is a side view of FIG. 5, the other sides are substantially identical;
 FIG. 9 is a perspective view of an alternate embodiment of FIG. 1;
 FIG. 10 is a top plan view of FIG. 9;
 FIG. 11 is a bottom plan view of FIG. 9; and,
 FIG. 12 is a side view of FIG. 9, the other sides are substantially identical.

The broken lines showing the can are for illustrative purposes only and form no part of the claimed design.

1 Claim, 9 Drawing Sheets



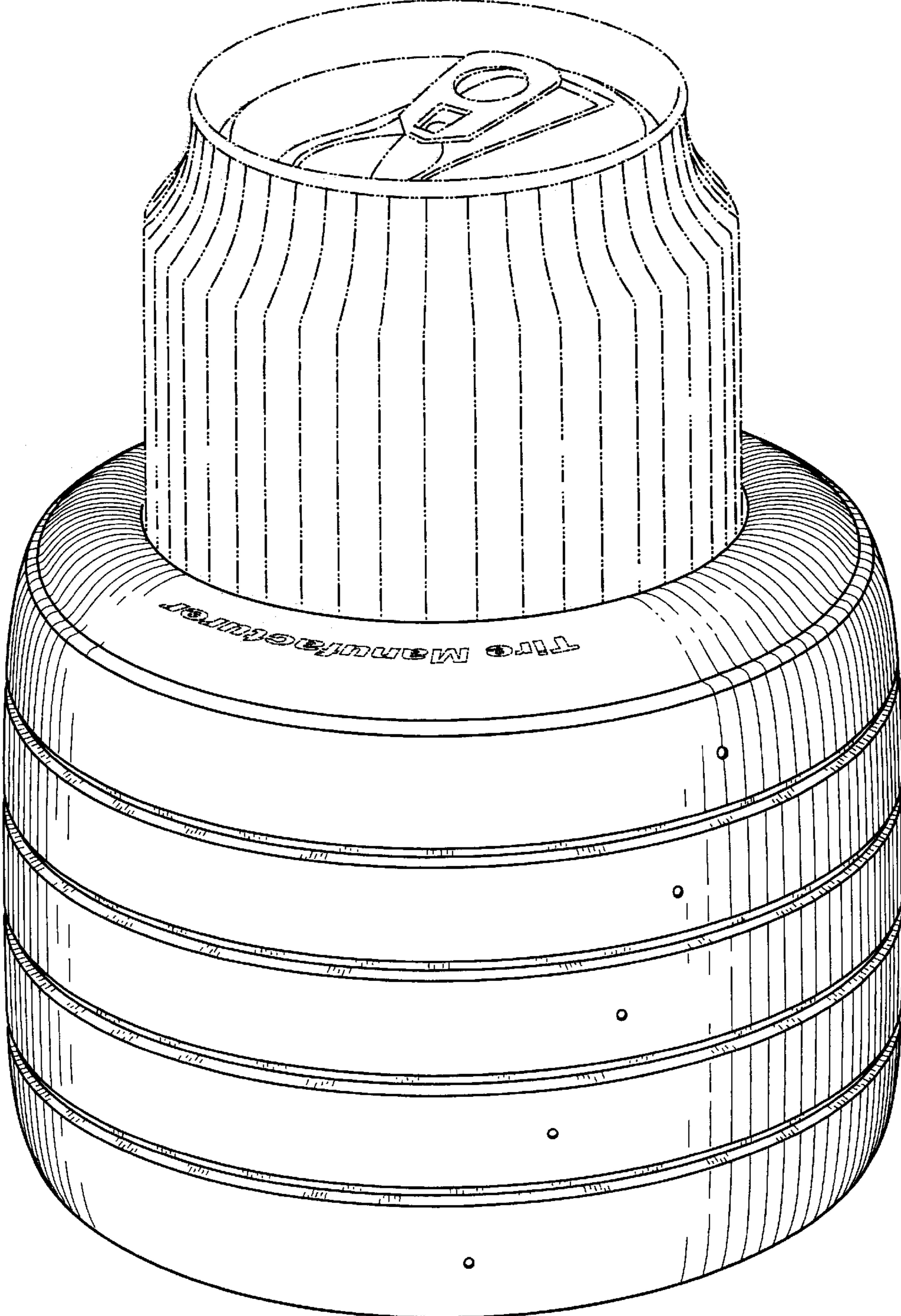


FIG. 1

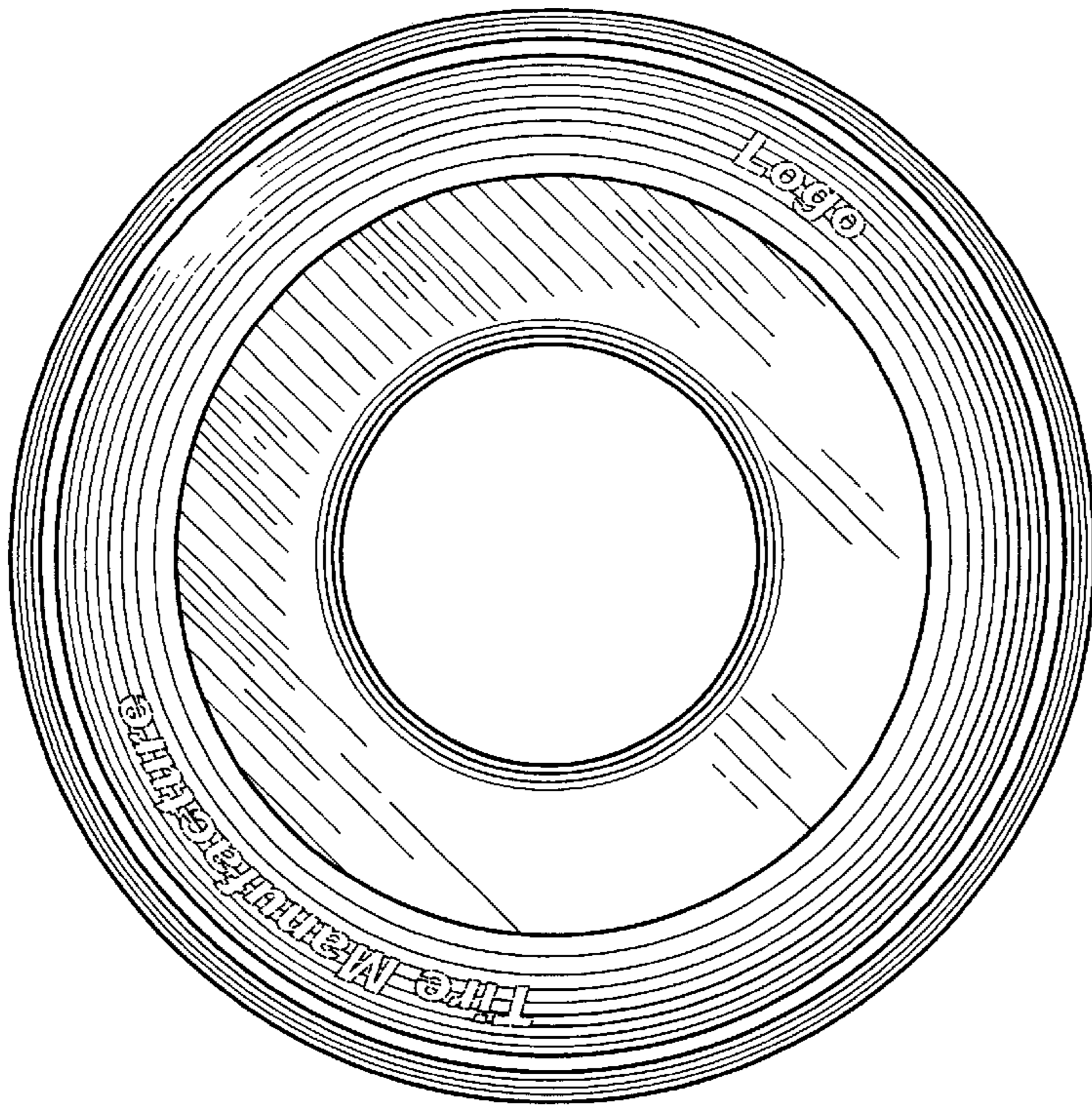


FIG. 2

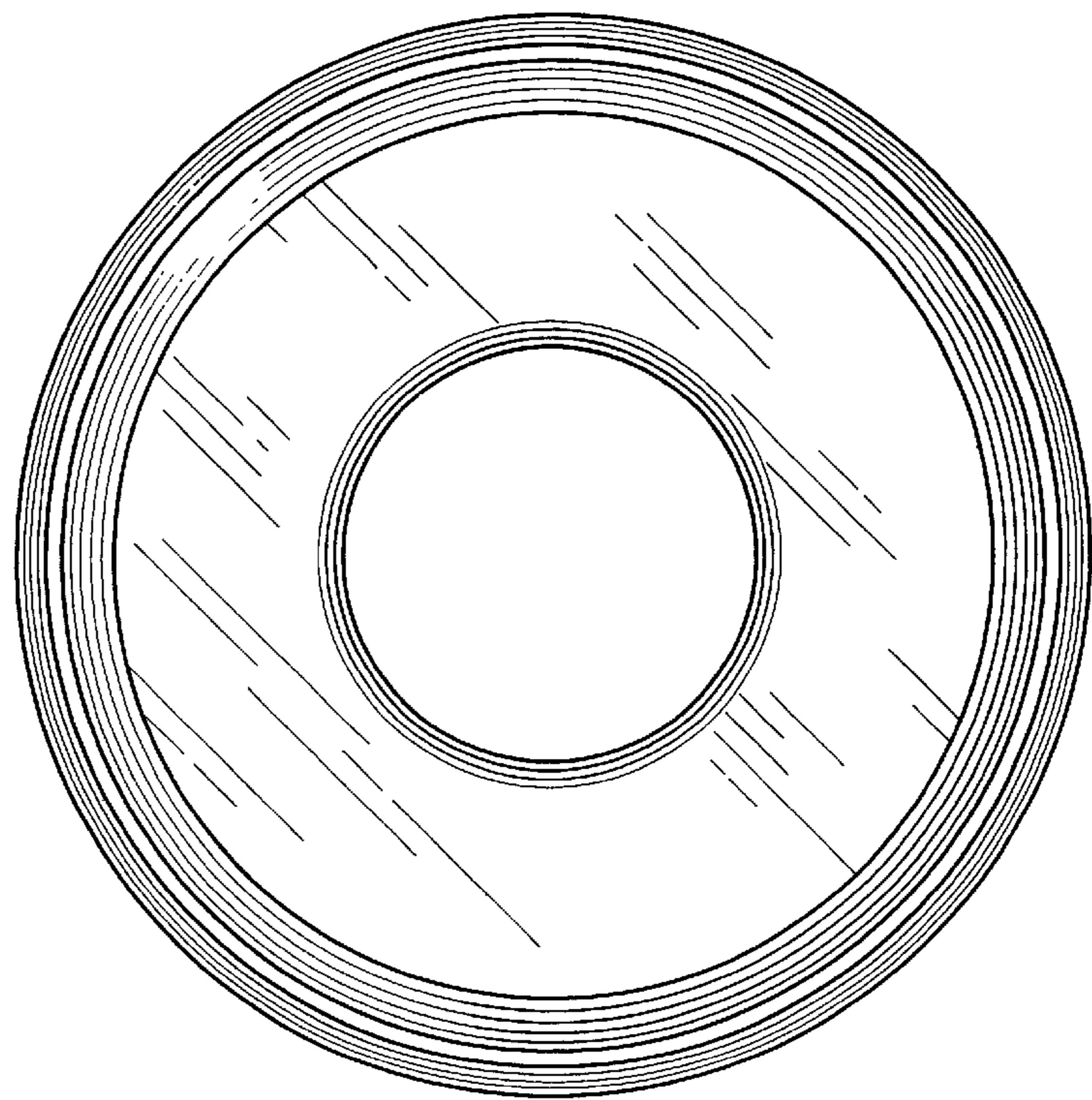


FIG. 3

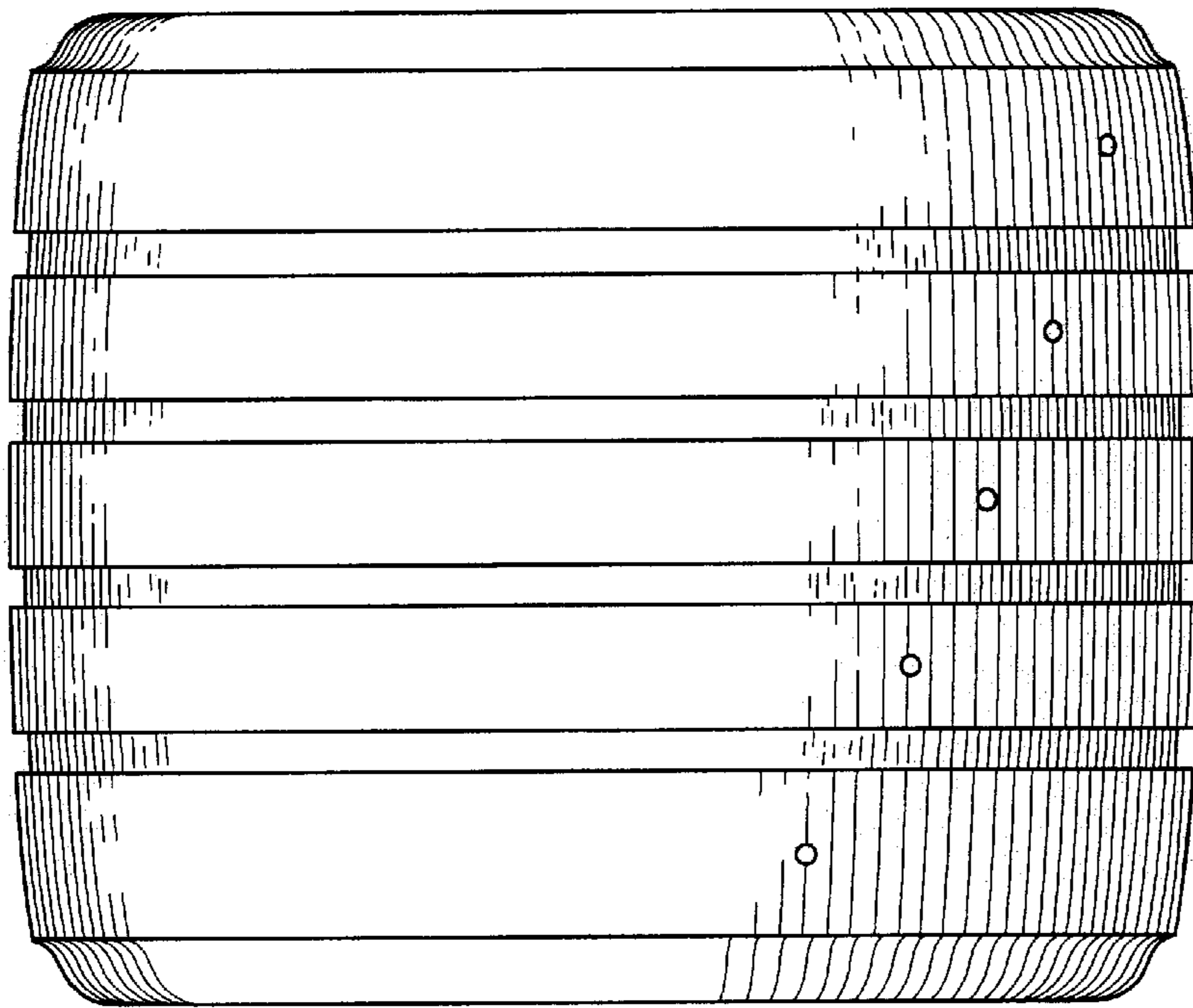


FIG. 4

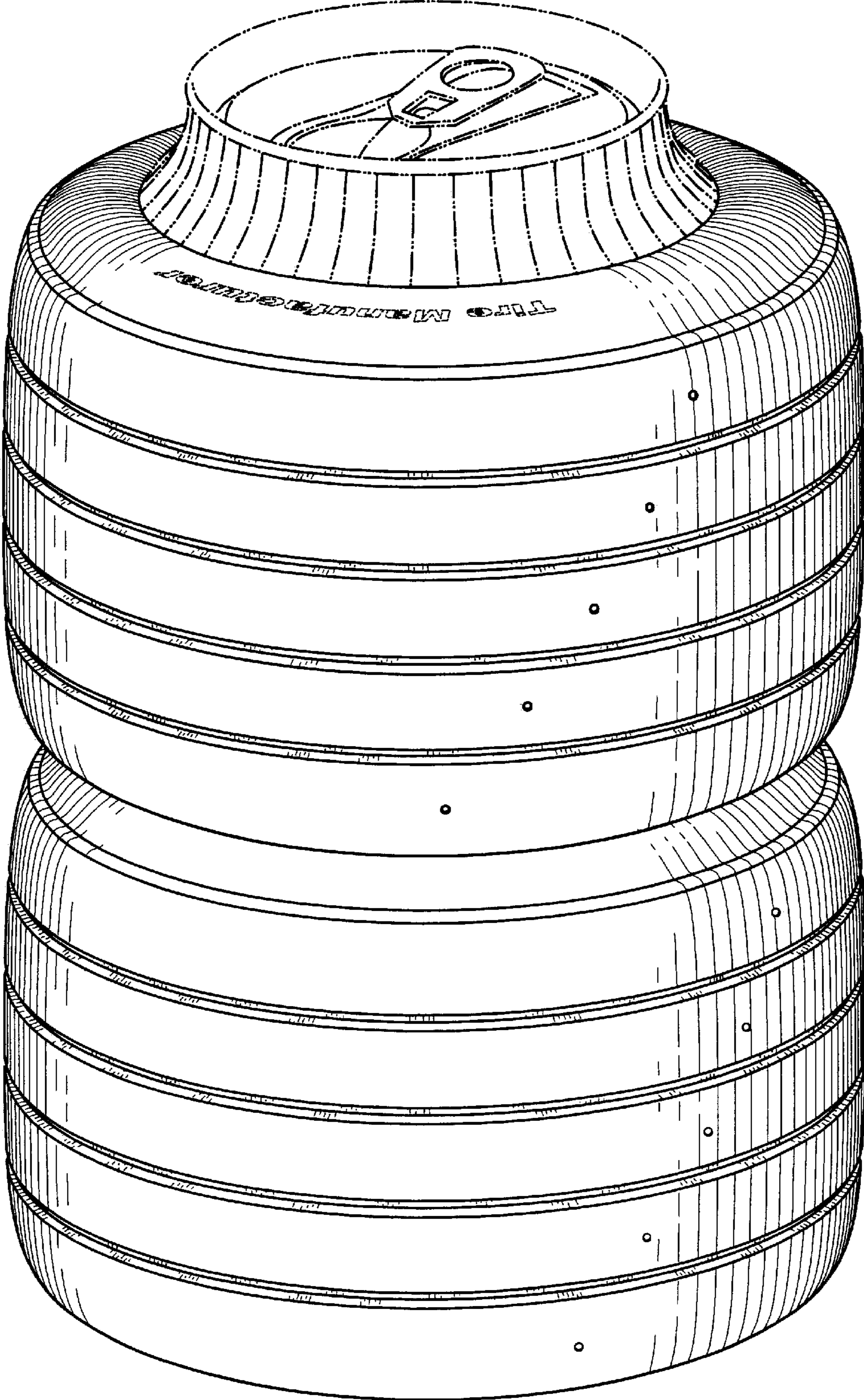


FIG. 5

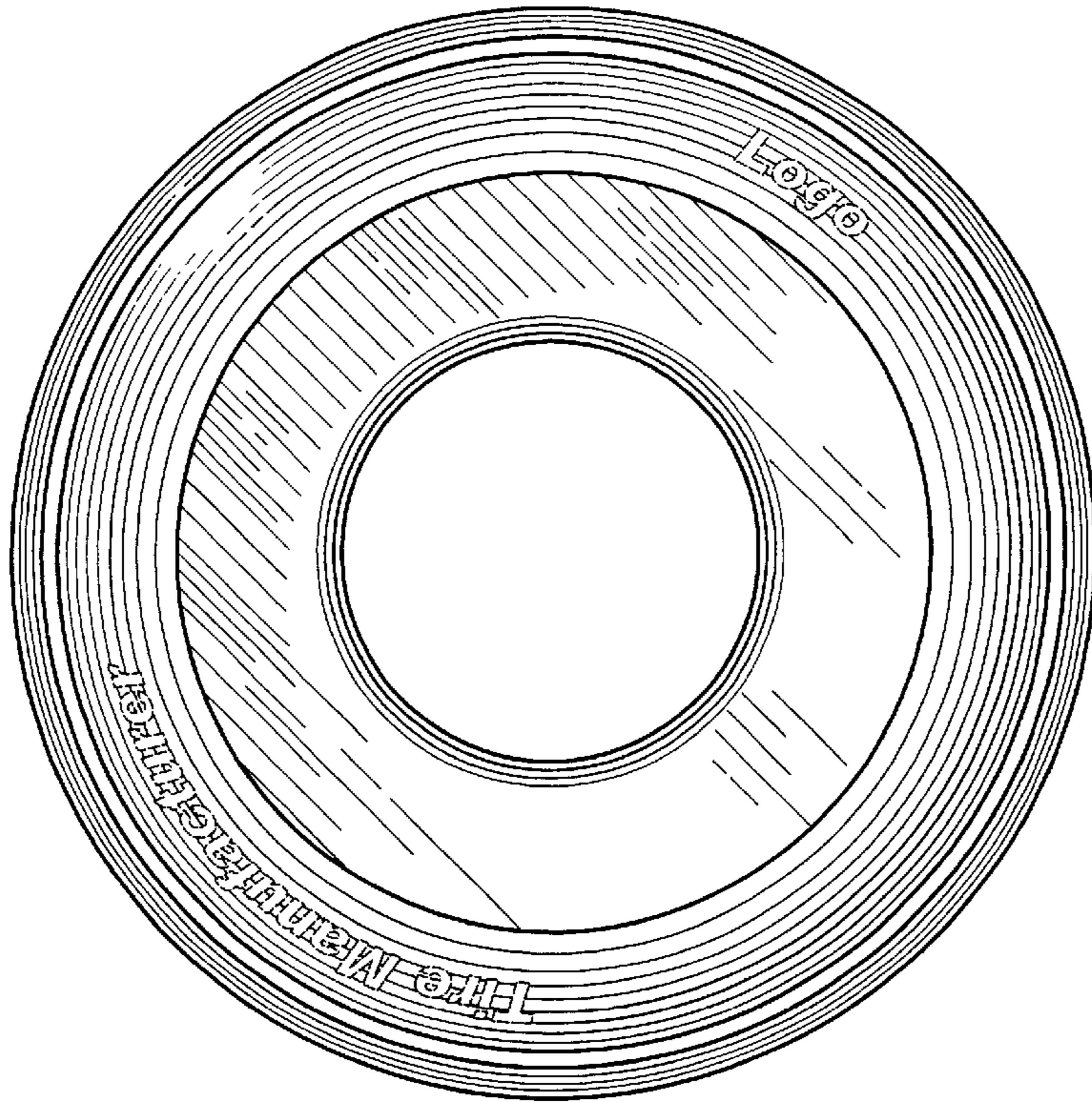


FIG. 6

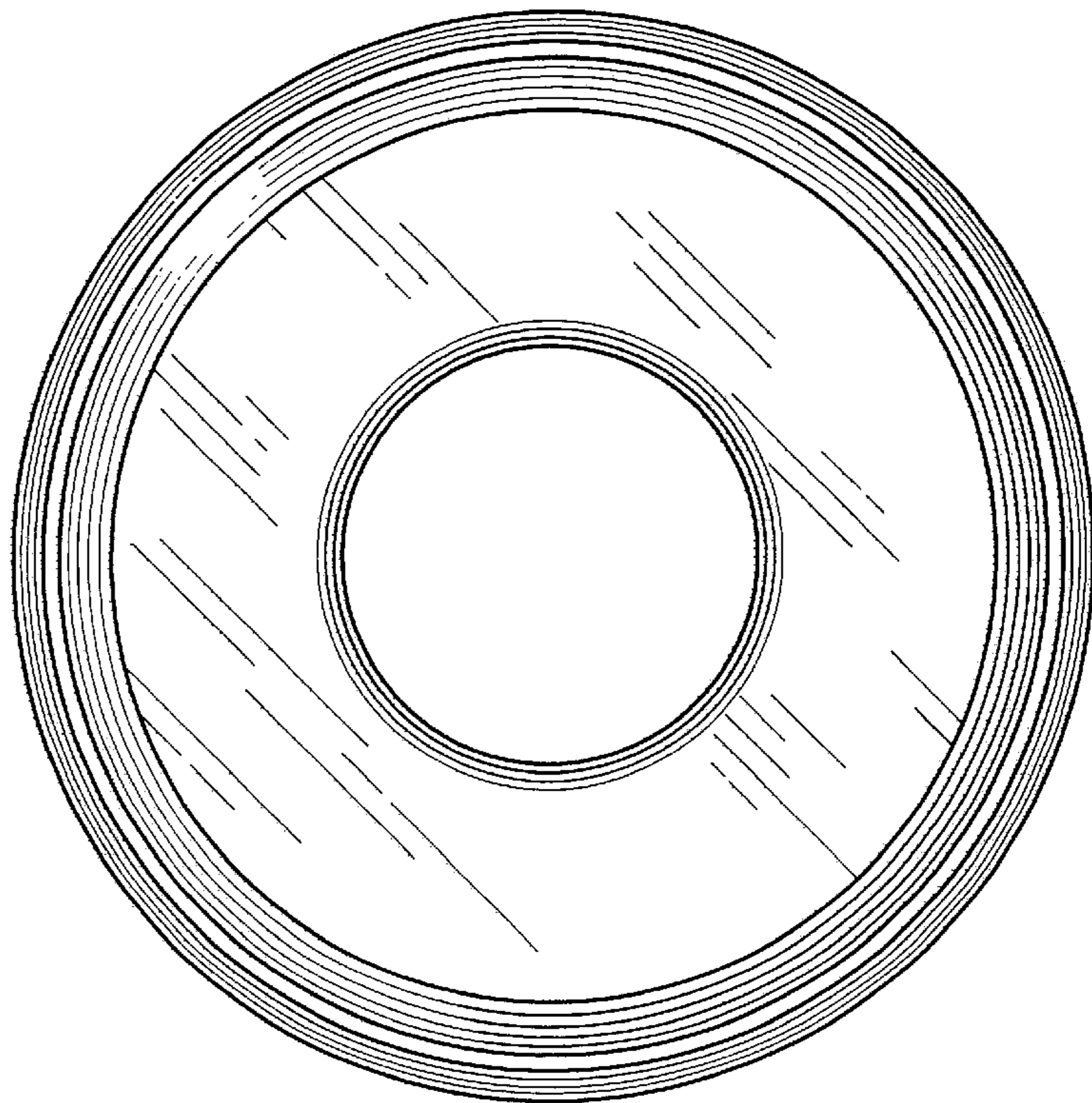


FIG. 7

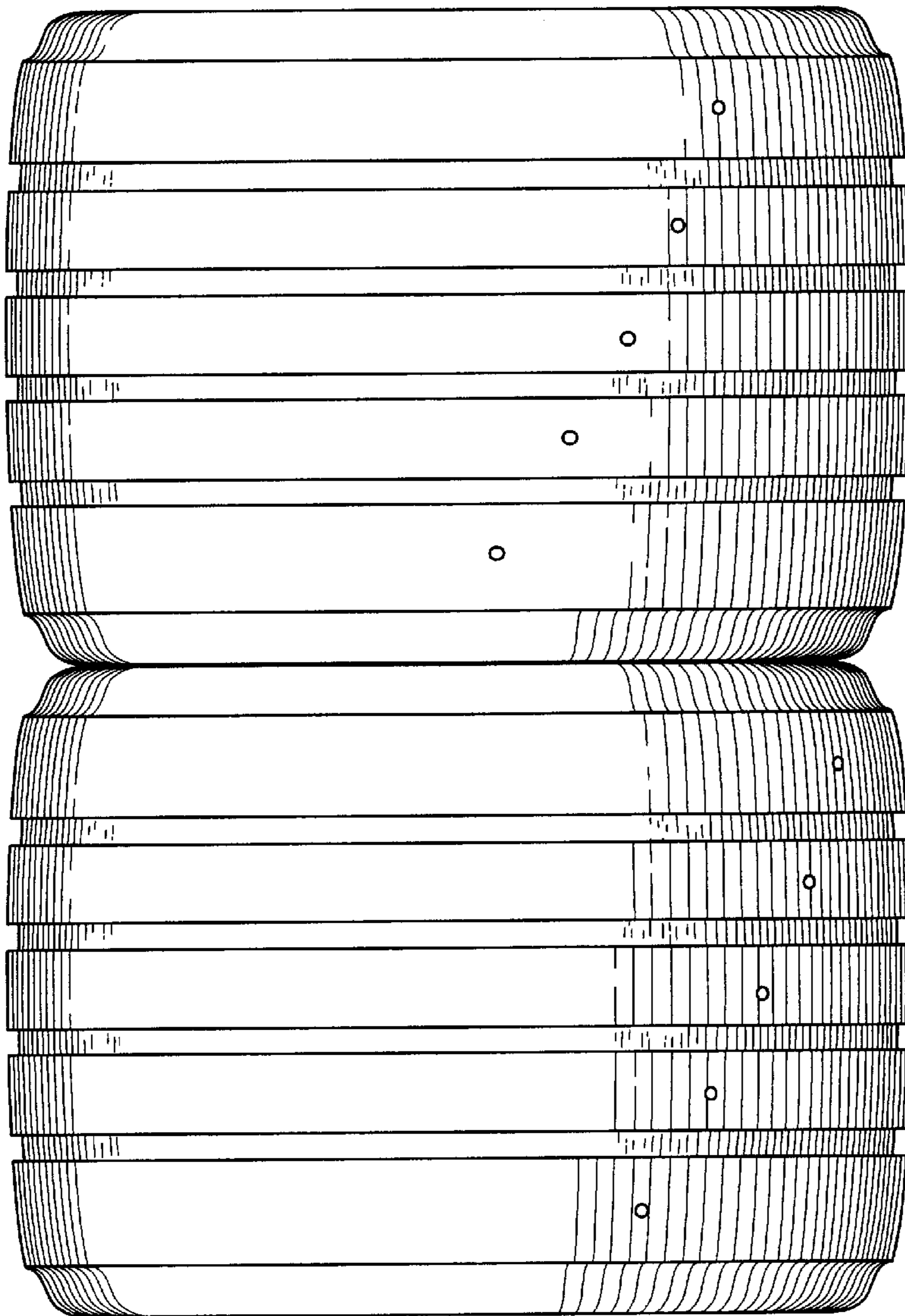


FIG. 8

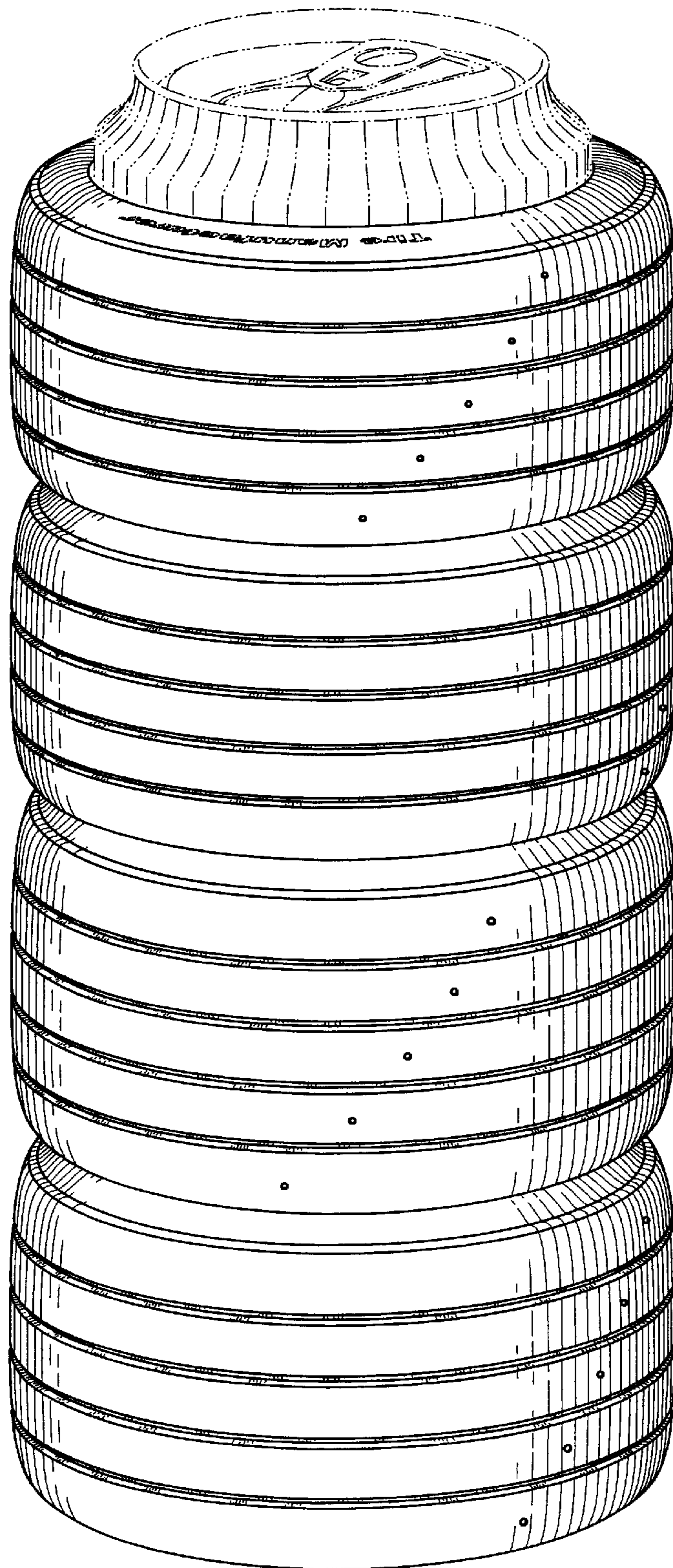


FIG. 9

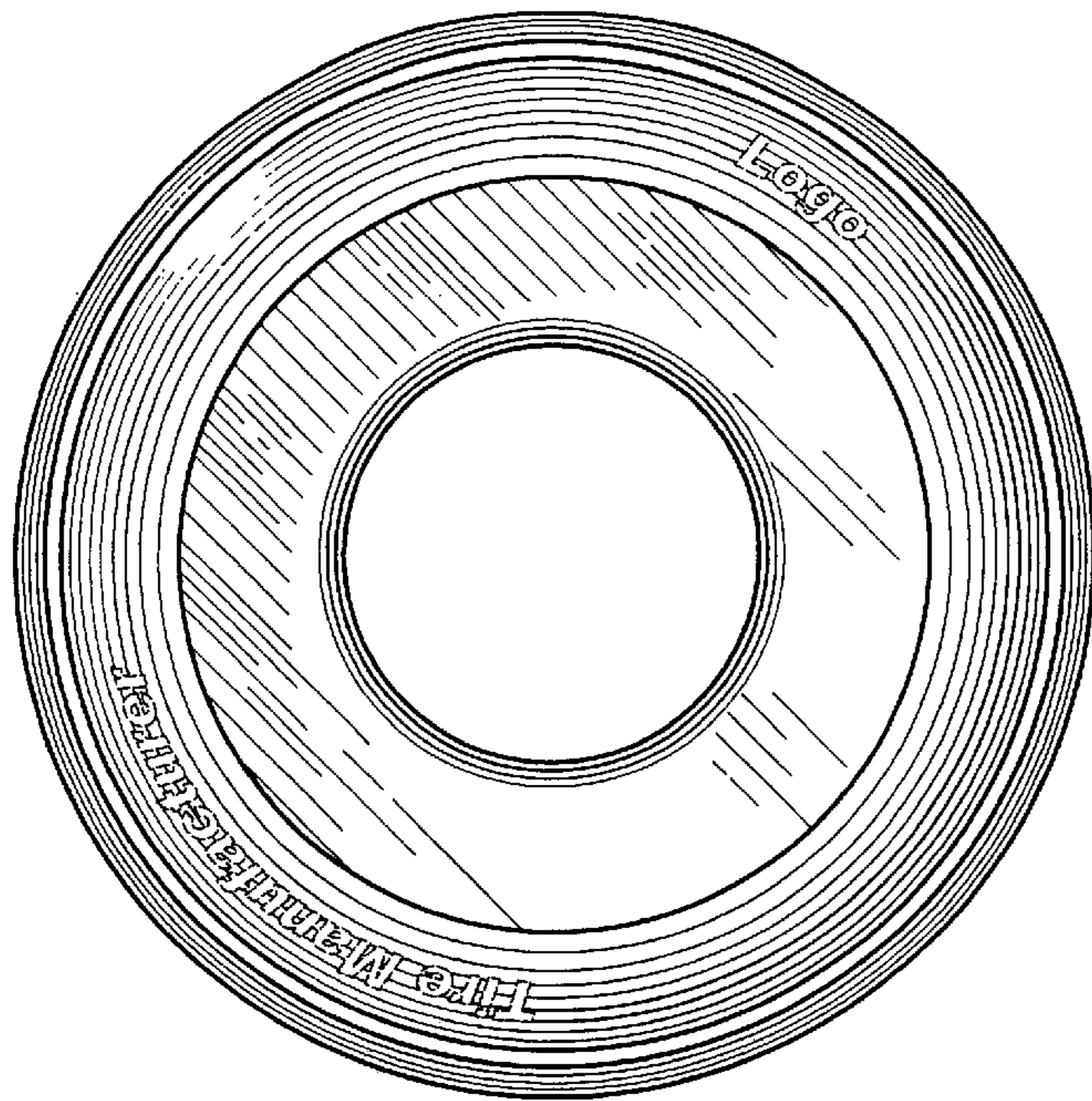


FIG. 10

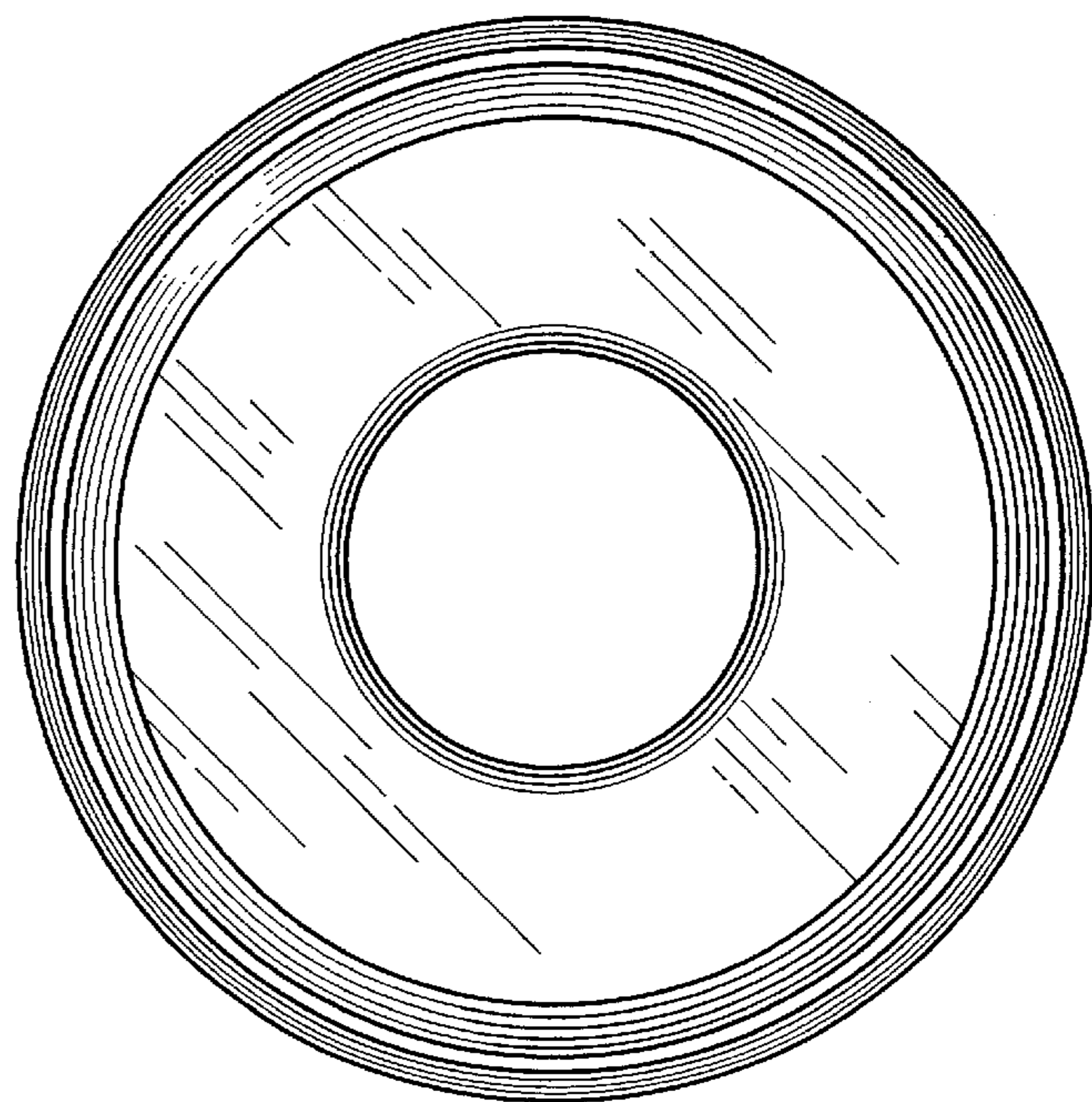


FIG. 11

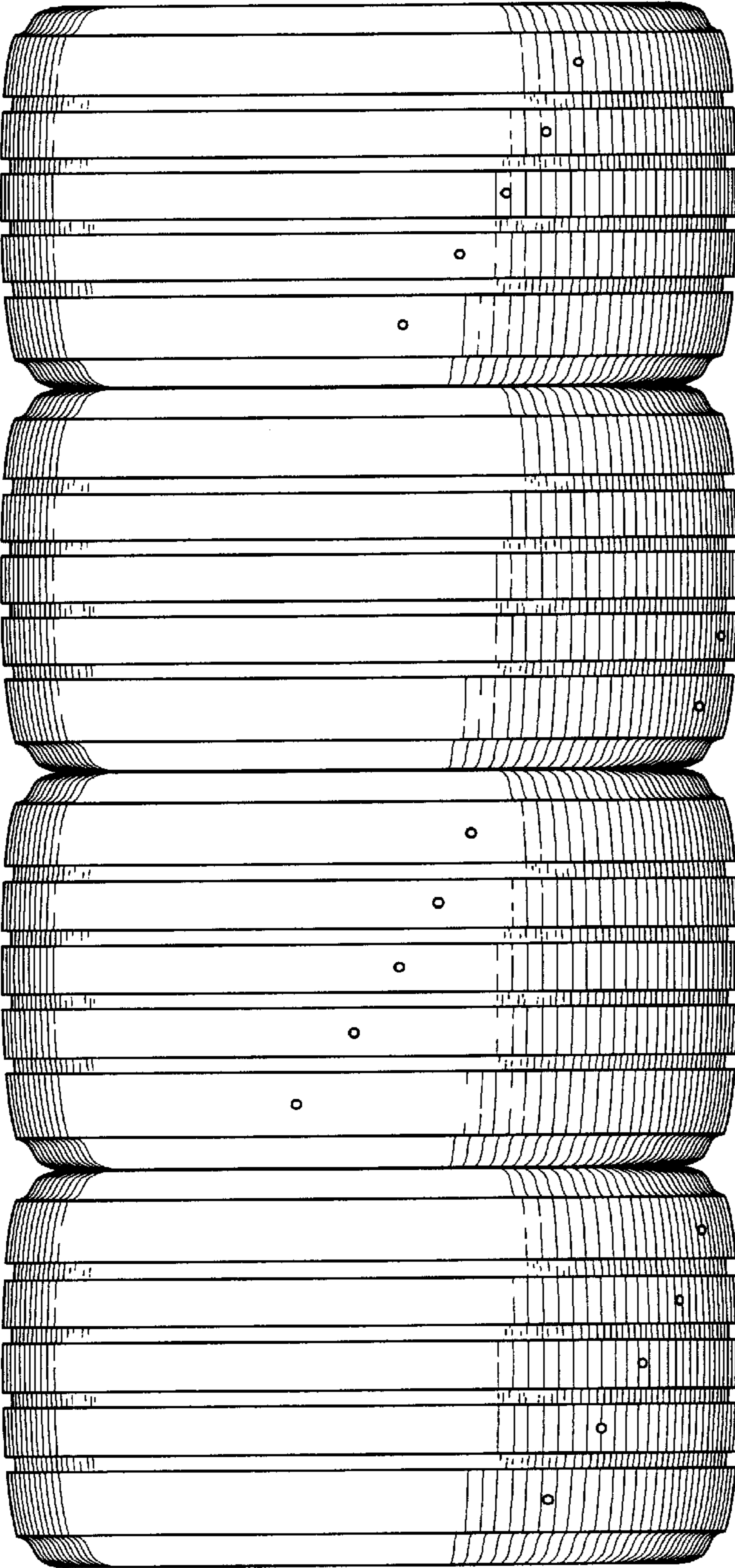


FIG. 12