

US00D498387S

(12) **United States Design Patent**  
**Hojnoski**

(10) **Patent No.:** **US D498,387 S**

(45) **Date of Patent:** **\*\* Nov. 16, 2004**

(54) **BARBEQUE GRILL**

(75) **Inventor:** **David E. Hojnoski**, Ontario (CA)

(73) **Assignee:** **Carime Ltd.**, Smithville (CA)

(\*\*) **Term:** **14 Years**

(21) **Appl. No.:** **29/164,860**

(22) **Filed:** **Aug. 2, 2002**

(30) **Foreign Application Priority Data**

Jul. 18, 2002 (CA) ..... 100125

(51) **LOC (7) Cl.** ..... **07-02**

(52) **U.S. Cl.** ..... **D7/402**

(58) **Field of Search** ..... D7/332, 334, 335,  
D7/336, 337, 402-404; 126/25 R, 25 A,  
25 AA, 41 R, 29-30, 9 R, 38; 99/419 R

(56) **References Cited**

**U.S. PATENT DOCUMENTS**

- 4,930,491 A \* 6/1990 Purello ..... 126/332
- D341,292 S \* 11/1993 Johnston ..... D7/409
- D344,434 S \* 2/1994 Endara ..... D7/409
- D364,535 S \* 11/1995 Moore ..... D7/409
- D364,777 S \* 12/1995 Schlosser et al. .... D7/409

- 5,839,361 A \* 11/1998 Richter ..... 99/422
- 6,267,047 B1 \* 7/2001 Mosher, II et al. .... 99/339
- 6,389,961 B1 \* 5/2002 Wu ..... 99/339

\* cited by examiner

*Primary Examiner*—Ruth McInroy

(74) *Attorney, Agent, or Firm*—Ingrid E. Schmidt

(57) **CLAIM**

I claim the ornamental design for a barbecue grill, as shown and described.

**DESCRIPTION**

FIG. 1 is a top perspective view of a barbecue grill showing my new design;

FIG. 2 is a bottom perspective view thereof;

FIG. 3 is a front elevation view thereof;

FIG. 4 is a top plan view thereof;

FIG. 5 is a back elevation view thereof;

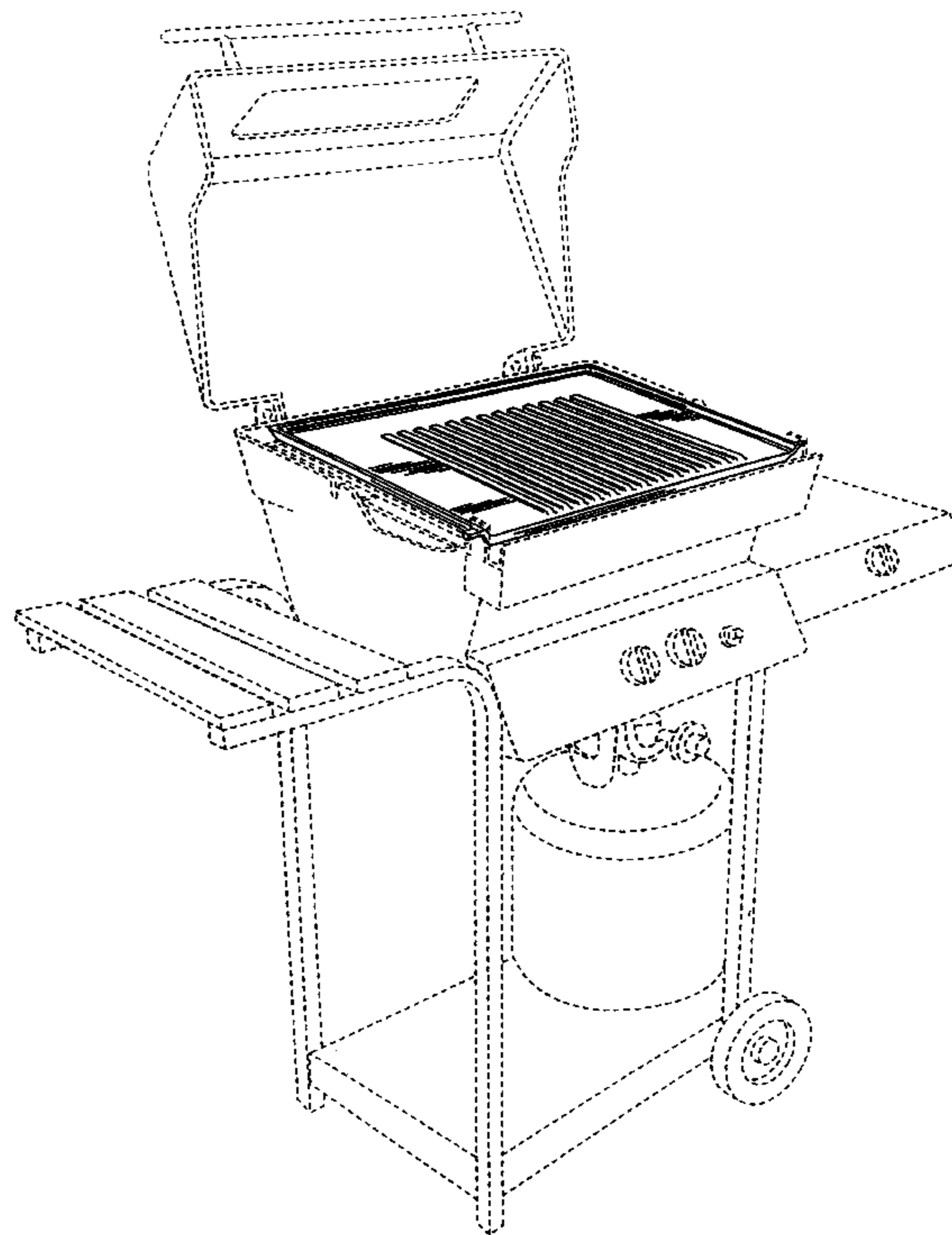
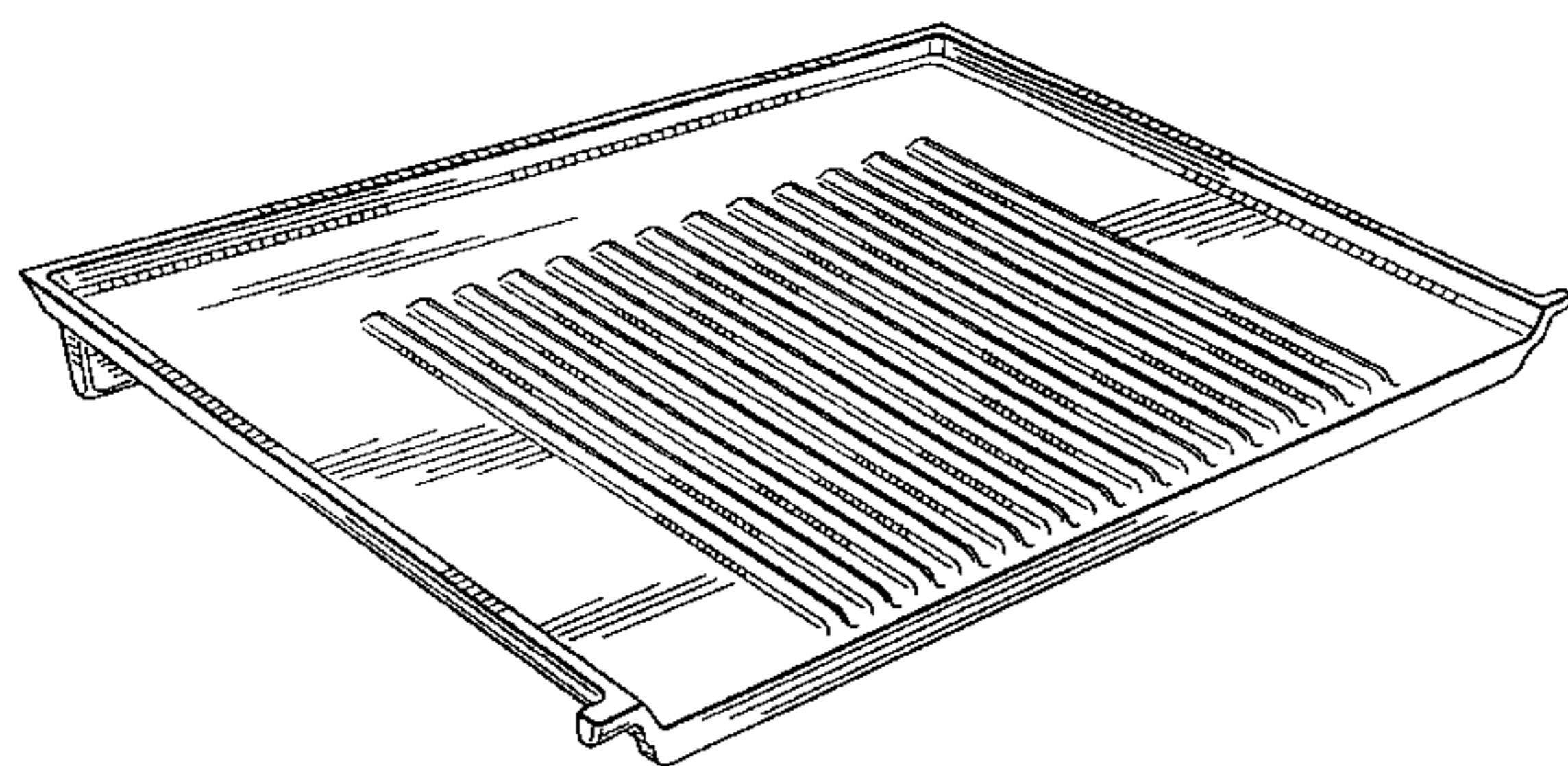
FIG. 6 is a bottom plan view;

FIG. 7 is a left side elevation view;

FIG. 8 is a right side elevation view; and,

FIG. 9 is a perspective view thereof, the portions of the barbecue assembly shown in broken lines are for illustrative purposes only and form no part of the claimed design.

**1 Claim, 4 Drawing Sheets**



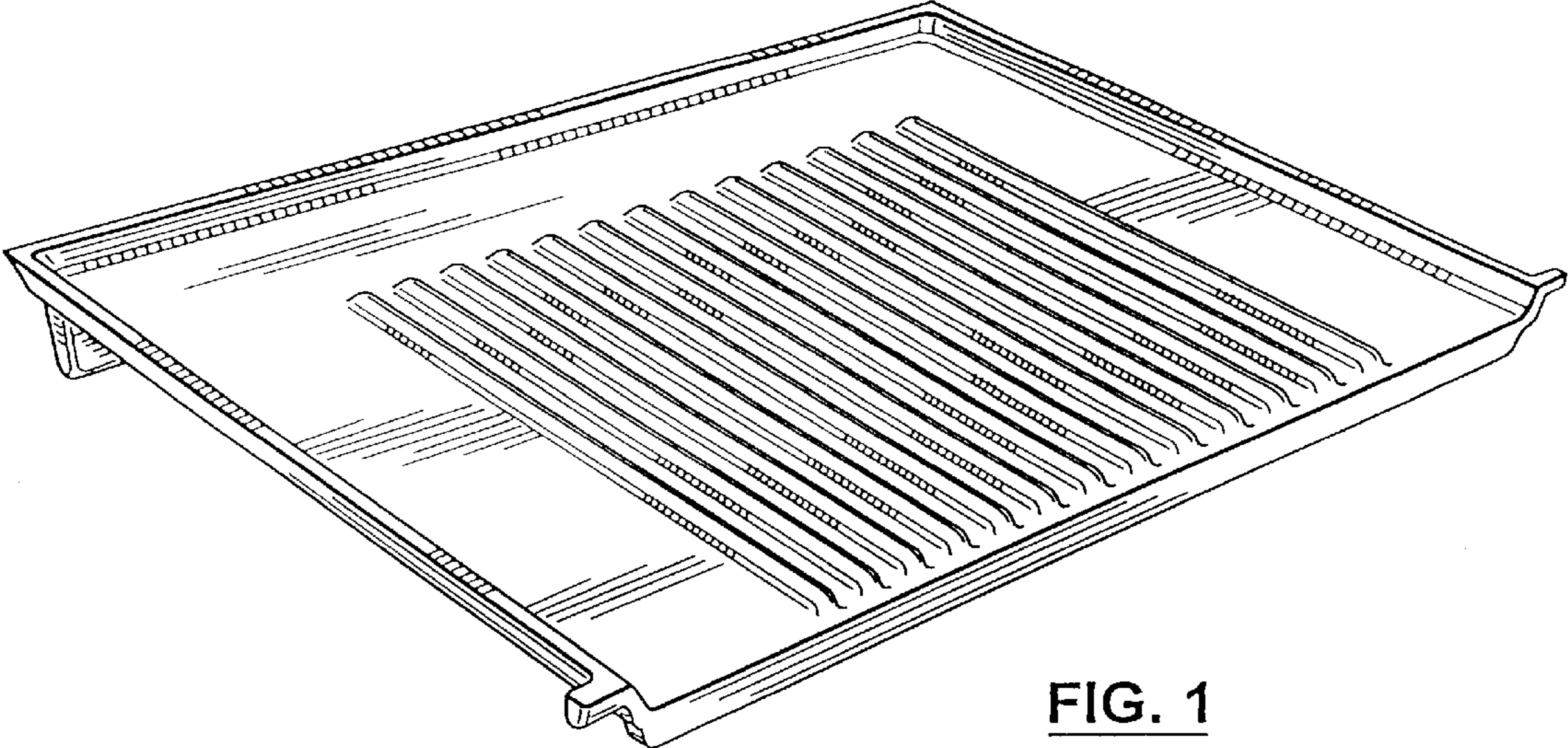


FIG. 1

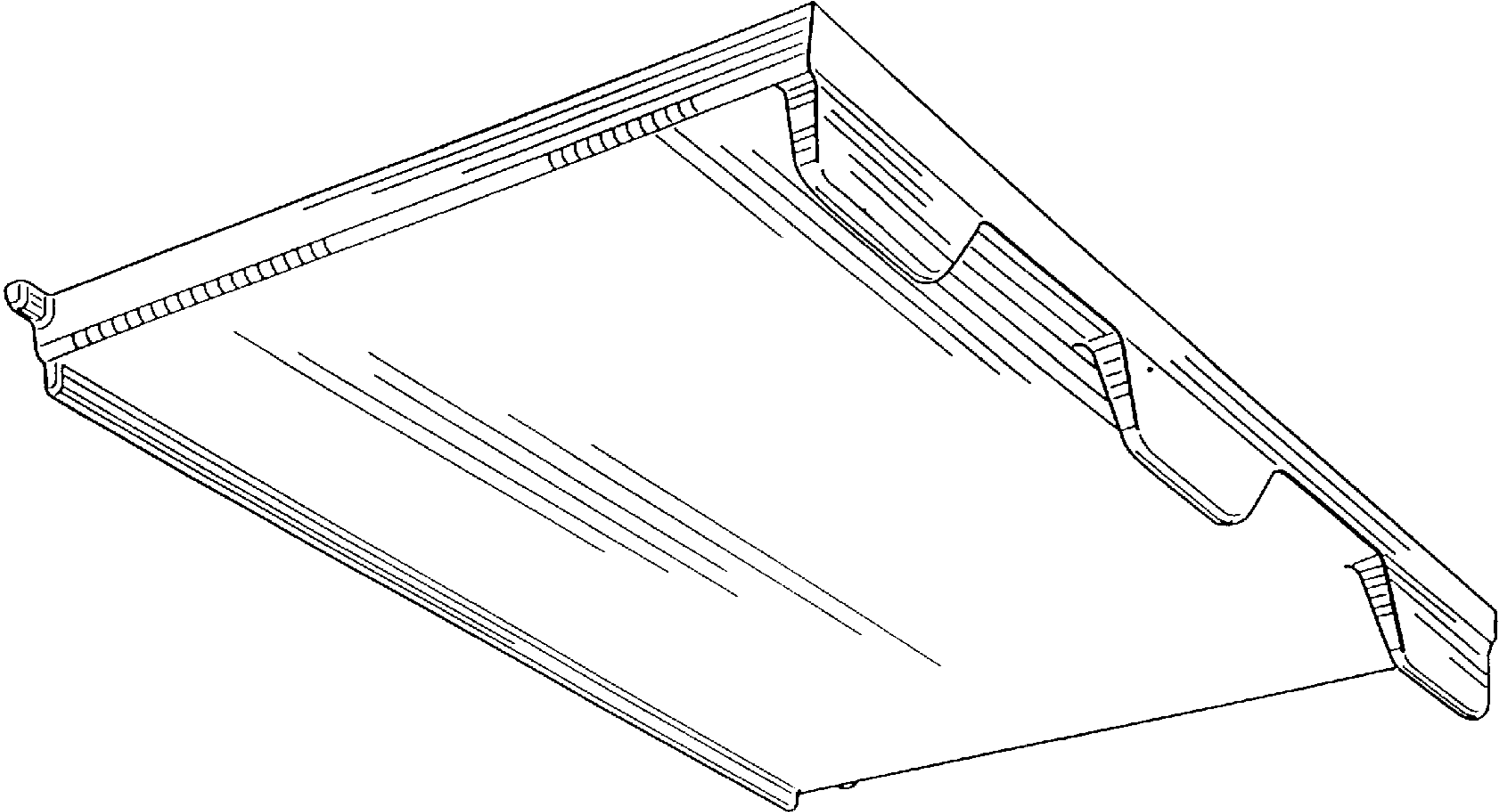
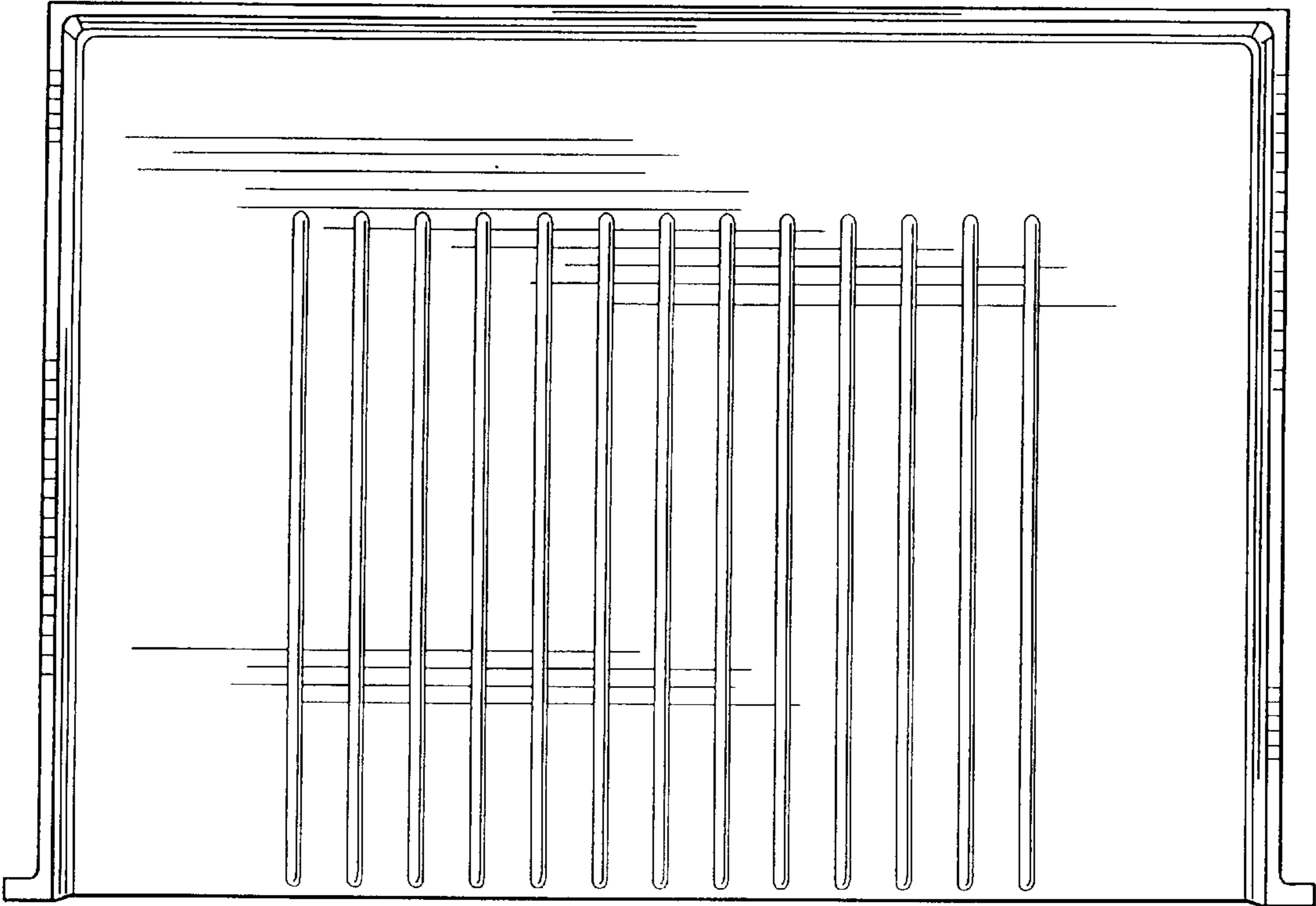


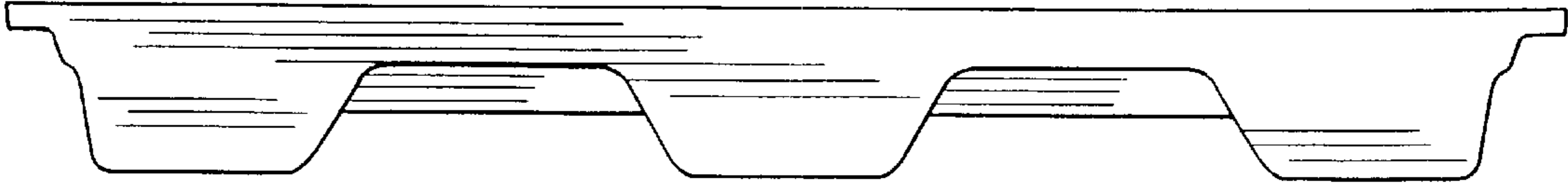
FIG. 2



**FIG. 3**



**FIG. 4**



**FIG. 5**

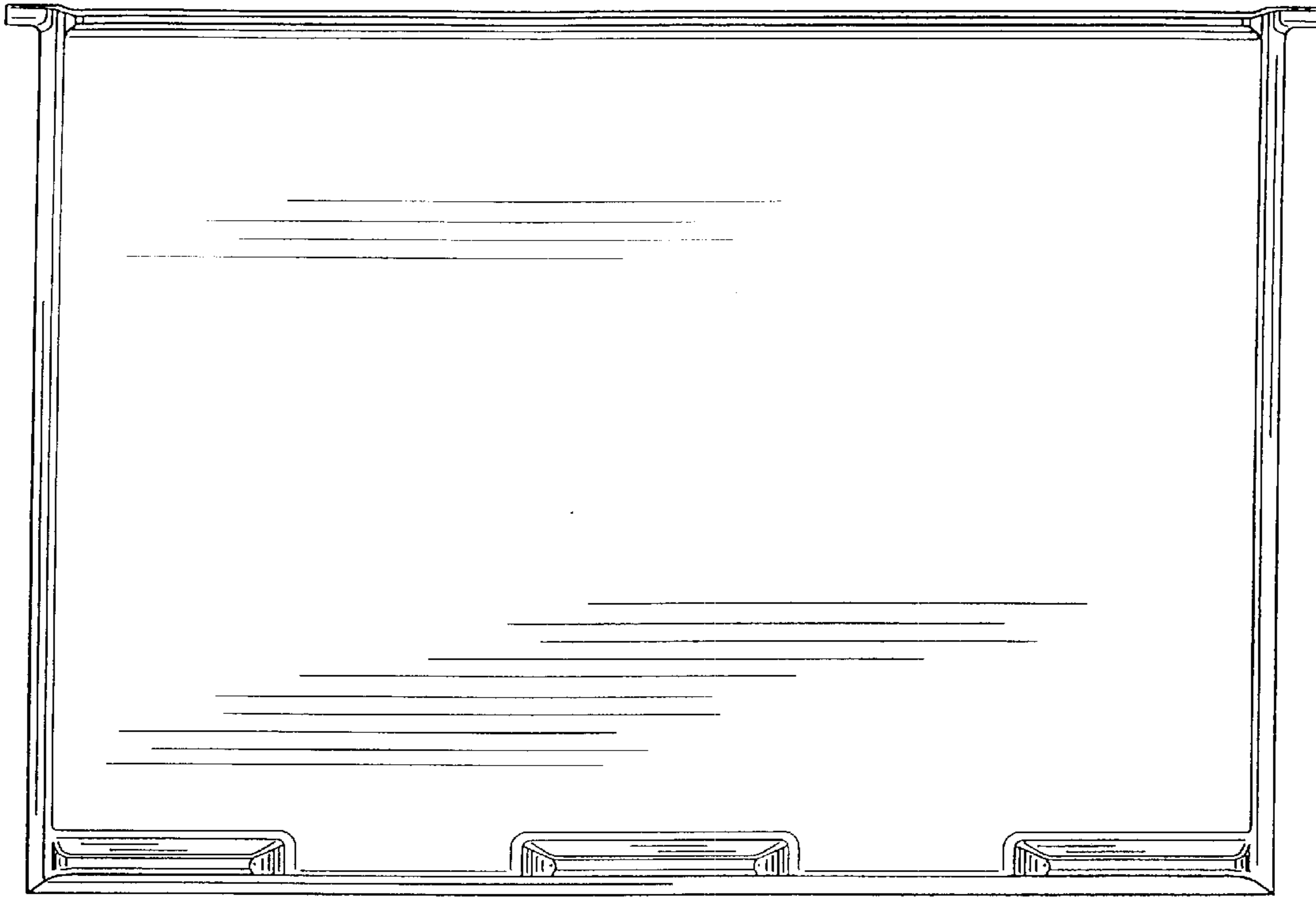


FIG. 6

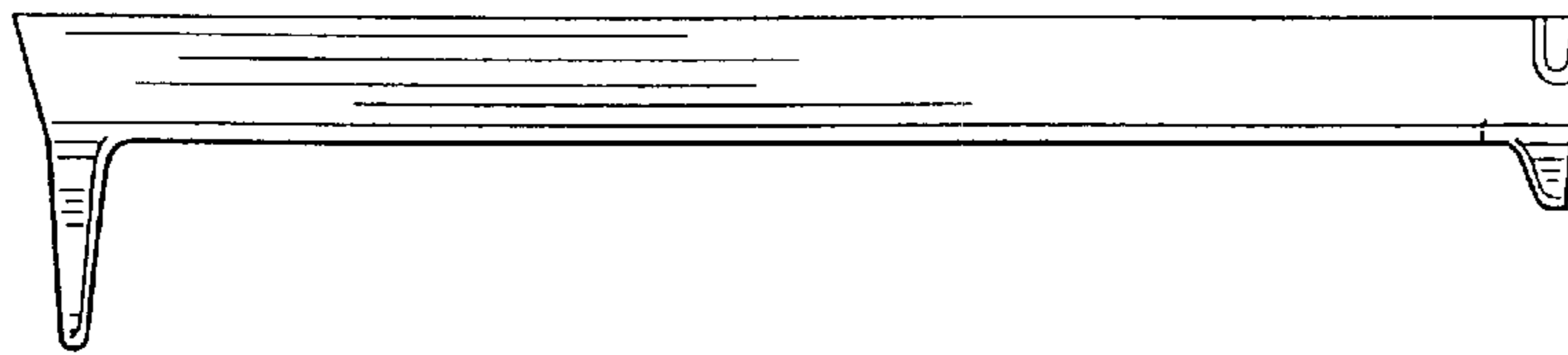


FIG. 7

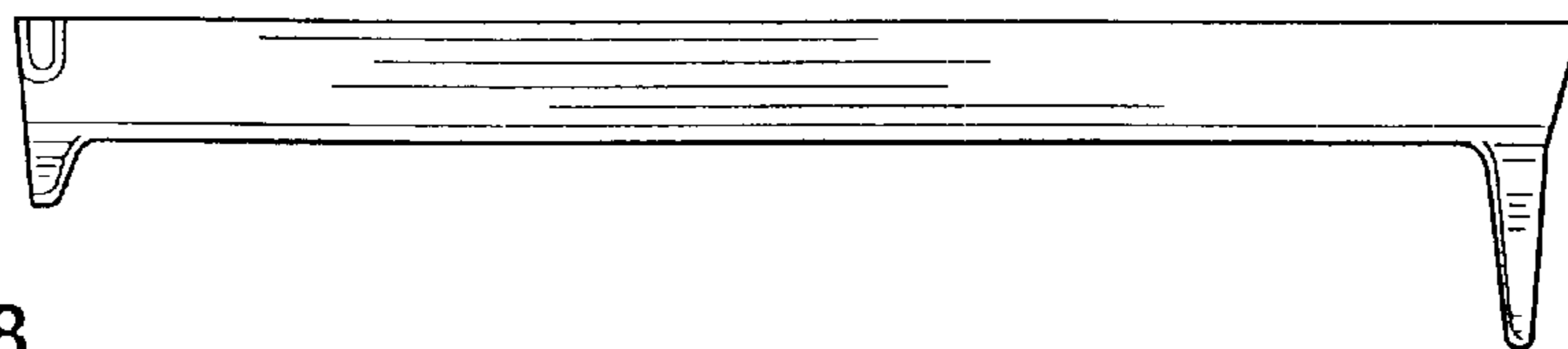
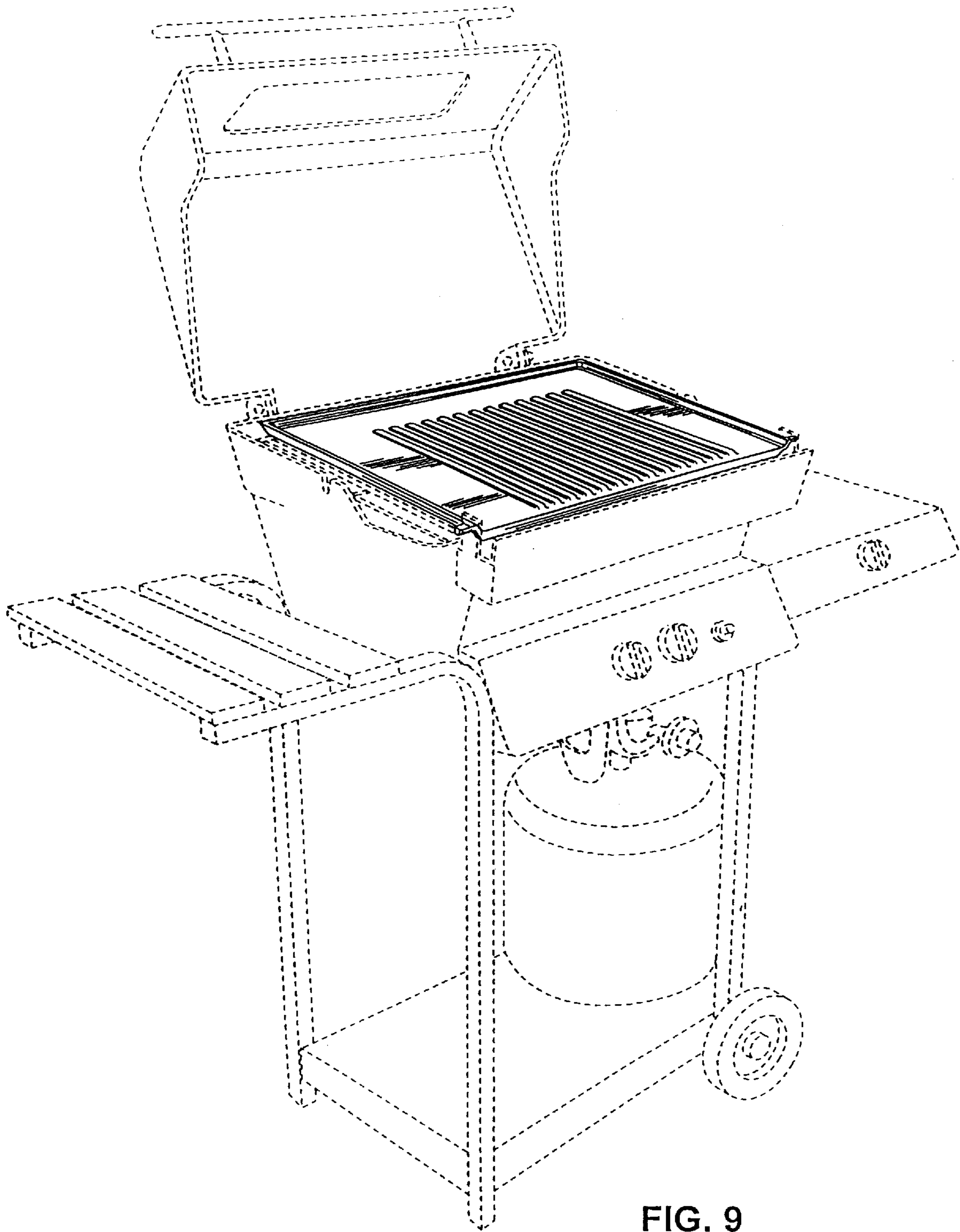


FIG. 8



**FIG. 9**