



US00D498380S

(12) **United States Design Patent**  
**Wu**

(10) **Patent No.:** **US D498,380 S**

(45) **Date of Patent:** **\*\* Nov. 16, 2004**

(54) **TOWEL HANGER BASE**

D478,755 S \* 8/2003 Moore ..... D6/524  
D482,917 S \* 12/2003 Chen ..... D6/524

(75) **Inventor:** **Shin-Wang Wu**, Taipei (TW)

\* cited by examiner

(73) **Assignee:** **Penta Hardware Co., Ltd.**, Taipei (TW)

*Primary Examiner*—Brian N Vinson

(\*\*) **Term:** **14 Years**

(57) **CLAIM**

(21) **Appl. No.:** **29/202,615**

The ornamental design for towel hanger base, as shown and described.

(22) **Filed:** **Apr. 2, 2004**

(51) **LOC (7) Cl.** ..... **23-02**

(52) **U.S. Cl.** ..... **D6/524**

(58) **Field of Search** ..... D6/546–550, 518–519,  
D6/522–524; D8/300, 303, 315–321, 354,  
363, 373, 380; 108/28–29; 211/13.1, 16,  
60.1, 86.01, 87.01, 88.01, 88.04, 100, 105.1–105.2,  
123, 126.1, 133.6, 134, 181.1, 182; 248/175,  
176.1, 200, 251, 302, 309.1; 16/110.1,  
412, 415; 242/570, 590, 595–598; 206/389,  
557

**DESCRIPTION**

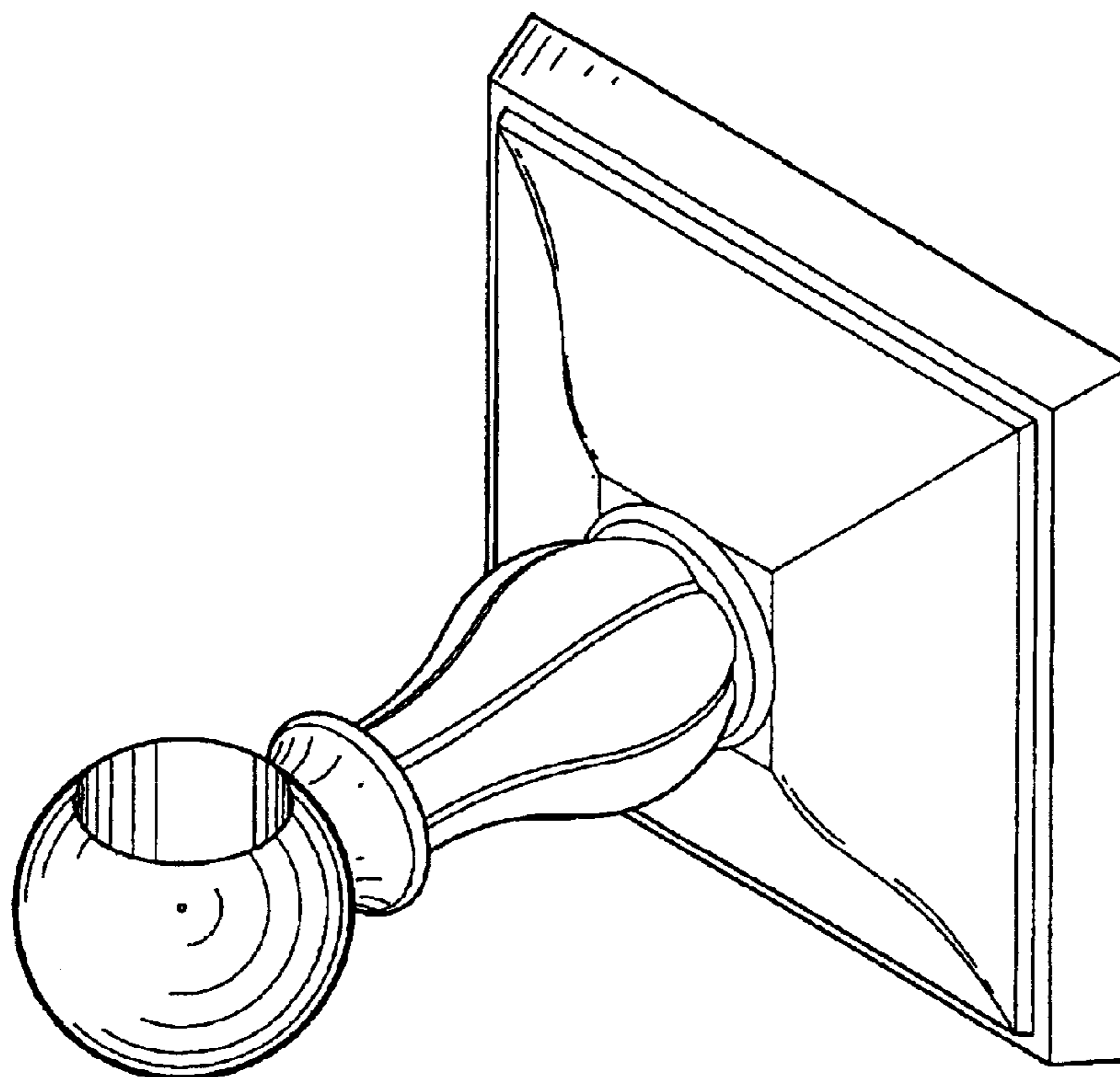
FIG. 1 is a perspective view thereof;  
FIG. 2 is a front view thereof;  
FIG. 3 is a back view thereof;  
FIG. 4 is a left side view thereof;  
FIG. 5 is a right side view thereof;  
FIG. 6 is a top view thereof; and,  
FIG. 7 is a bottom view thereof.

(56) **References Cited**

**U.S. PATENT DOCUMENTS**

D476,181 S \* 6/2003 Yeh ..... D6/524

**1 Claim, 4 Drawing Sheets**



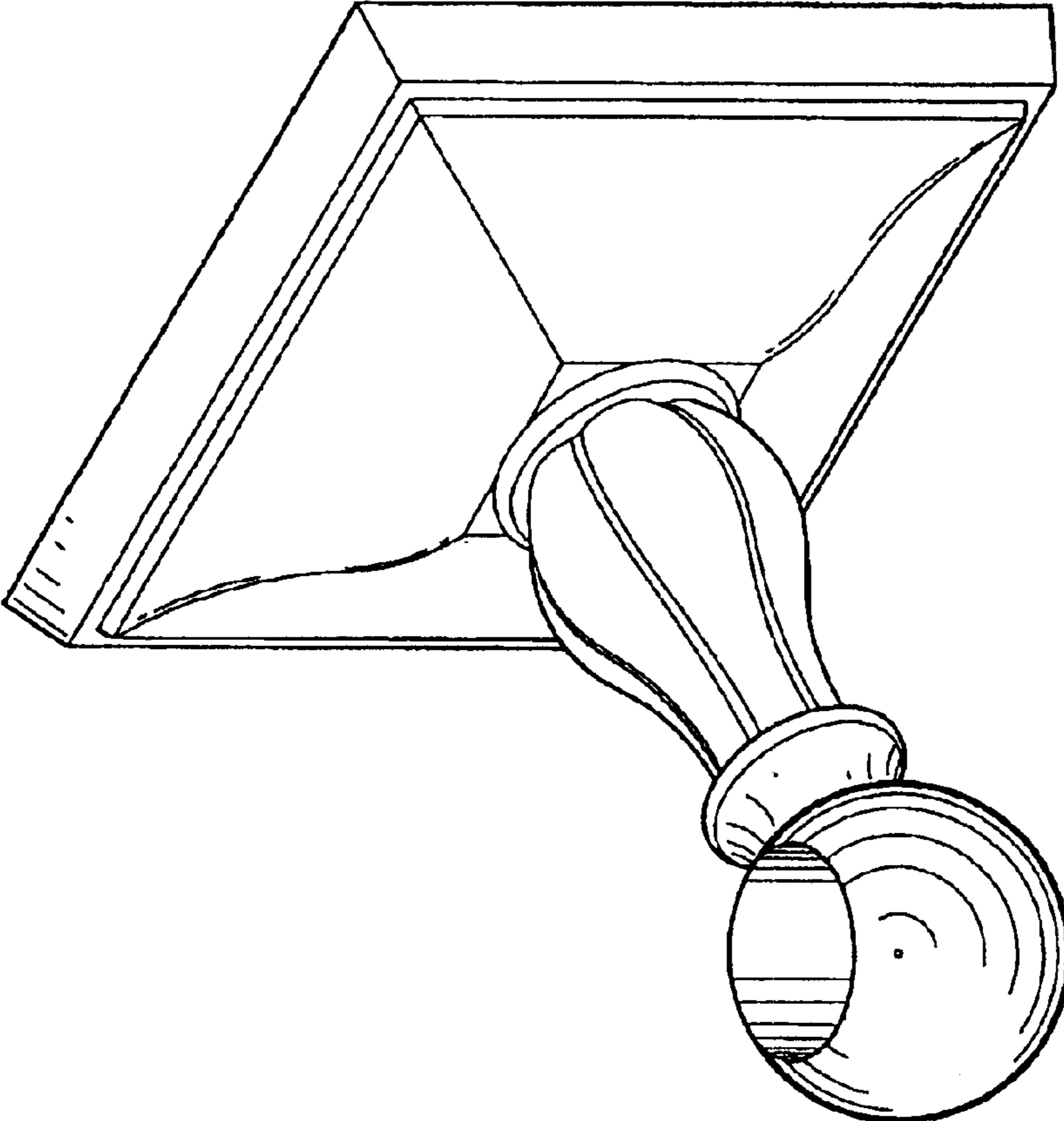


Fig. 1

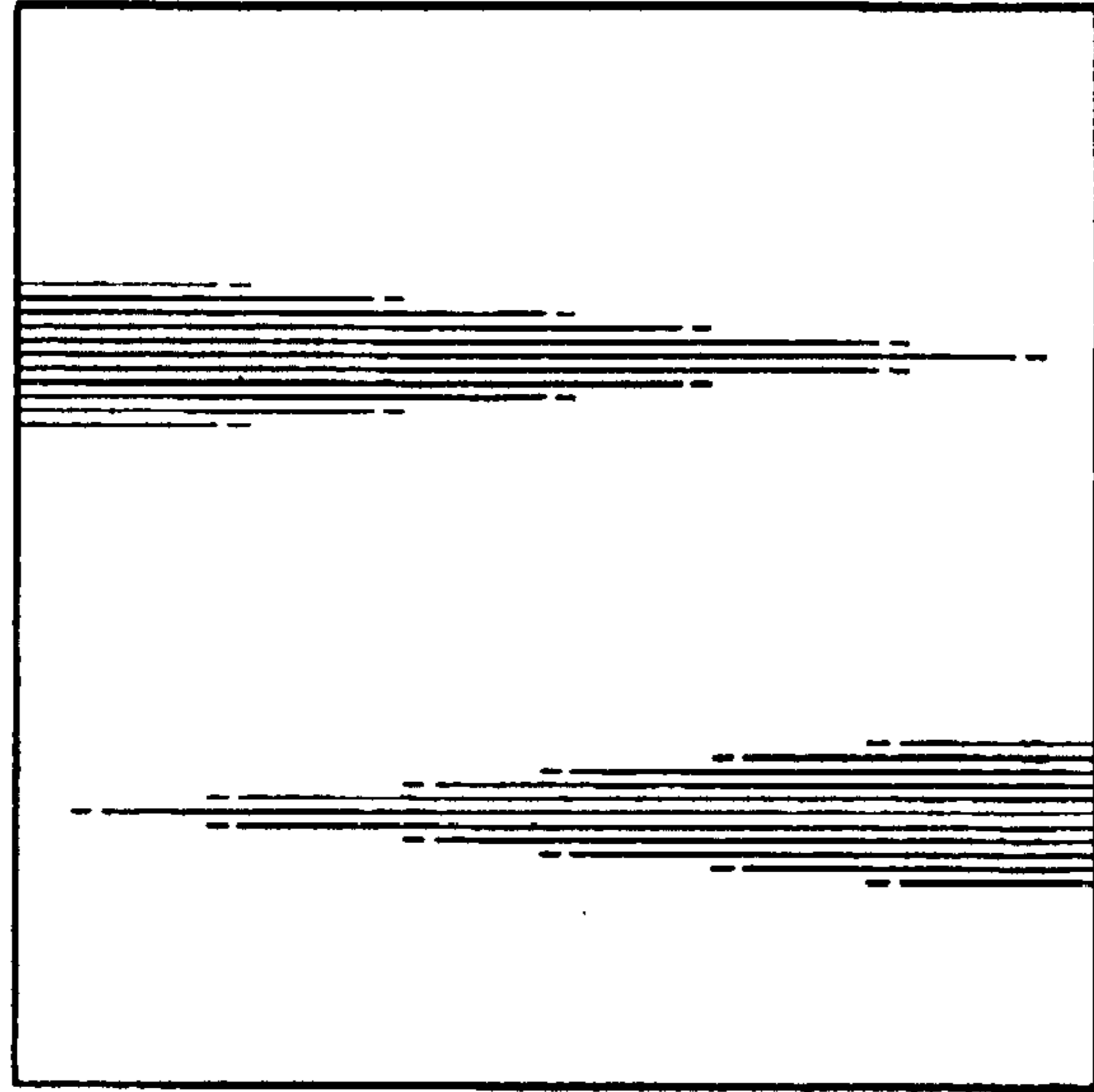


Fig. 3

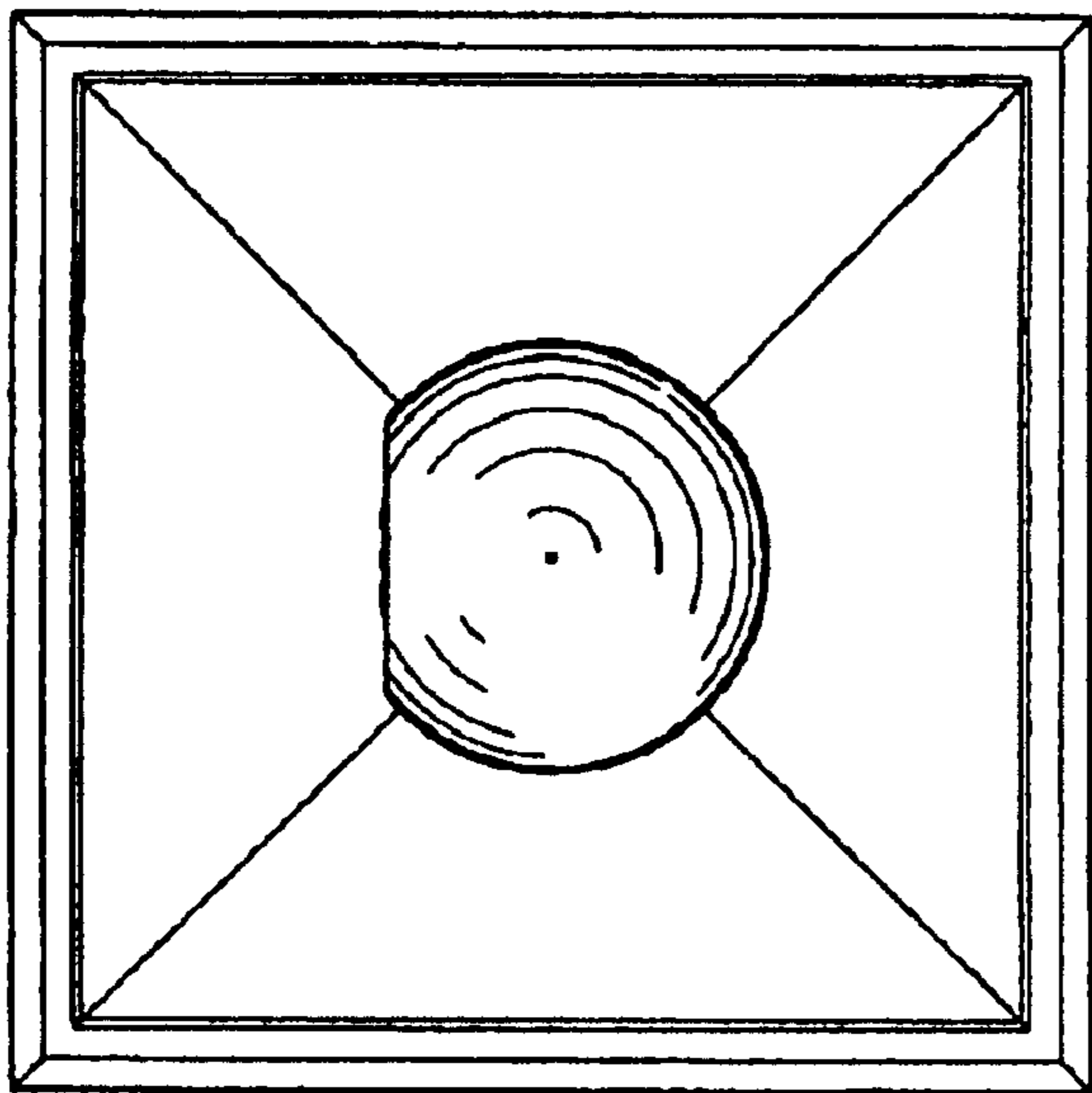


Fig. 2

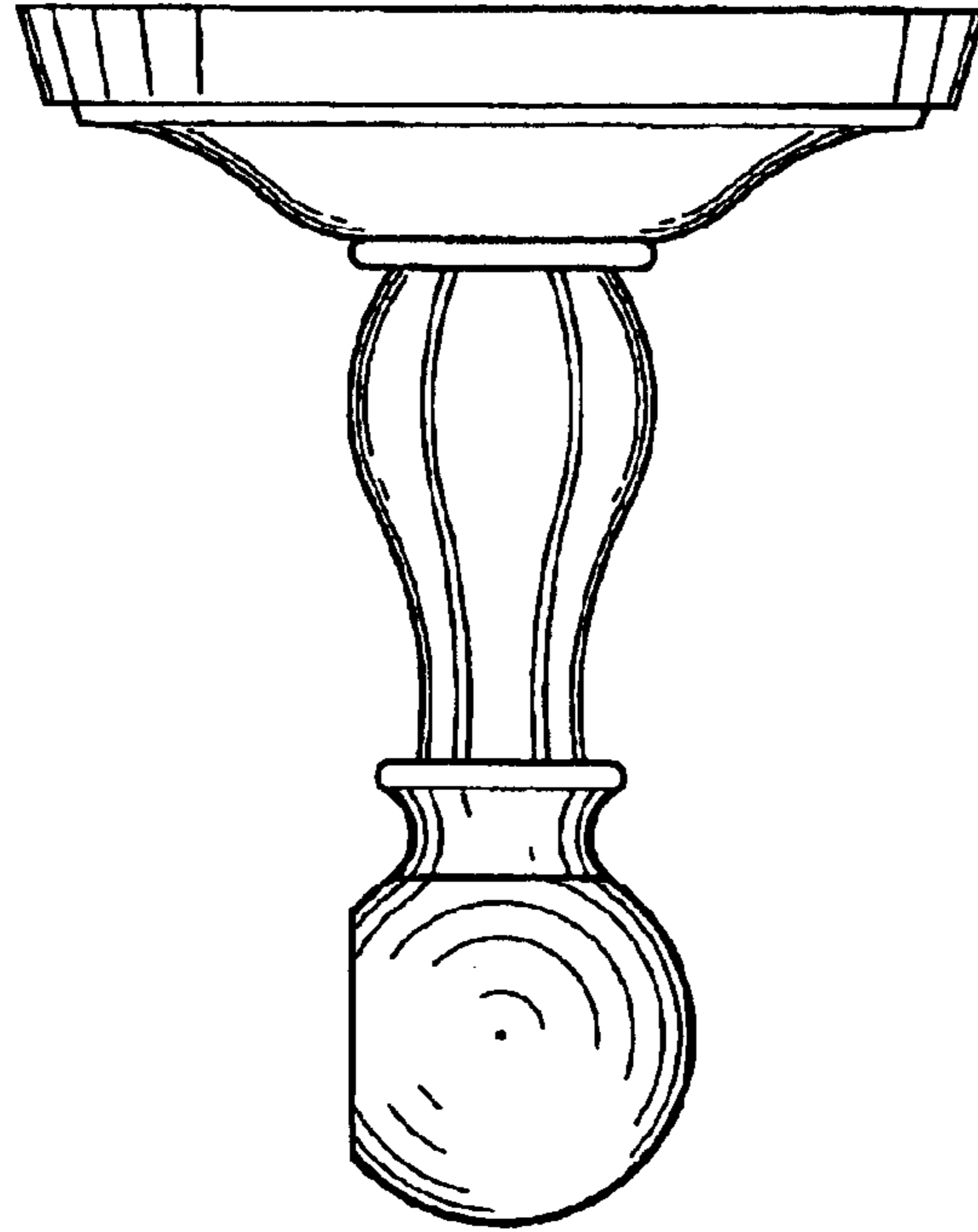


Fig. 5

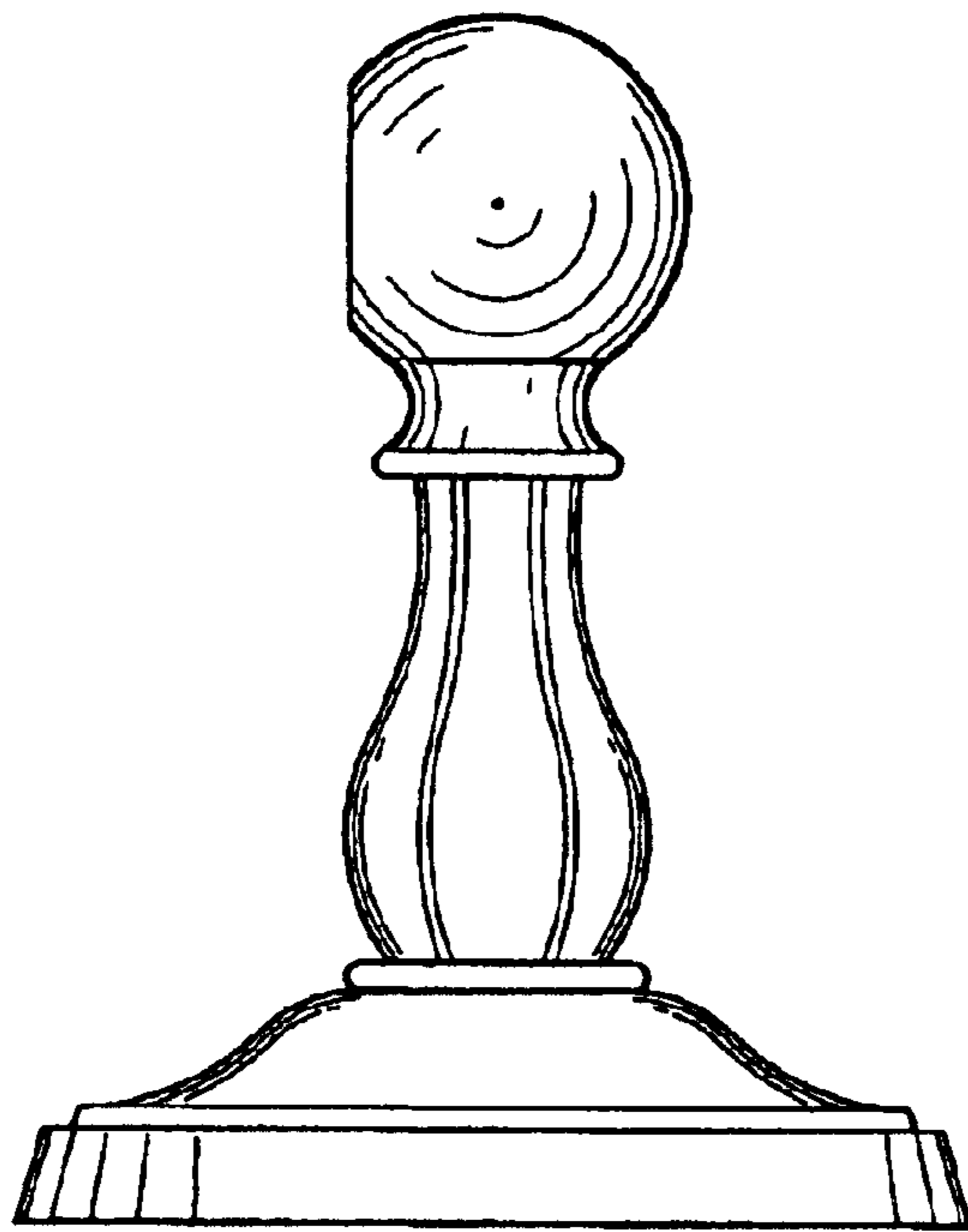


Fig. 4

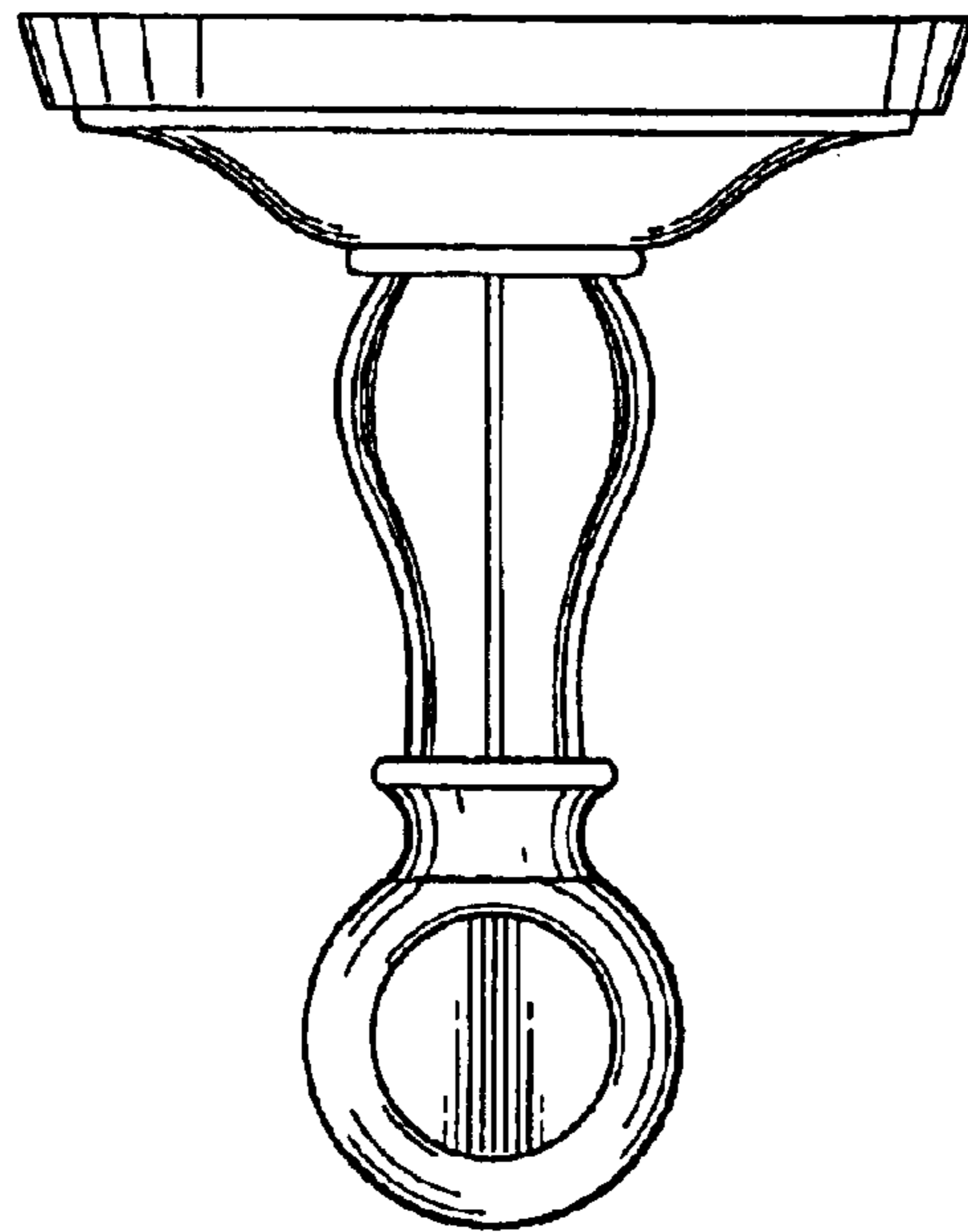


Fig. 6

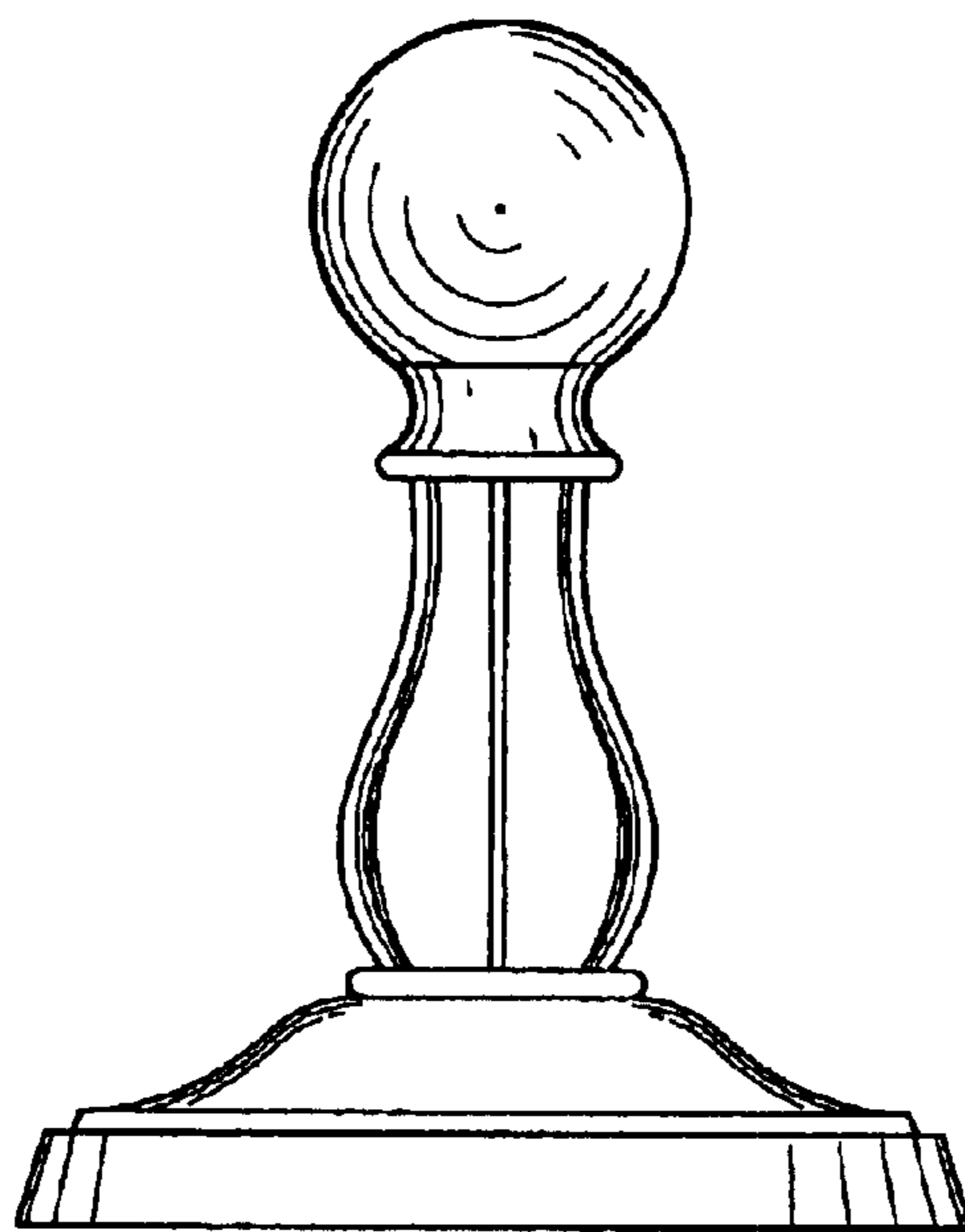


Fig. 7