



US00D498377S

(12) **United States Design Patent**  
**Pan**

(10) **Patent No.:** **US D498,377 S**

(45) **Date of Patent:** **\*\* Nov. 16, 2004**

(54) **WALL MOUNT BRACKET FOR BATHROOMS**

D409,032 S \* 5/1999 Kuo ..... D6/550  
D425,348 S \* 5/2000 Chen ..... D6/524  
D431,139 S \* 9/2000 Chen ..... D6/524

(76) **Inventor:** **Chin-Chi Pan**, No. 99, Sec. 3, Chang Tsao Rd., Ho Me Chen, Changhua Hsien (TW)

\* cited by examiner

*Primary Examiner*—Brian N Vinson

(74) *Attorney, Agent, or Firm*—Bacon & Thomas, PLLC

(\*\*) **Term:** **14 Years**

(57) **CLAIM**

(21) **Appl. No.:** **29/196,701**

The ornamental design of a wall mount bracket for bathrooms, as shown and described.

(22) **Filed:** **Jan. 5, 2004**

**DESCRIPTION**

(51) **LOC (7) Cl.** ..... **23-02**

(52) **U.S. Cl.** ..... **D6/524**

(58) **Field of Search** ..... D6/546–550, 518–519, D6/522–524; D8/300, 303, 315–321, 354, 363, 373, 380; 108/28–29; 211/100, 105.1–105.2, 123, 126.1, 133.6, 134, 181.1, 182, 13.1, 16, 60.1, 86.01, 87.01, 88.01, 88.04; 248/175, 176.1, 200, 251, 302, 309.1; 16/110.1, 412, 415; 242/570, 590, 595–598; 206/389, 557

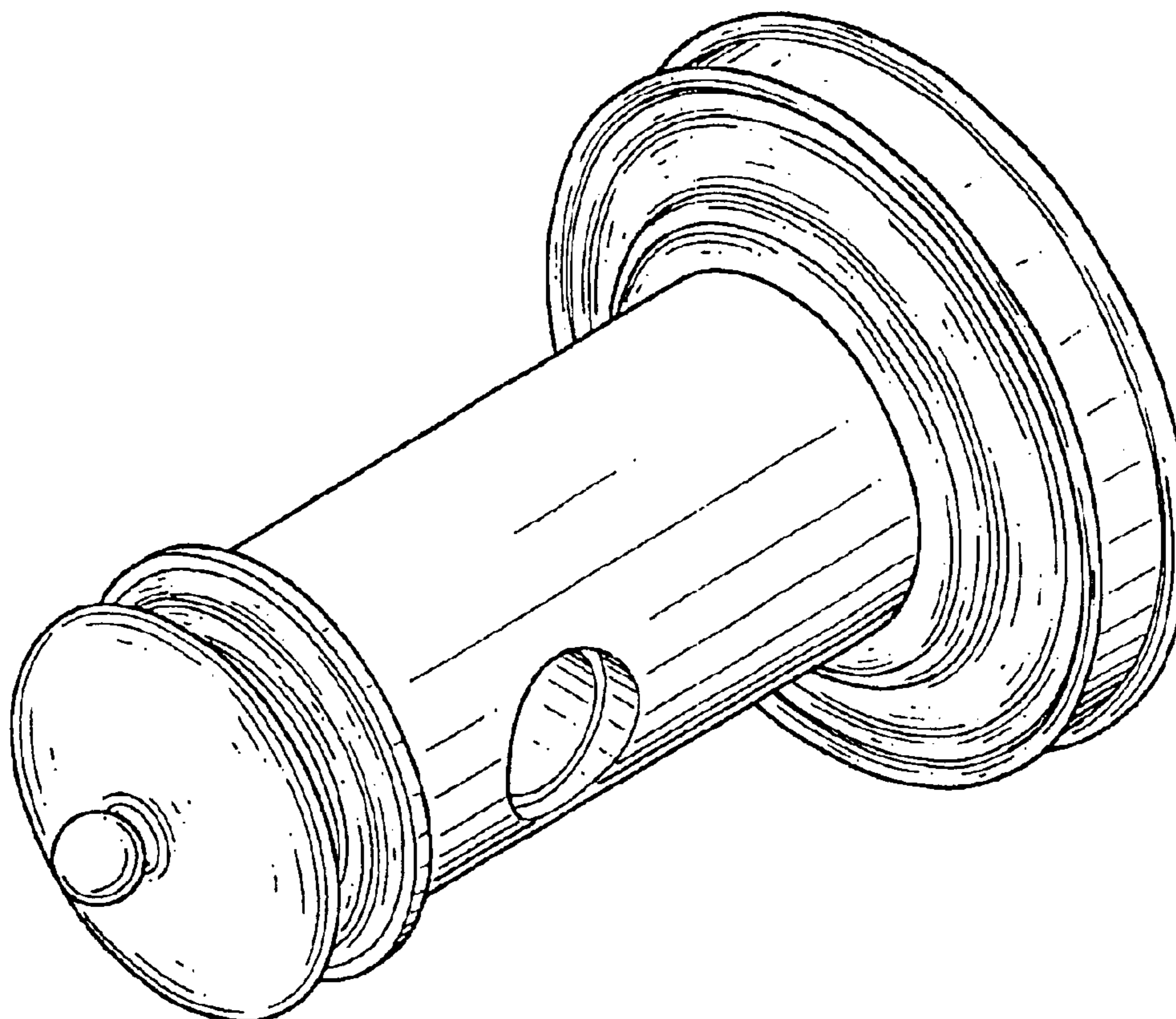
FIG. 1 is a perspective view of a wall mount bracket for bathrooms, showing my new design;  
FIG. 2 is a front elevational view thereof;  
FIG. 3 is a rear elevational view thereof;  
FIG. 4 is a left side elevational view thereof;  
FIG. 5 is a right side elevational view thereof;  
FIG. 6 is a top plan view thereof;  
FIG. 7 is a bottom plan view thereof; and,  
FIG. 8 is an additional perspective view thereof, with the broken-line disclosure of a second bracket, towel, and towel rod being for illustrative purposes only and forming no part of the claimed design.

(56) **References Cited**

**U.S. PATENT DOCUMENTS**

D400,036 S \* 10/1998 Moore et al. .... D6/550

**1 Claim, 5 Drawing Sheets**



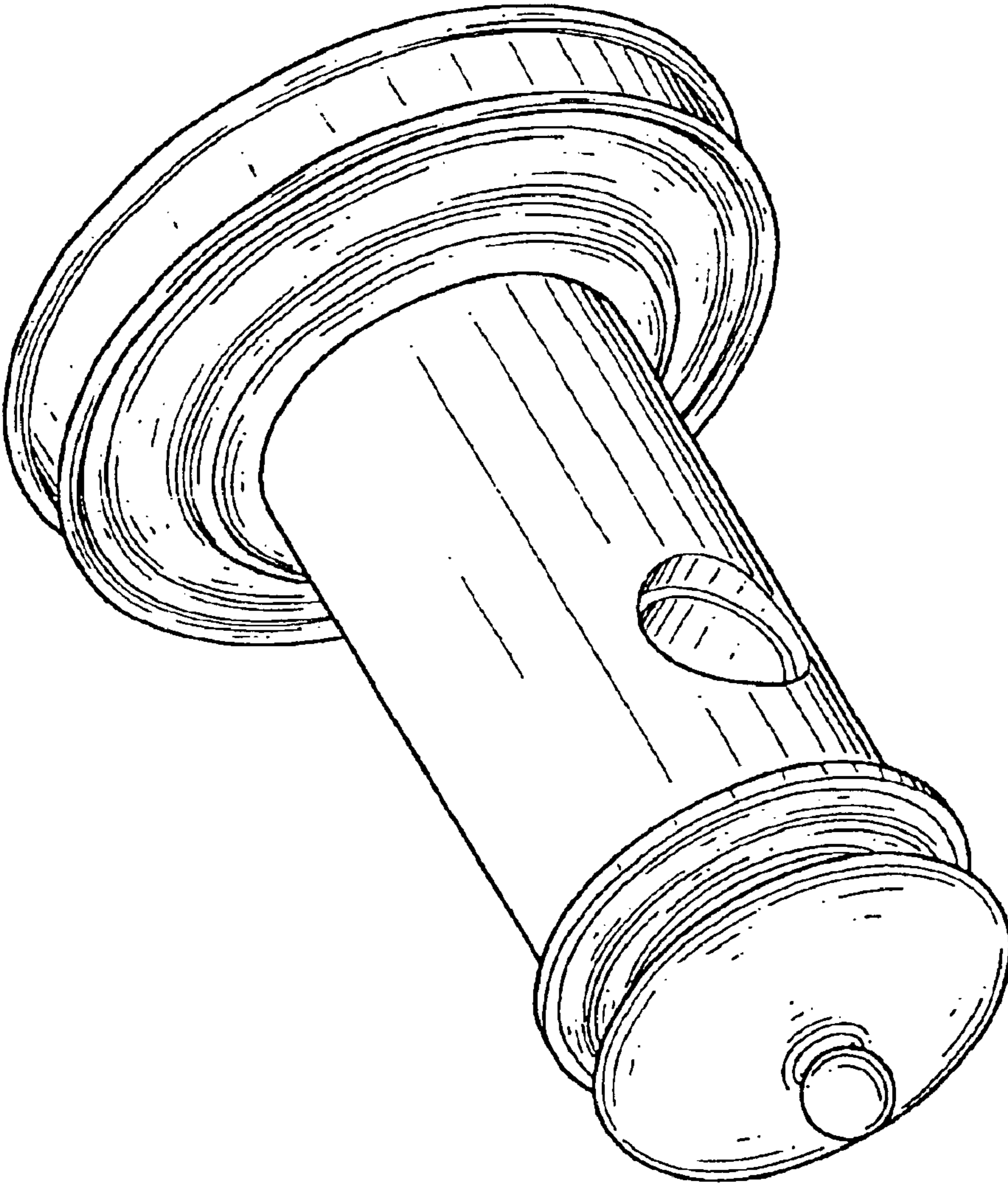


FIG. 1

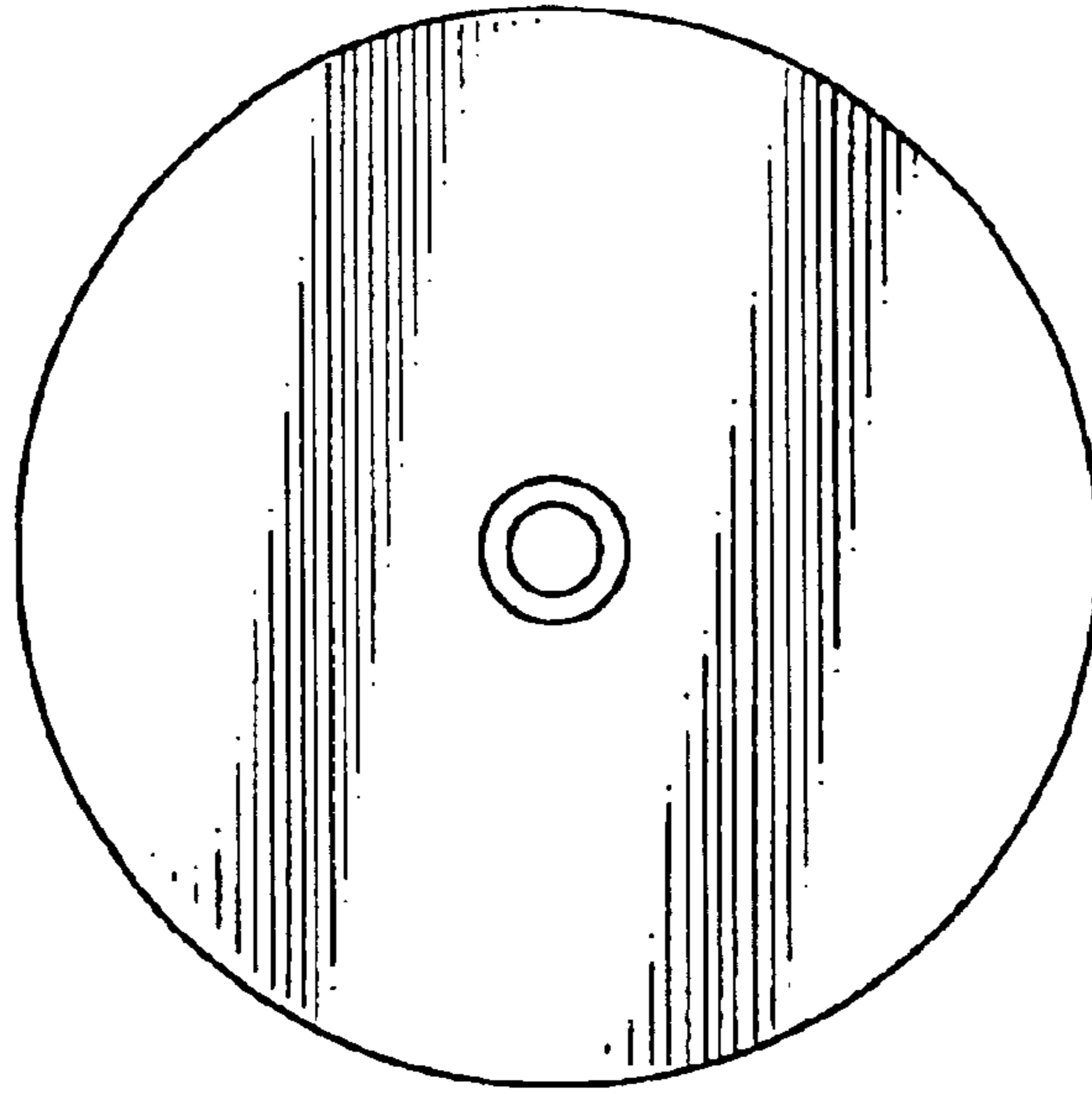


FIG. 3

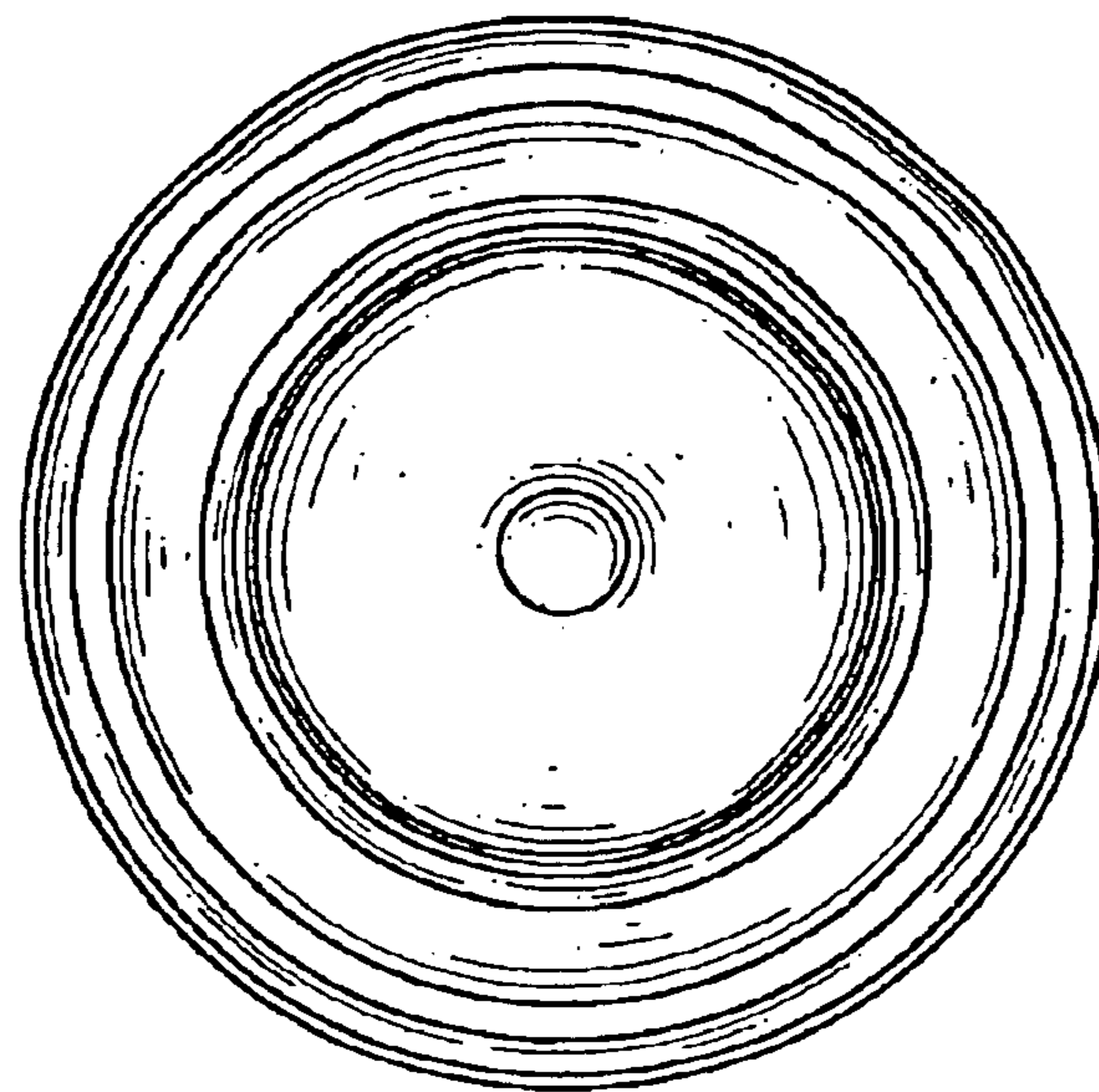


FIG. 2

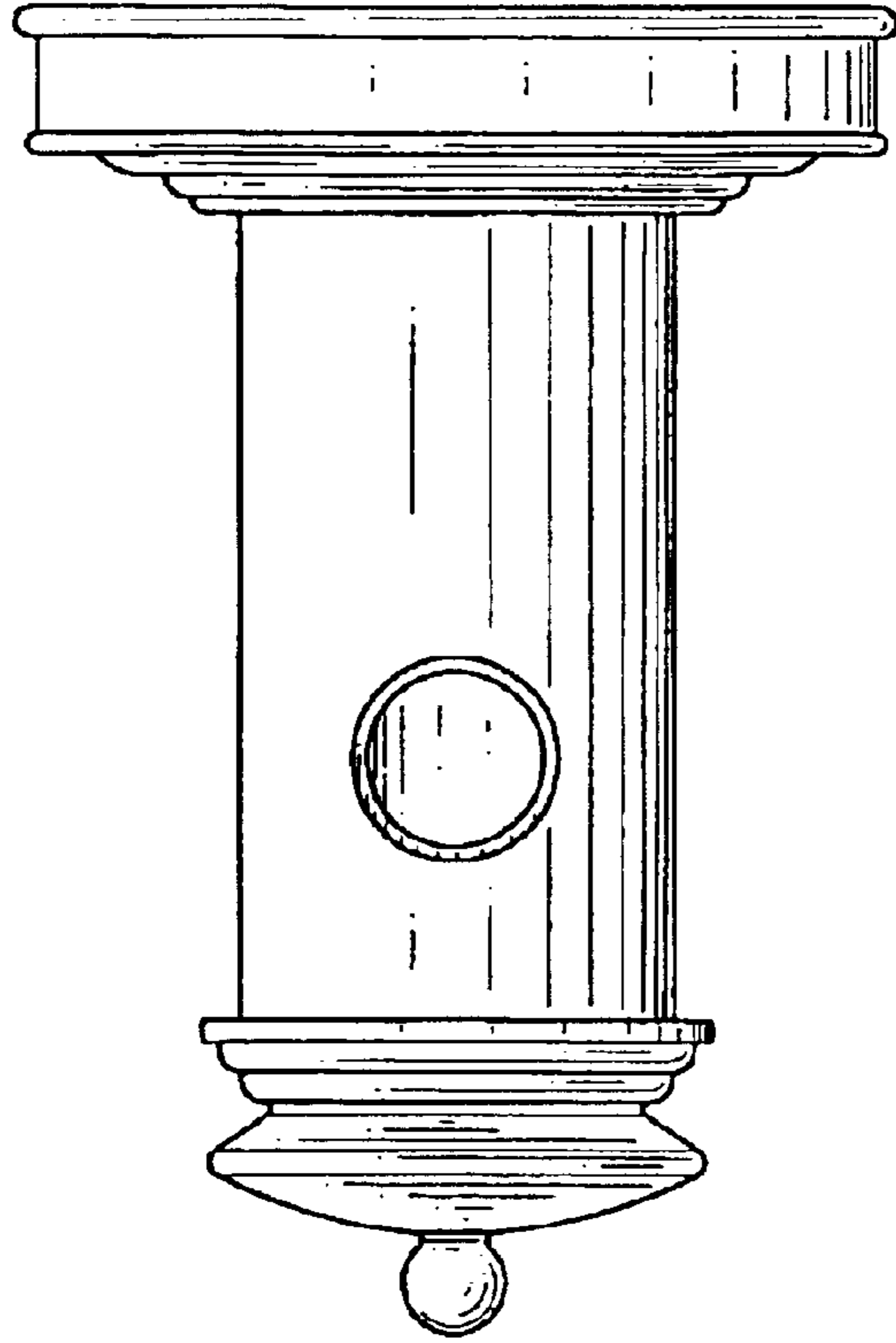


FIG. 5

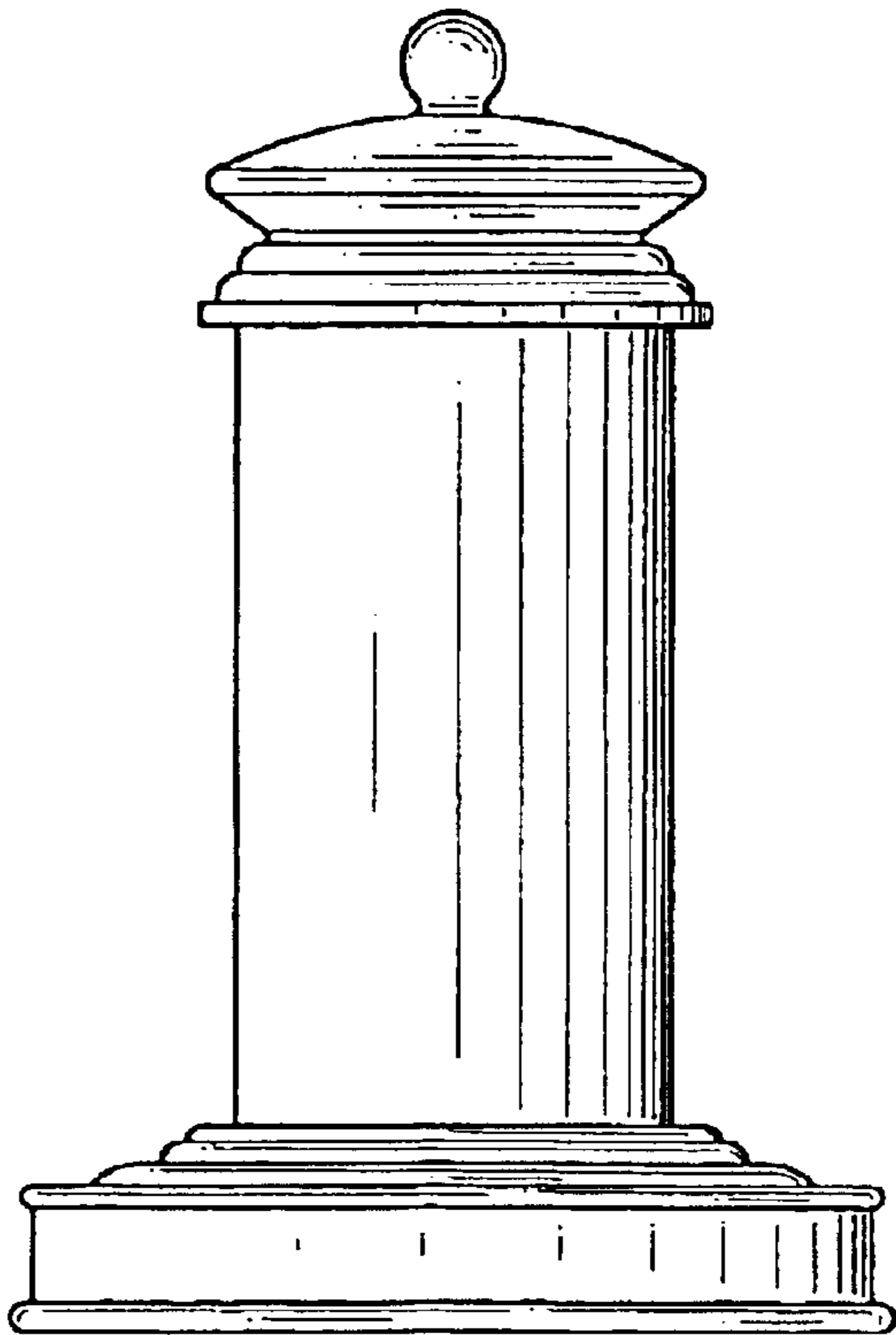


FIG. 4

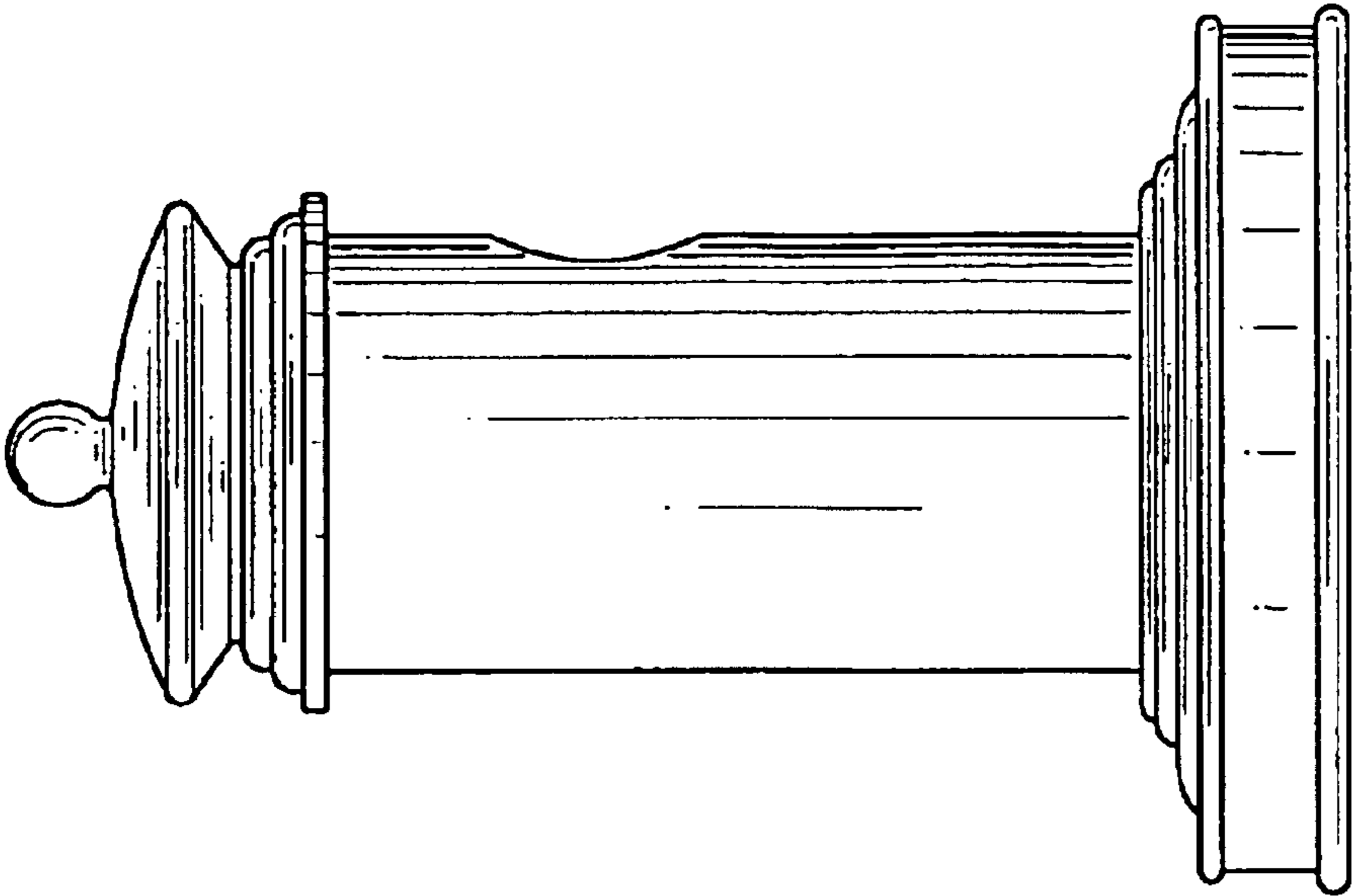


FIG. 7

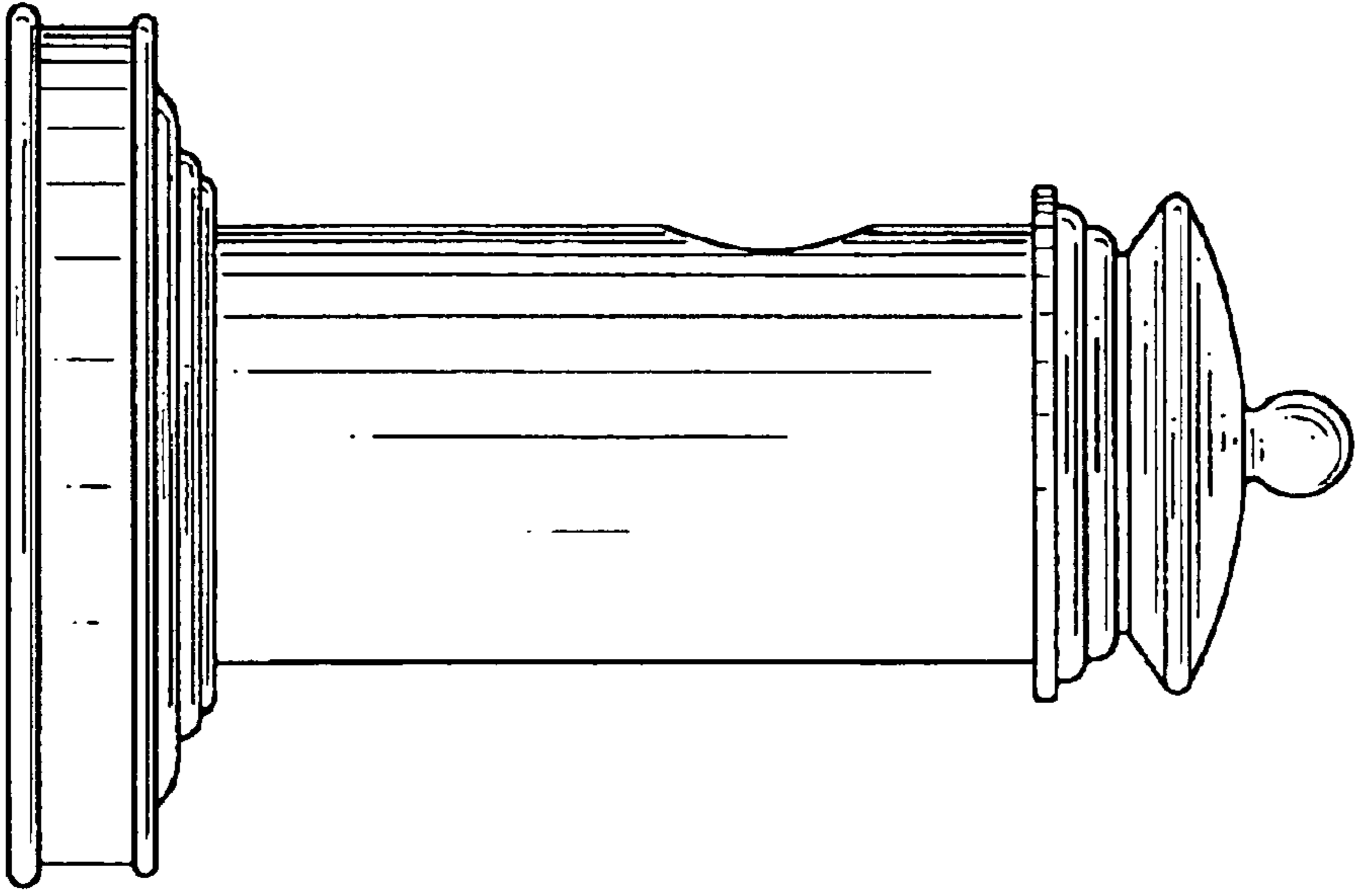


FIG. 6

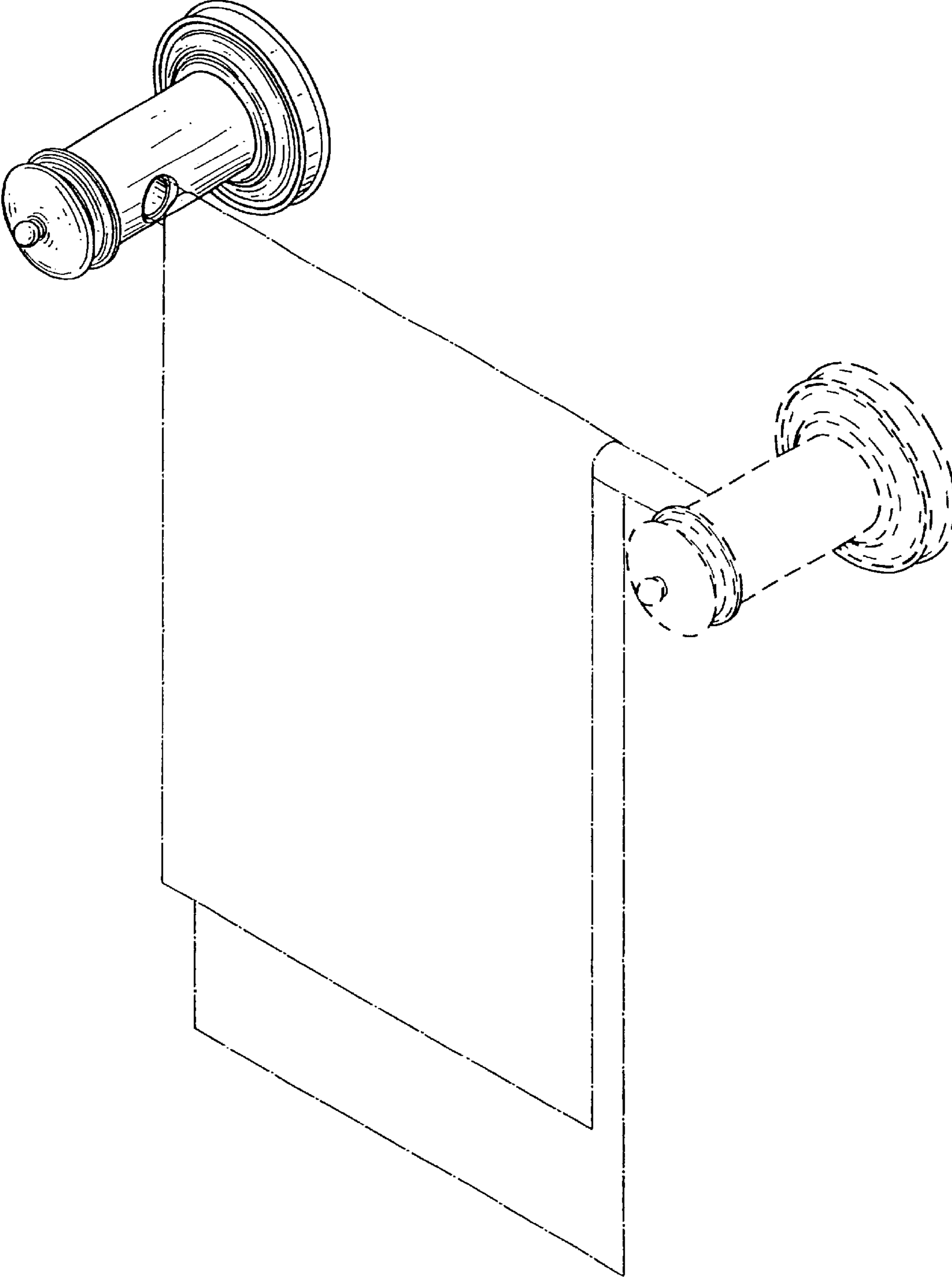


FIG. 8