



US00D498376S

(12) **United States Design Patent**  
**Christopher et al.**

(10) **Patent No.:** **US D498,376 S**  
(45) **Date of Patent:** **\*\* Nov. 16, 2004**

(54) **STORAGE SHELF FOR DISCS AND CARTRIDGES**

5,394,986 A \* 3/1995 Oya et al. .... 206/564 X  
D454,749 S \* 3/2002 Georgiadis et al. .... D6/629  
D476,831 S \* 7/2003 Fulmer ..... D6/467

(76) Inventors: **Georgiadis Christopher**, 55 Peate Avenue, Glen Iris, Victoria 3146 (AU); **Vardouniotis Constantin**, Lot 20, Eden Grove, Narre Warren, Victoria 3805 (AU)

\* cited by examiner

*Primary Examiner*—Cathron C. Brooks  
(74) *Attorney, Agent, or Firm*—Intellectual Property Law Group LLP; Otto O. Lee; Juneko Jackson

(\*\*) Term: **14 Years**

(57) **CLAIM**

(21) Appl. No.: **29/173,564**

The ornamental design for storage shelf for discs and cartridges, as shown and described.

(22) Filed: **Dec. 31, 2002**

**DESCRIPTION**

(51) **LOC (7) Cl.** ..... **06-06**

(52) **U.S. Cl.** ..... **D6/511; D6/629**

(58) **Field of Search** ..... D6/408, 467, 468, D6/469, 473, 474, 475, 476, 477–479, 511, 629; 108/59, 91, 93, 106, 147.12, 147.13; 211/85.4, 49.1, 74, 183, 187, 188, 203; 206/562–564; 220/513–516

FIG. 1 is the front perspective view of the storage shelf showing our invention, with the shelf shown broken to indicate indeterminate length, it being understood that the design continues uniformly along its length.

FIG. 2 is a reduced front perspective view of the storage shelf showing our invention, with the shelf shown with further breaks to indicate a longer indeterminate length.

FIG. 3 is an enlarged top plan view of FIG. 1.

FIG. 4 is an enlarged side view of FIG. 1.

FIG. 5 is an enlarged front view of FIG. 1.

FIG. 6 is an enlarged rear view of FIG. 1; and,

FIG. 7 is an enlarged rear view of FIG. 1.

(56) **References Cited**

**U.S. PATENT DOCUMENTS**

5,027,955 A \* 7/1991 Shoemaker, Jr. et al. .... 211/40  
D321,291 S \* 11/1991 Shoemaker, Jr. et al. .... D6/407  
5,333,741 A \* 8/1994 Yang ..... 211/40  
5,346,078 A \* 9/1994 Ernetoft ..... 211/90.01

**1 Claim, 7 Drawing Sheets**

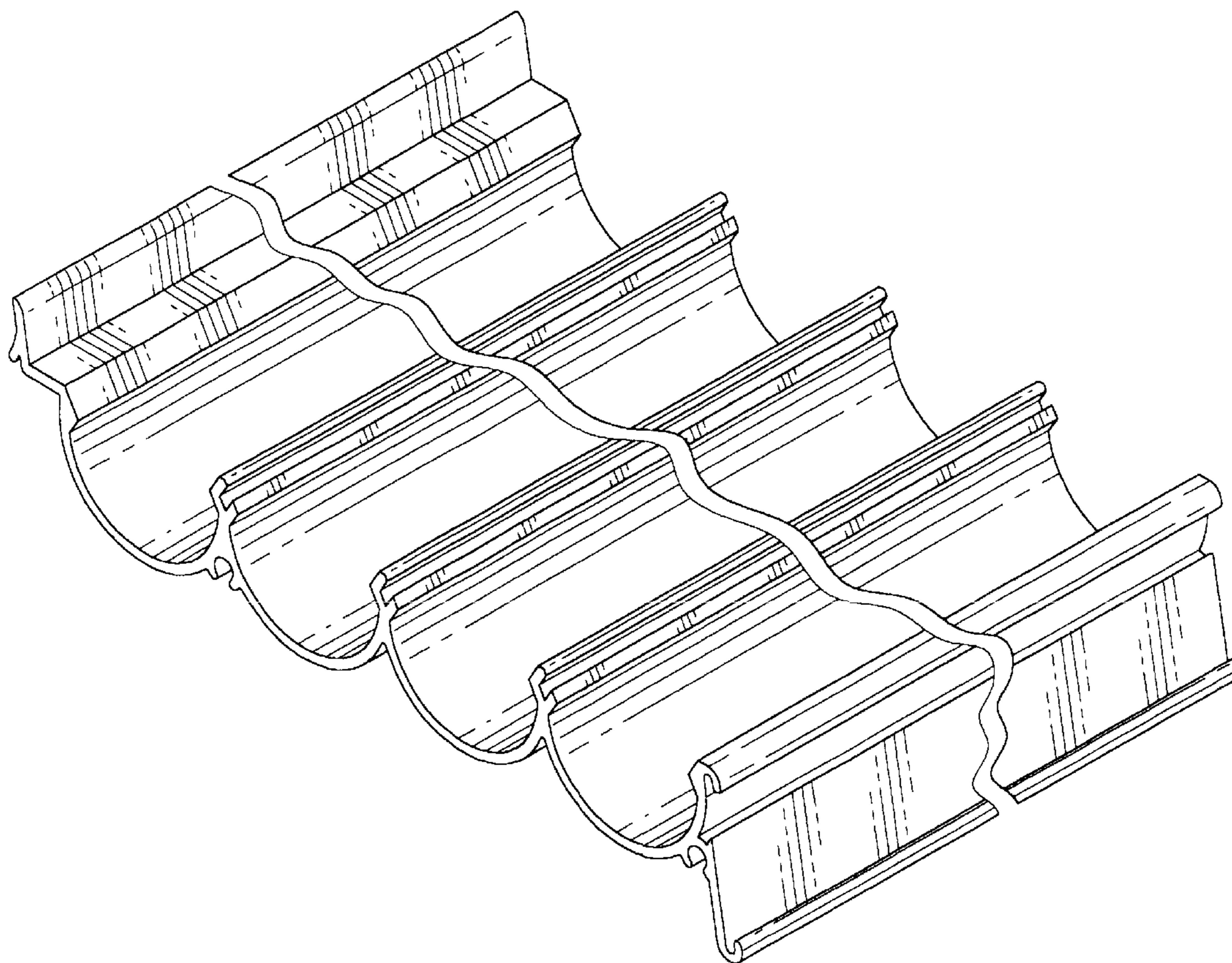
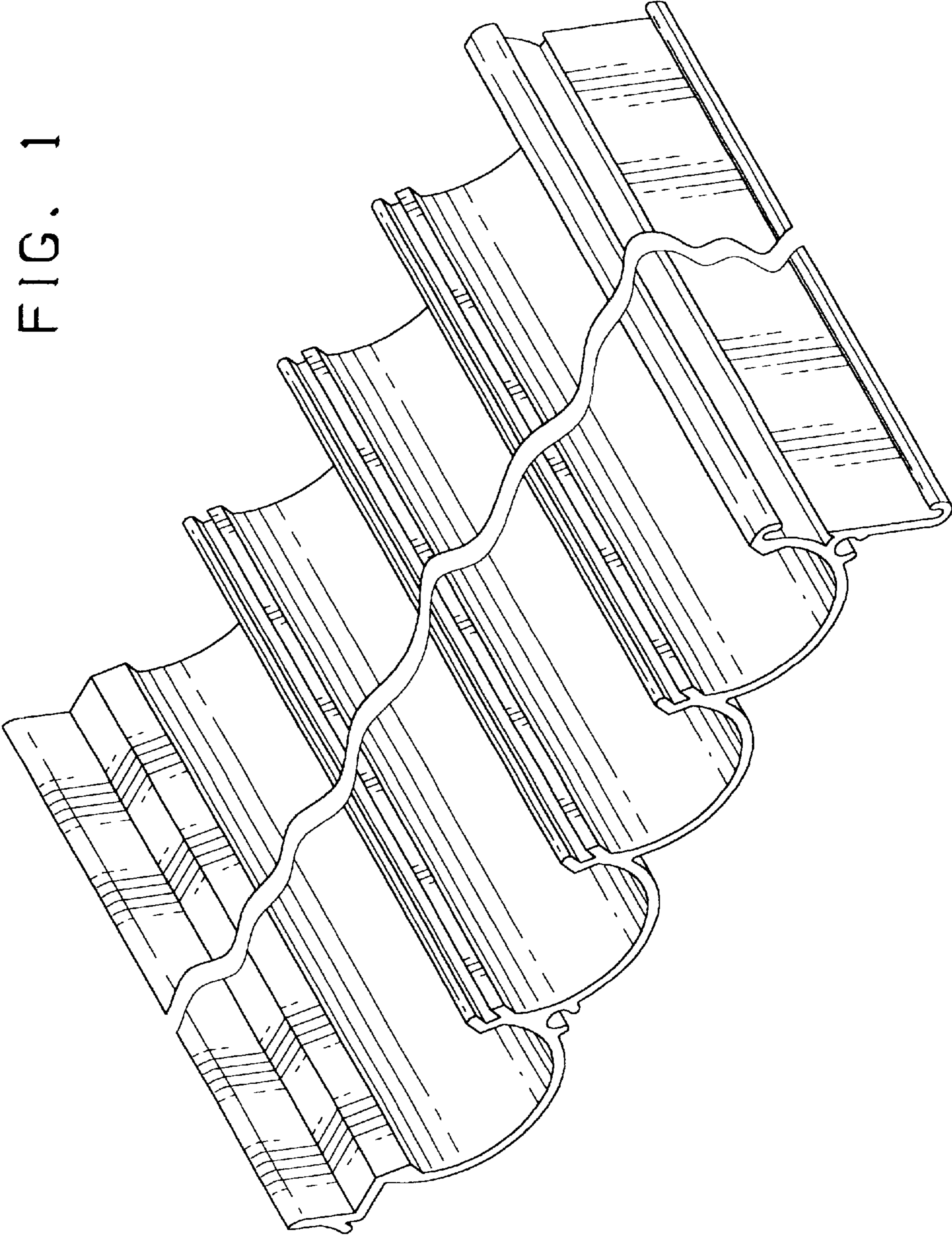


FIG. 1



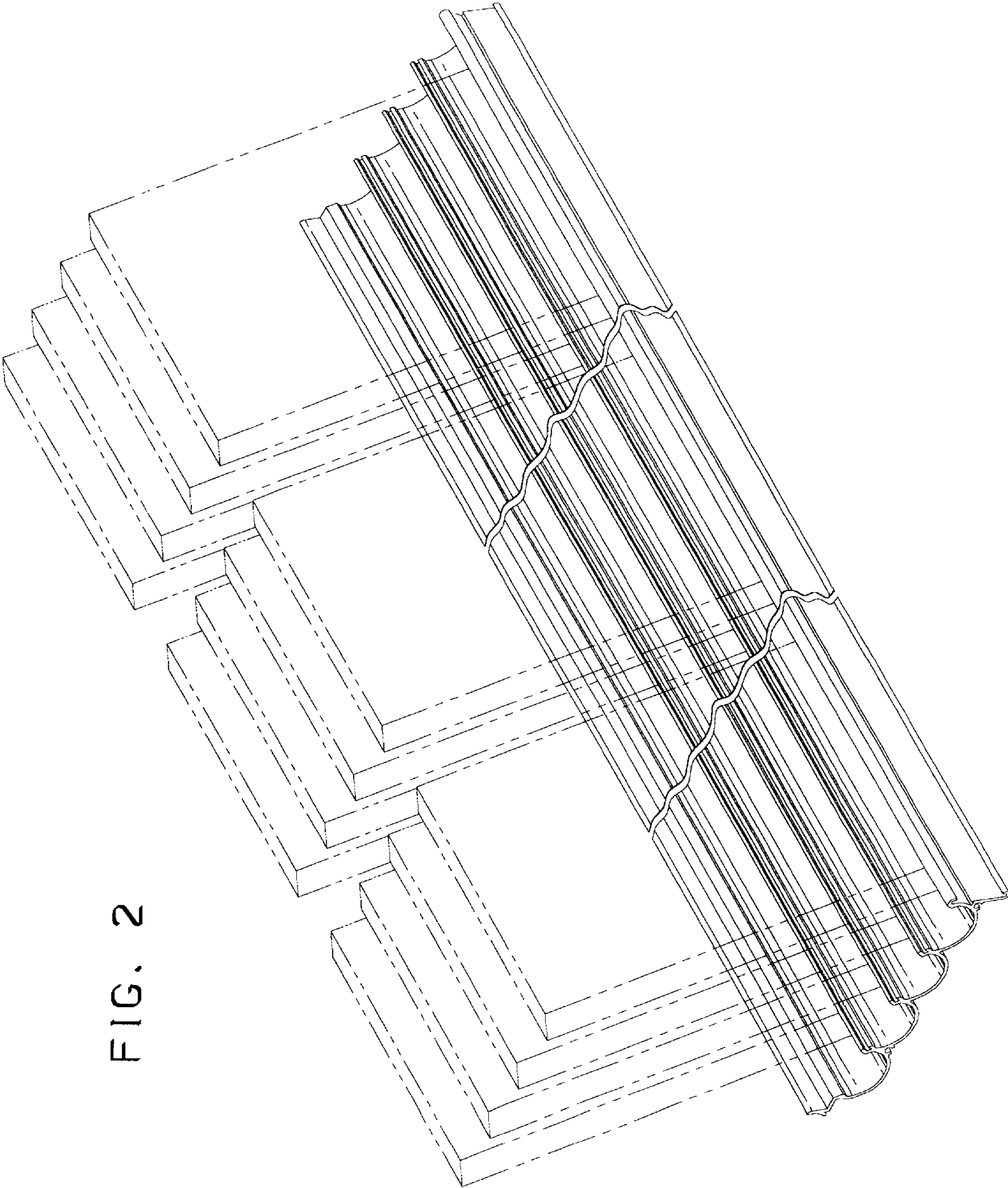


FIG. 2

FIG. 3

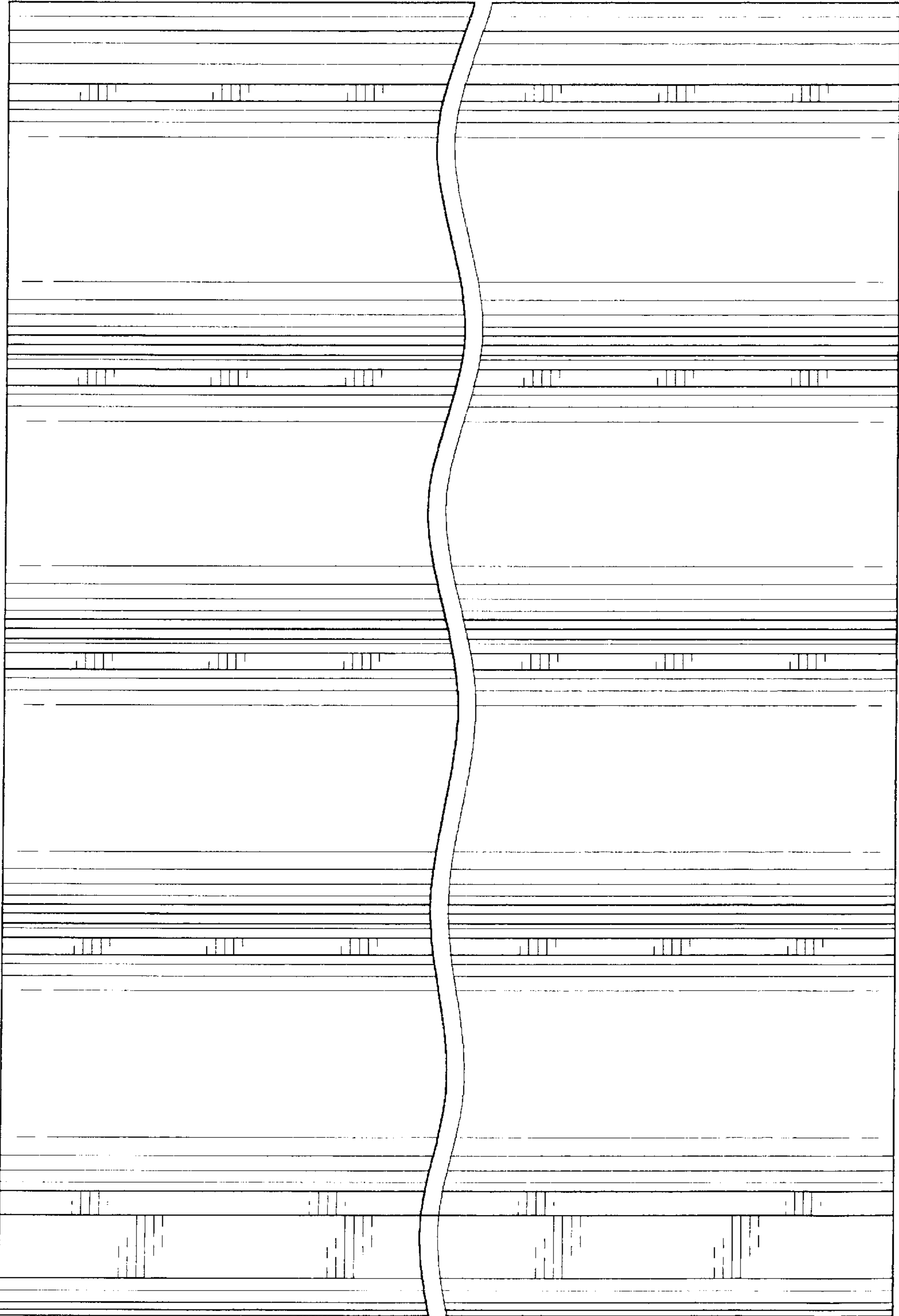


FIG. 4

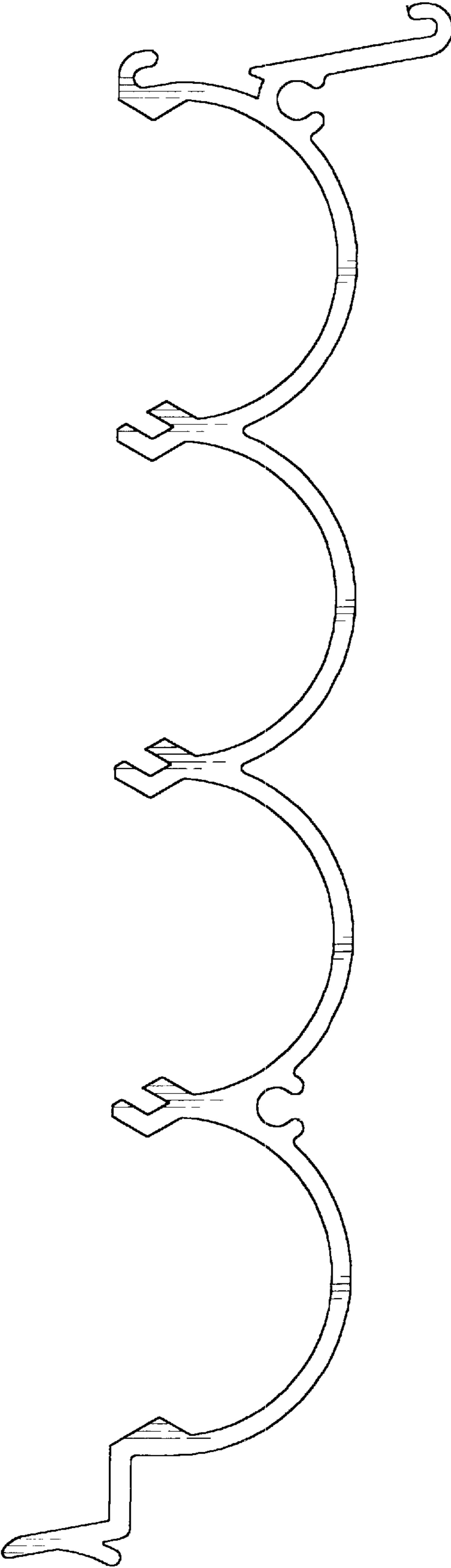


FIG. 5

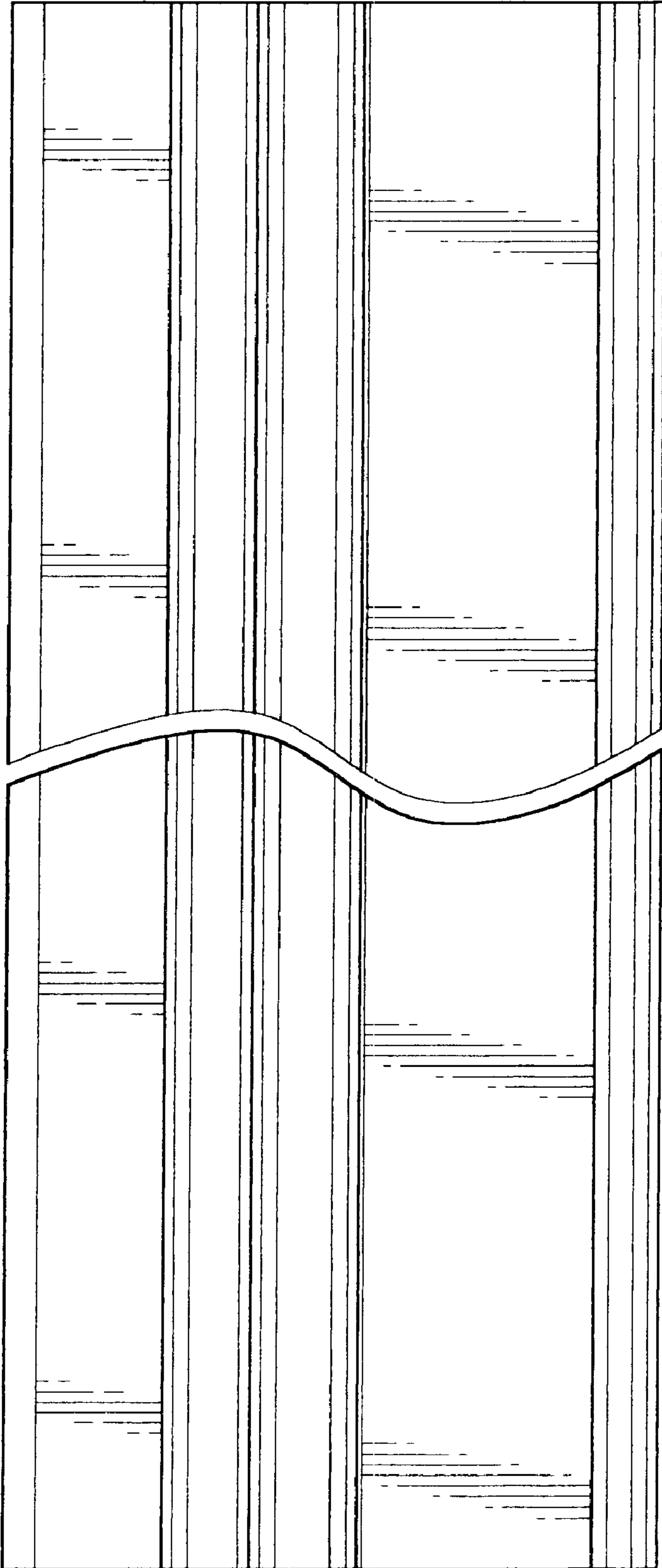


FIG. 6

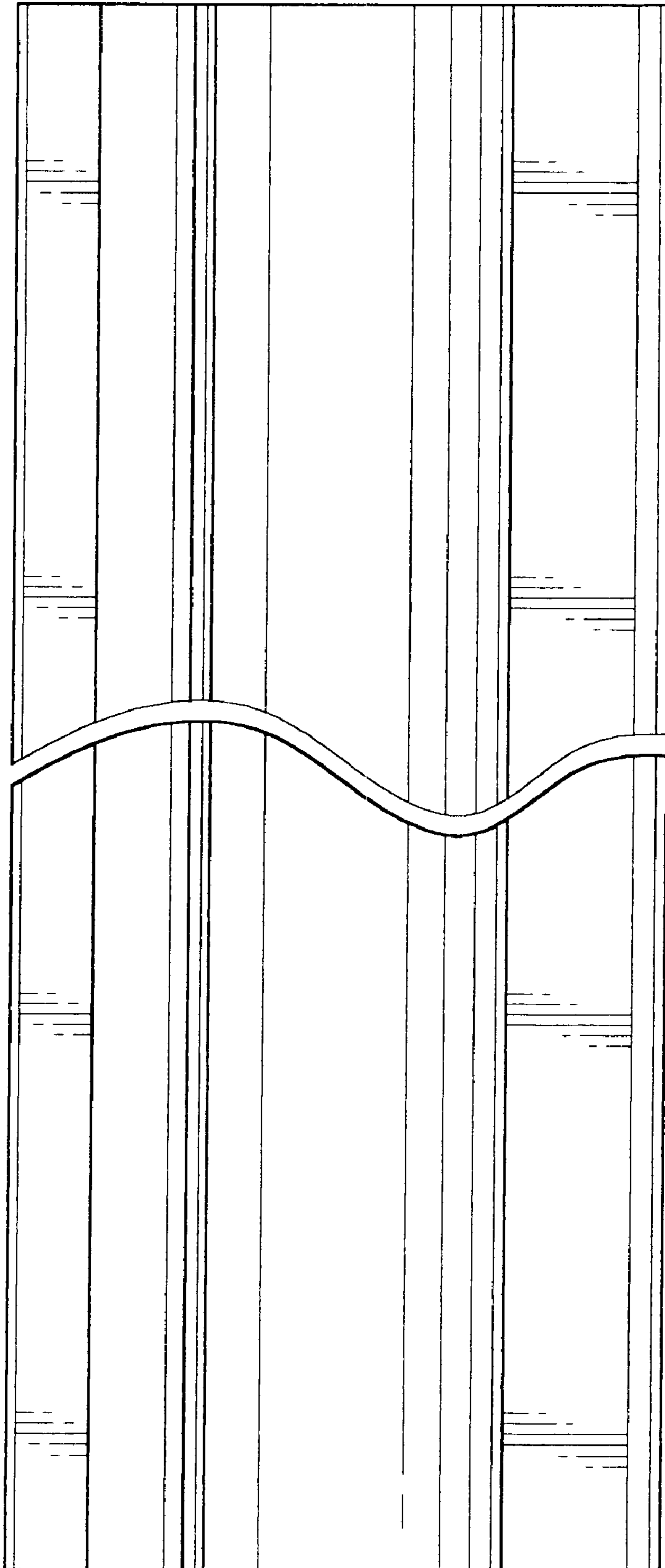


FIG. 7

